



US00D324088S

United States Patent [19]

[11] Patent Number: Des. 324,088

Van Note

[45] Date of Patent: ** Feb. 18, 1992

[54] **ADJUSTABLE PUSH-UP BENCH**

[76] Inventor: Vincent E. Van Note, 4750 Gibson Cir. Lot #5E, Tile, Fla. 33905

[**] Term: 14 Years

[21] Appl. No.: 420,222

[22] Filed: Oct. 12, 1989

[52] U.S. Cl. D21/191

[58] Field of Search D21/191-199;
D6/464, 349, 355, 462; 272/144, 143, 93, 125

[56] **References Cited**

U.S. PATENT DOCUMENTS

- D. 290,201 6/1987 Wilder D6/464
- D. 316,203 4/1991 Chao D6/601

- D. 317,031 5/1991 Ceppo D21/191
- 4,856,775 8/1989 Colledge et al. 272/144

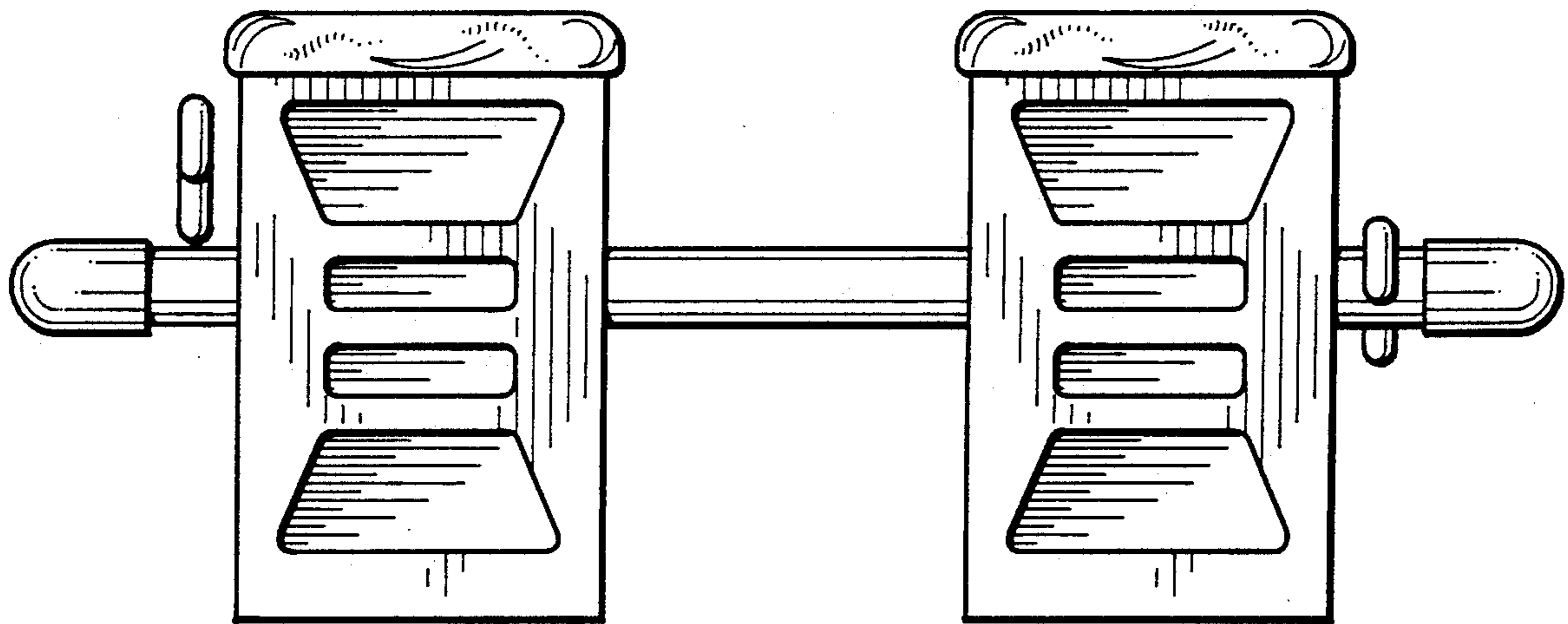
Primary Examiner—Charles A. Rademaker
Attorney, Agent, or Firm—Leon Gildea

[57] **CLAIM**

The ornamental design for an adjustable push-up bench, as shown and described.

DESCRIPTION

FIG. 1 is a front elevational view of an adjustable push-up bench showing my new design;
 FIG. 2 is a rear elevational view thereof;
 FIG. 3 is a left side elevational view thereof;
 FIG. 4 is a right side elevational view thereof;
 FIG. 5 is a top plan view thereof; and
 FIG. 6 is a bottom plan view thereof.



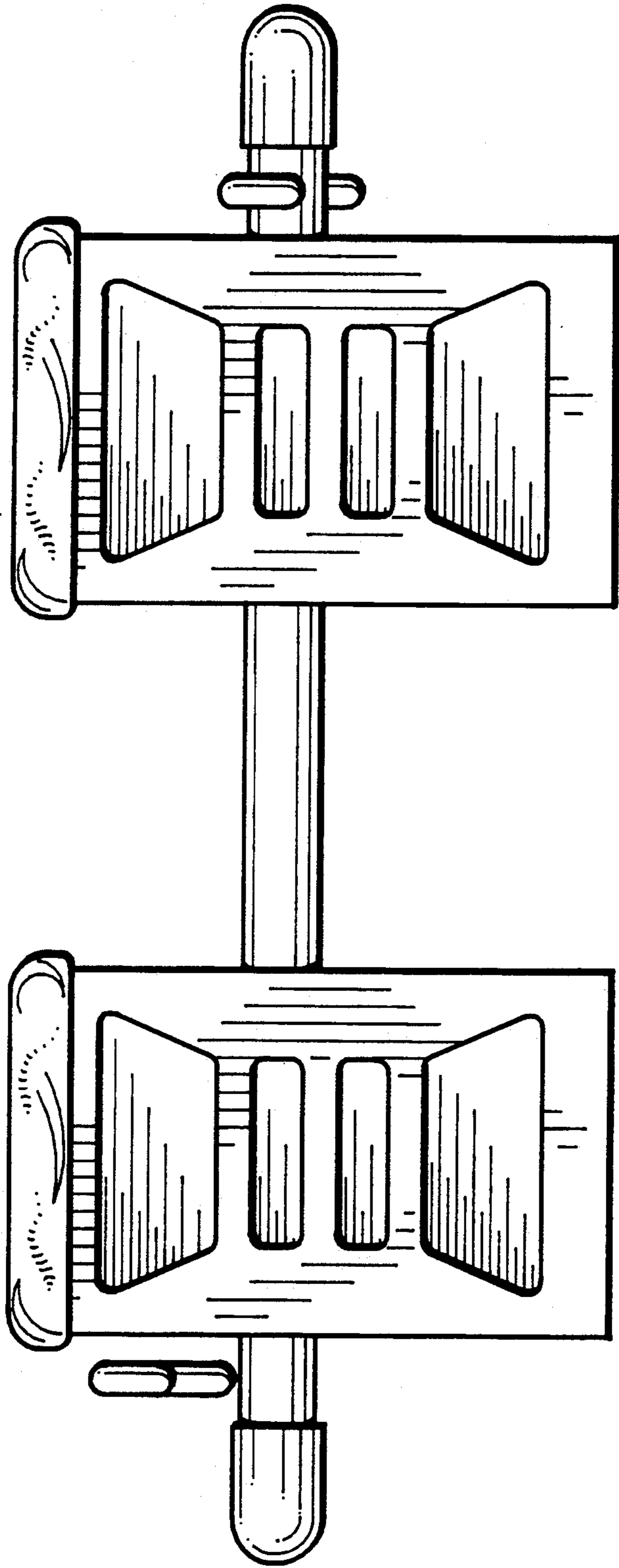


Fig. 1

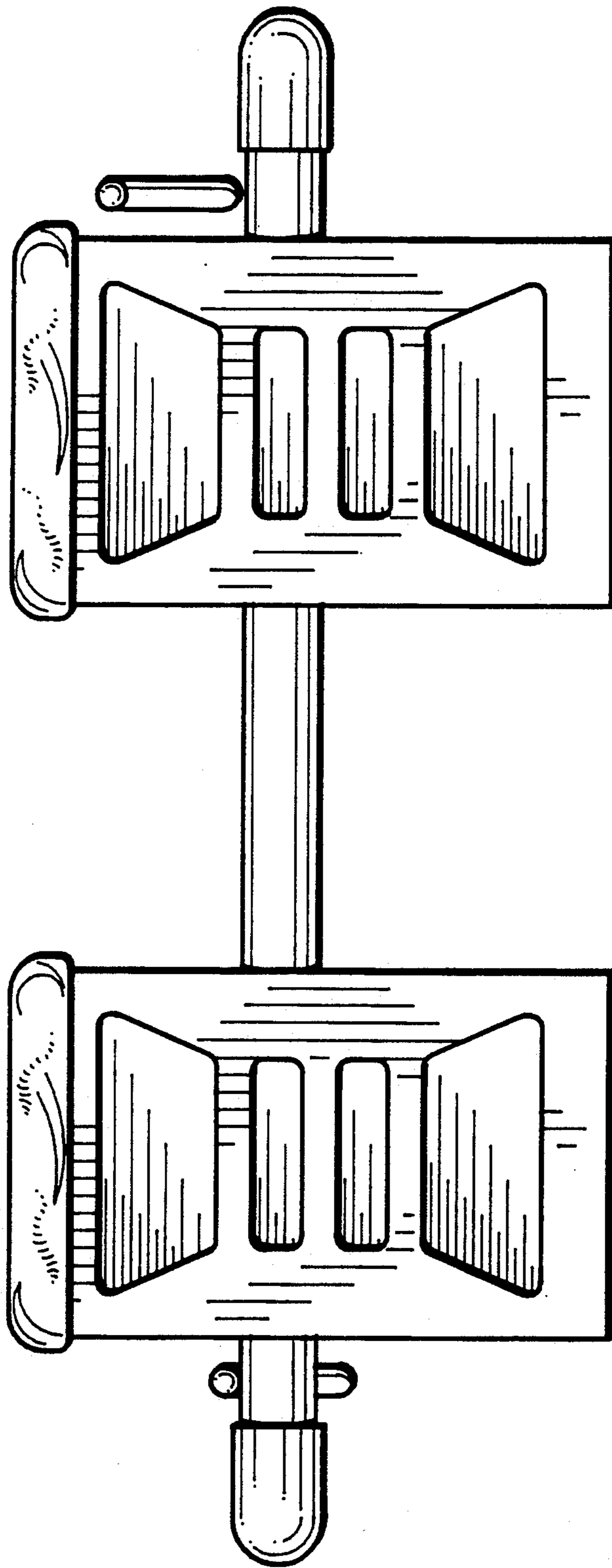


Fig. 2

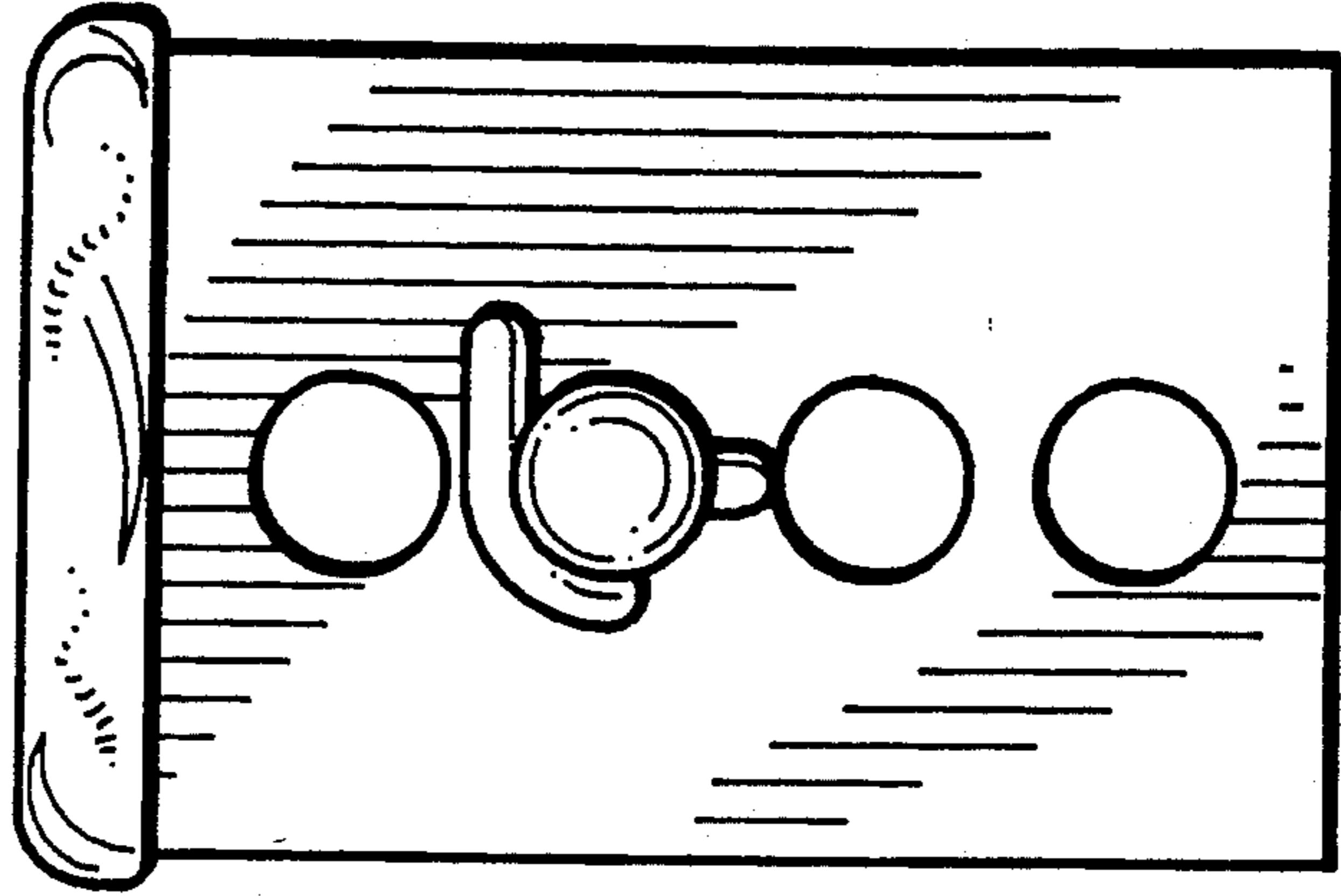


Fig. 4

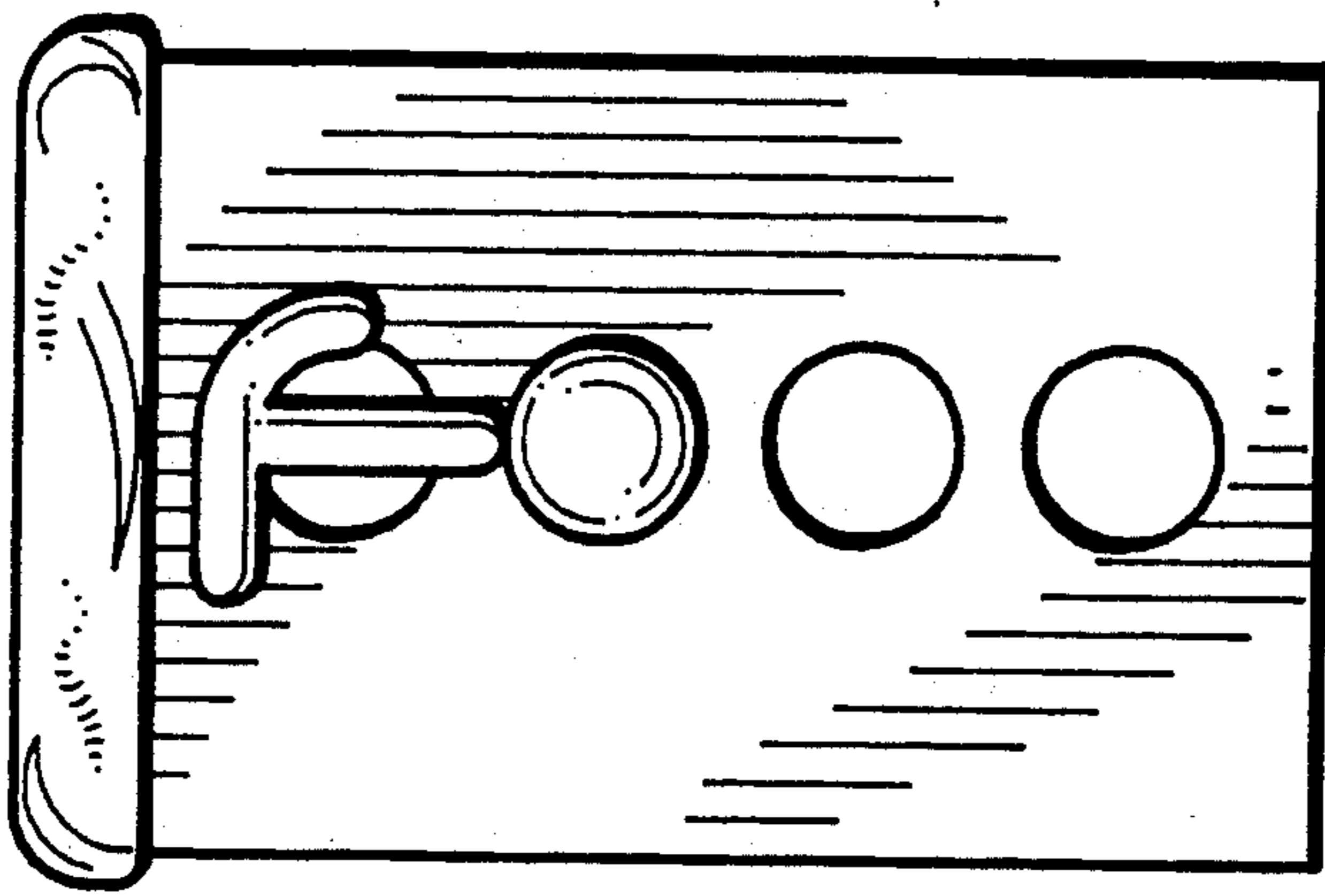


Fig. 3

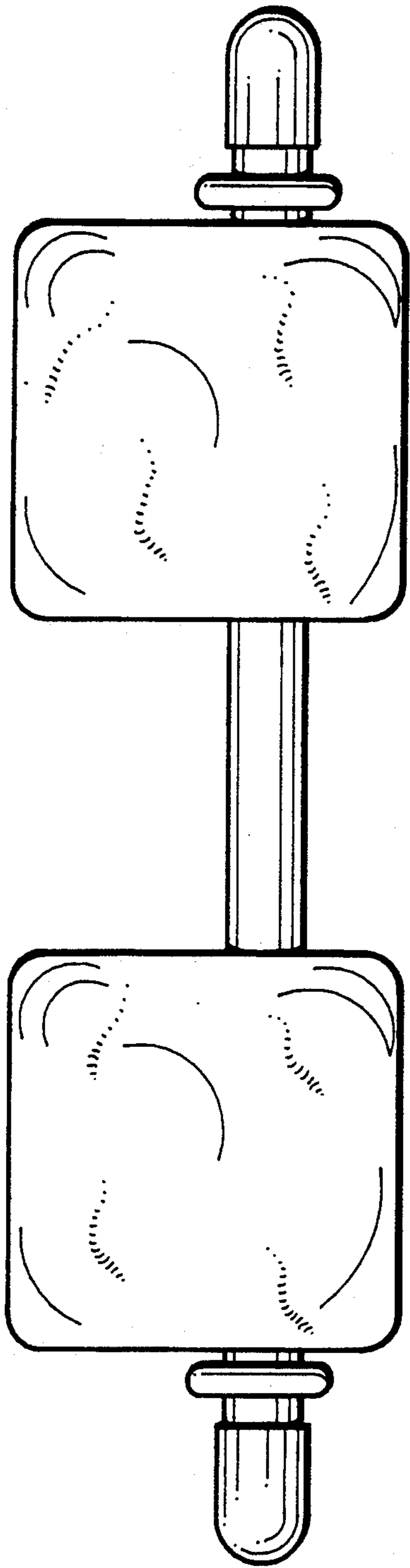


Fig. 5

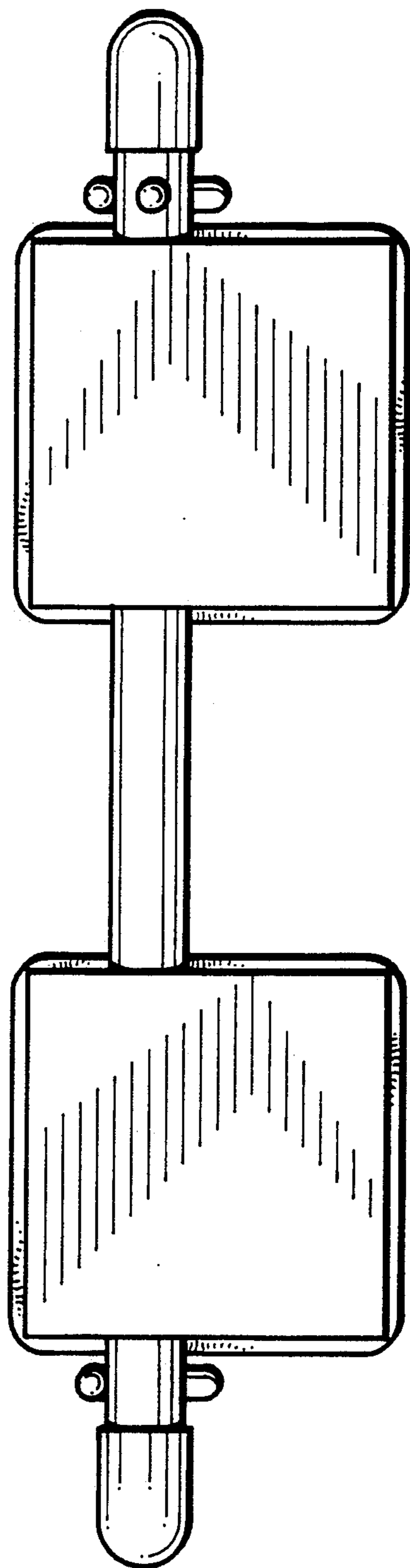


Fig. 6