



US00D324085S

United States Patent [19]
Morton

[11] **Patent Number: Des. 324,085**
[45] **Date of Patent: ** Feb. 18, 1992**

[54] **TOY BOX**

[75] **Inventor: Kenneth P. Morton, East Aurora, N.Y.**

[73] **Assignee: The Quaker Oats Company, Chicago, Ill.**

[**] **Term: 14 Years**

[21] **Appl. No.: 407,458**

[22] **Filed: Sep. 14, 1989**

[52] **U.S. Cl. D21/109; D21/59**

[58] **Field of Search D21/59, 109; 446/75, 446/491, 483; D9/414, 420, 422**

[56] **References Cited**

U.S. PATENT DOCUMENTS

244,132 7/1881 Ireland 446/483

D. 286,658 11/1986 Veness D21/109
2,977,688 4/1961 Redey 446/75
4,781,120 11/1988 Farrow et al. 446/75

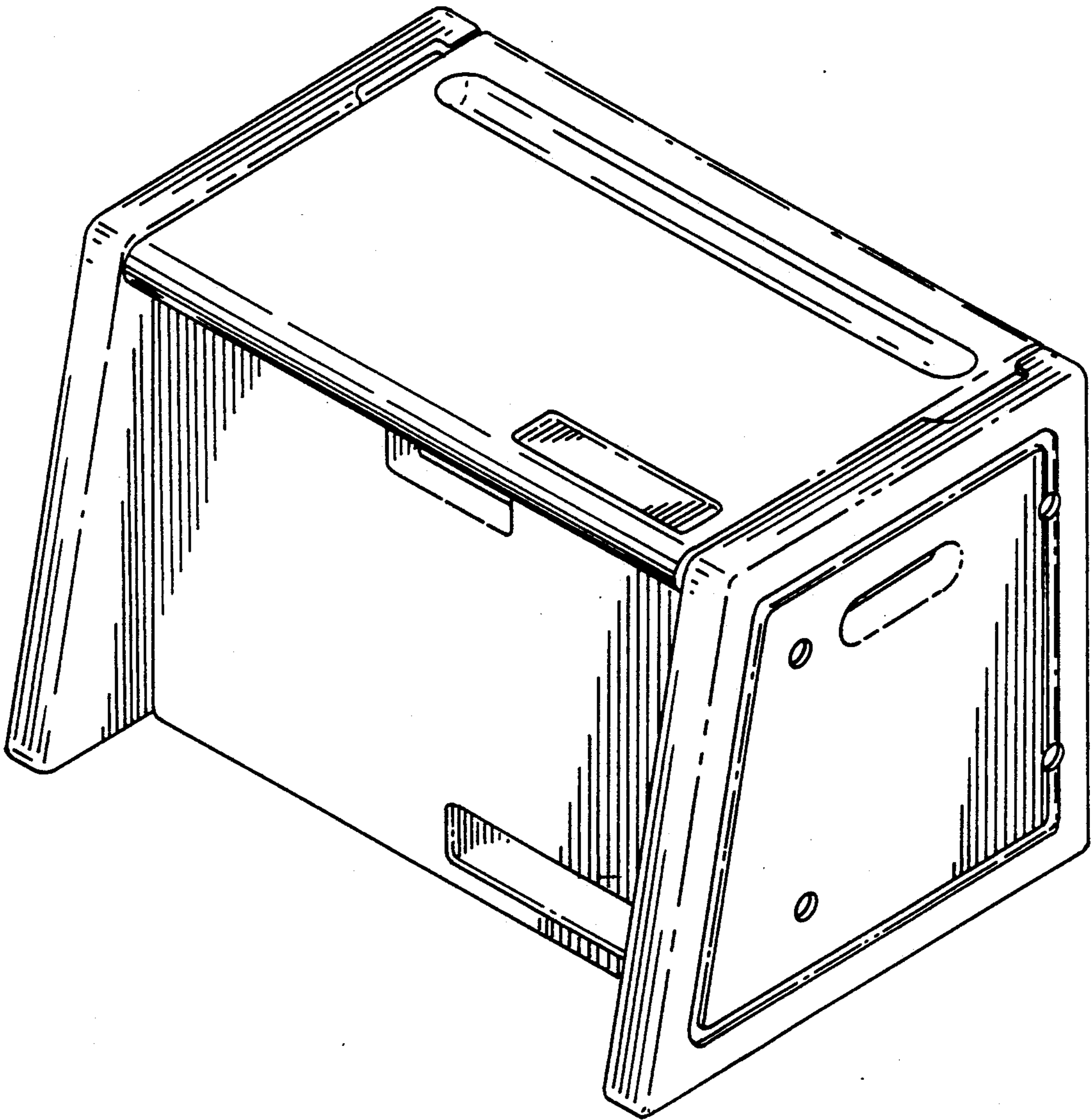
Primary Examiner—Charles A. Rademaker
Attorney, Agent, or Firm—Cumpston & Shaw

[57] **CLAIM**

The ornamental design for a toy box, as shown and described.

DESCRIPTION

FIG. 1 is a right side top perspective view of a toy box showing my new design;
FIG. 2 is a front elevational view thereof;
FIG. 3 is a rear elevational view thereof;
FIG. 4 is a left side elevational view thereof;
FIG. 5 is a right side elevational view thereof;
FIG. 6 is a top plan view thereof; and
FIG. 7 is a bottom plan view thereof.



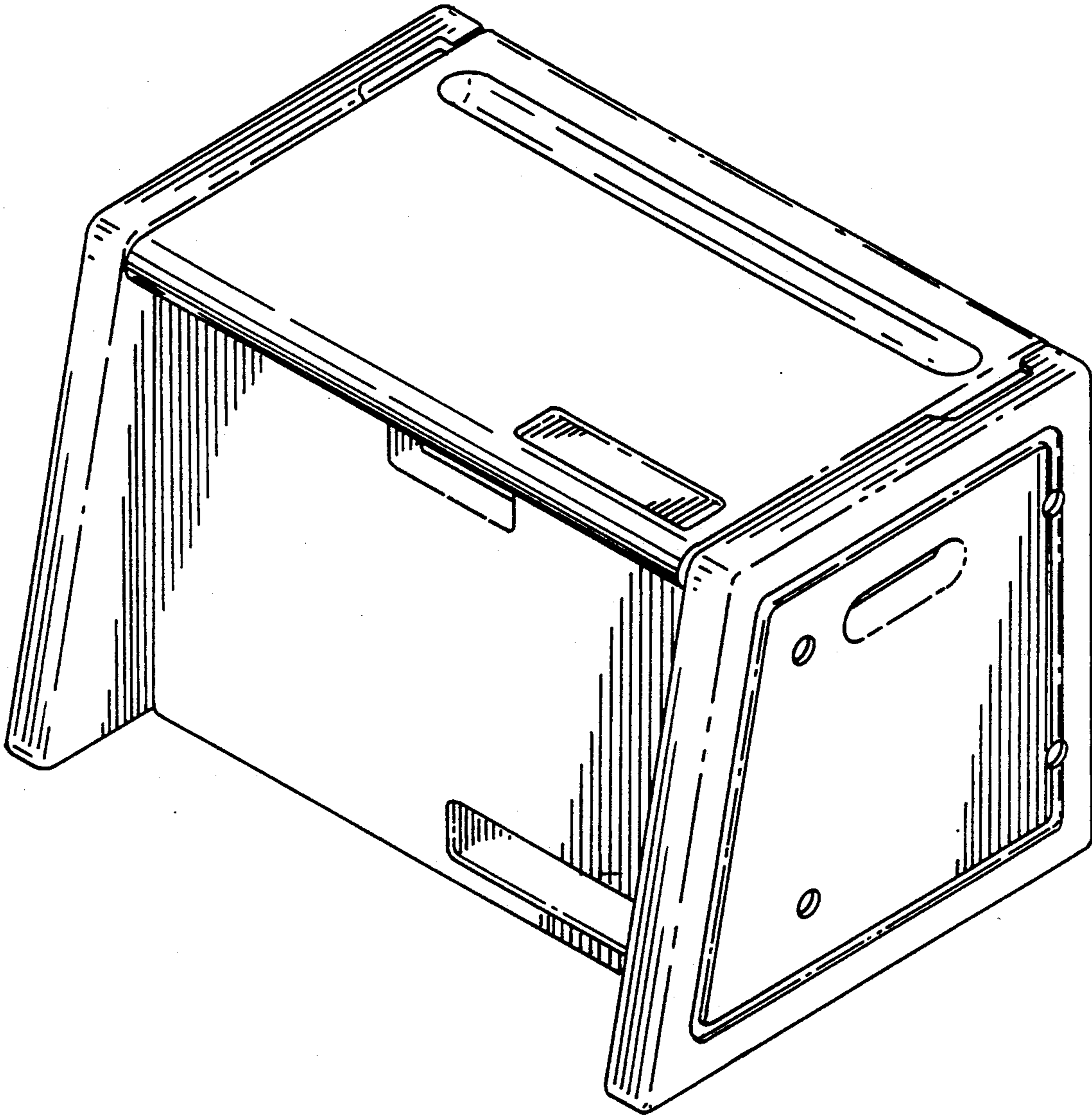


FIG. 1

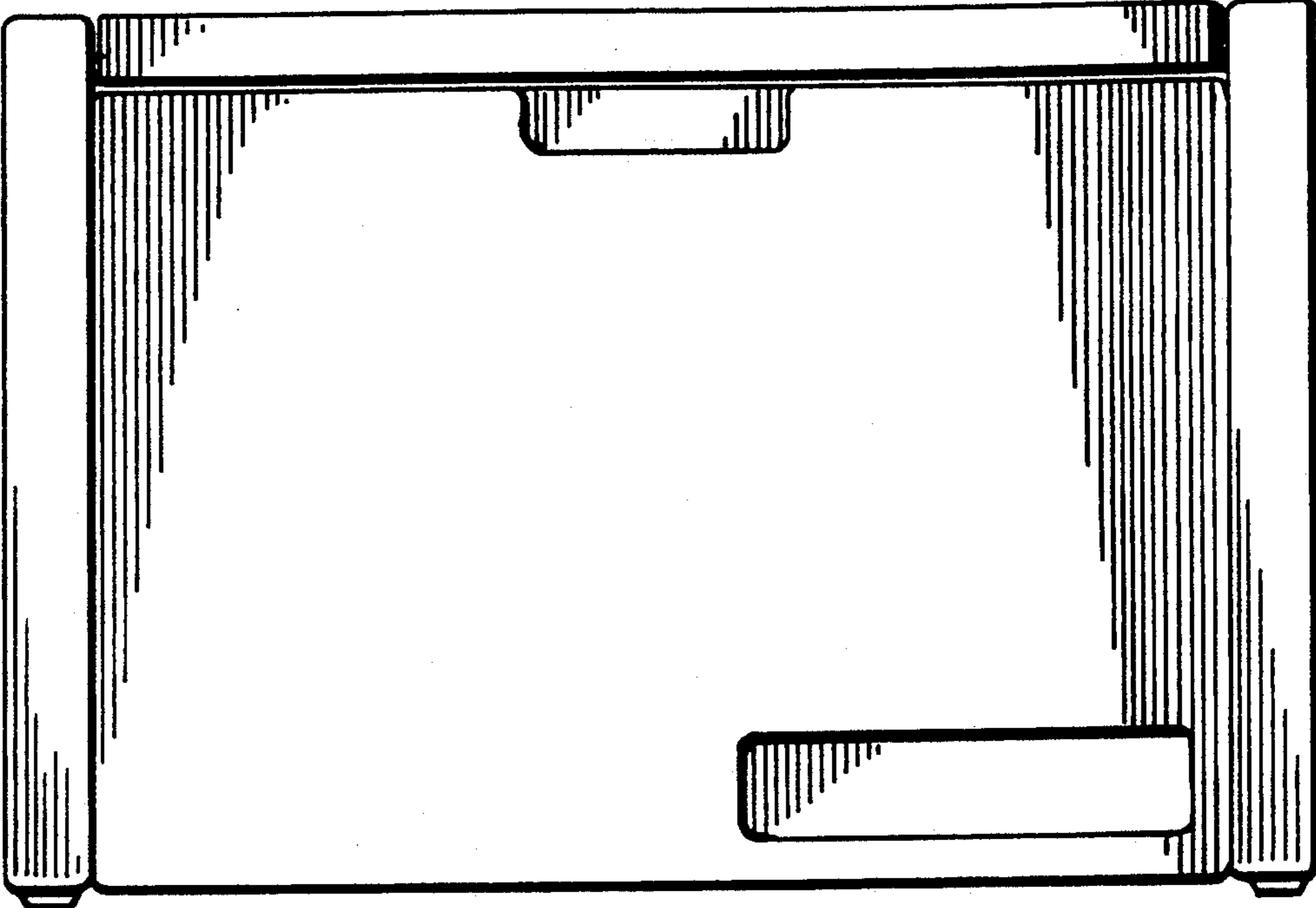


FIG. 2

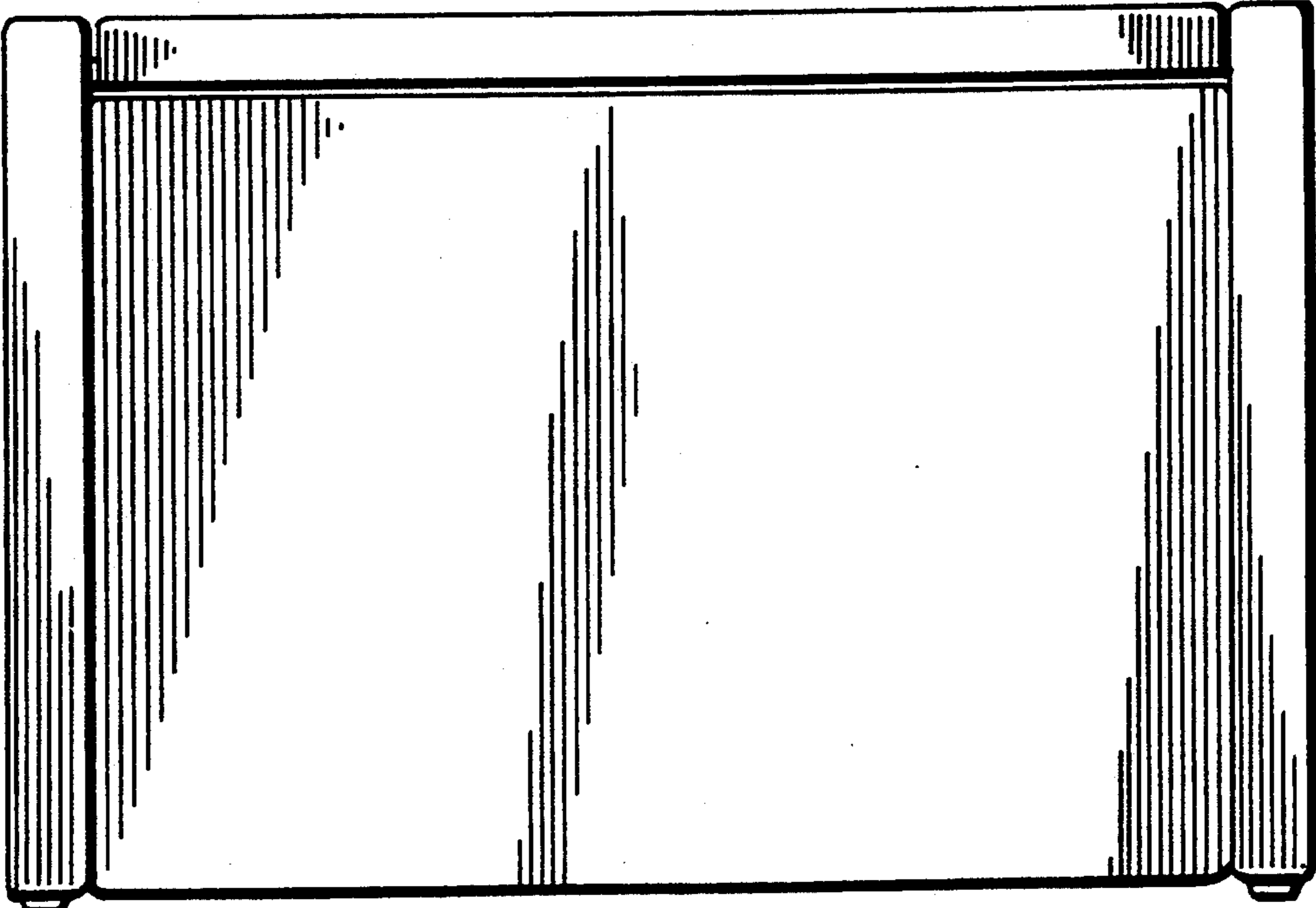


FIG. 3

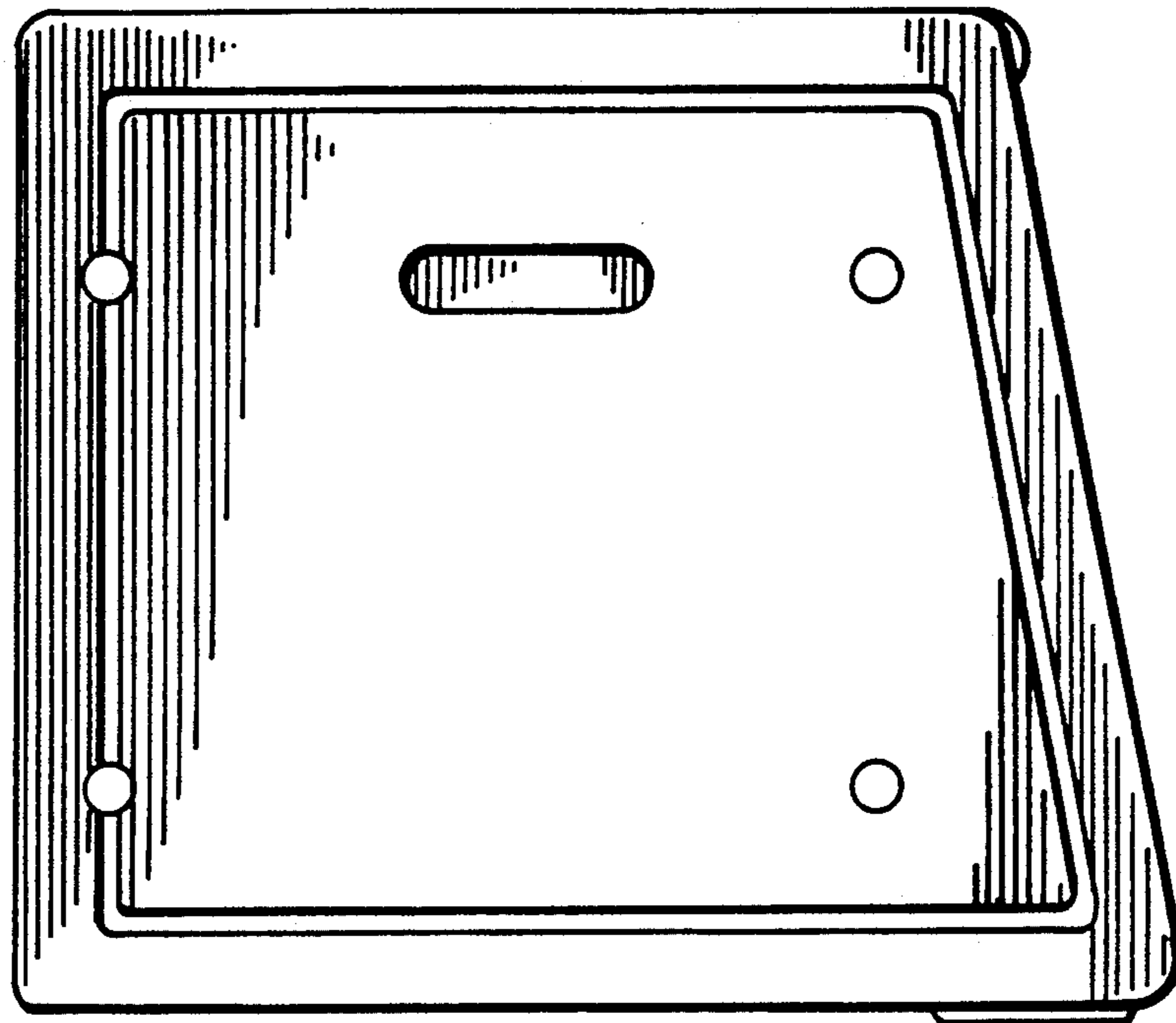


FIG. 4

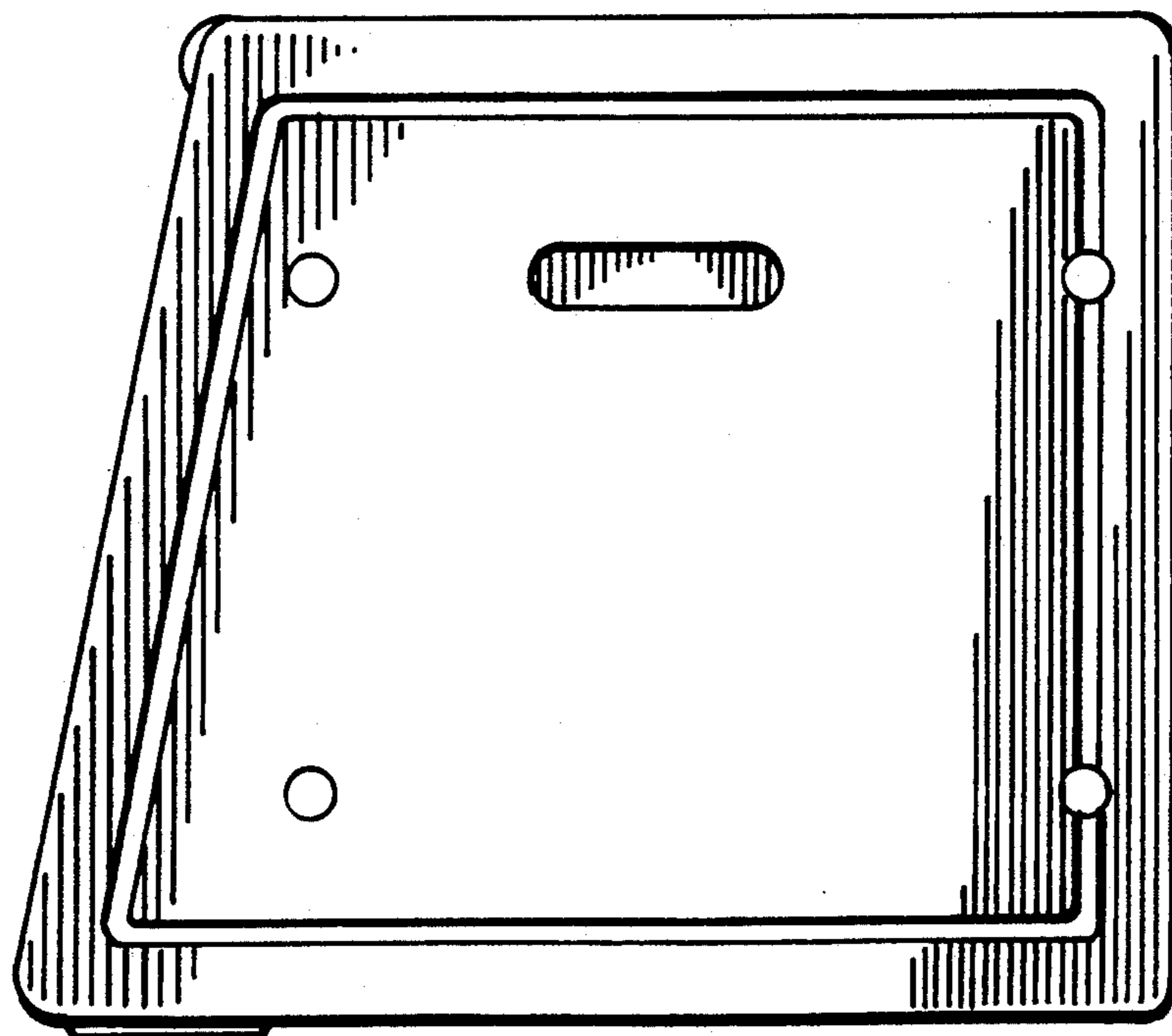


FIG. 5

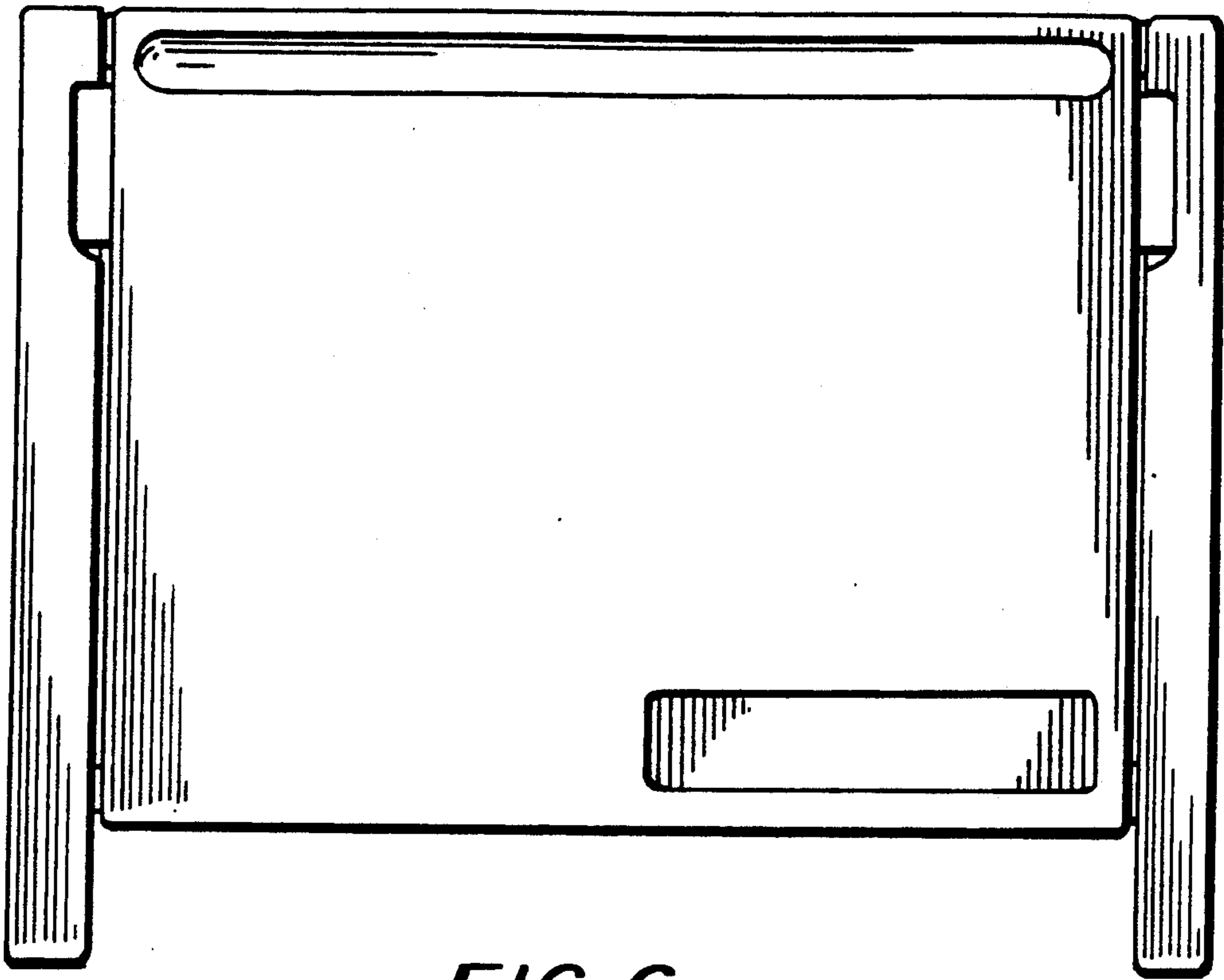


FIG. 6

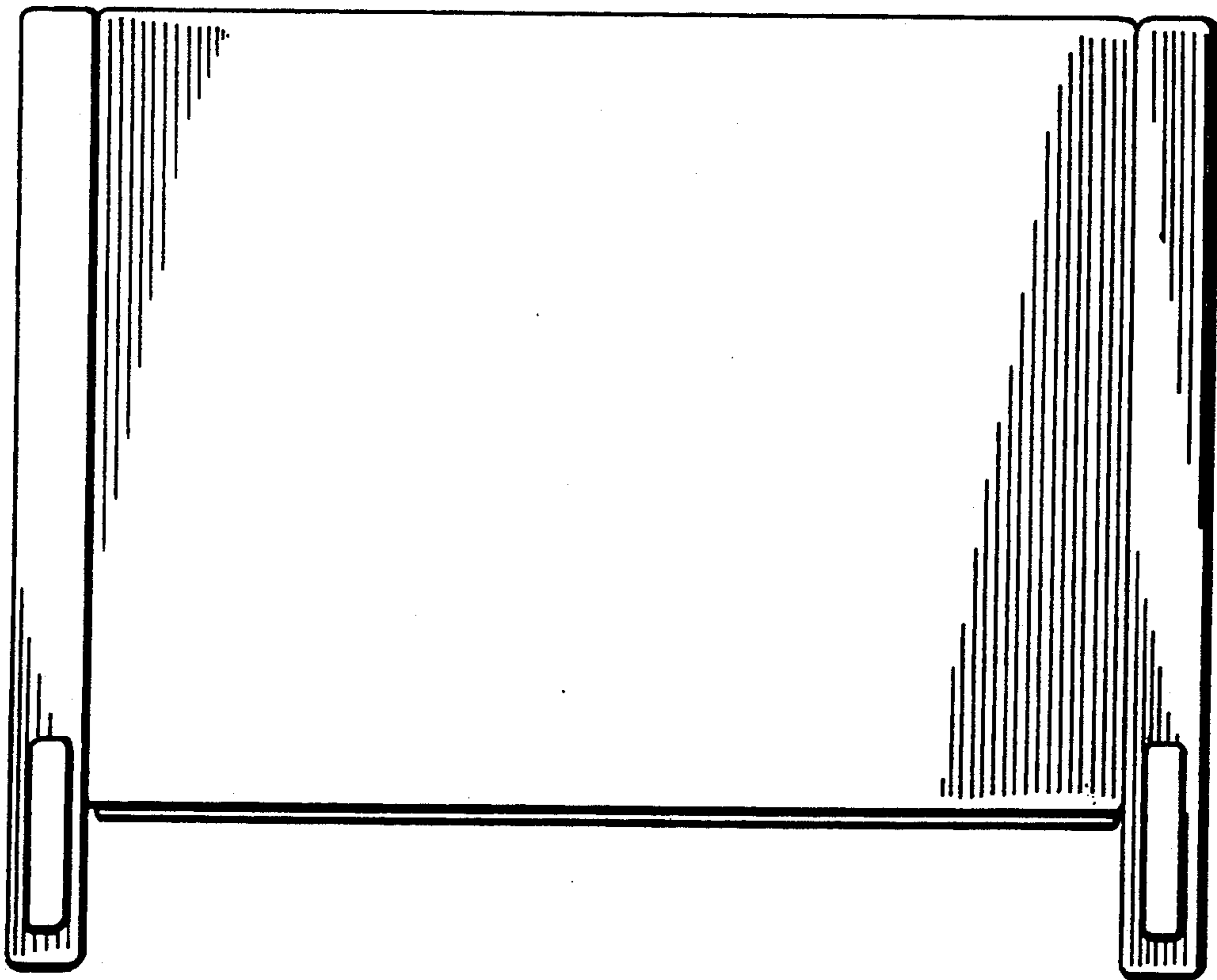


FIG. 7