



US00D324081S

# United States Patent [19]

Albrechtson et al.

[11] Patent Number: **Des. 324,081**

[45] Date of Patent: **\*\* Feb. 18, 1992**

[54] **RANDOM NUMBER GENERATOR**

[75] Inventors: **Loren R. Albrechtson**, Columbus;  
**Lloyd Barnhart**; **Robert Huggins**,  
both of Hilliard; **Sandra D. Morey**,  
Blacklick, all of Ohio

[73] Assignee: **Battelle Memorial Institute**,  
Columbus, Ohio

[\*\*] Term: **14 Years**

[21] Appl. No.: **354,675**

[22] Filed: **May 22, 1989**

[52] U.S. Cl. .... **D21/37**

[58] Field of Search ..... **D21/37; 273/138 R, 144 R,  
273/144 A, 144 B**

[56] **References Cited**

### U.S. PATENT DOCUMENTS

1,866,063 7/1932 Sloan ..... 273/144 B  
4,930,779 6/1990 Maddox ..... D21/37 X

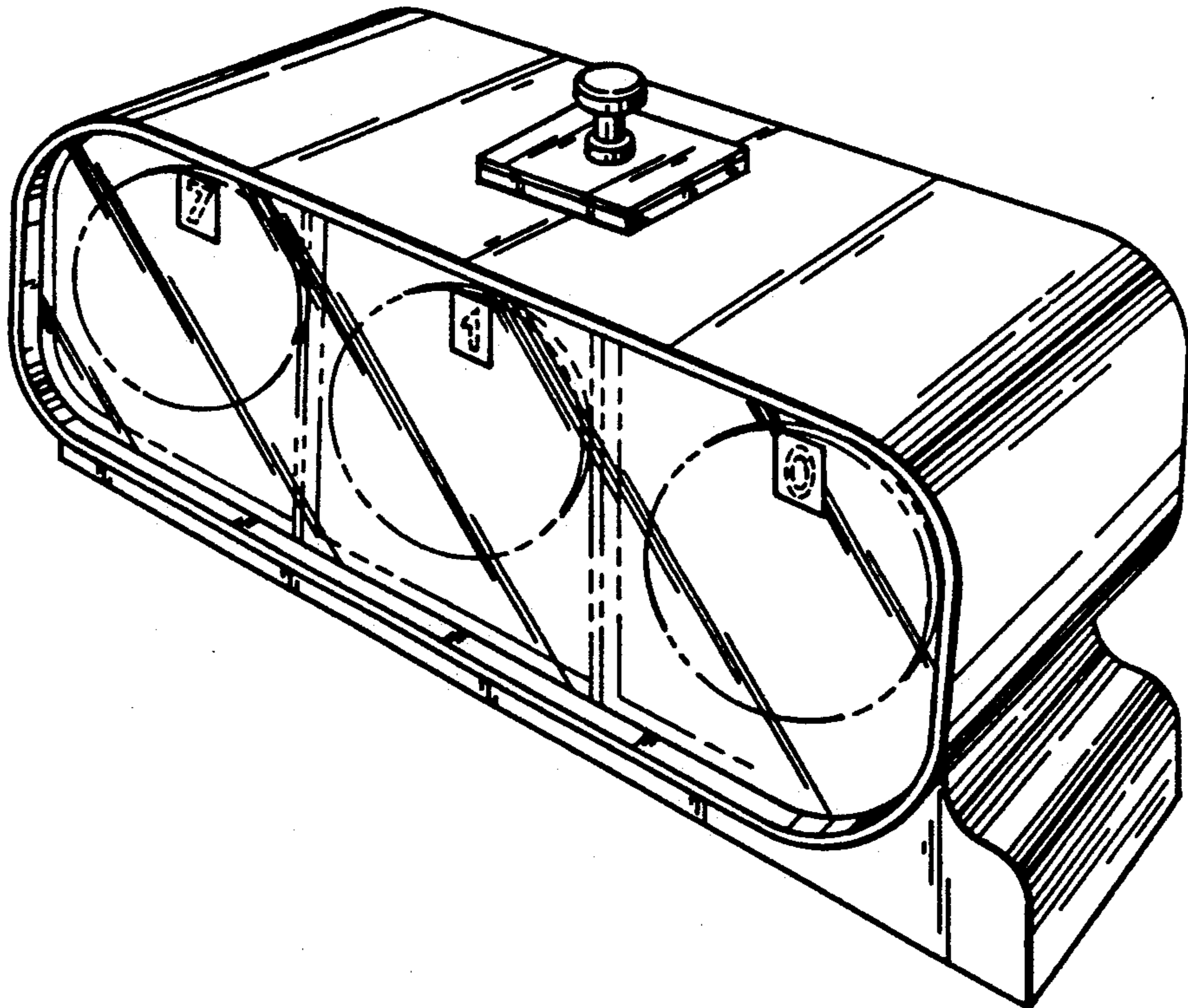
*Primary Examiner*—Terry A. Pfeffer  
*Attorney, Agent, or Firm*—Watkins, Dunbar & Pollick

[57] **CLAIM**

The ornamental design for the random number generator, as shown and described.

### DESCRIPTION

FIG. 1 is a perspective view of a random number generator showing our new design;  
FIG. 2 is a front elevational view thereof;  
FIG. 3 is a top plan view thereof;  
FIG. 4 is a bottom plan view thereof;  
FIG. 5 is a rear elevational view thereof; and  
FIG. 6 is a side elevational view thereof.  
The balls and numbers are shown in broken lines for illustrative purposes only.



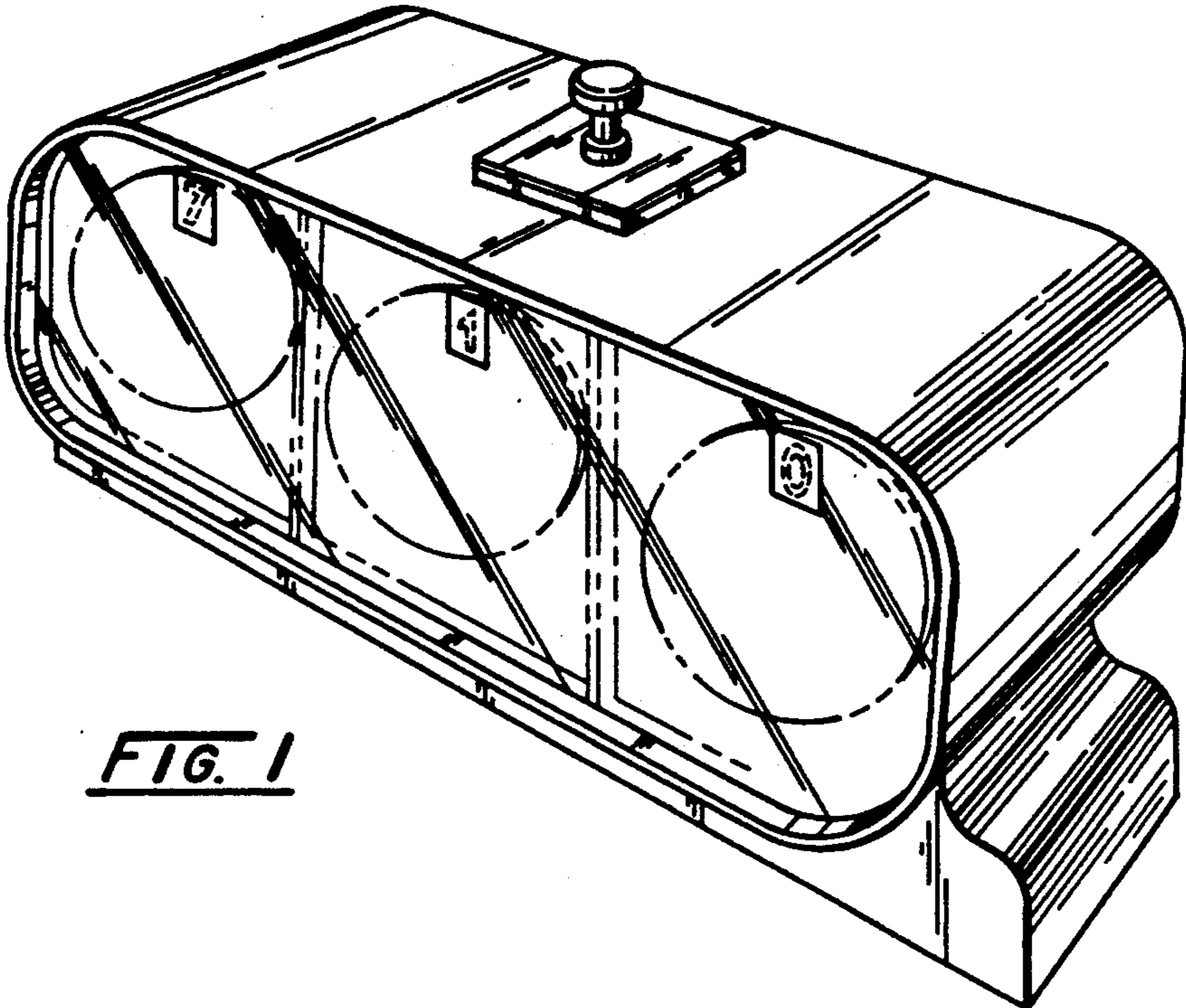


FIG. 1

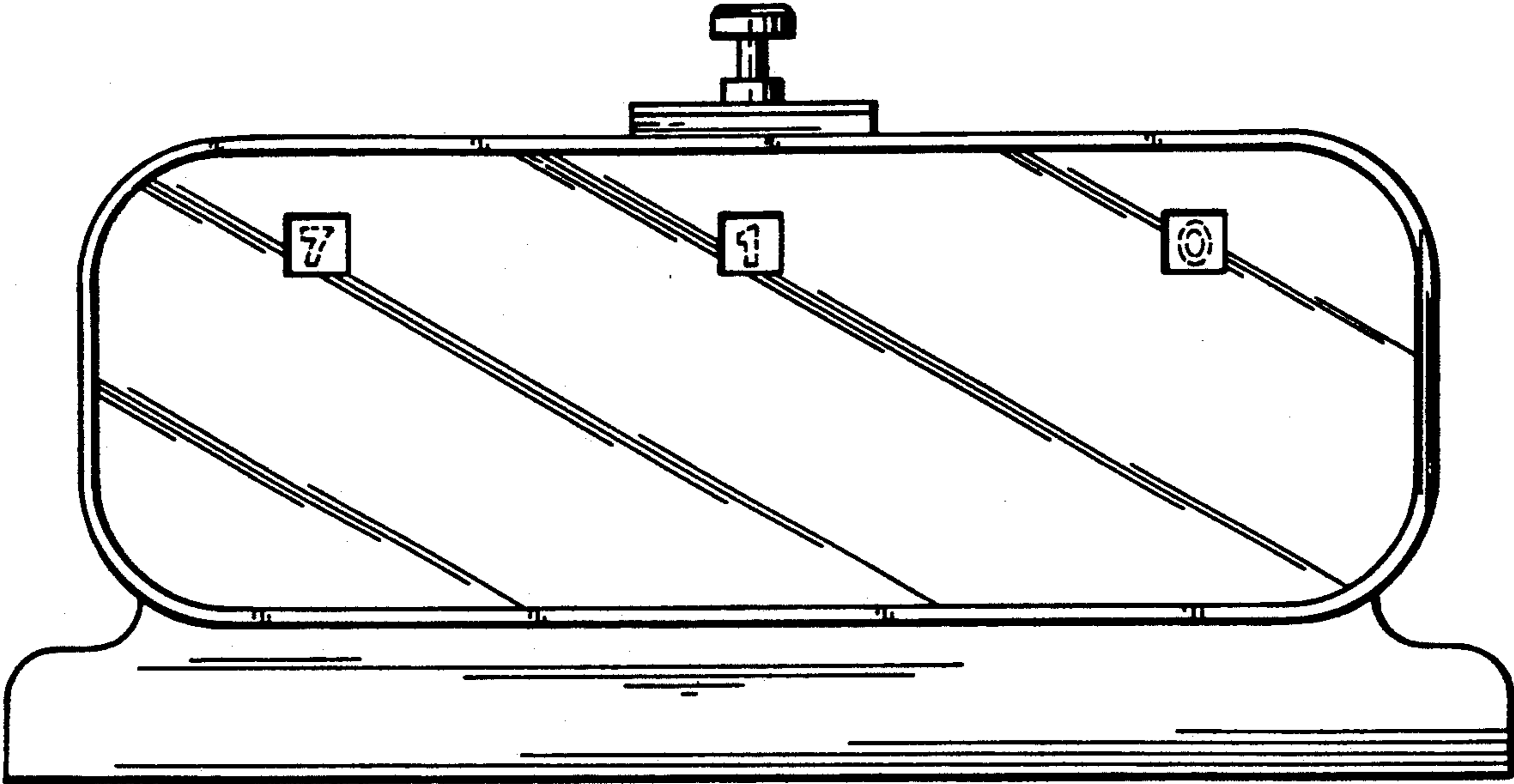


FIG. 2

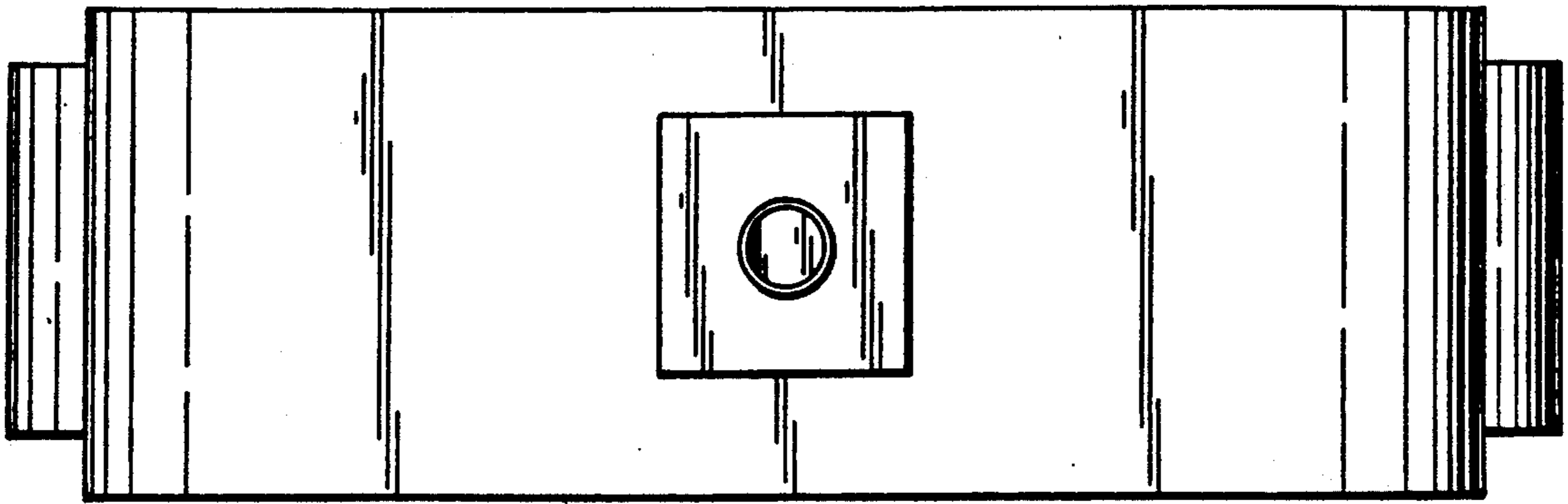


FIG. 3

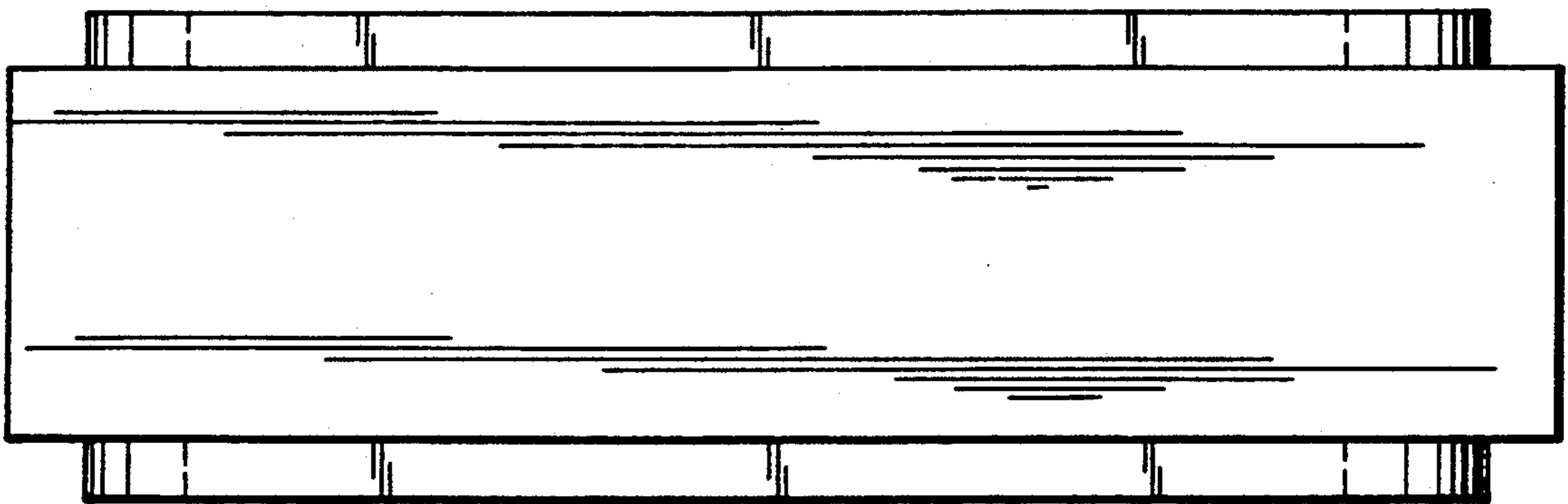


FIG. 4

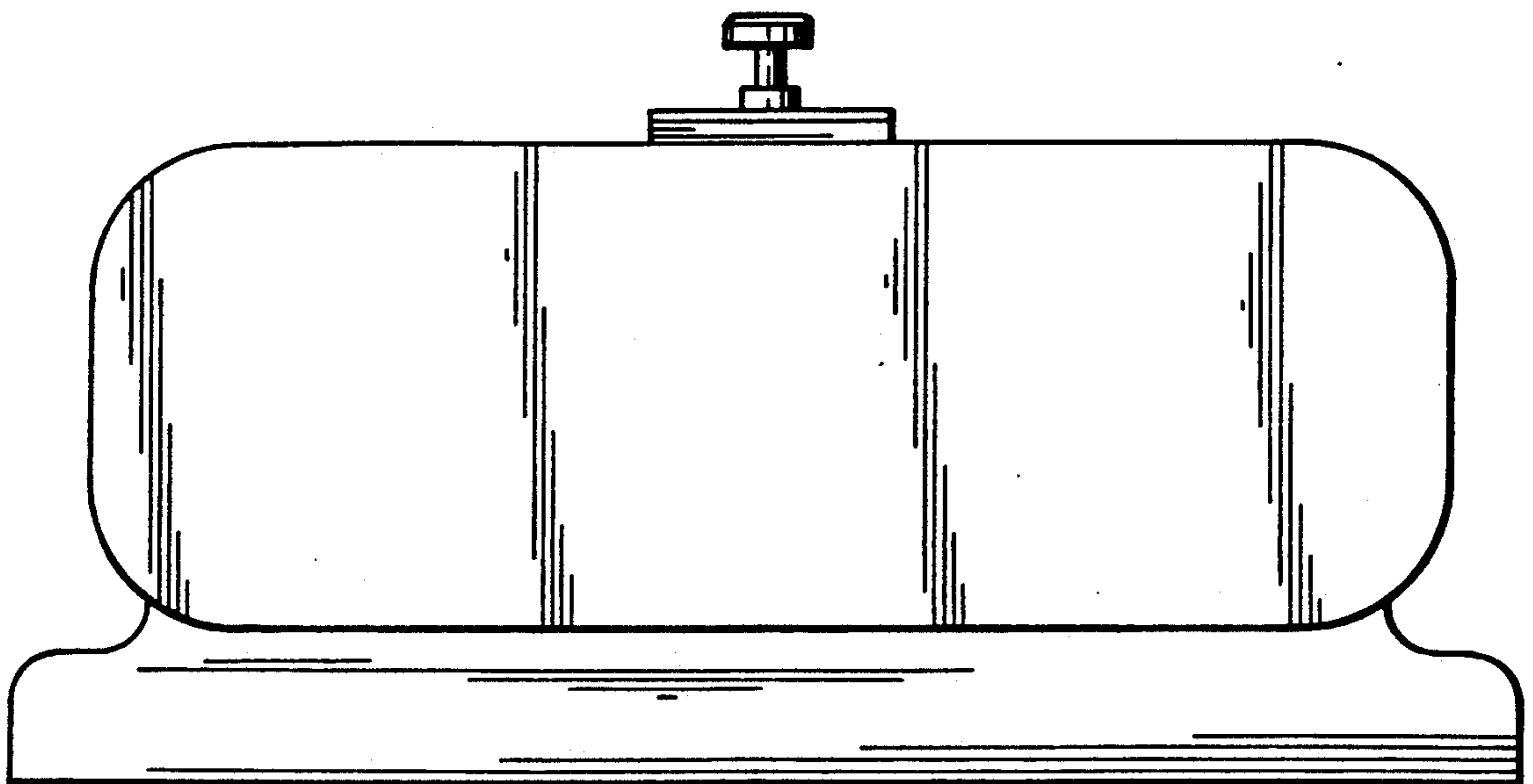


FIG. 5

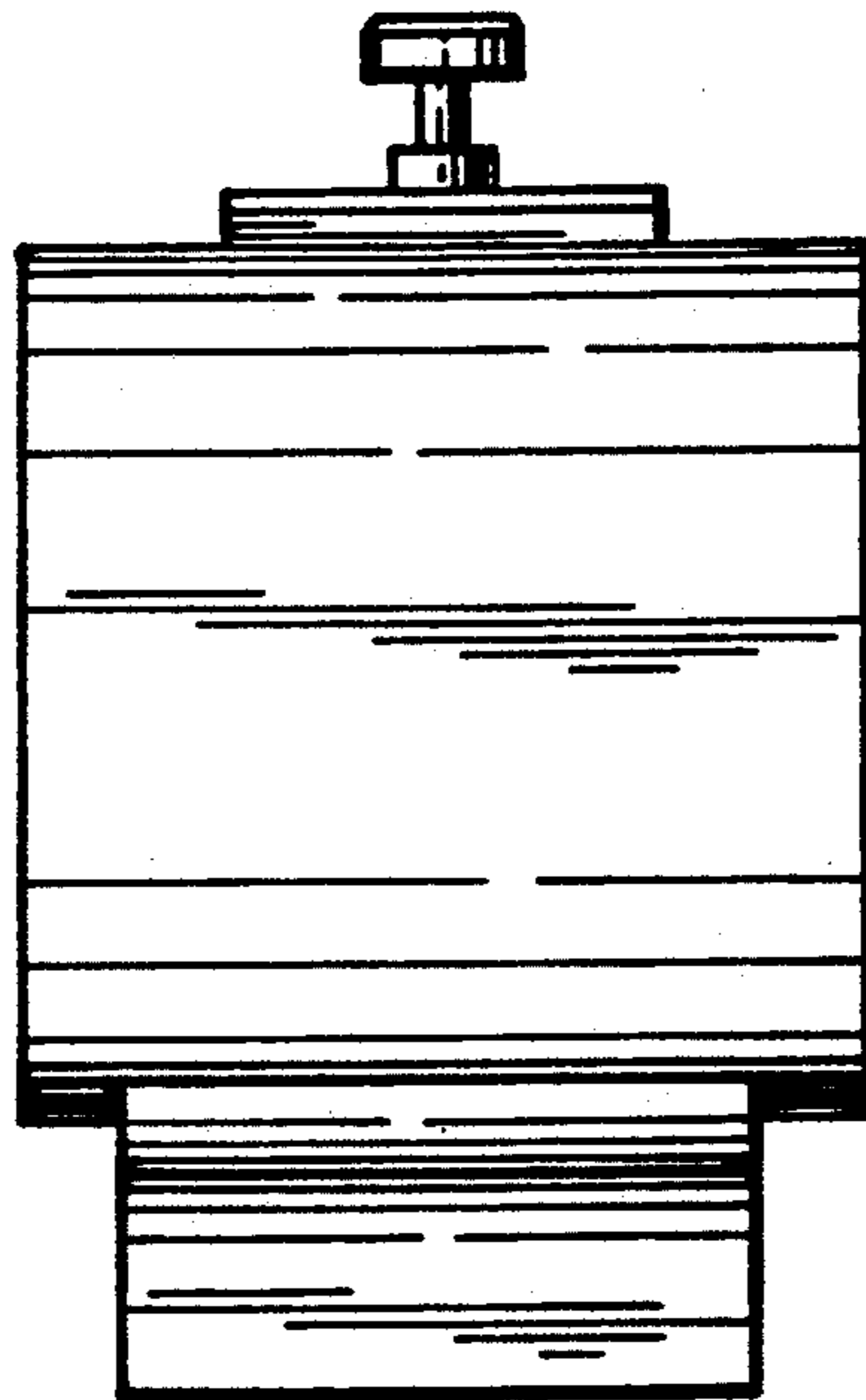


FIG. 6