



US00D324078S

# United States Patent [19]

[11] Patent Number: **Des. 324,078**

**Kinney**

[45] Date of Patent: **\*\* Feb. 18, 1992**

[54] **ADVERTISING DISPLAY FOR BARBER SHOPS OR THE LIKE**

D, 281,104	10/1985	Davison	.....	D8/57
1,263,210	4/1918	Conrad	.....	40/411
3,979,826	9/1976	Koch	.....	D8/57
3,983,647	10/1976	Stubbmann	.....	40/430

[76] Inventor: **William J. Kinney, 6520 Woodland Dr., Dallas, Tex. 75225**

[\*\*] Term: **14 Years**

*Primary Examiner—Wallace R. Burke  
Assistant Examiner—Marcus Jackson  
Attorney, Agent, or Firm—Johnson & Gibbs*

[21] Appl. No.: **410,530**

[22] Filed: **Sep. 20, 1989**

[57] **CLAIM**

[52] U.S. Cl. .... **D20/16**

The ornamental design for an advertising display for barber shops, as shown and described.

[58] Field of Search ..... **D20/10, 16, 19, 41, D20/99; D8/57, 58; 40/411, 414, 427, 429, 430, 431, 541, 542, 545, 546, 558, 559**

**DESCRIPTION**

[56] **References Cited**

FIG. 1 is a front perspective view of an advertising display for barber shops or the like showing my new design;

**U.S. PATENT DOCUMENTS**

D. 29,193	8/1898	Barnes	.....	D20/16
45,904	6/1914	Vreese	.....	D20/16
D. 174,935	6/1955	Barefoot	.....	D20/13
D. 198,975	8/1964	Holmes	.....	D20/16
D. 250,246	11/1978	Spigelman	.....	D8/57

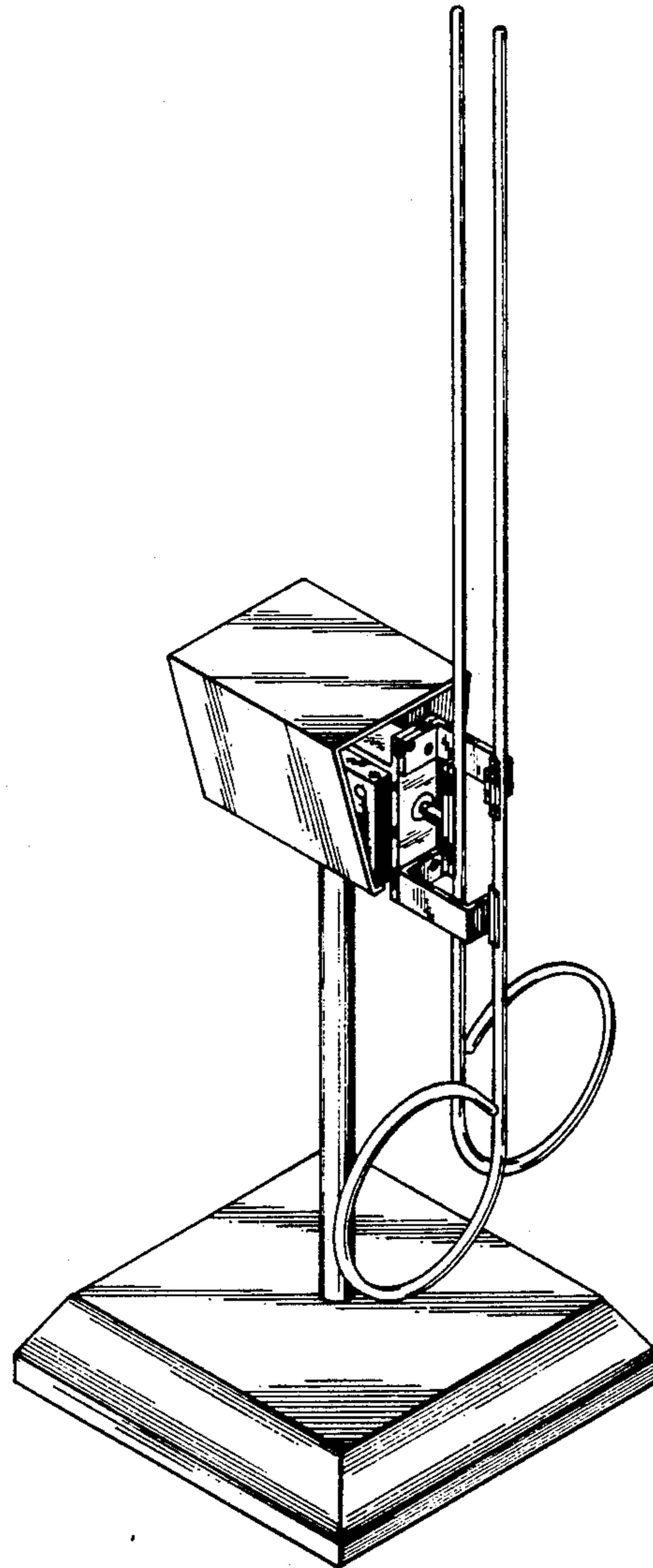
FIG. 2 is a front elevational view thereof;

FIG. 3 is a left side elevational view thereof;

FIG. 4 is a rear elevational view thereof;

FIG. 5 is a right side elevational view thereof; and

FIG. 6 is a top plan view thereof.



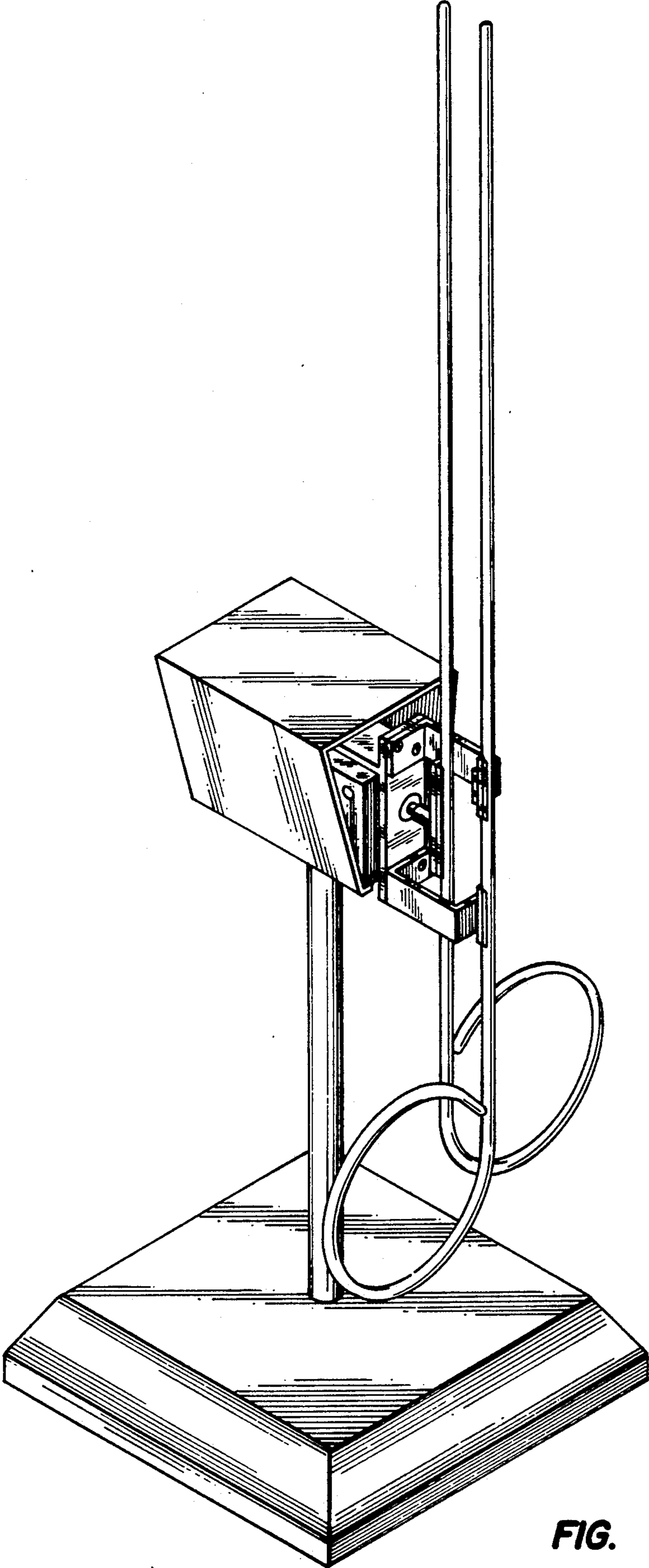
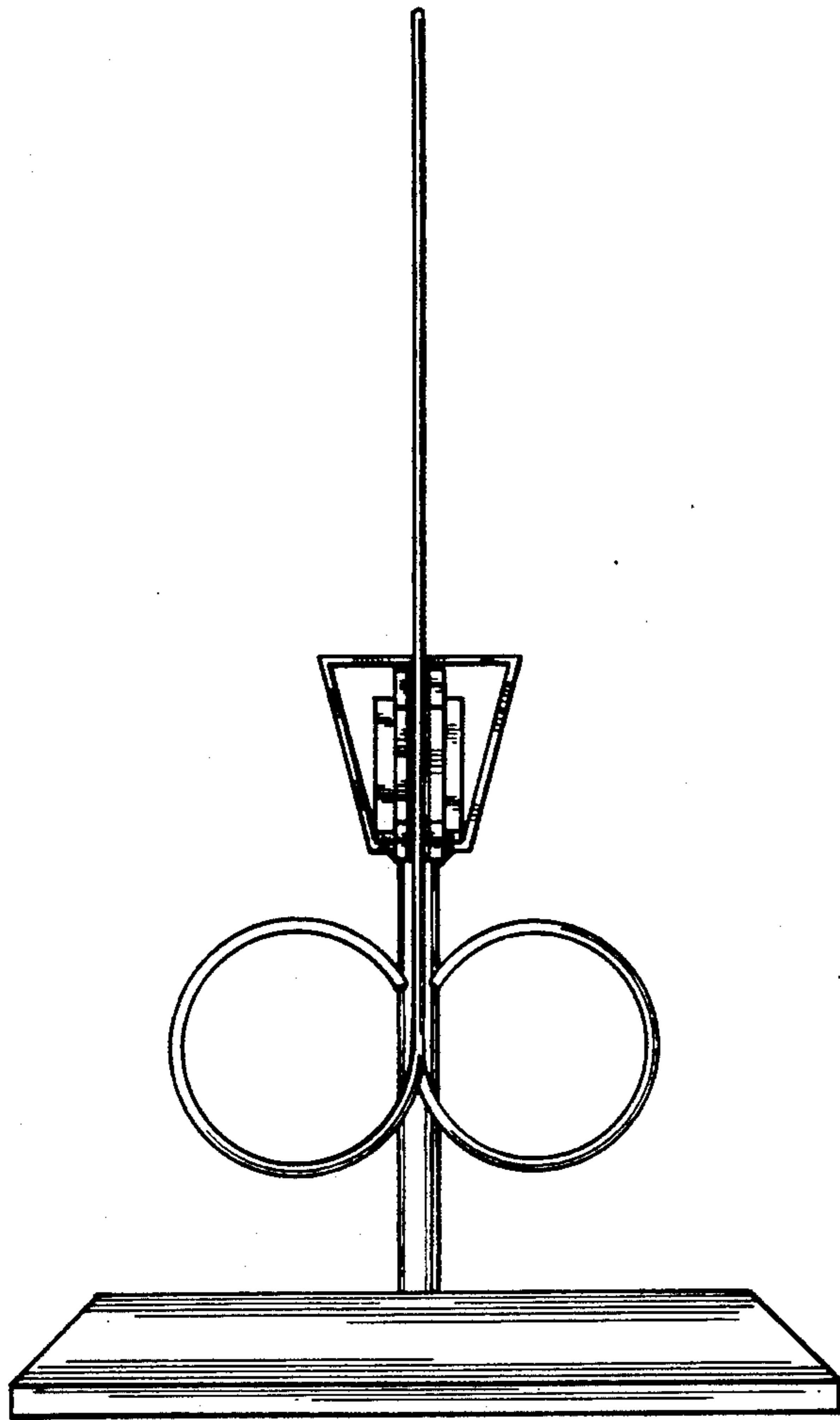
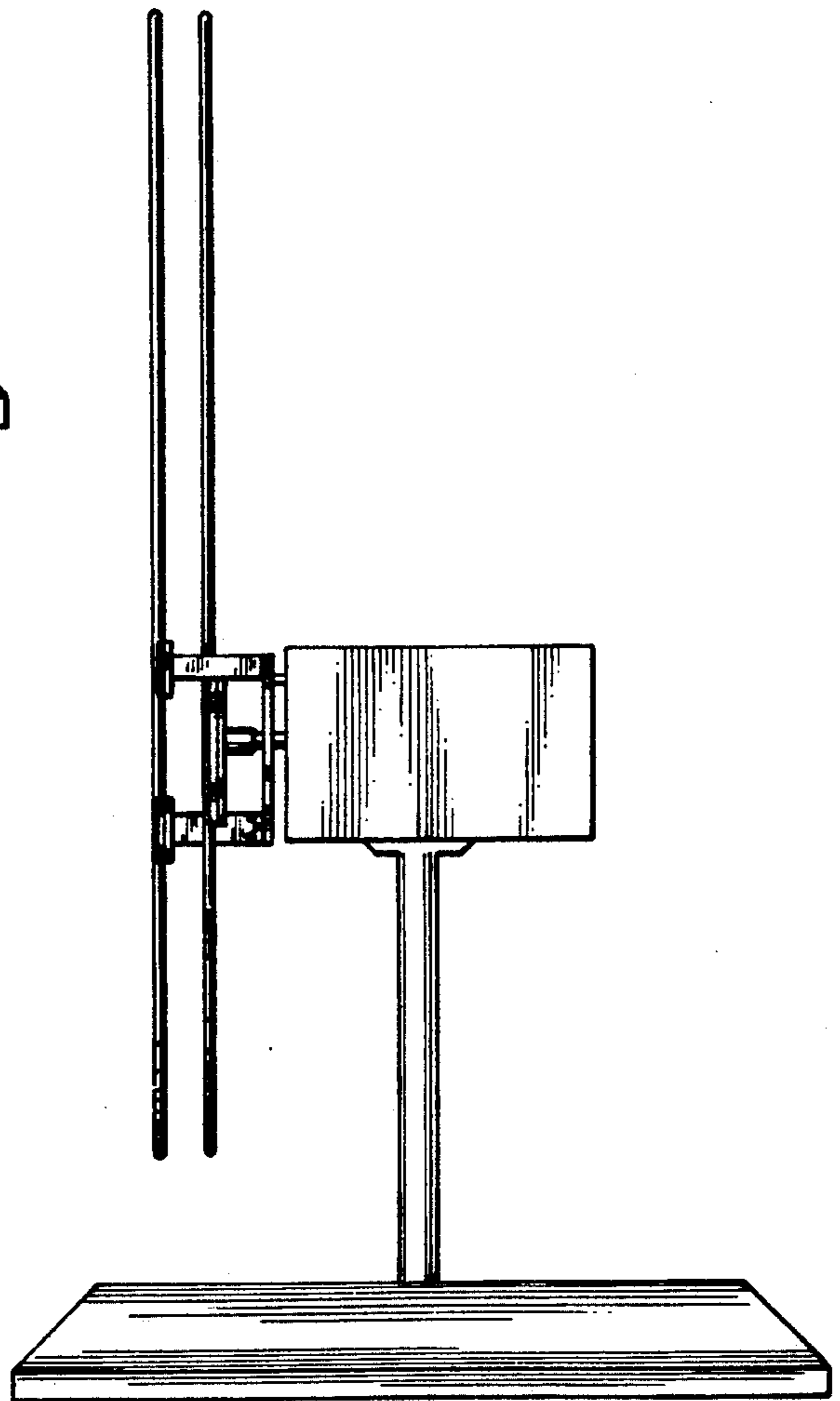


FIG. 1



**FIG. 2**



**FIG. 3**

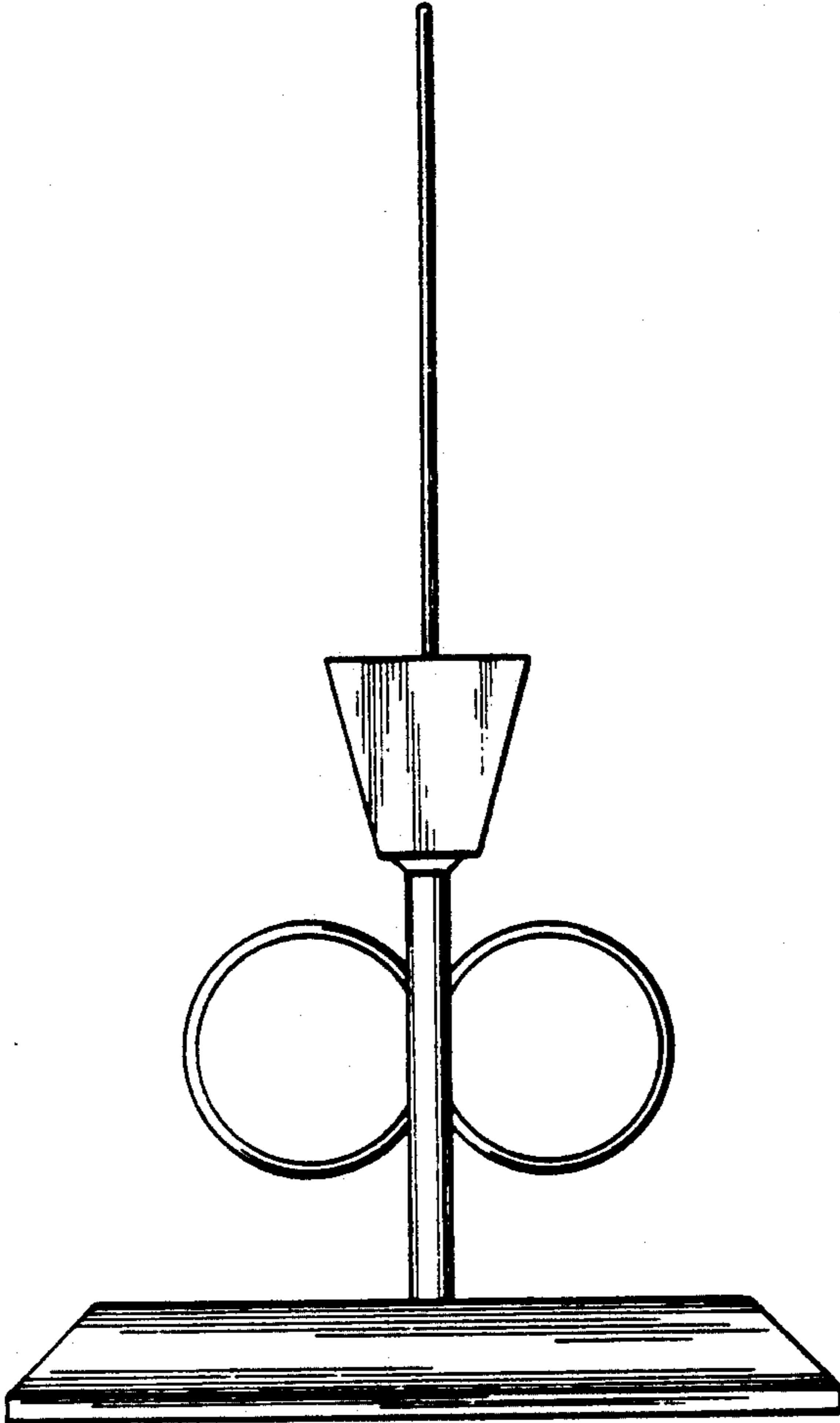


FIG. 4

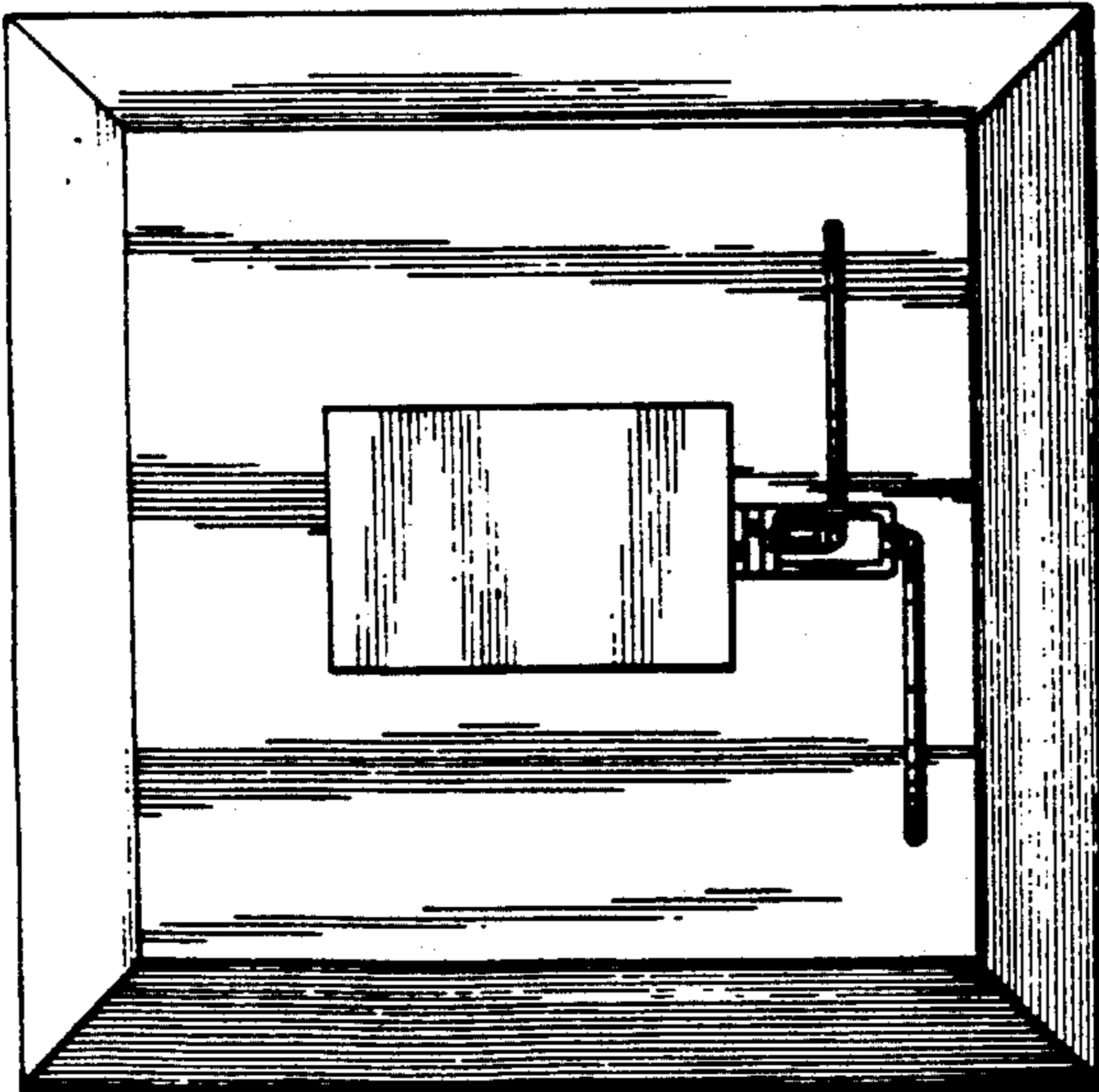


FIG. 6

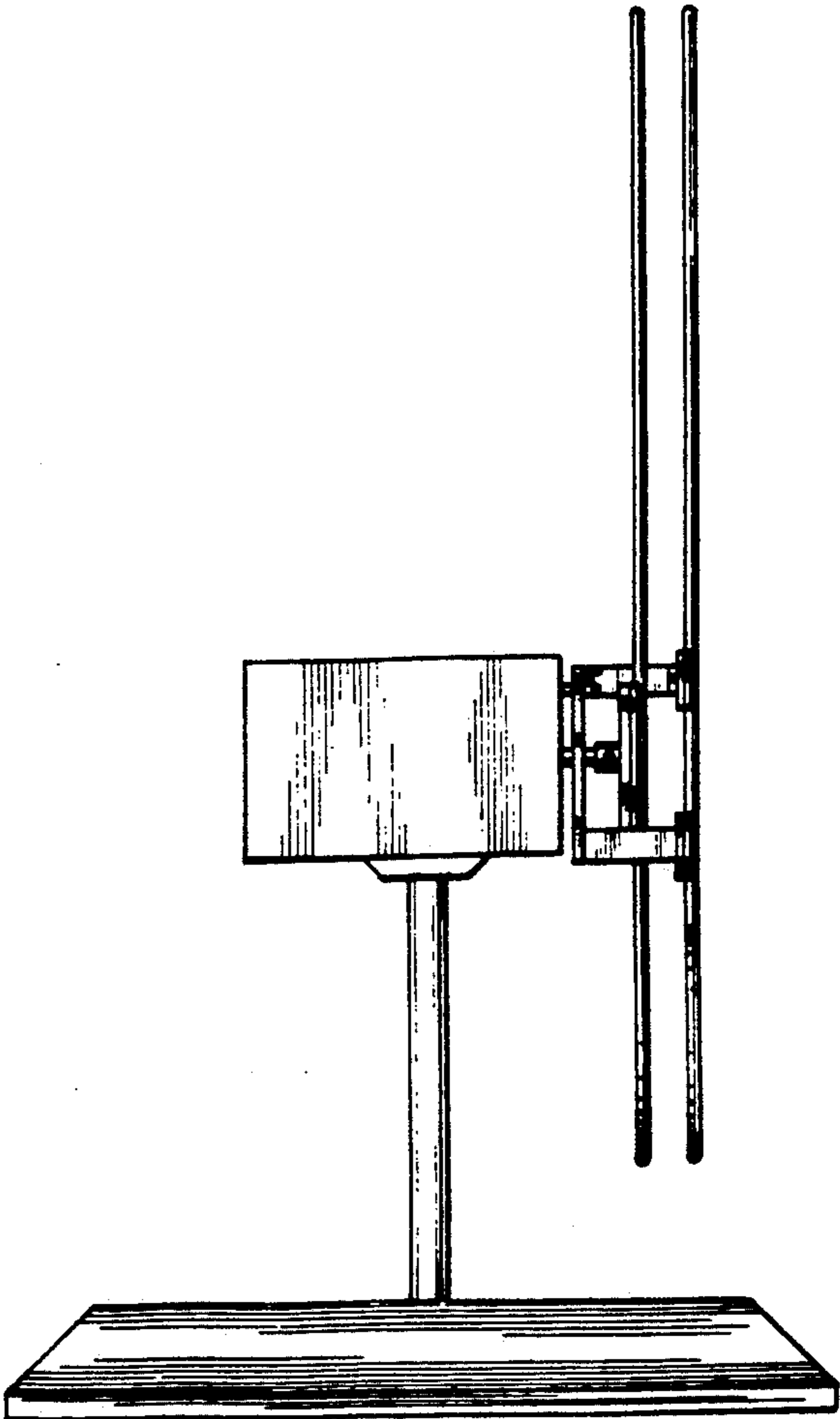


FIG. 5