



US00D324076S

United States Patent [19]

[11] Patent Number: Des. 324,076

Freitag

[45] Date of Patent: ** Feb. 18, 1992

[54] **COMBINED ADHESIVE NOTE DISPENSER AND DESK CADDY**

[75] Inventor: L. Wayne Freitag, Oak Ridge, N.J.

[73] Assignee: The Bates Manufacturing Company, Hackettstown, N.J.

[**] Term: 14 Years

[21] Appl. No.: 435,791

[22] Filed: Nov. 13, 1989

[52] U.S. Cl. D19/78; D19/75; D19/86; D19/92; D19/95

[58] Field of Search D19/65, 75, 76, 77, D19/78, 81-85, 86, 92, 95, 99, 100; 211/10, 11, 45, 50, 55; 206/214, 215, 371, 494, 39.7

[56] **References Cited**

U.S. PATENT DOCUMENTS

- D. 120,743 5/1940 Petzold D19/86 X
- D. 186,476 10/1959 Chedister D19/76
- D. 252,258 7/1979 Roccaforte D9/418
- D. 292,220 10/1987 Wen D19/92
- D. 303,551 9/1989 Szablak et al. D19/75
- D. 306,319 2/1990 Evenson D19/77

- D. 306,462 3/1990 Miles et al. D19/86
- D. 310,243 8/1990 Evenson D19/86 X
- D. 317,180 5/1991 Leszczak D19/76 X
- 4,411,374 10/1983 Hotchkiss D6/518 X

Primary Examiner—Bruce W. Dunkins
Assistant Examiner—Martha Thompson

[57] **CLAIM**

The ornamental design for a combined adhesive note dispenser and desk caddy, as shown and described.

DESCRIPTION

FIG. 1 is a top, left front perspective view of a combined adhesive note dispenser and desk caddy showing my new design;

FIG. 2 is a left side elevational view drawn to an enlarged scale, the right side being a mirror image thereof;

FIG. 3 is a top plan view of FIG. 2;

FIG. 4 is a front elevational view of FIG. 2;

FIG. 5 is a rear elevational view of FIG. 2;

FIG. 6 is a bottom plan view of FIG. 2; and

FIG. 7 is a top, left front perspective view of FIG. 1 with the note paper sheet being depicted by means of broken lines for illustrative purposes only and forming no part of the claimed design.

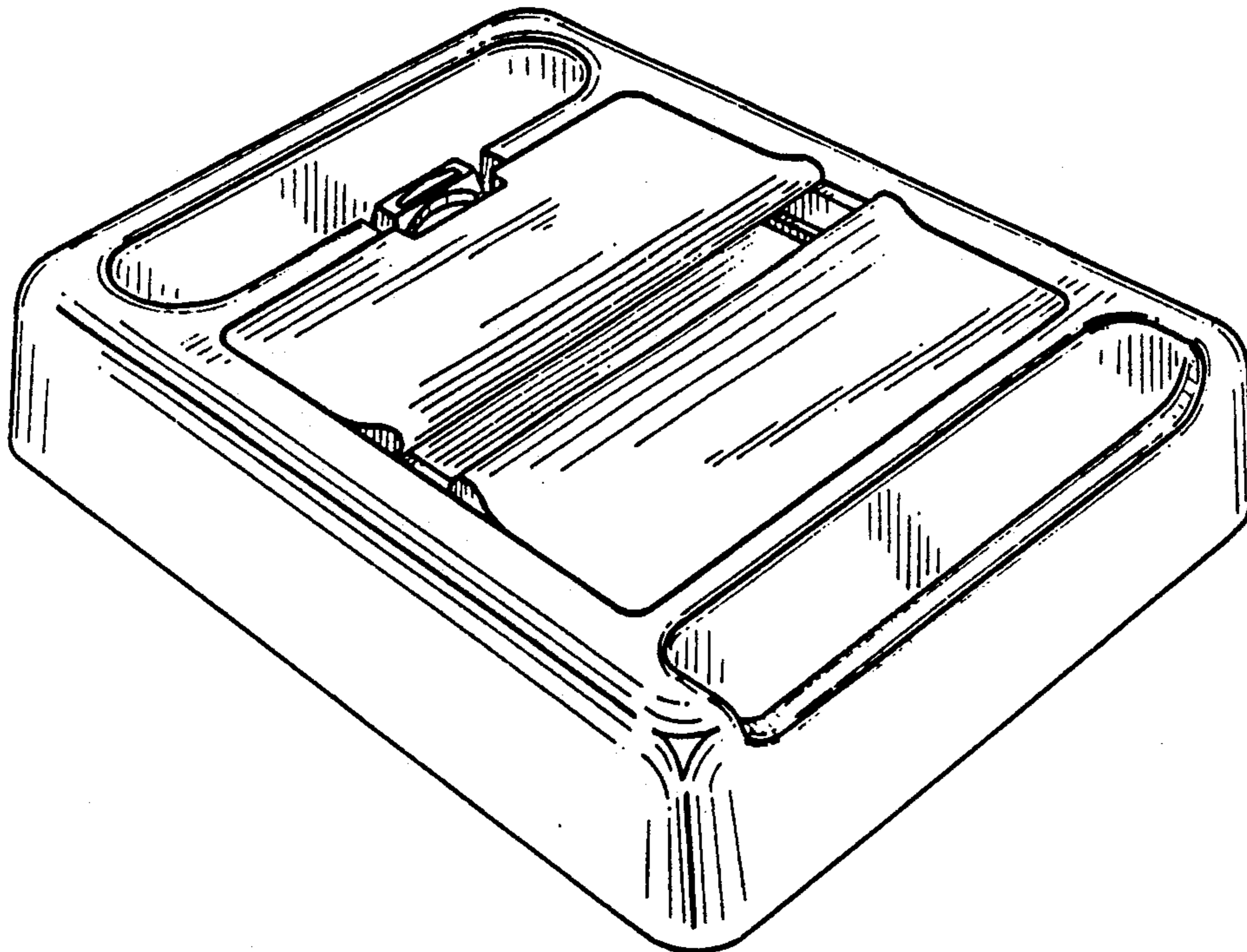


FIG-1

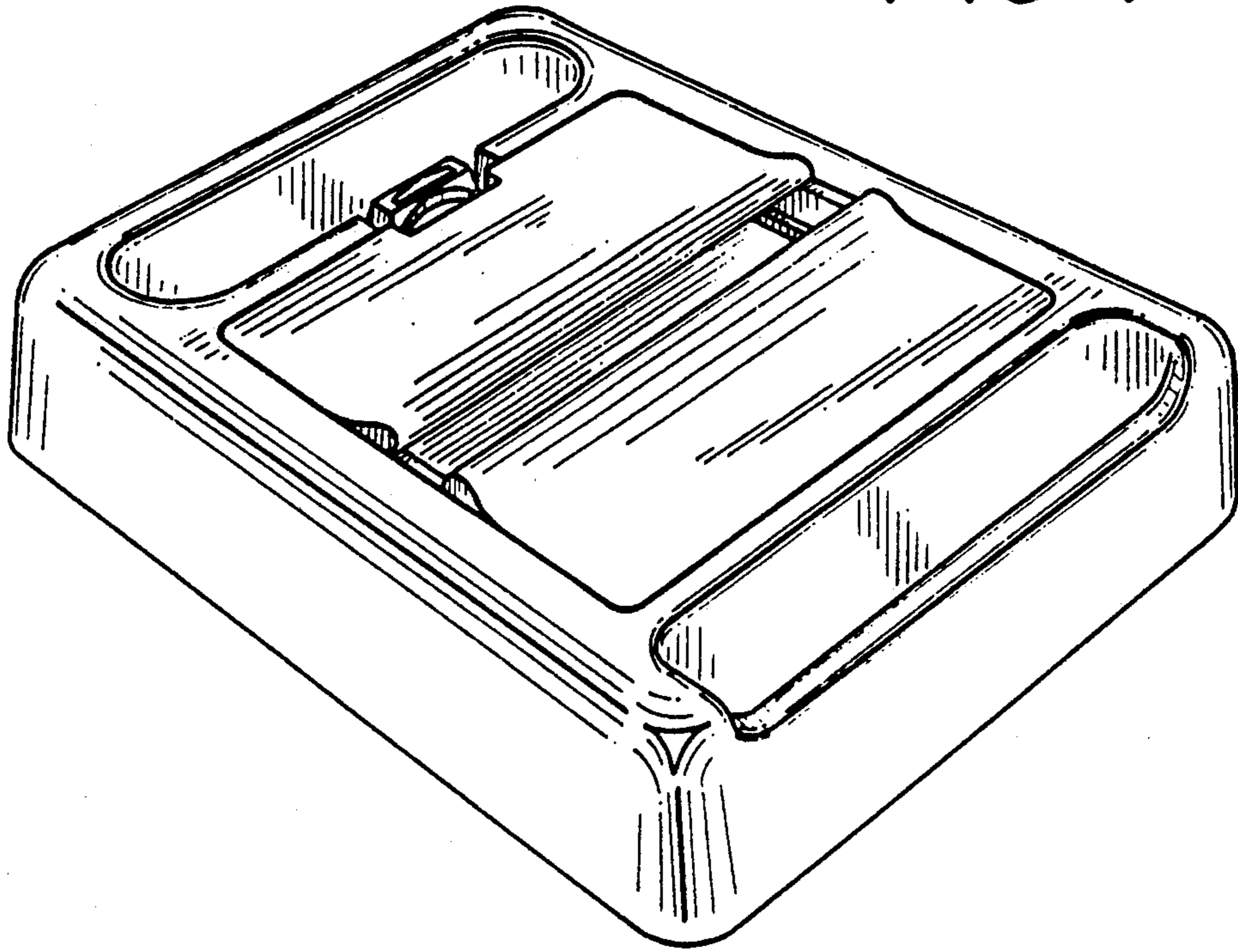


FIG-2

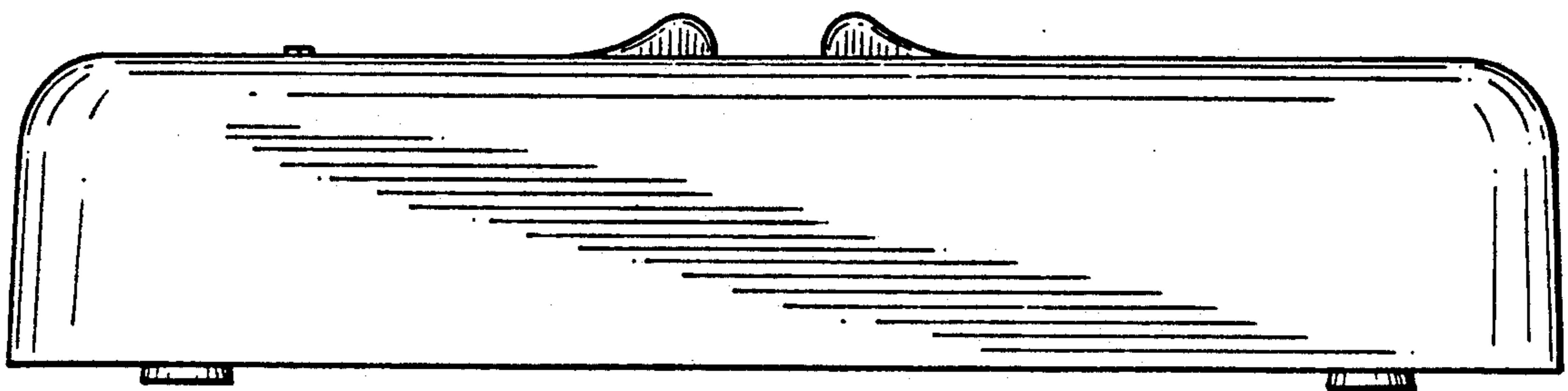


FIG-3

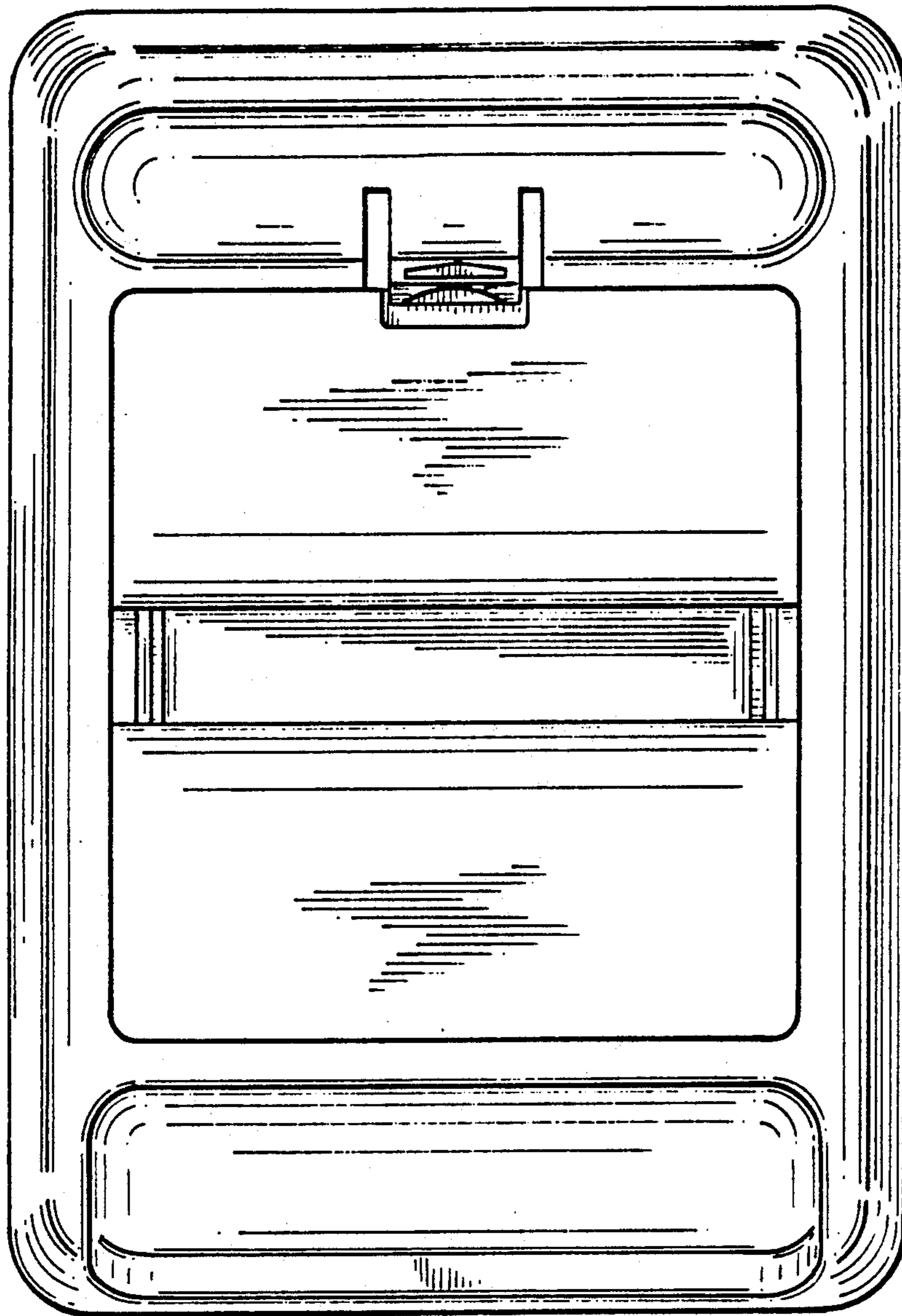


FIG-4

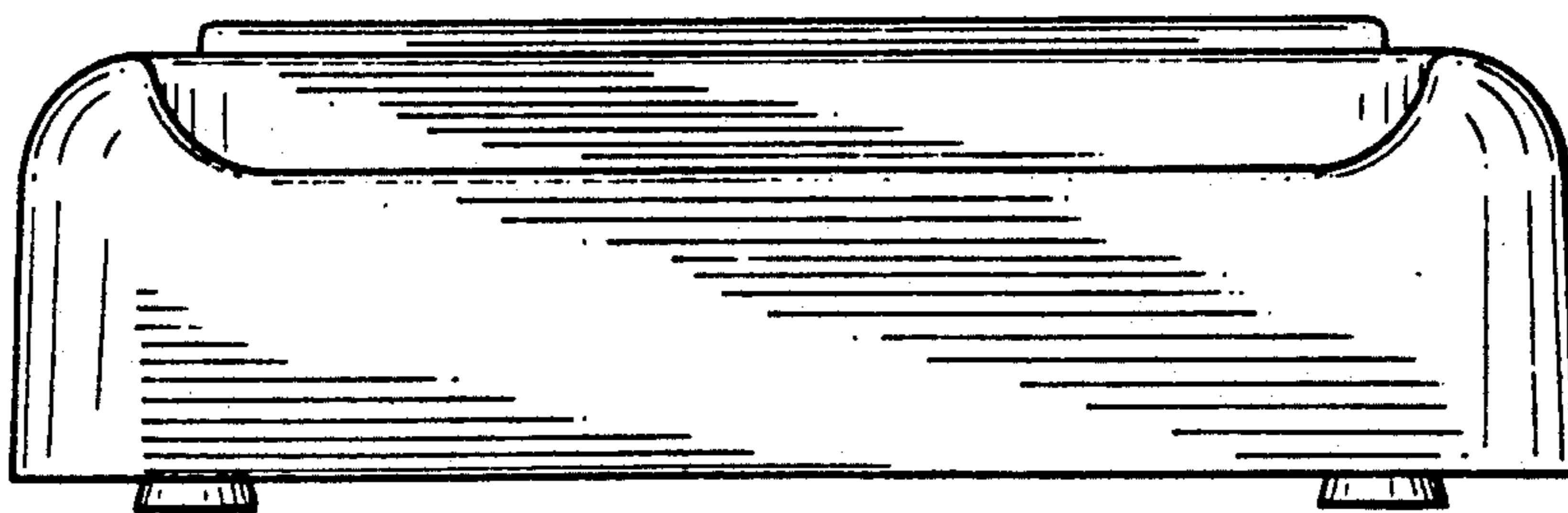


FIG-5

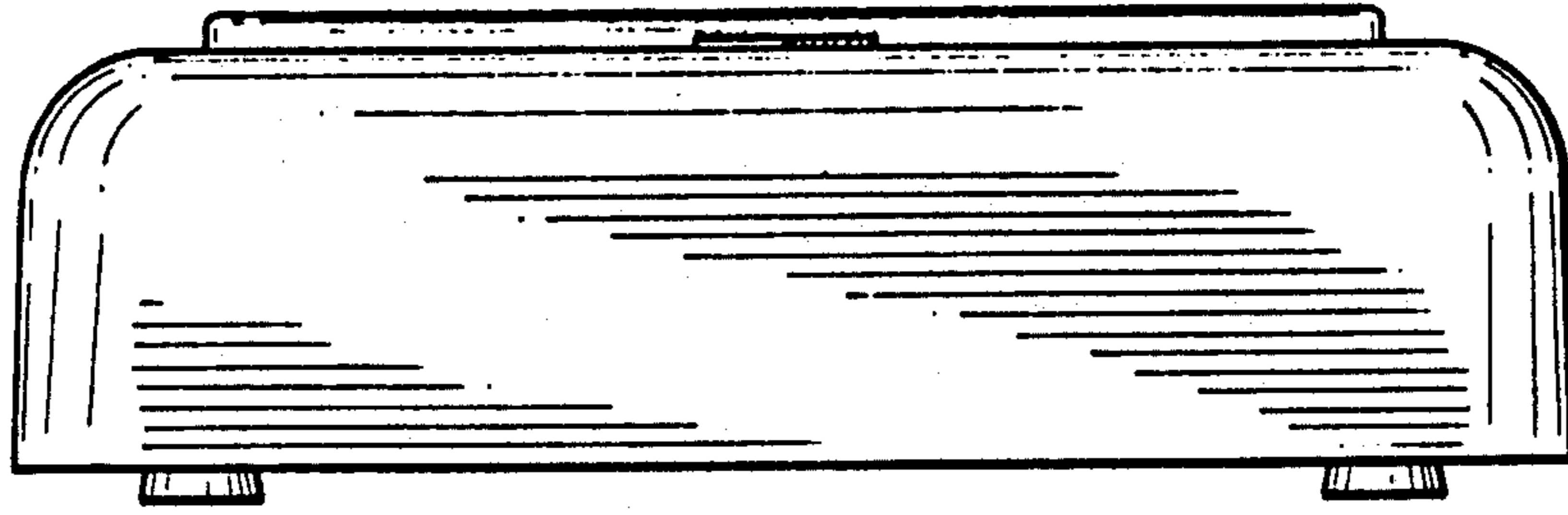


FIG-6

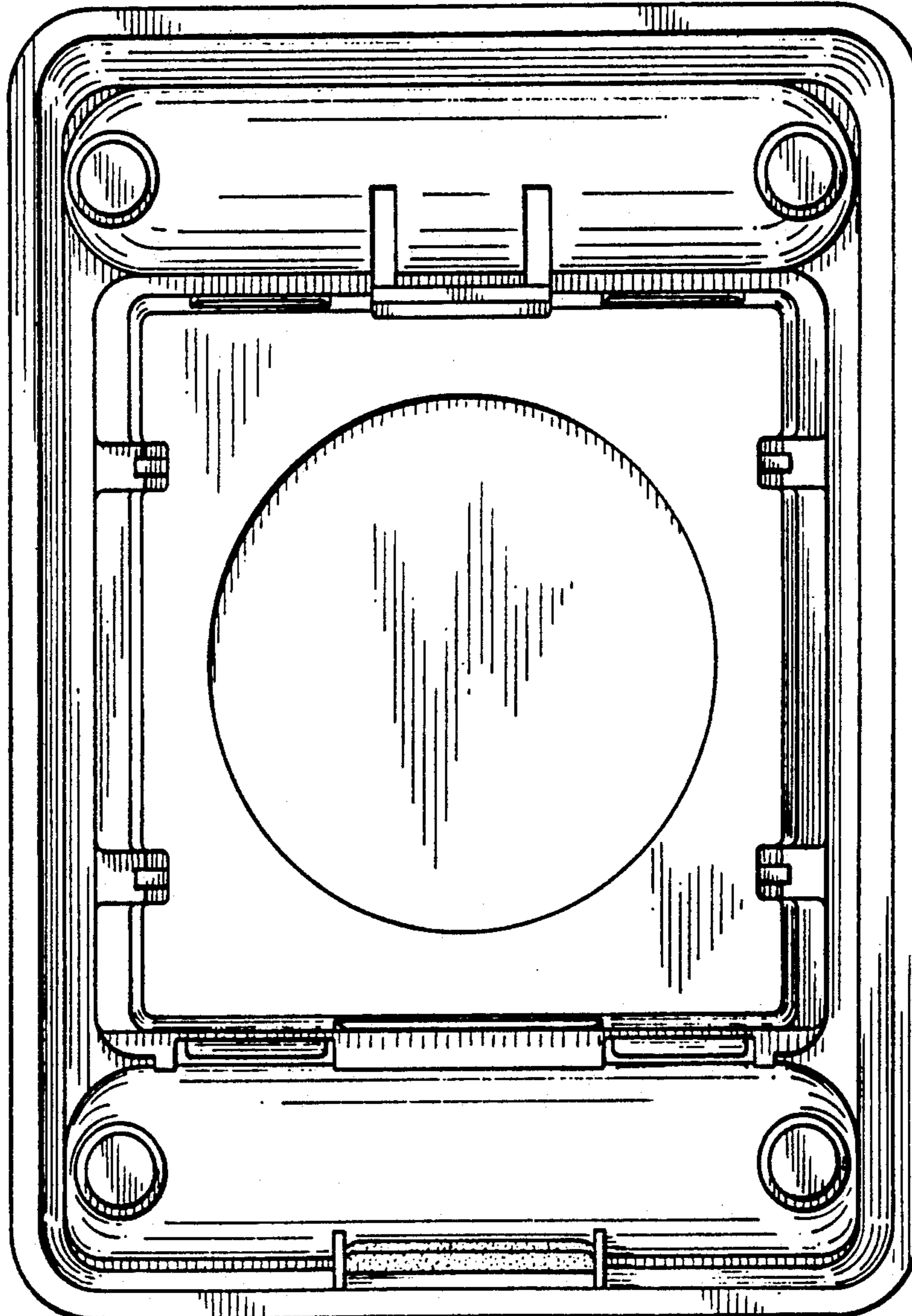


FIG-7

