



US00D324074S

United States Patent [19]

[11] Patent Number: **Des. 324,074**

DeJaynes

[45] Date of Patent: **** Feb. 18, 1992**

[54] **RIBBON DISPENSER**

[76] Inventor: **Arnold M. DeJaynes, R.R. #1, Box 168, New London, Iowa 52645**

D. 276,354 11/1984 Spitzer D19/69
D. 283,789 5/1986 Kodousek et al. D19/67 X
D. 288,533 3/1987 Jialavella et al. D9/415
4,527,722 7/1985 Strachan D19/67

[**] Term: **14 Years**

Primary Examiner—Bruce W. Dunkins
Assistant Examiner—Martha Thompson
Attorney, Agent, or Firm—Zarley, McKee, Thomte, Voorhees, & Sease

[21] Appl. No.: **260,368**

[22] Filed: **Oct. 20, 1988**

[52] U.S. Cl. **D19/69; D9/415; D19/67**

[58] Field of Search **D9/415, 418; D19/67, D19/68, 69; 225/6, 25, 39, 44, 45, 65, 77, 88, 89; 242/55, 55.2, 55.3, 62**

[57] **CLAIM**

The ornamental design for a ribbon dispenser, as shown and described.

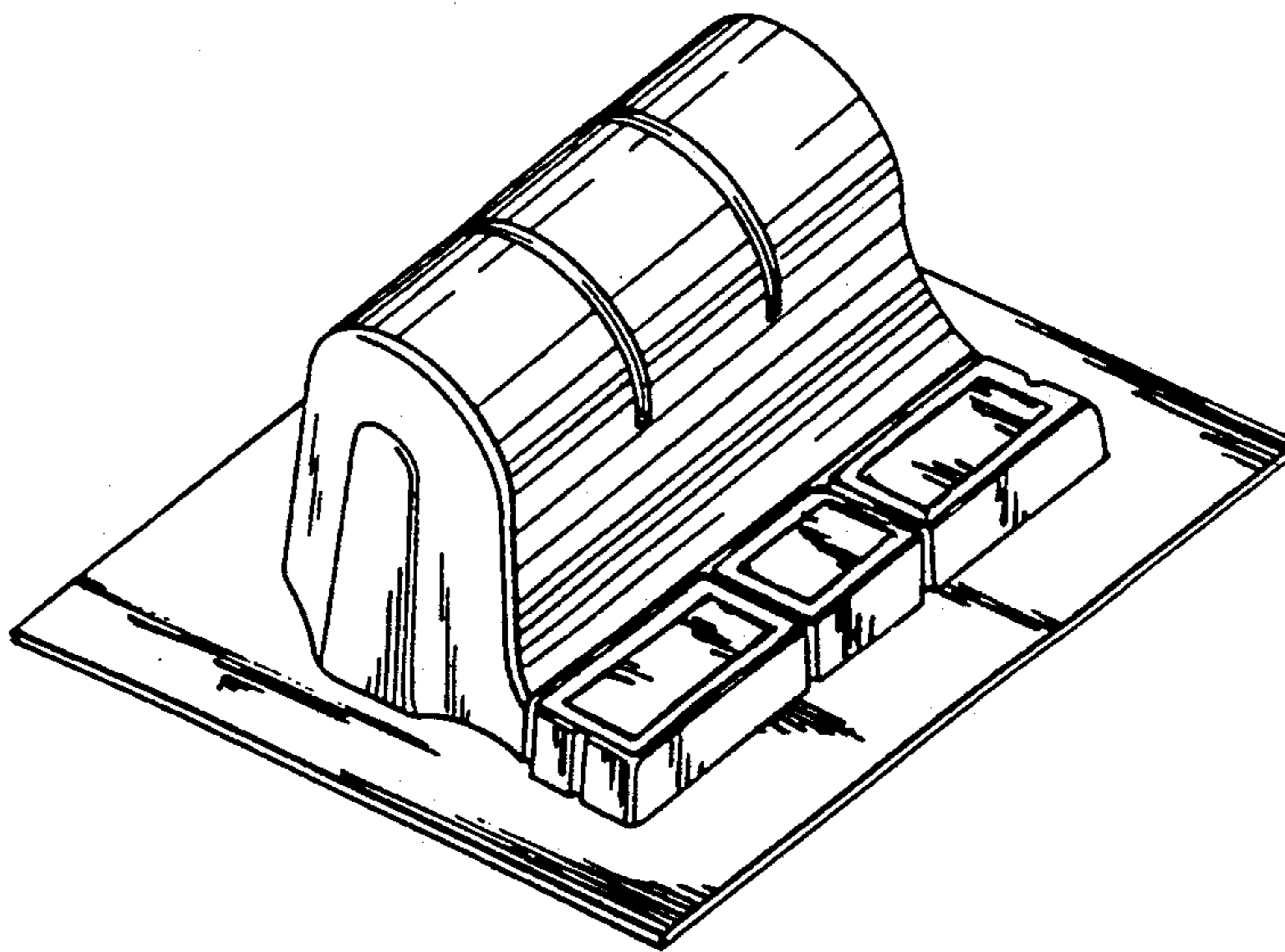
[56] **References Cited**

DESCRIPTION

U.S. PATENT DOCUMENTS

D. 183,867 11/1958 Wagner D19/69
D. 200,348 2/1965 Perkins D19/69
D. 201,766 7/1965 Perkins D19/67
D. 251,125 2/1979 DuFresne et al. D19/67
D. 260,368 8/1981 Dunshee et al. D19/415
D. 275,835 10/1984 Borst D9/415

FIG. 1 is a top, left front perspective view of a ribbon dispenser showing my new design;
FIG. 2 is a top plan view on an enlarged scale;
FIG. 3 is a bottom plan view of FIG. 2;
FIG. 4 is a right side elevational view of FIG. 2, the left side being a mirror image thereof;
FIG. 5 is a front elevational view of FIG. 2; and
FIG. 6 is a rear elevational view of FIG. 2.



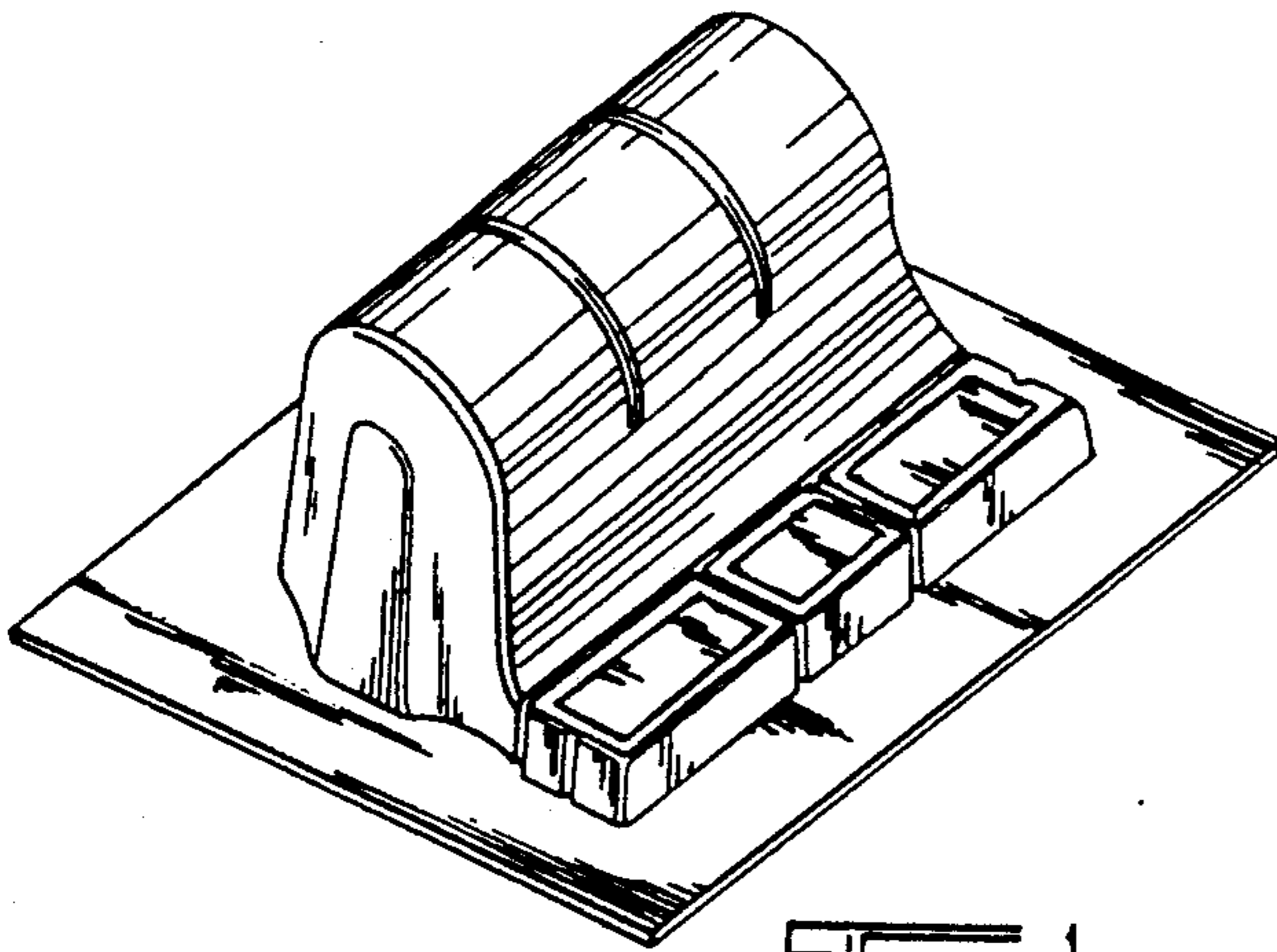


FIG. 1

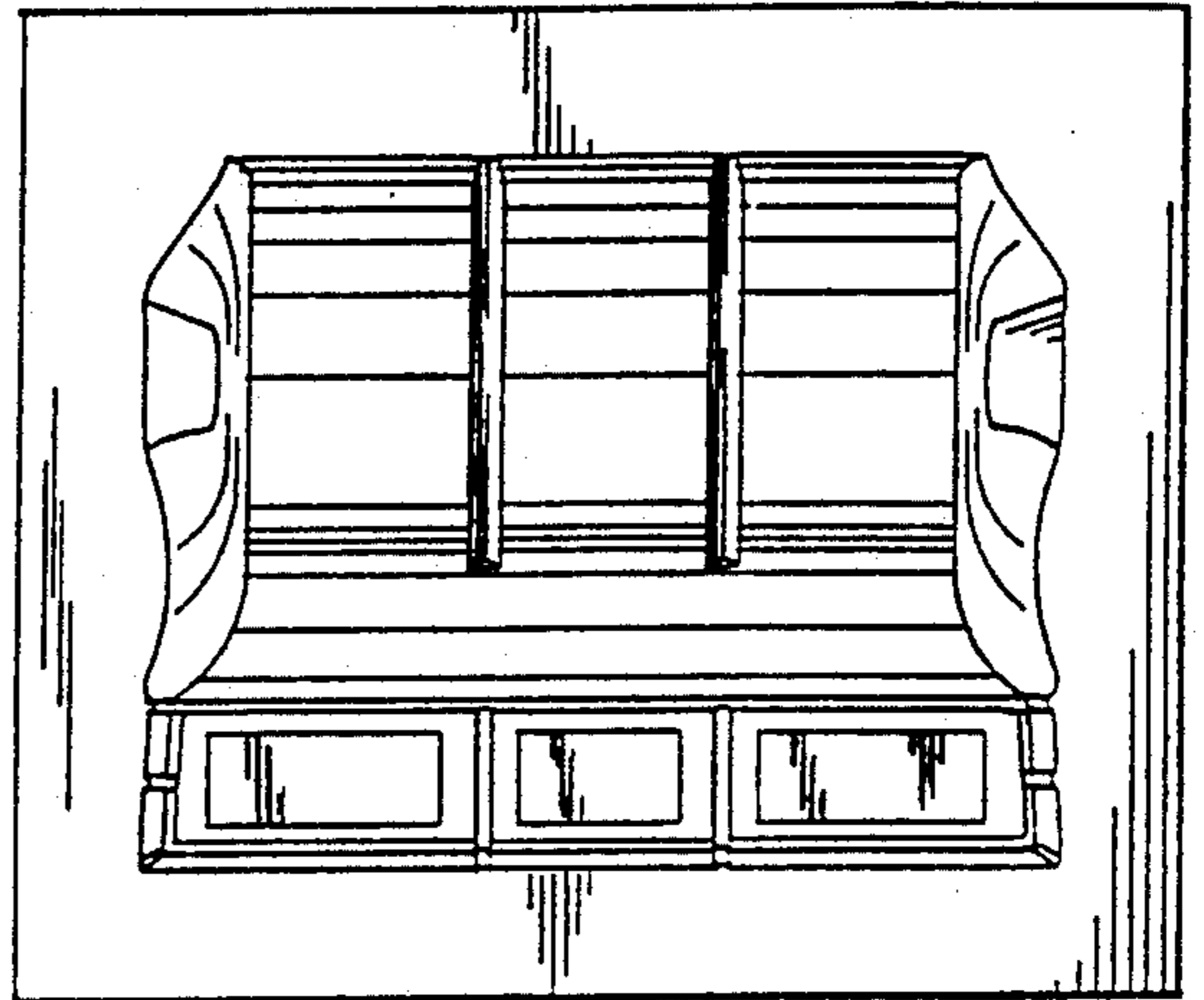


FIG. 2

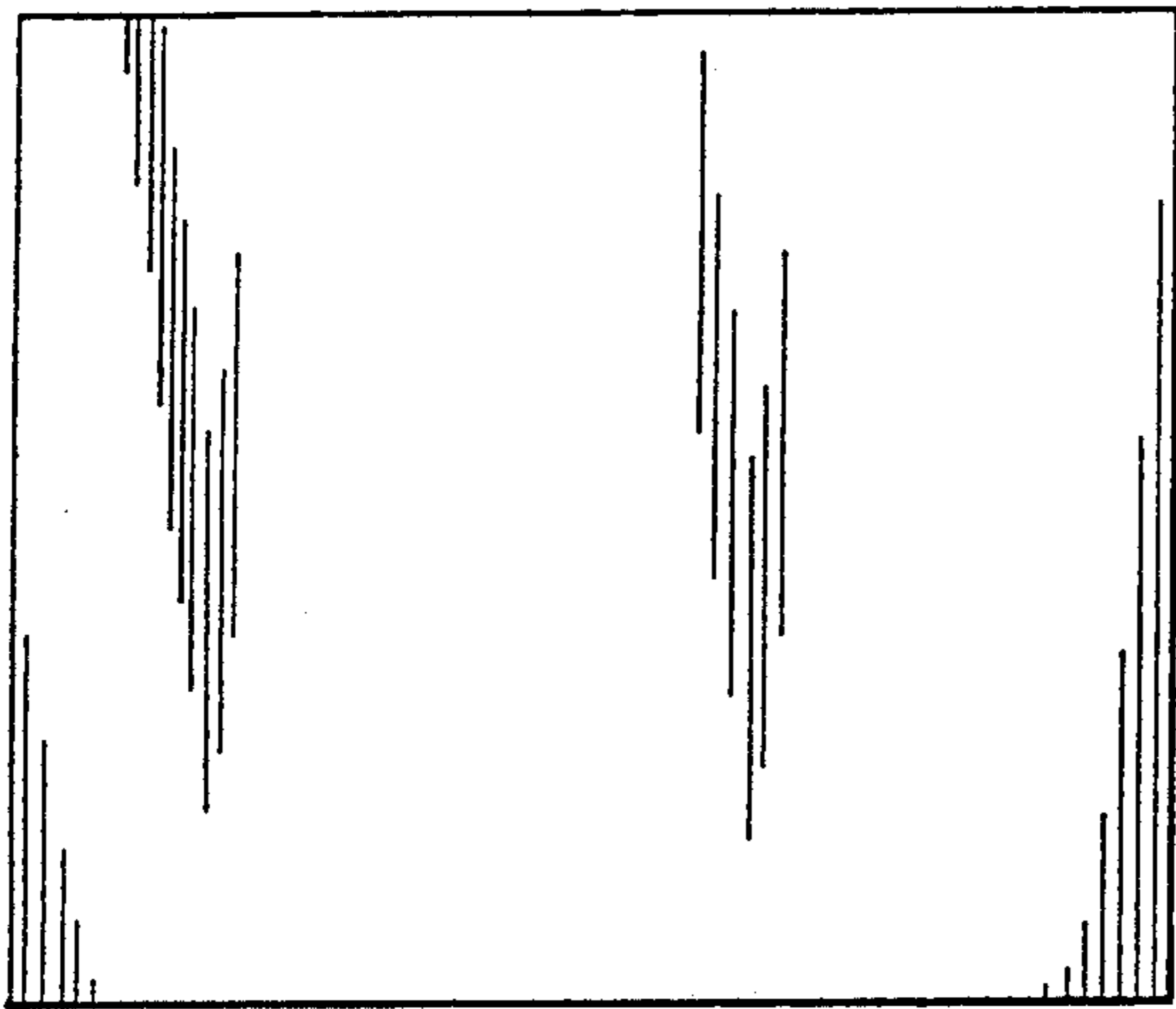


FIG. 3

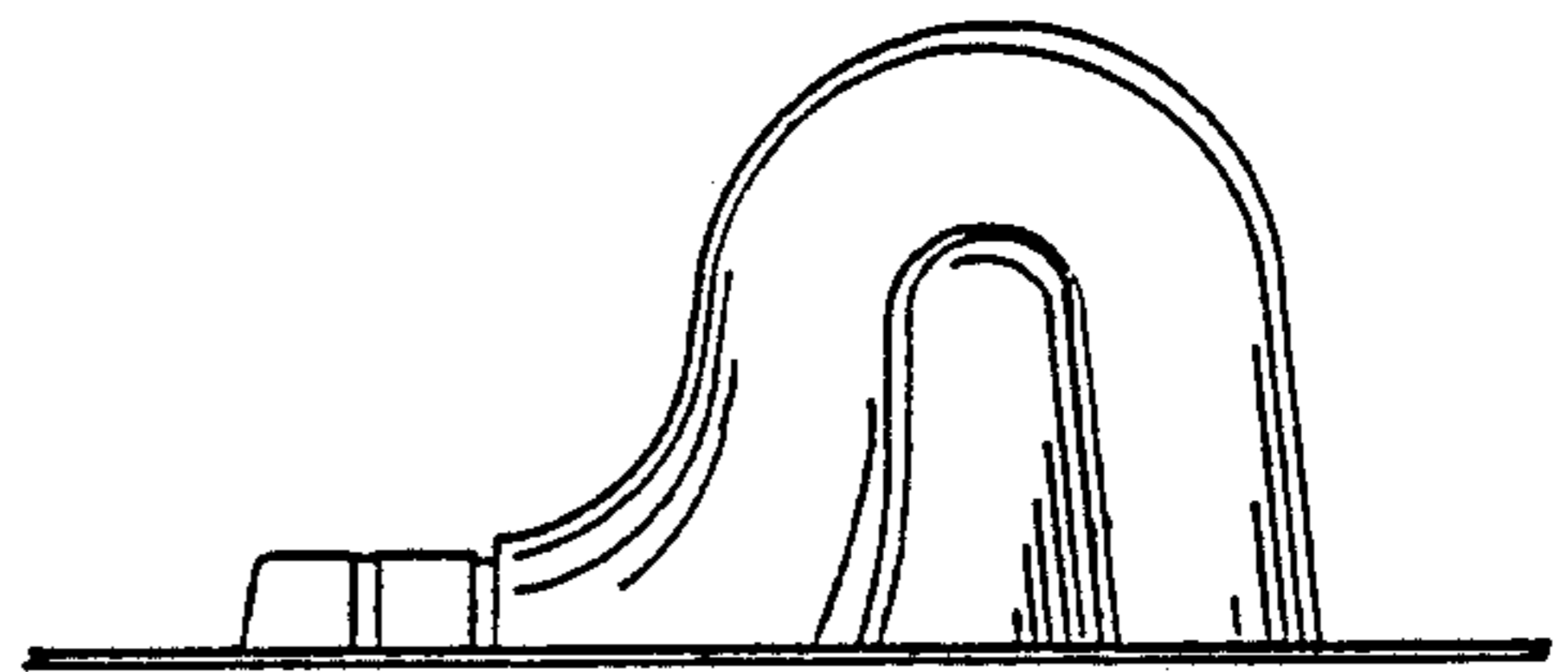


FIG. 4

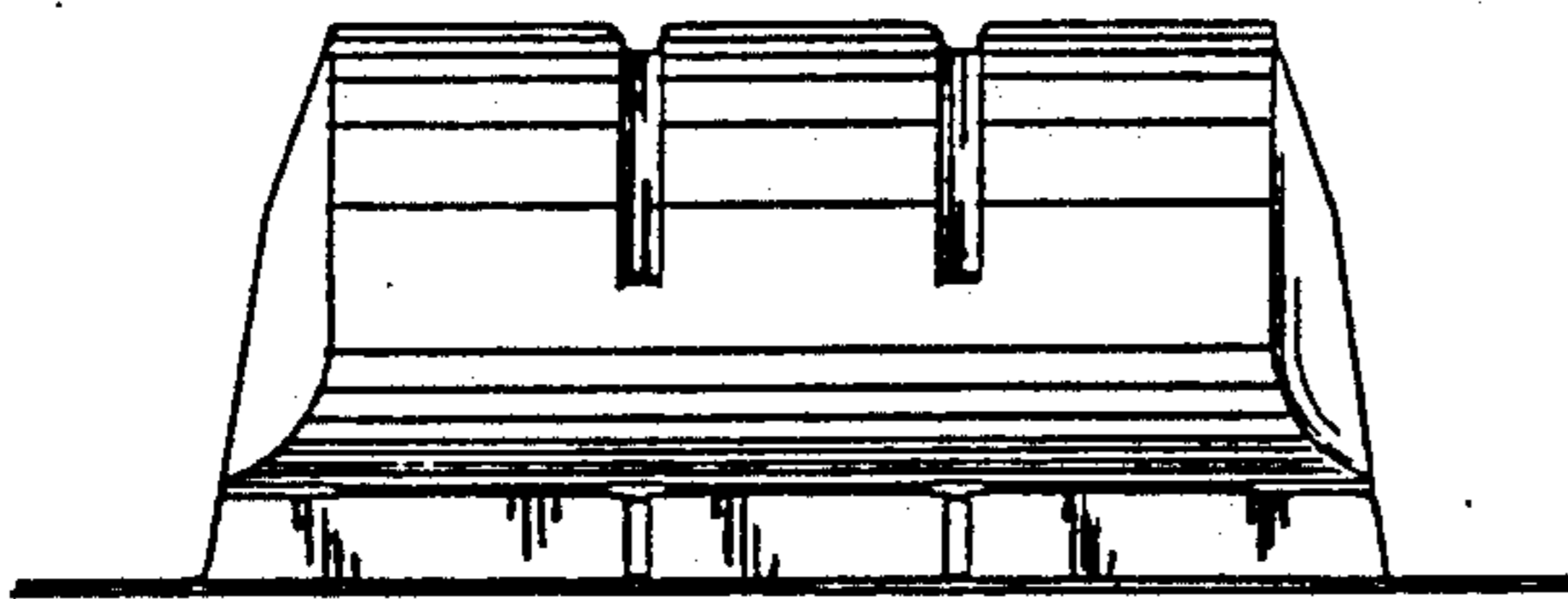


FIG. 5

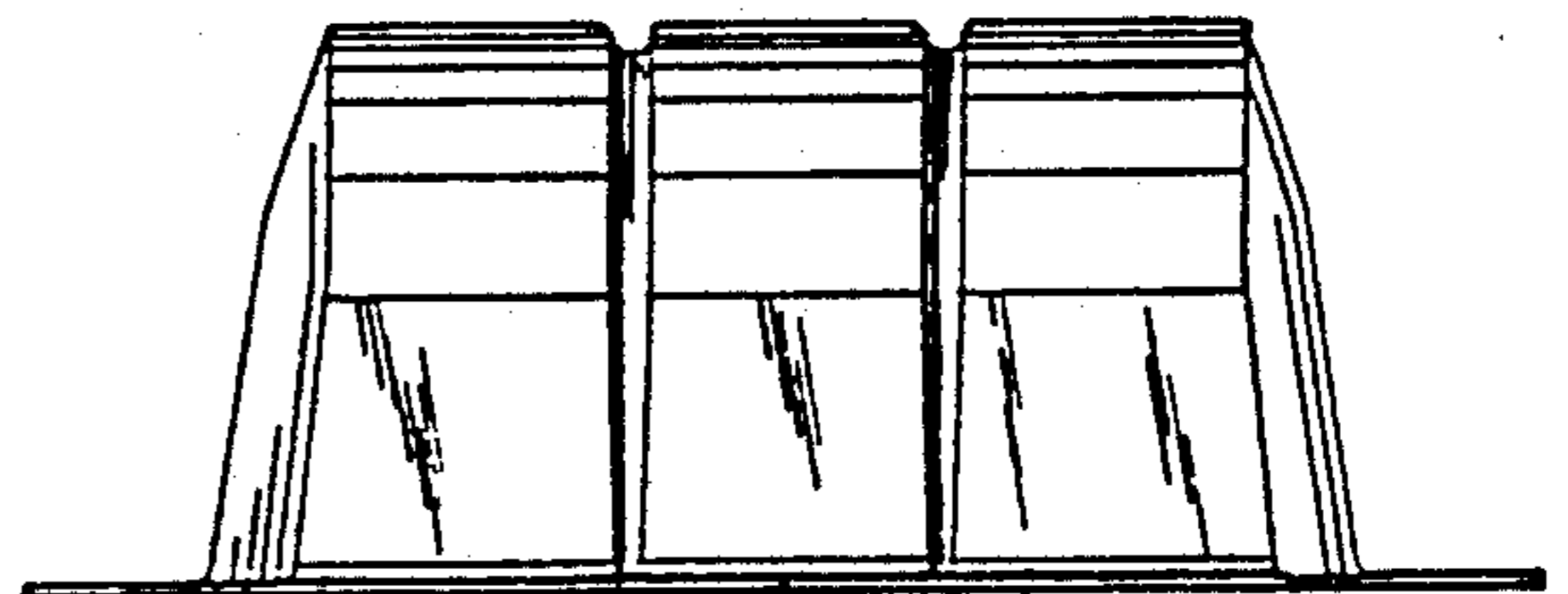


FIG. 6