



US00D324073S

United States Patent [19]

[11] Patent Number: Des. 324,073

Pinkos et al.

[45] Date of Patent: ** Feb. 18, 1992

[54] COMBINED MOUNTABLE SLATE AND WRITING INSTRUMENT CLIP

[76] Inventors: Richard Pinkos, 3220 Greentree, Bloomfield Hills, Mich. 48013; James L. Acker, 3927 Woodland, Royal Oak, Mich. 48073

[**] Term: 14 Years

[21] Appl. No.: 226,964

[22] Filed: Aug. 1, 1988

[52] U.S. Cl. D19/52; D19/88; D19/84

[58] Field of Search D14/114; D18/22; D19/36, 52, 65, 75, 78, 81-85, 86, 88, 90, 91, 99, 100; 248/441.1, 442.2; 211/69.1; 40/341-349

[56] References Cited

U.S. PATENT DOCUMENTS

- D. 82,502 11/1930 Herschmann D19/96
- D. 174,188 3/1955 Martin D19/83 X
- D. 189,187 11/1960 Farina D19/90
- D. 228,239 8/1973 Bryce D19/83
- D. 279,630 7/1985 Bart D19/91 X

- D. 286,894 11/1986 Haas et al. D19/36 X
- D. 292,418 10/1987 Perry D19/52
- D. 292,807 11/1987 Visnapuu D19/91
- 2,604,724 7/1952 Watts 211/69.1 X
- 4,511,104 4/1985 Meyer 248/441.1 X

Primary Examiner—Bruce W. Dunkins
Assistant Examiner—Martha Thompson
Attorney, Agent, or Firm—Weintraub, DuRoss & Brady

[57] CLAIM

The ornamental design for a combined mountable slate and writing instrument clip, as shown and described.

DESCRIPTION

FIG. 1 is a left front perspective view of a combined mountable slate and writing instrument clip showing our new design, the computer monitor being shown in broken lines for illustrative purposes only and forming no part of the claimed design;

FIG. 2 is a front elevational view;

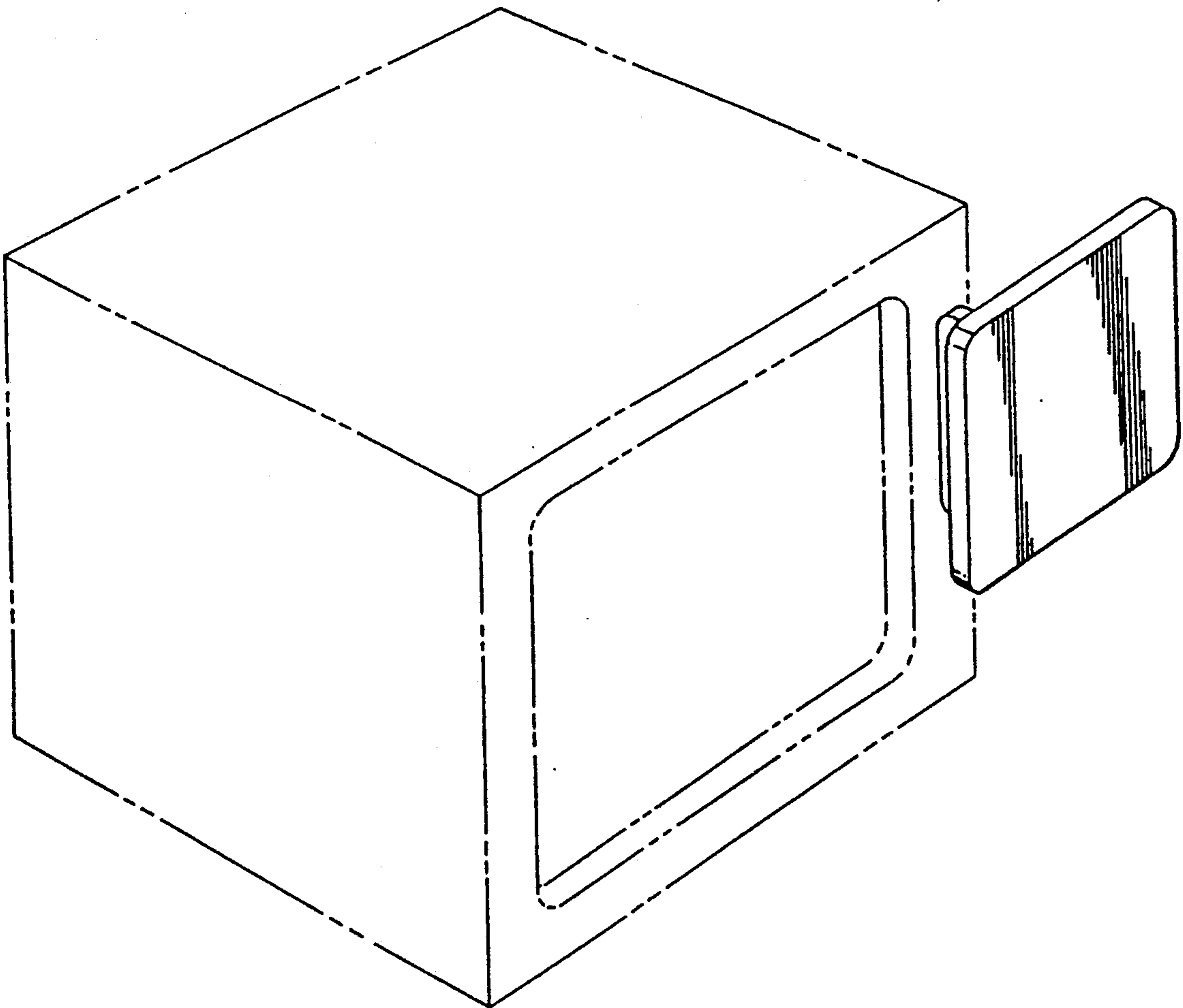
FIG. 3 is a left side elevational view;

FIG. 4 is a top plan view;

FIG. 5 is a rear elevational view;

FIG. 6 is a right side elevational view; and

FIG. 7 is a bottom plan view thereof.



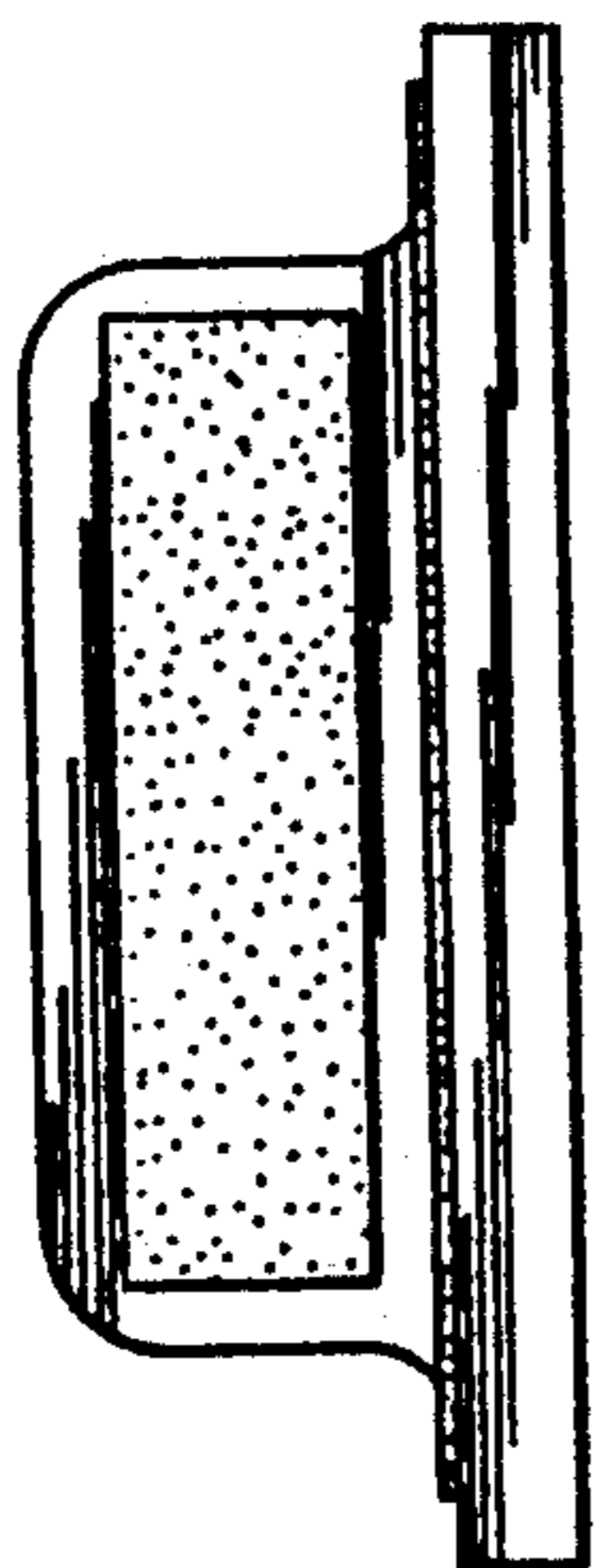
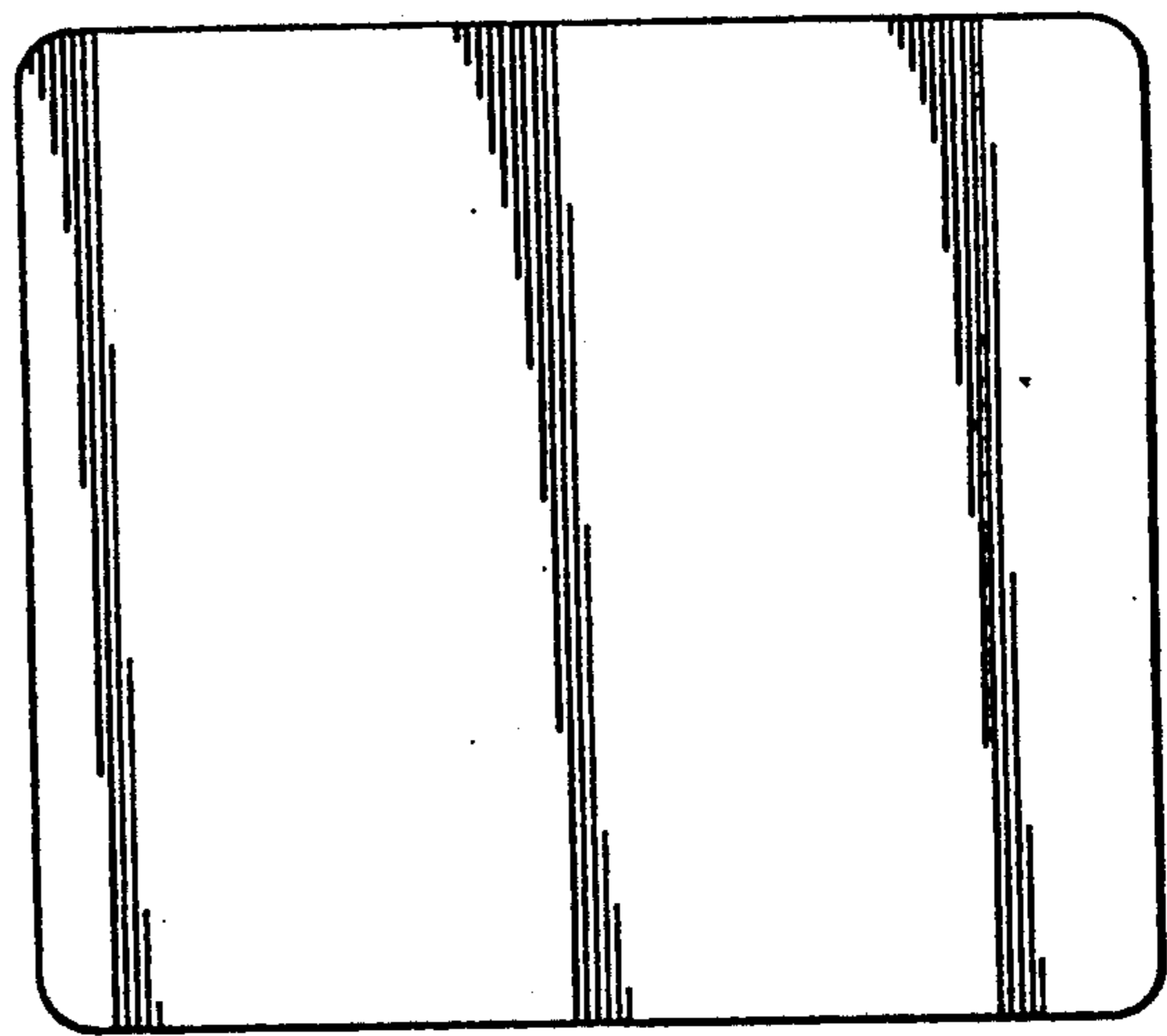
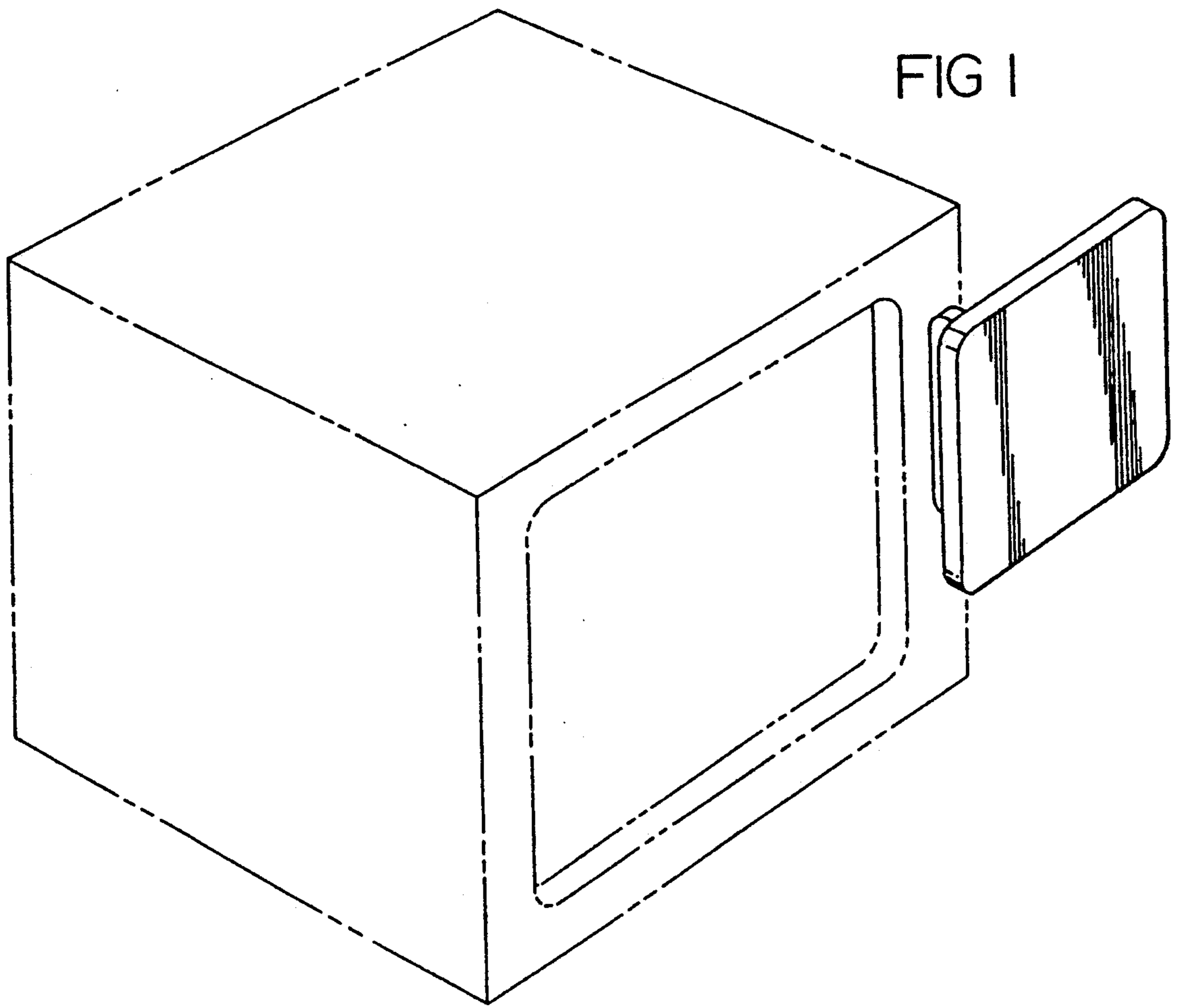


FIG 3

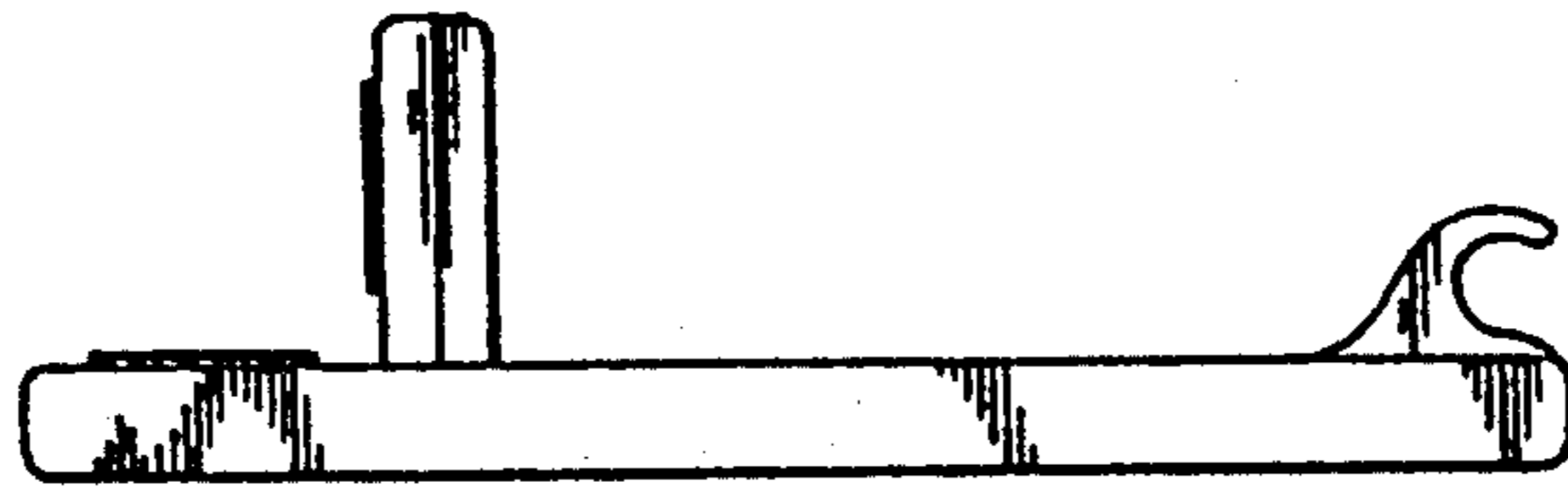


FIG 4

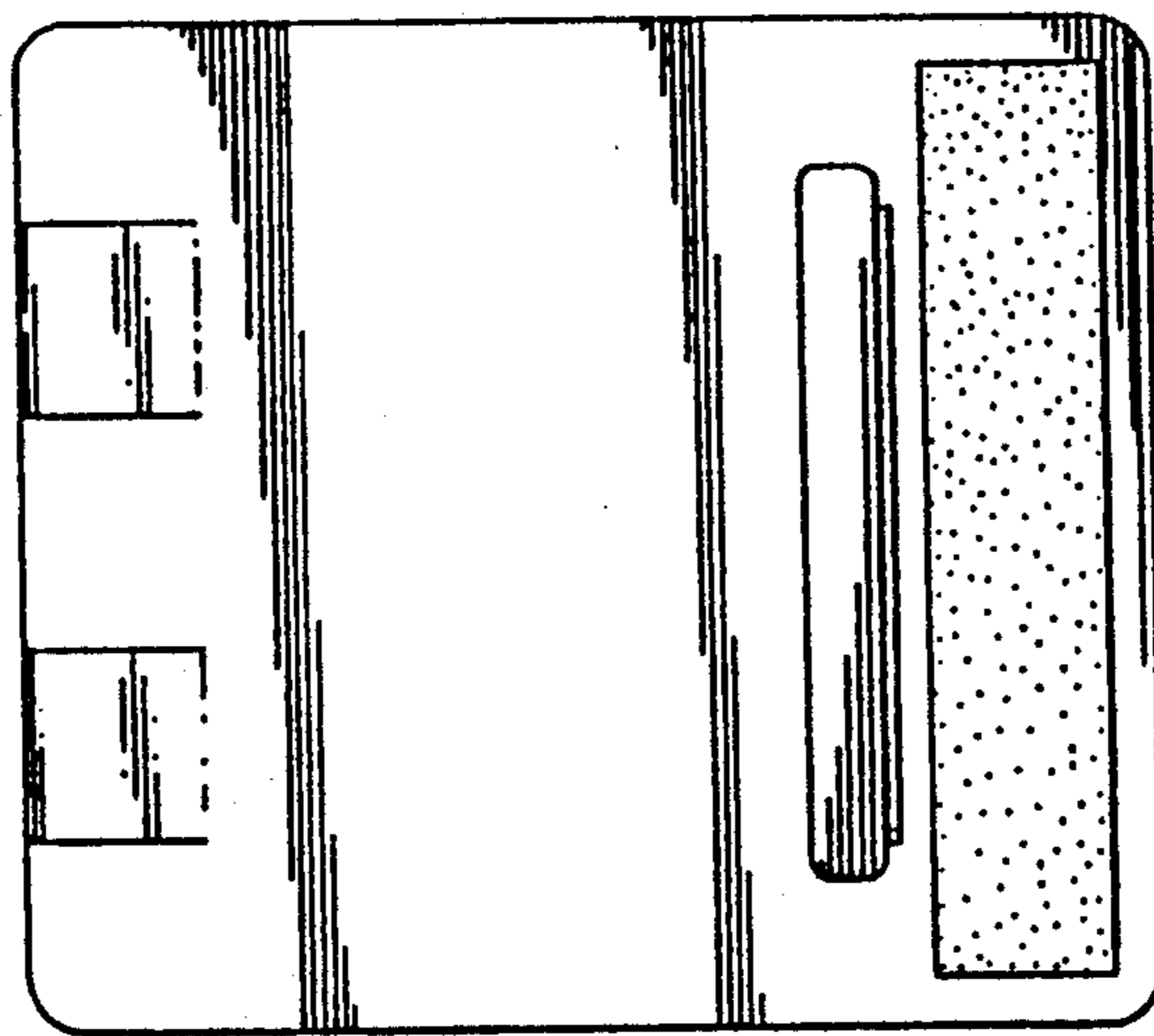


FIG 5

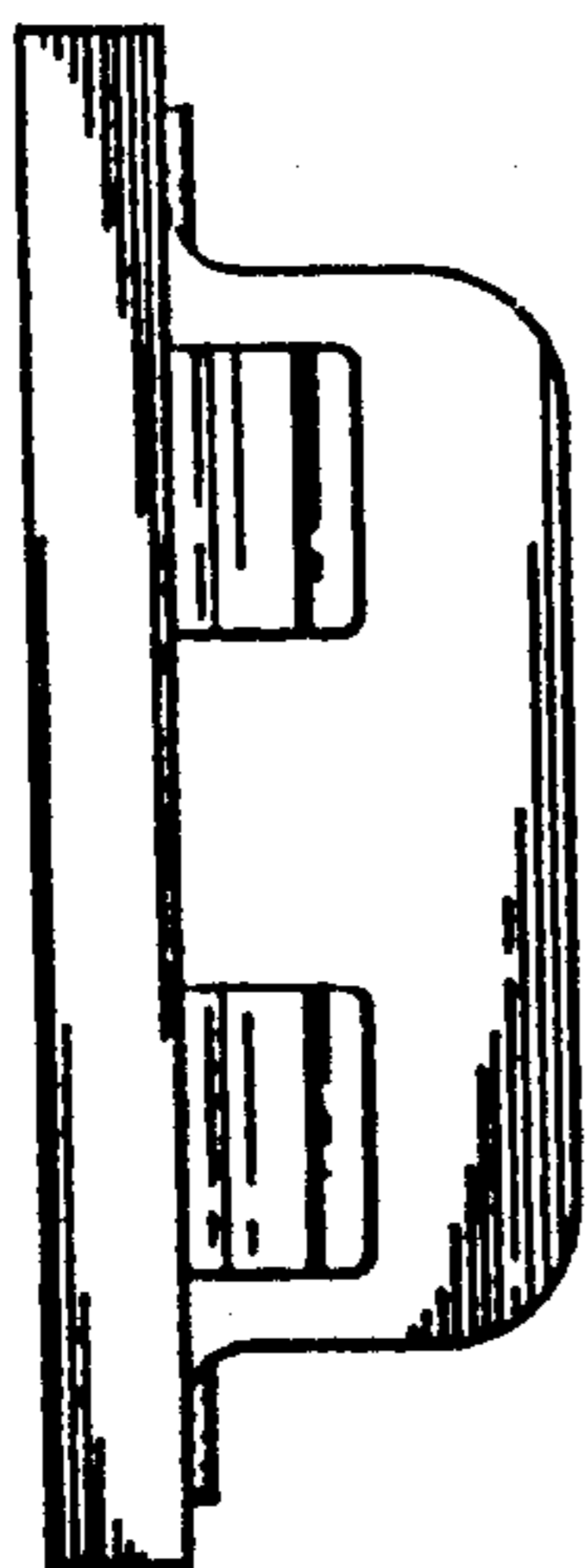


FIG 6

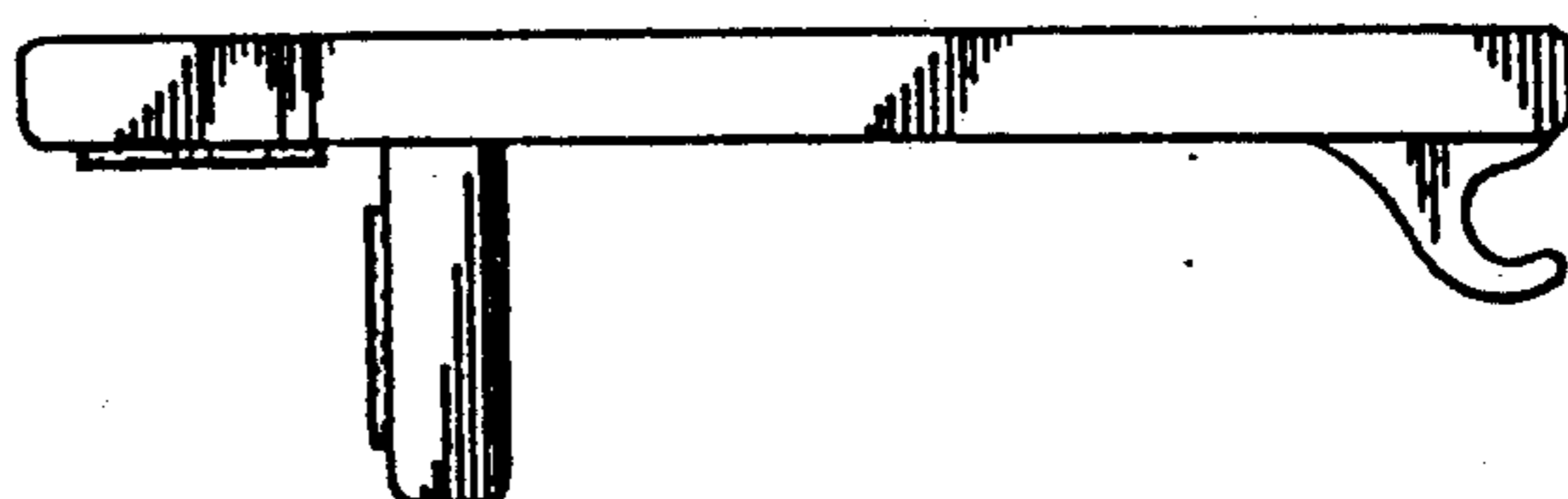


FIG 7