



US00D324072S

United States Patent [19]

von Edler et al.

[11] Patent Number: **Des. 324,072**

[45] Date of Patent: **** Feb. 18, 1992**

[54] **WRITING INSTRUMENT**

[75] Inventors: **Jens E. von Edler, Oranston; Stephen V. Boyce, North Scituate, both of R.I.**

[73] Assignee: **A. T. Cross Company, Lincoln, R.I.**

[**] Term: **14 Years**

[21] Appl. No.: **330,714**

[22] Filed: **Mar. 30, 1989**

[52] U.S. Cl. **D19/51; D19/43; D19/48; D19/56; D19/57**

[58] Field of Search **D19/35, 36, 41-51, D19/54-58, 81-85; 401/99, 209, 221, 222, 223, 243-247**

[56] **References Cited**

U.S. PATENT DOCUMENTS

| | | | | |
|------------|---------|---------------|-------|----------|
| D. 20,156 | 9/1890 | Boman | | D19/49 |
| D. 99,183 | 4/1936 | Bowker et al. | | D19/49 |
| D. 130,356 | 11/1941 | Lovejoy | | D19/48 |
| D. 213,531 | 3/1969 | Wakai | | D19/49 |
| D. 241,434 | 9/1976 | Schenk | | D19/49 |
| D. 260,648 | 9/1981 | Chiba | | D19/48 X |
| D. 274,917 | 7/1984 | Hechter | | D19/51 |
| D. 282,753 | 2/1986 | LeBlanc | | D19/51 X |
| D. 284,872 | 7/1986 | Booker | | D19/48 |
| D. 286,649 | 11/1986 | Hamel | | D19/51 X |
| D. 287,736 | 1/1987 | Henkels | | D19/49 |
| D. 289,425 | 4/1987 | Thévenot | | D19/49 |
| D. 297,021 | 8/1988 | Grossiord | | D19/51 |
| D. 312,837 | 12/1990 | Oka | | D19/51 |

OTHER PUBLICATIONS

Altman Luggage Co., ©1988, see p. 20, Cross Pen, item B—desk copy.

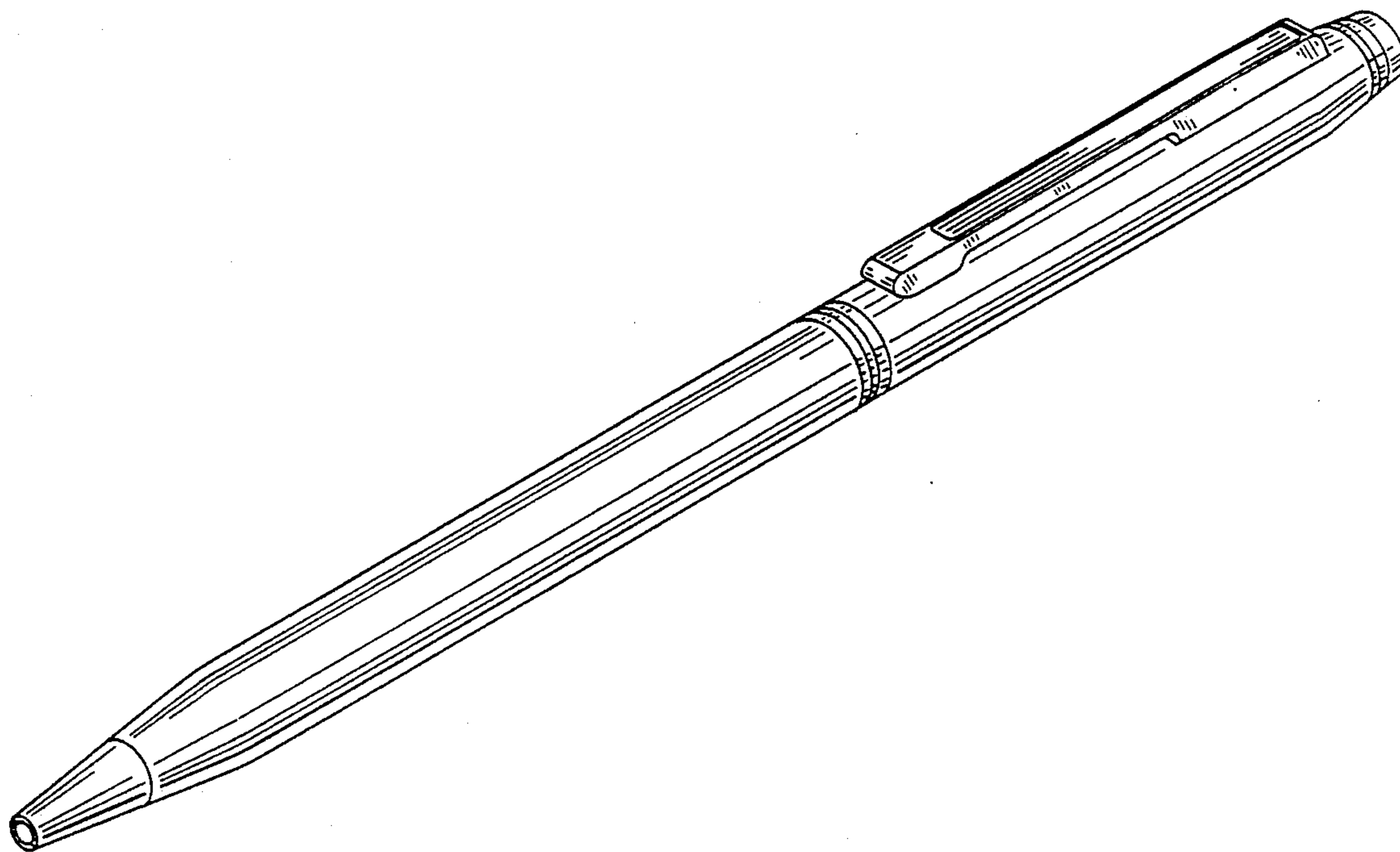
Primary Examiner—Bruce W. Dunkins
Assistant Examiner—Martha Thompson
Attorney, Agent, or Firm—Colucci & Umans

[57] **CLAIM**

The ornamental design for a writing instrument, as shown and described.

DESCRIPTION

FIG. 1 is a bottom, right front perspective view of a writing instrument showing our new design;
 FIG. 2 is a bottom plan view of FIG. 1 drawn to an enlarged scale;
 FIG. 3 is a top plan view of FIG. 1 drawn to an enlarged scale;
 FIG. 4 is a rear elevational view of FIG. 1;
 FIG. 5 is a front elevational view of FIG. 1;
 FIG. 6 is a right side elevational view of FIG. 1, the left side being a mirror image thereof;
 FIG. 7 is a bottom, right front perspective view of a second embodiment of our new design;
 FIG. 8 is a bottom plan view of FIG. 7 drawn to an enlarged scale;
 FIG. 9 is a top plan view of FIG. 7 drawn to an enlarged scale;
 FIG. 10 is a rear elevational view of FIG. 7;
 FIG. 11 is a front elevational view of FIG. 7;
 FIG. 12 is a right side elevational view of FIG. 7, the left side being a mirror image thereof;
 FIG. 13 is a bottom, right front perspective view of a third embodiment of our new design;
 FIG. 14 is a bottom plan view of FIG. 13;
 FIG. 15 is a top plan view of FIG. 13;
 FIG. 16 is a rear elevational view of FIG. 13;
 FIG. 17 is a front elevational view of FIG. 13; and
 FIG. 18 is a right side elevational view of FIG. 13, the left side being a mirror image thereof.



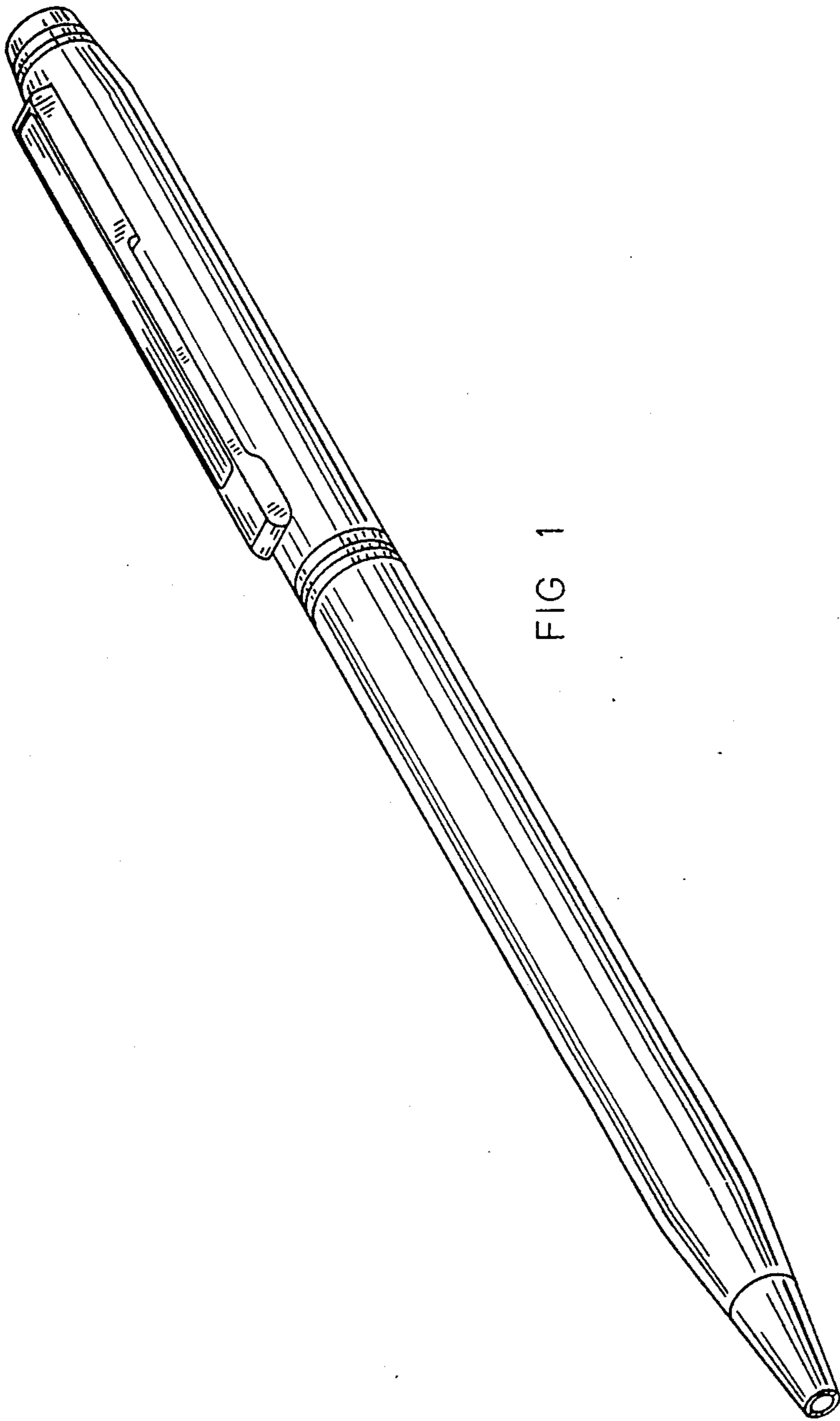


FIG 1

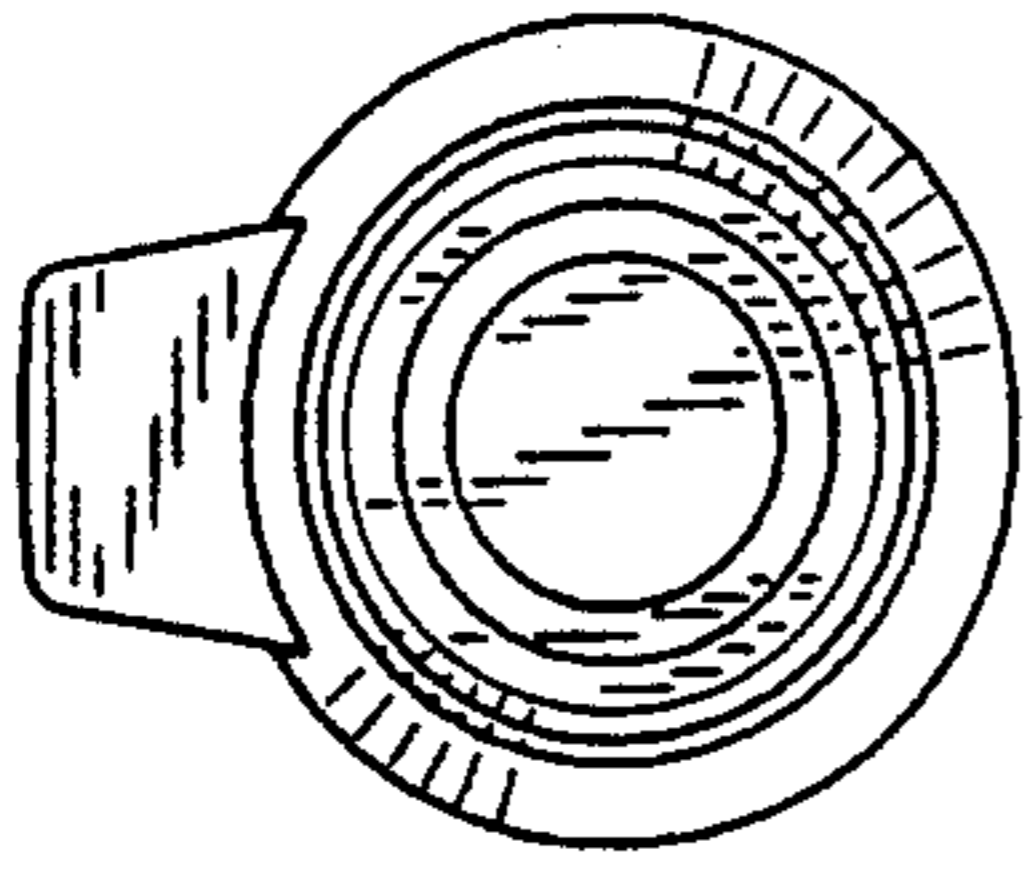


FIG 3

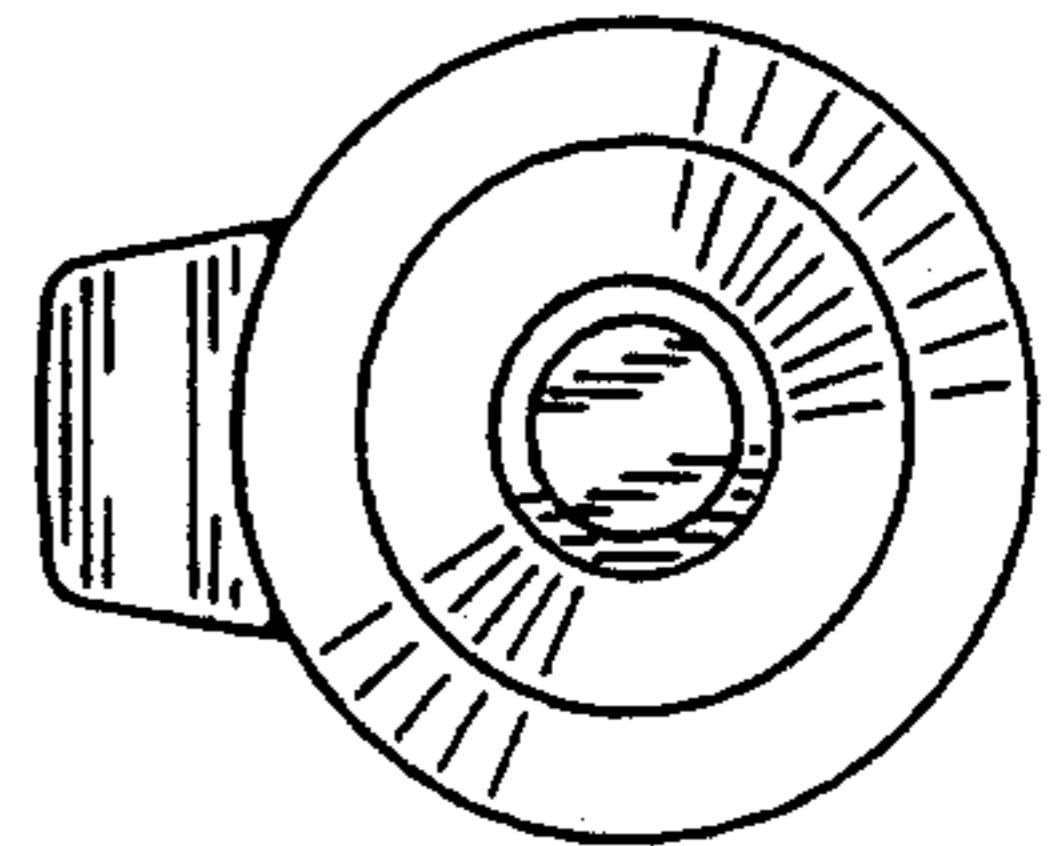


FIG 2

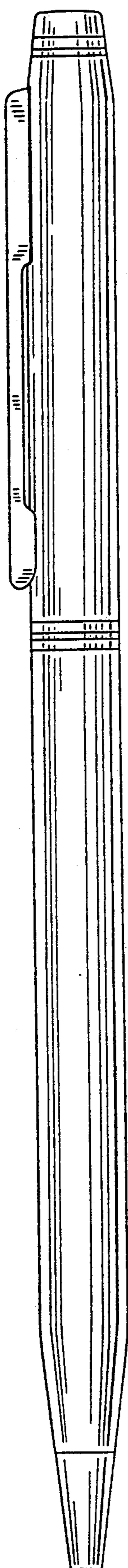


FIG 6

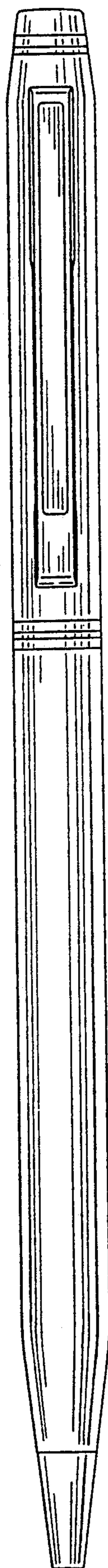


FIG 5



FIG 4

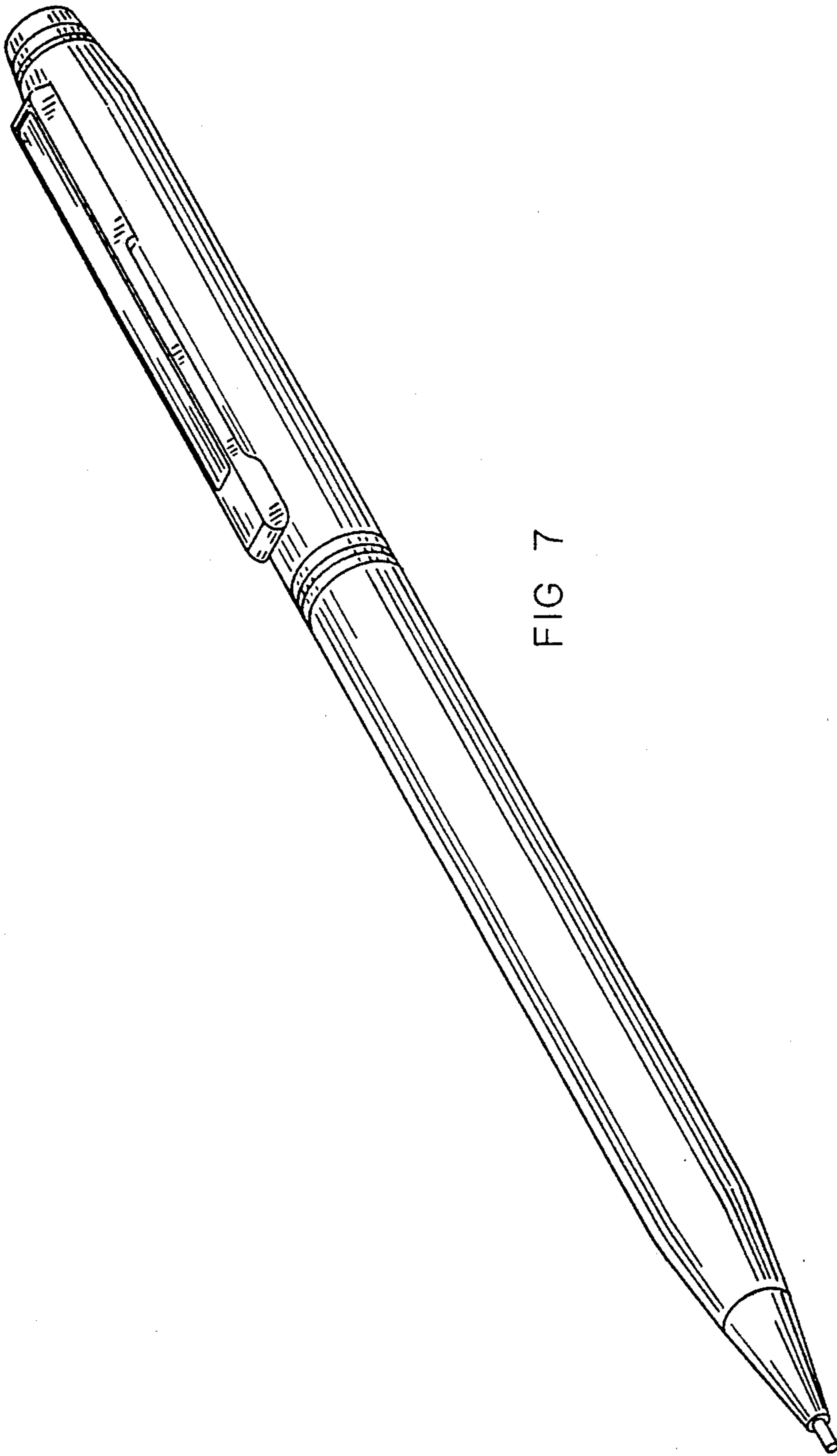


FIG 7

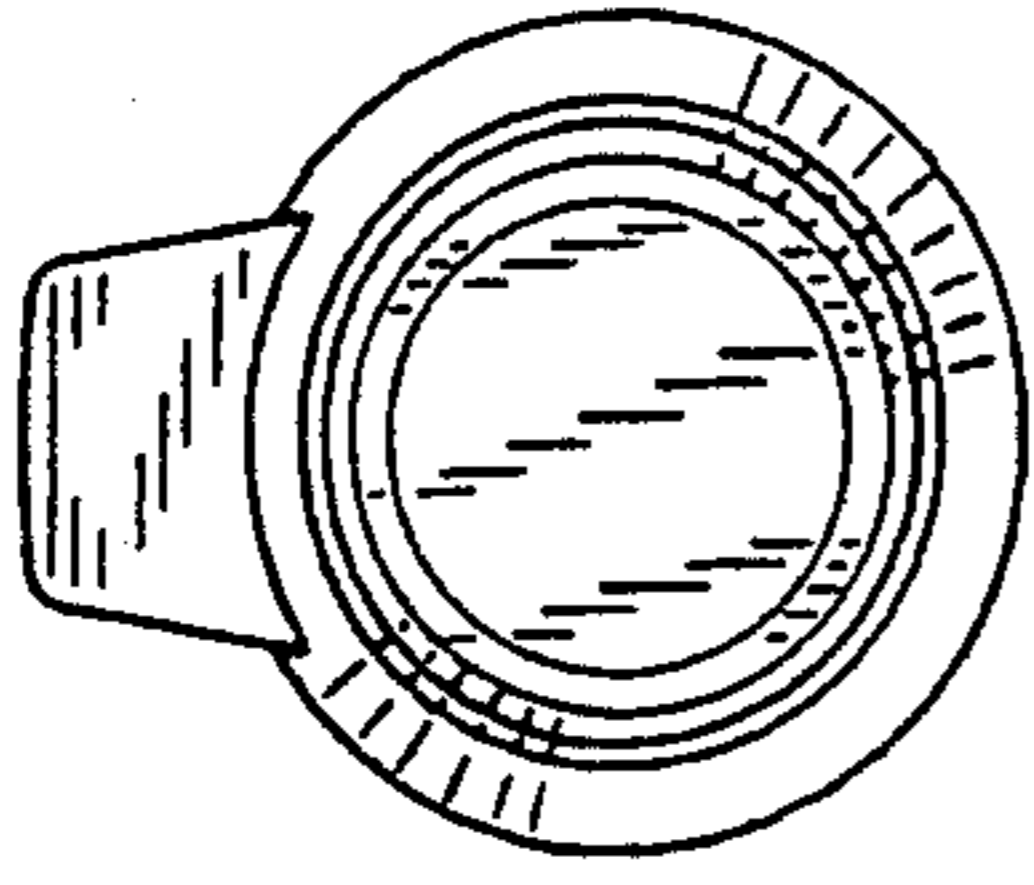


FIG 9

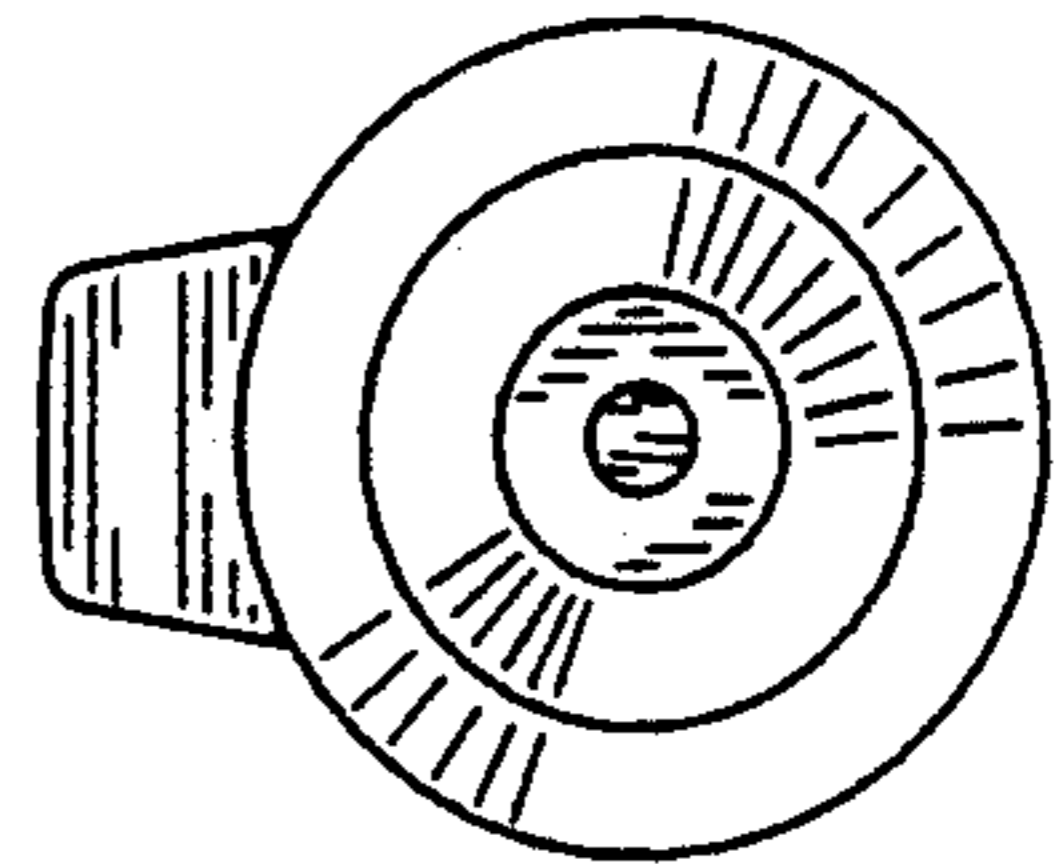


FIG 8

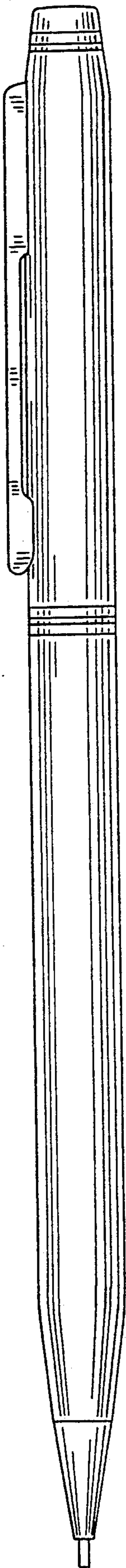


FIG 12

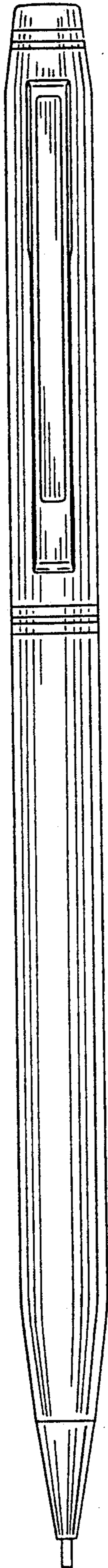


FIG 11

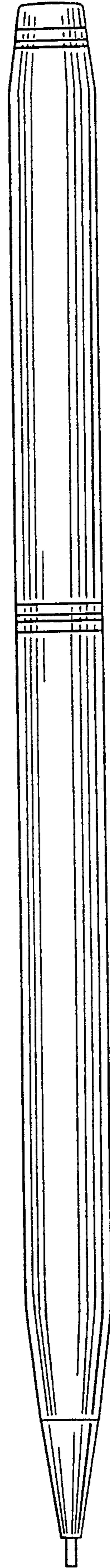


FIG 10

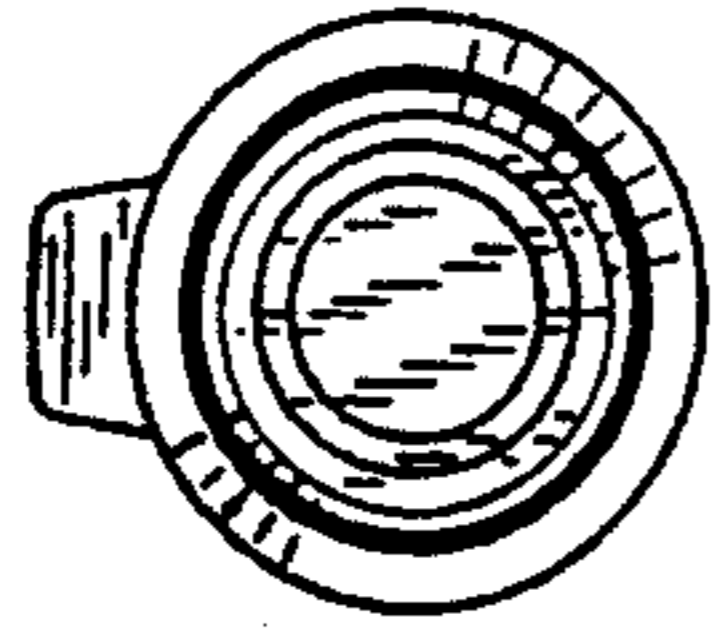


FIG 15

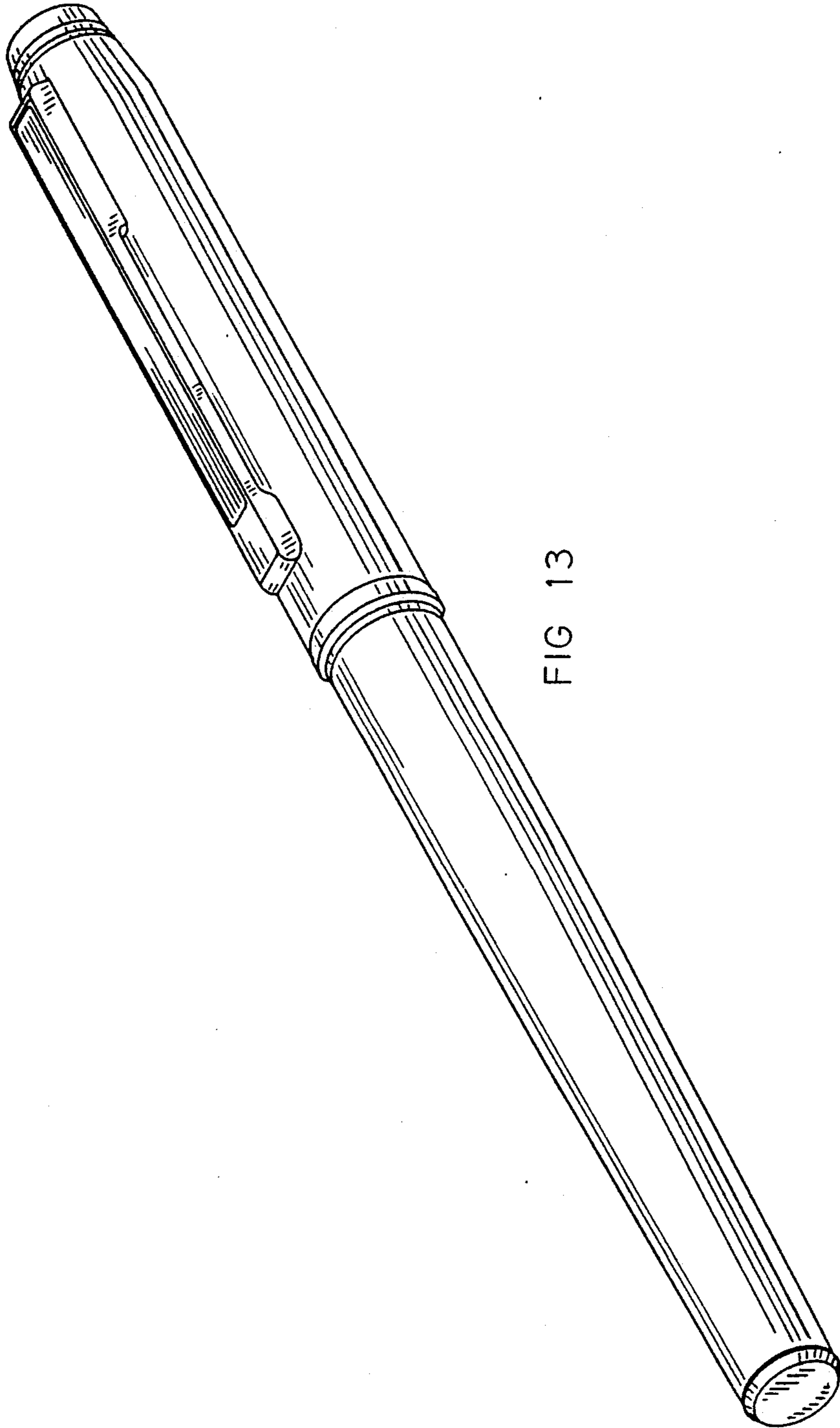


FIG 13

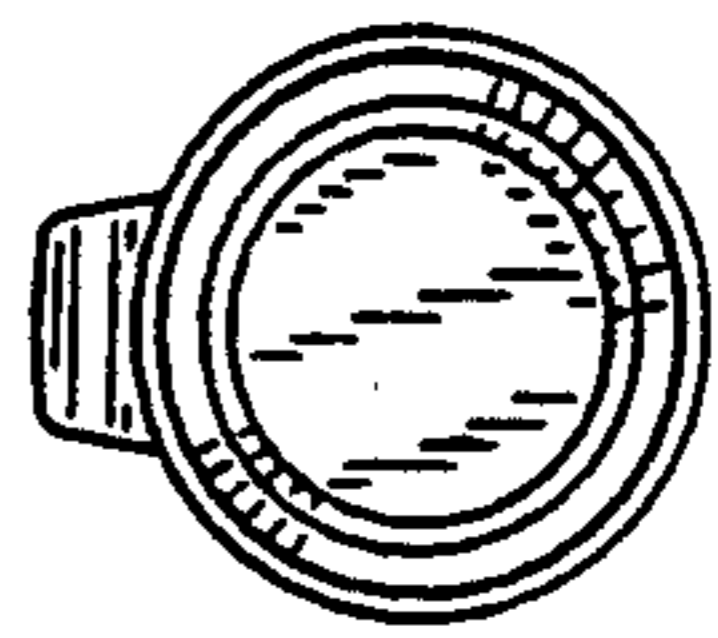


FIG 14

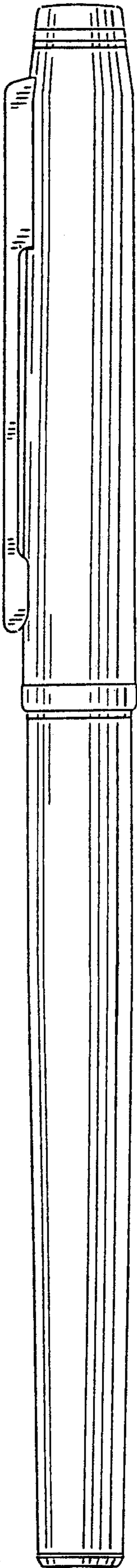


FIG 18

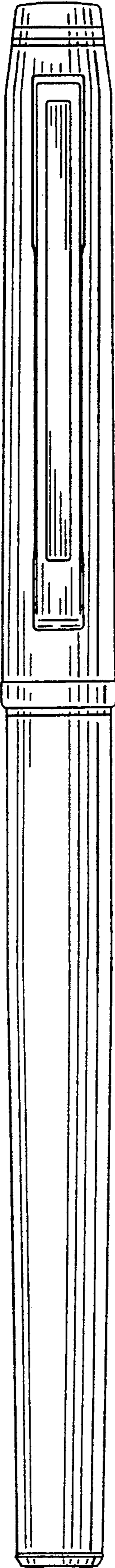


FIG 17

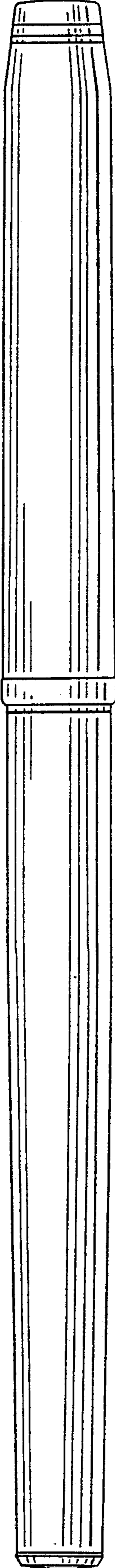


FIG 16