



US00D324055S

# United States Patent [19]

[11] Patent Number: **Des. 324,055**

Sakai et al.

[45] Date of Patent: **\*\* Feb. 18, 1992**

[54] CIRCULAR SAW

[75] Inventors: **Kenji Sakai; Shigeharu Ushiwata,**  
both of Fukushima, Japan

[73] Assignee: **Hitachi Koki Haramachi Co., Ltd.,**  
Fukushima, Japan

[\*\*] Term: **14 Years**

[21] Appl. No.: **390,994**

[22] Filed: **Aug. 9, 1989**

[30] Foreign Application Priority Data

Feb. 10, 1989 [JP] Japan ..... 1-4868

[52] U.S. Cl. .... **D15/133**

[58] Field of Search ..... **D8/66, 71; D15/133,**  
**D15/135; 83/471.2, 471.3, 477, 581**

[56] References Cited

### U.S. PATENT DOCUMENTS

D. 277,581 2/1985 Hakoda ..... D15/125

D. 295,823 5/1988 Brickner, Jr. et al. .... D15/133

|            |        |                      |            |
|------------|--------|----------------------|------------|
| D. 305,542 | 1/1990 | Miyamoto et al. .... | D15/133    |
| 3,821,918  | 7/1974 | Niehaus et al. ....  | D15/133 X  |
| 4,638,700  | 1/1987 | Fushiya et al. ....  | 83/471.3 X |
| 4,799,416  | 1/1989 | Kunasaka et al. .... | 83/471.3 X |
| 5,042,348  | 8/1991 | Brundage et al. .... | 83/471.3   |

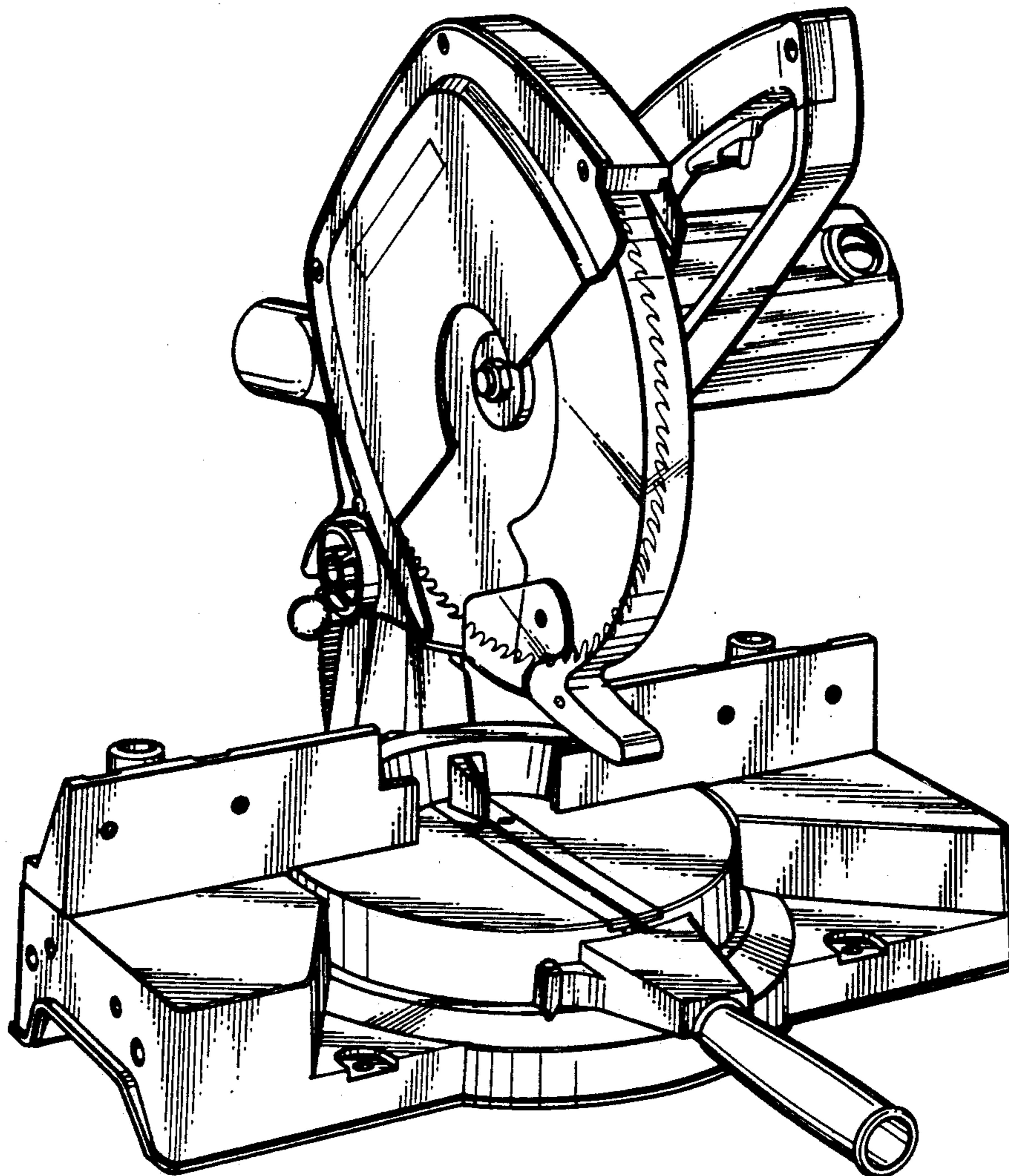
*Primary Examiner*—Bruce W. Dunkins  
*Assistant Examiner*—Antoine D. Davis  
*Attorney, Agent, or Firm*—Sughrue, Mion, Zinn  
Macpeak & Seas

### [57] CLAIM

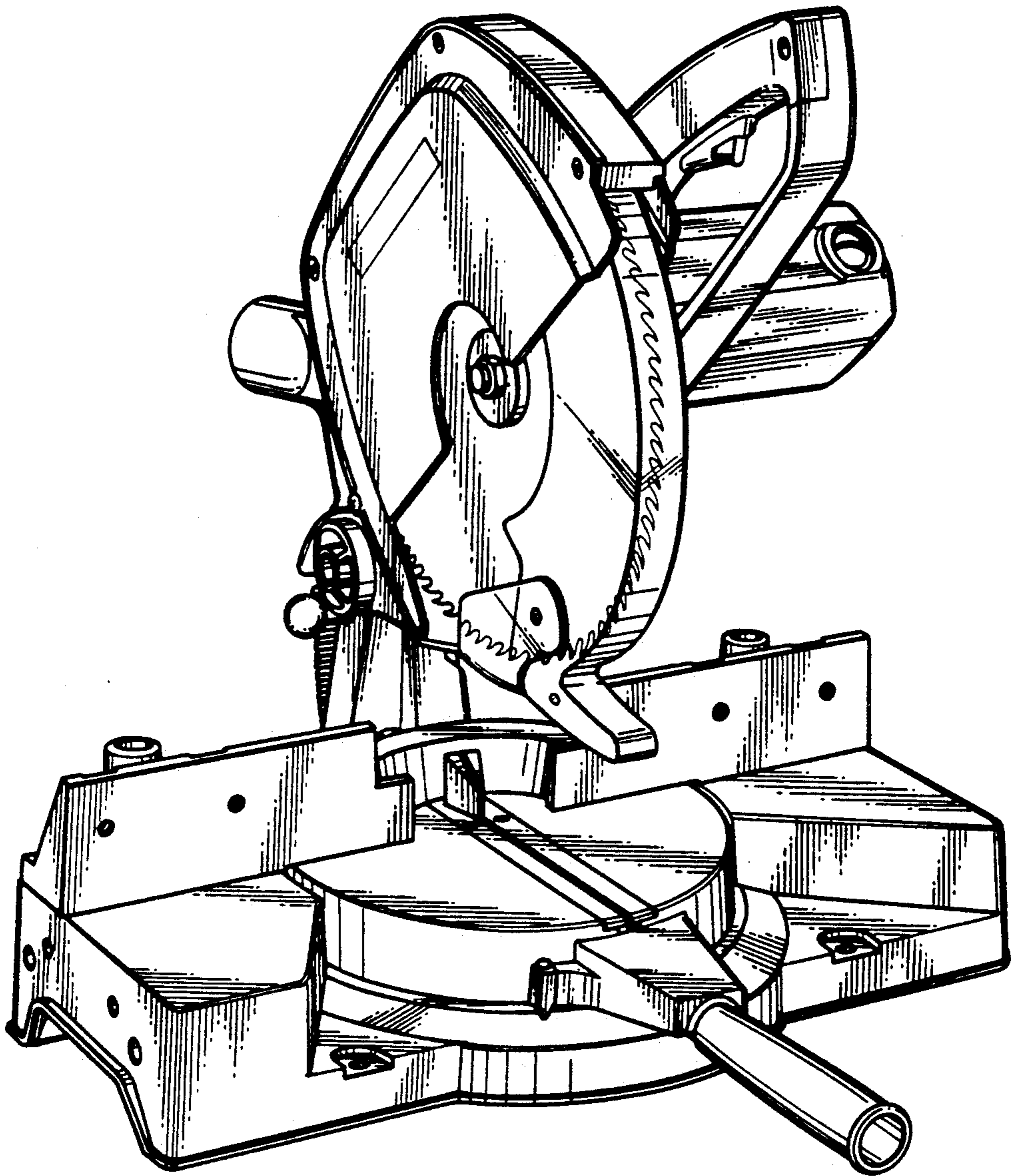
The ornamental design of a circular saw, as shown.

### DESCRIPTION

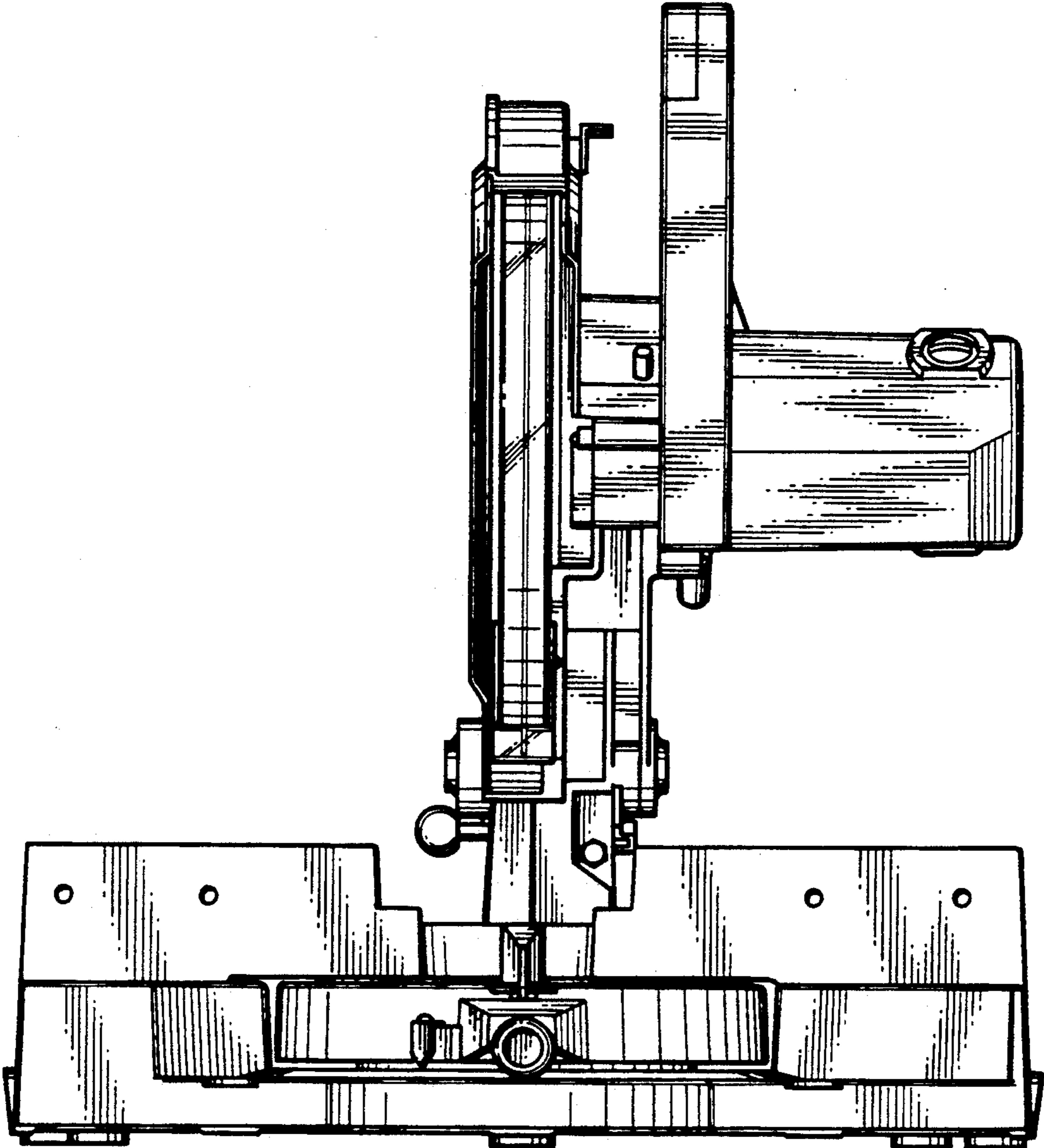
FIG. 1 is a top, front and left side perspective view of a circular saw showing our new design; FIG. 2 is a front elevational view; FIG. 3 is a rear elevational view; FIG. 4 is a top plan view; FIG. 5 is a bottom plan view; FIG. 6 is a left side elevational view; and FIG. 7 is a right side elevational view thereof.



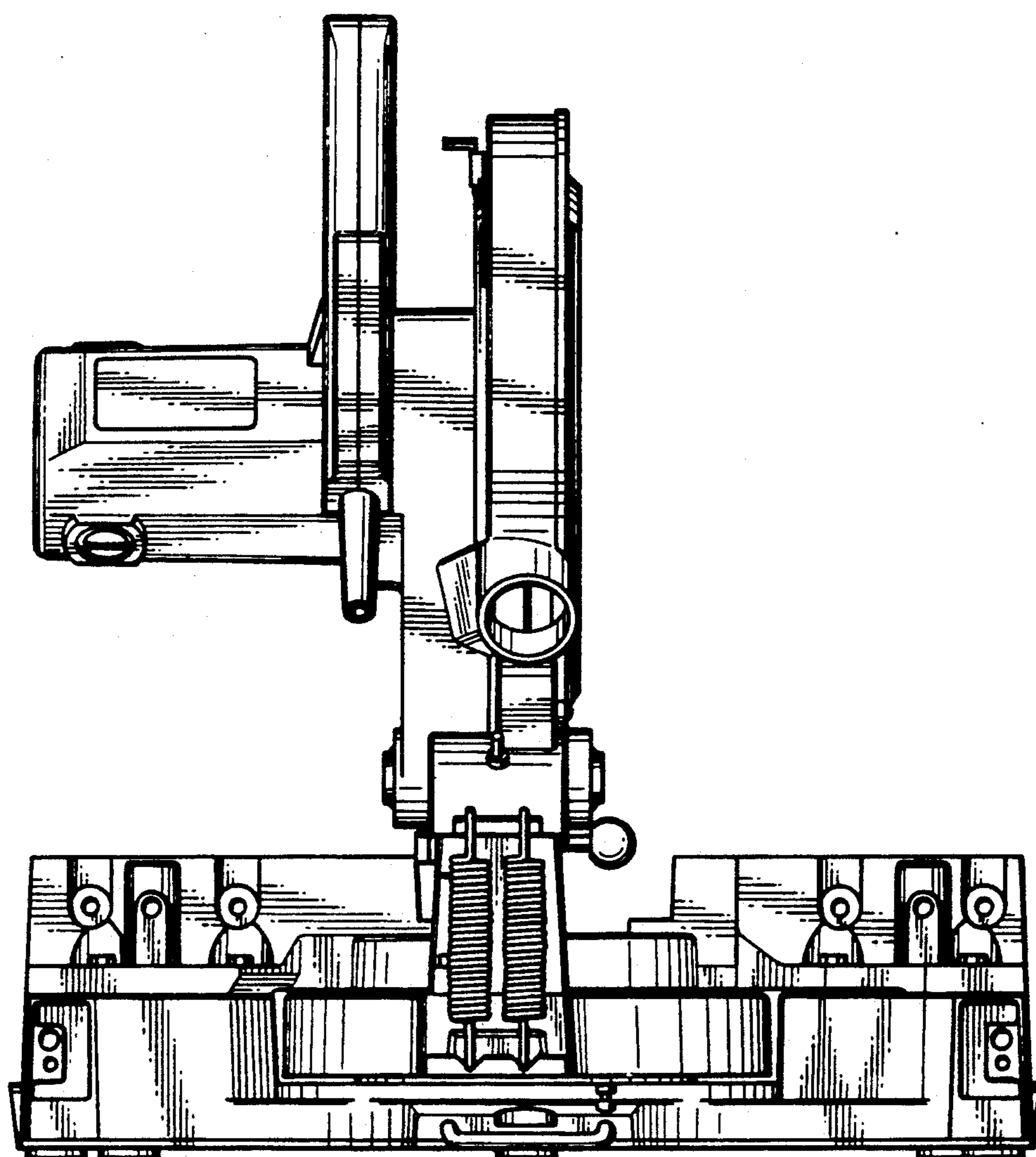
*Fig. 1*



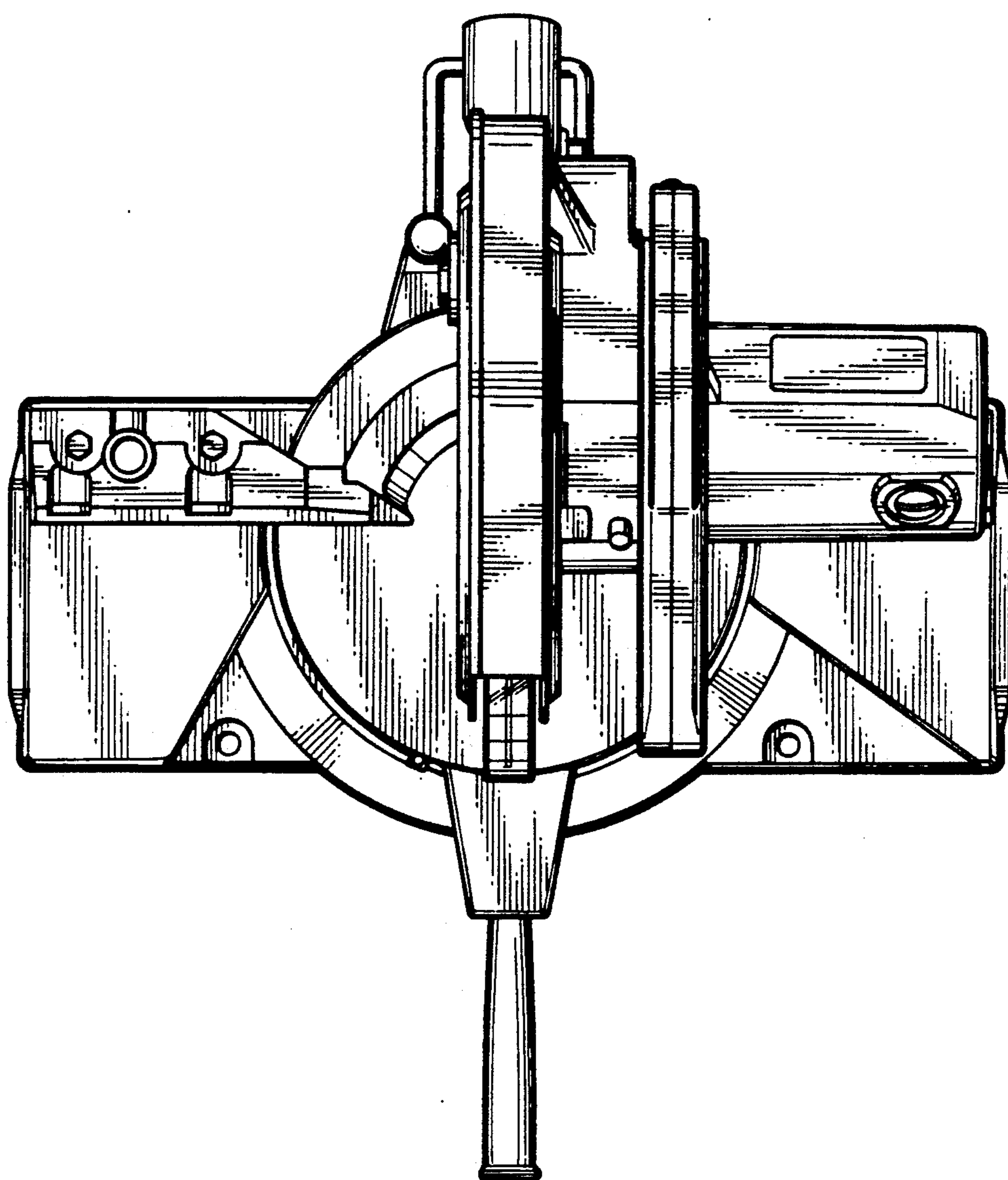
*Fig. 2*



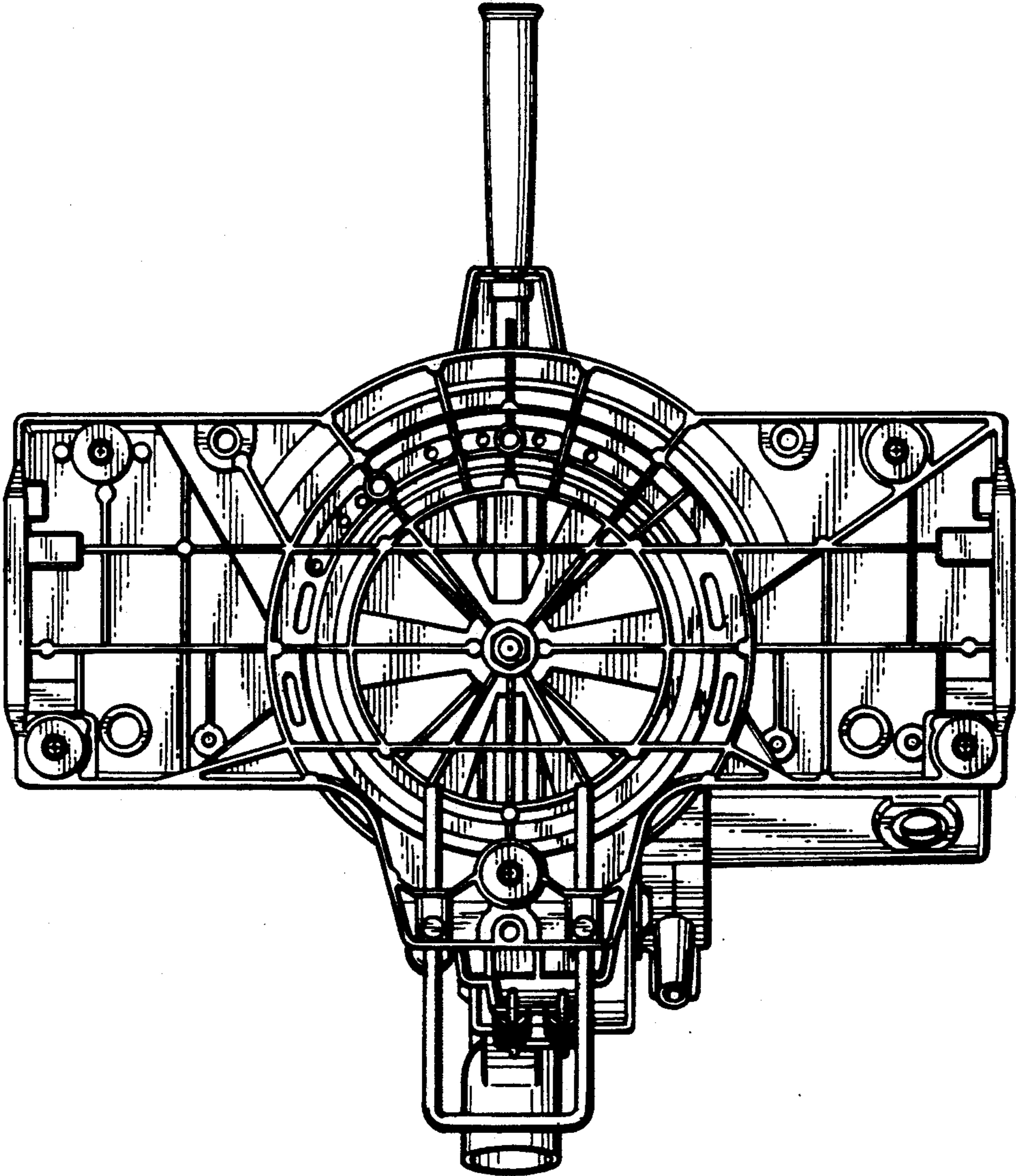
*Fig. 3*



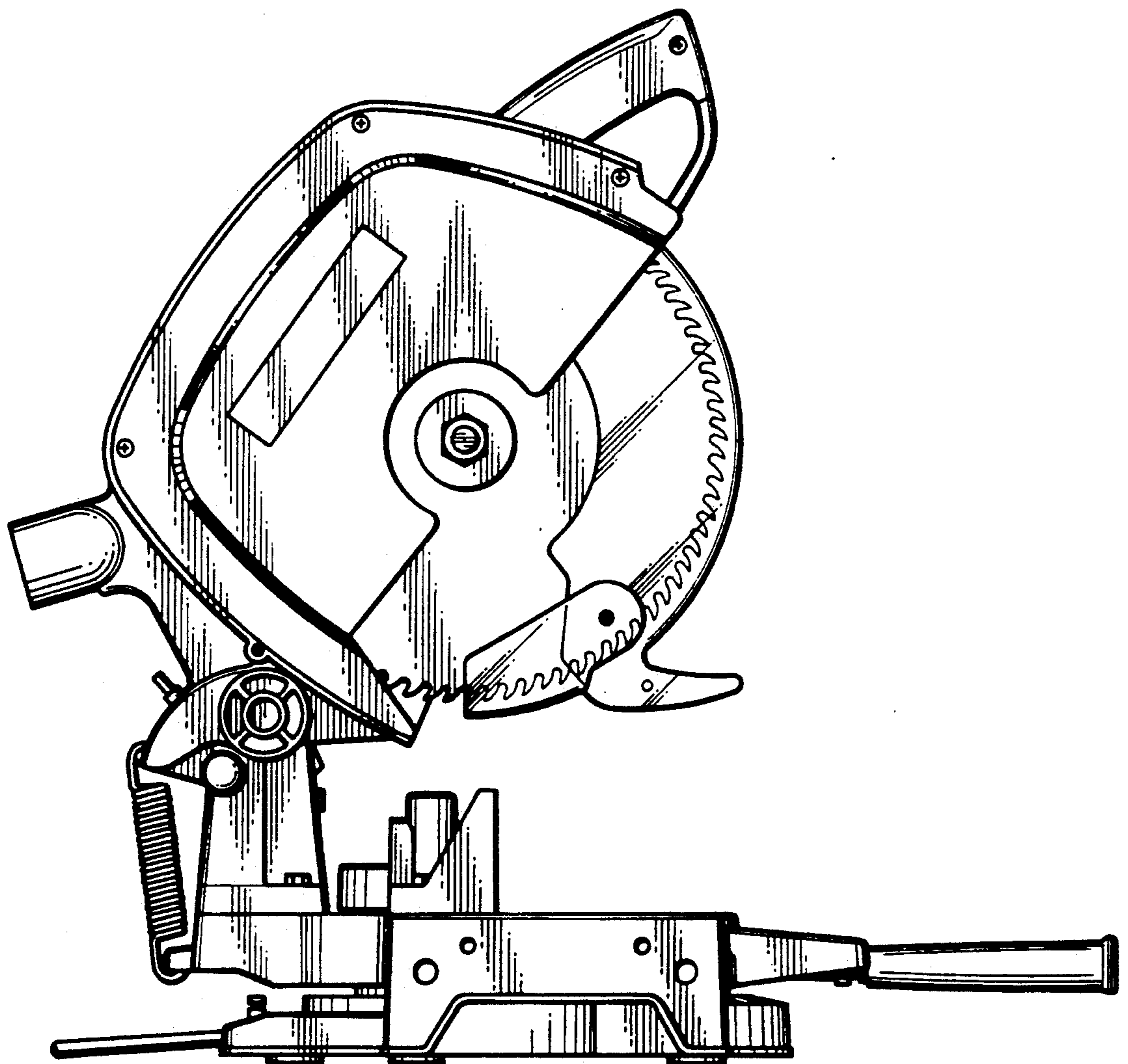
*Fig. 4*



*Fig. 5*



*Fig. 6*



*Fig. 7*

