



US00D324054S

United States Patent [19]

[11] Patent Number: **Des. 324,054**

Smith

[45] Date of Patent: **** Feb. 18, 1992**

[54] **BUCKET HOLDER**

3,907,143	9/1975	Brown et al.	414/705
4,341,026	7/1982	Uchida et al.	414/705
4,576,543	3/1986	Kuchyt et al.	414/685
4,962,598	10/1990	Woolhiser et al.	37/117.5

[75] Inventor: **Carl S. R. Smith, Stockholm, Sweden**

[73] Assignee: **Nordiska Industrimaskiner AB, Stockholm, Sweden**

[**] Term: **14 Years**

Primary Examiner—Melvin B. Feifer
Assistant Examiner—Sandra Morris
Attorney, Agent, or Firm—Sughrue, Mion, Zinn, Macpeak & Seas

[21] Appl. No.: **295,179**

[22] Filed: **Jan. 9, 1989**

[57] **CLAIM**

The ornamental design for a bucket holder, as shown and described.

[30] **Foreign Application Priority Data**

Jul. 8, 1988 [SE] Sweden 881655

[52] U.S. Cl. **D15/32; D15/28**

[58] Field of Search **D15/10, 25, 26, 28, D15/29, 32, 33; 37/117.5, 118 A; 414/705, 722**

DESCRIPTION

FIG. 1 is a front perspective view of a bucket holder, showing my new design;
FIG. 2 is a rear perspective view thereof;
FIG. 3 is a front elevational view thereof;
FIG. 4 is a top plan view thereof;
FIG. 5 is a right side elevational view thereof;
FIG. 6 is a rear elevational view thereof;
FIG. 7 is a bottom plan view thereof; and
FIG. 8 is a left side elevational view thereof.

[56] **References Cited**

U.S. PATENT DOCUMENTS

2,924,345	2/1960	Bodin	414/705
3,022,910	2/1962	Anderson, Jr. et al.	414/705
3,885,694	5/1975	Uchida et al.	414/705

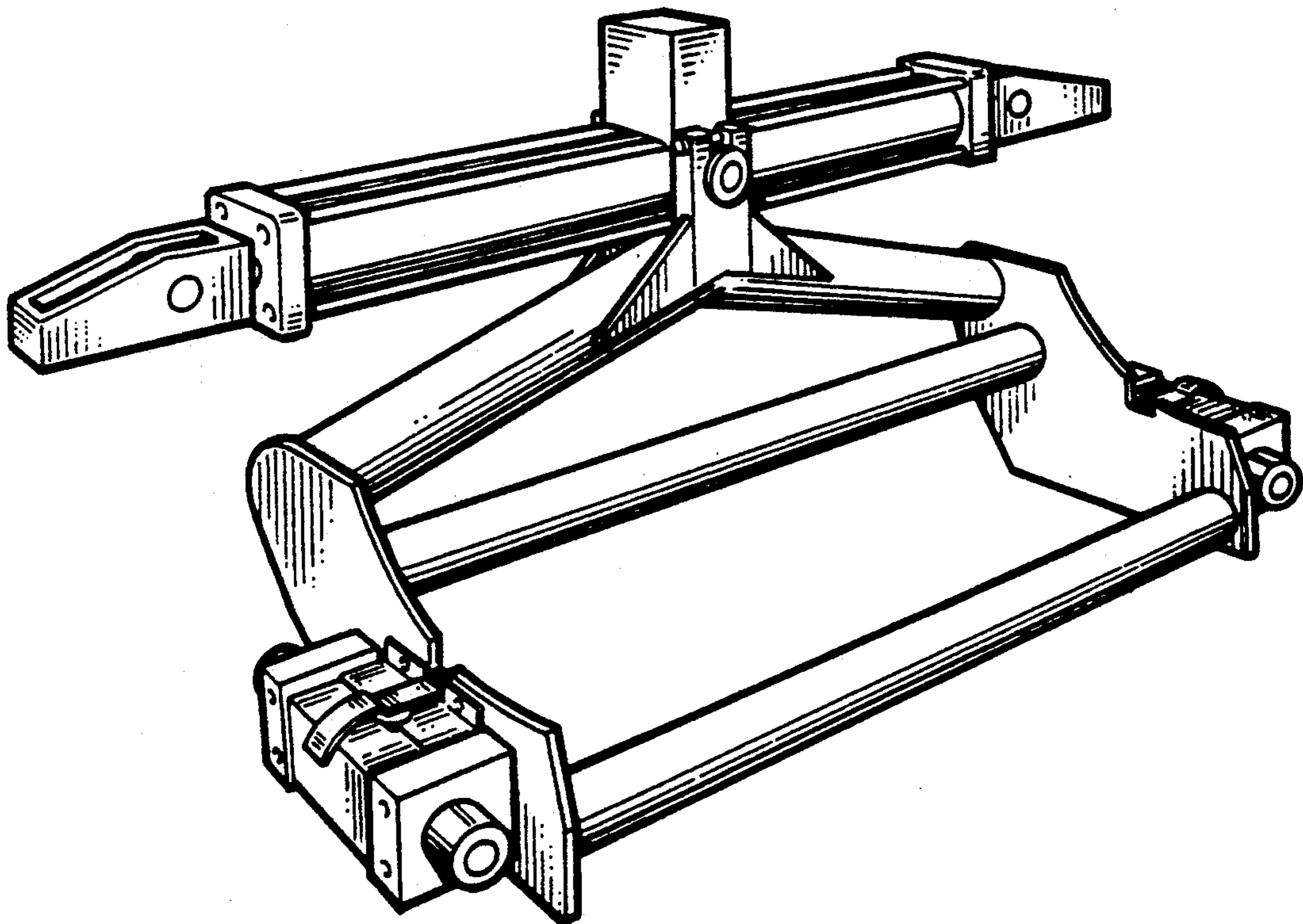


Fig. 1

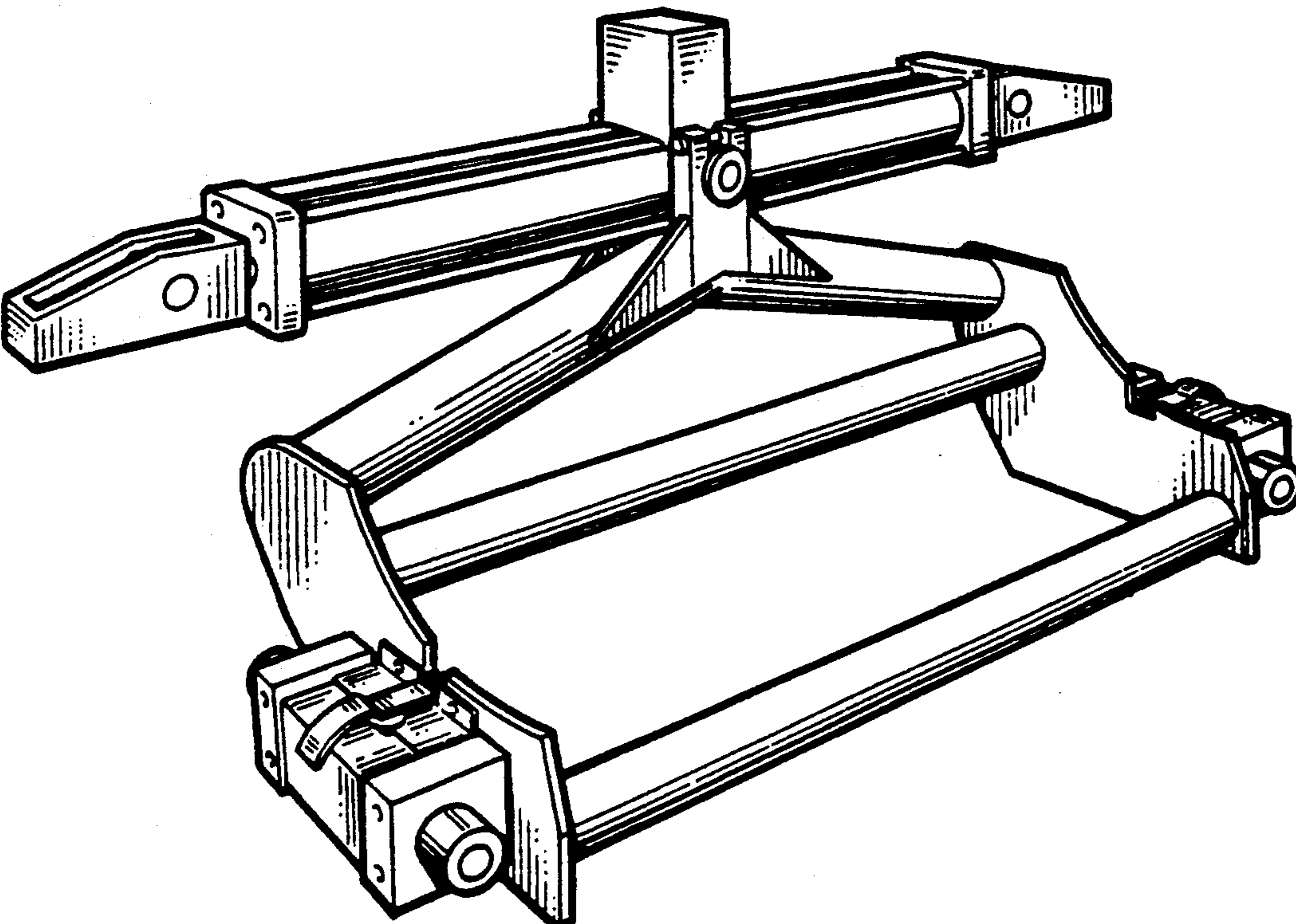


Fig. 2

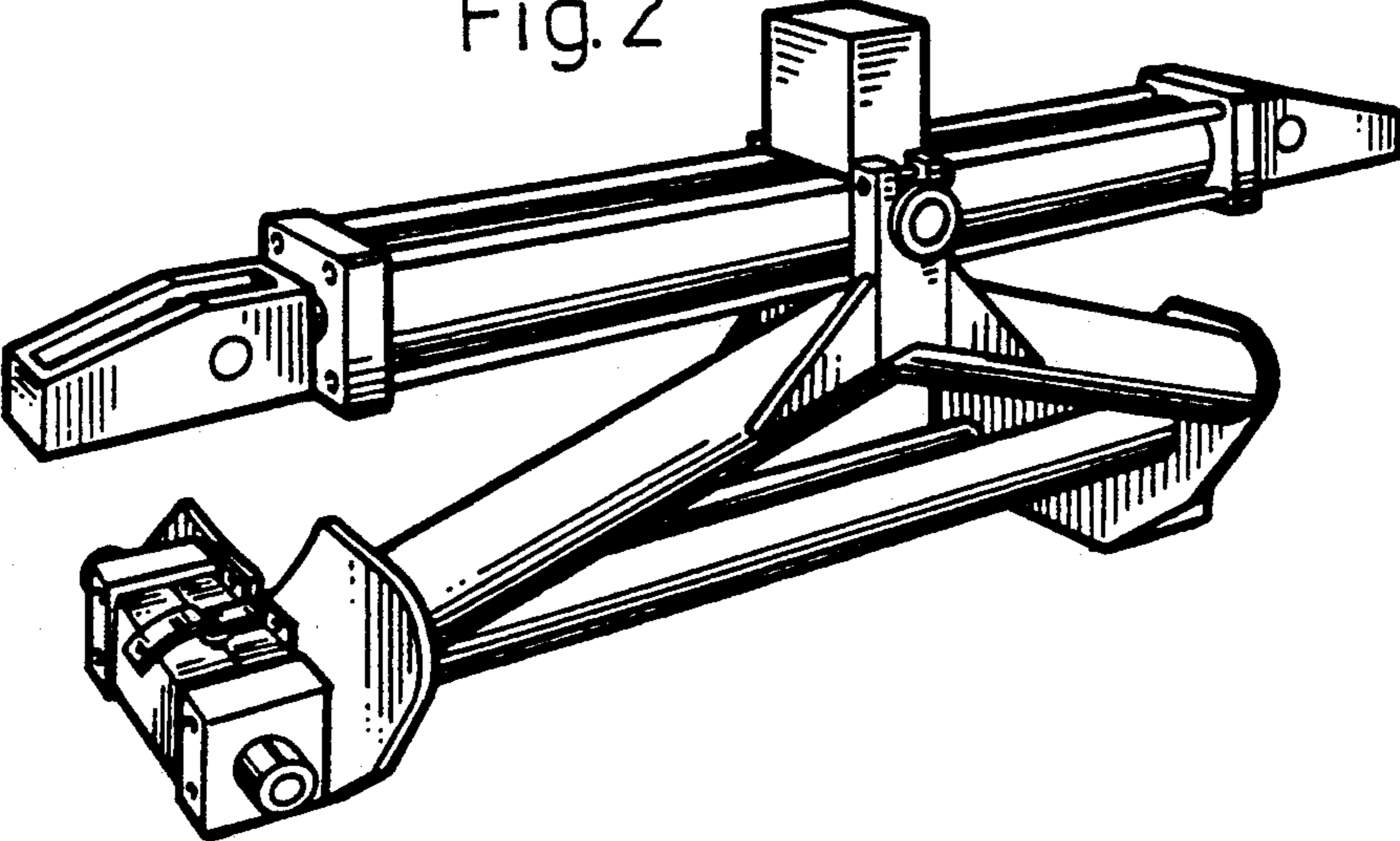


Fig. 3

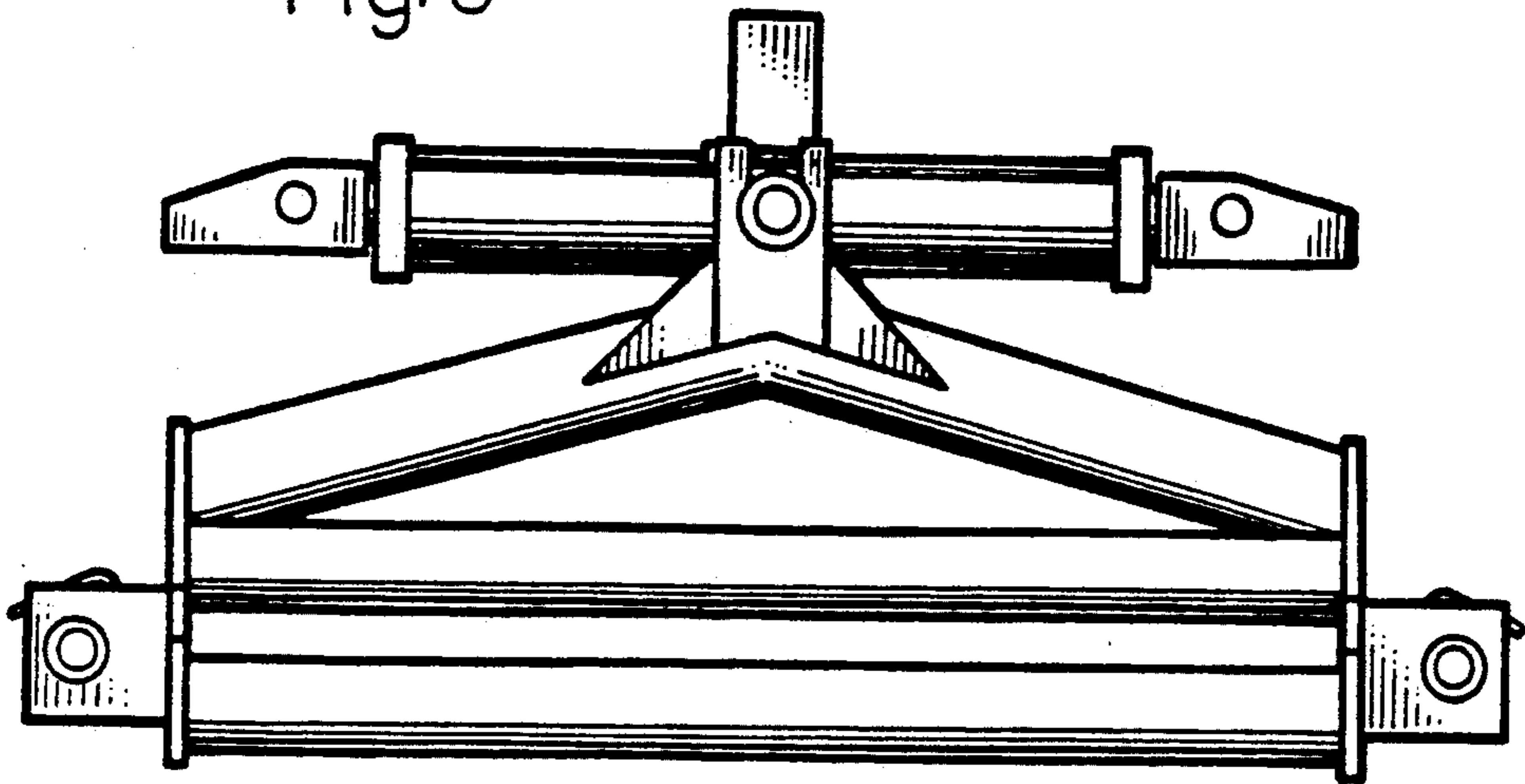


Fig. 4

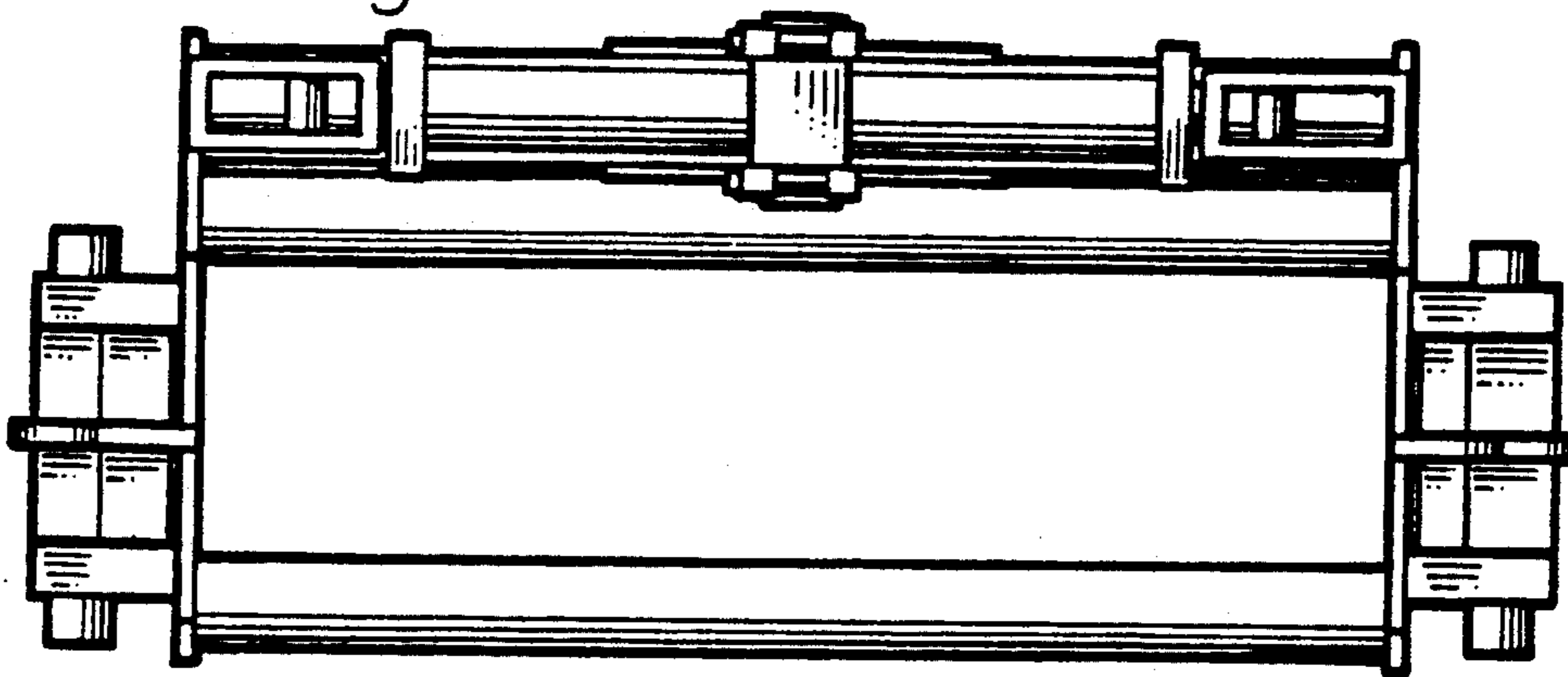


Fig. 5

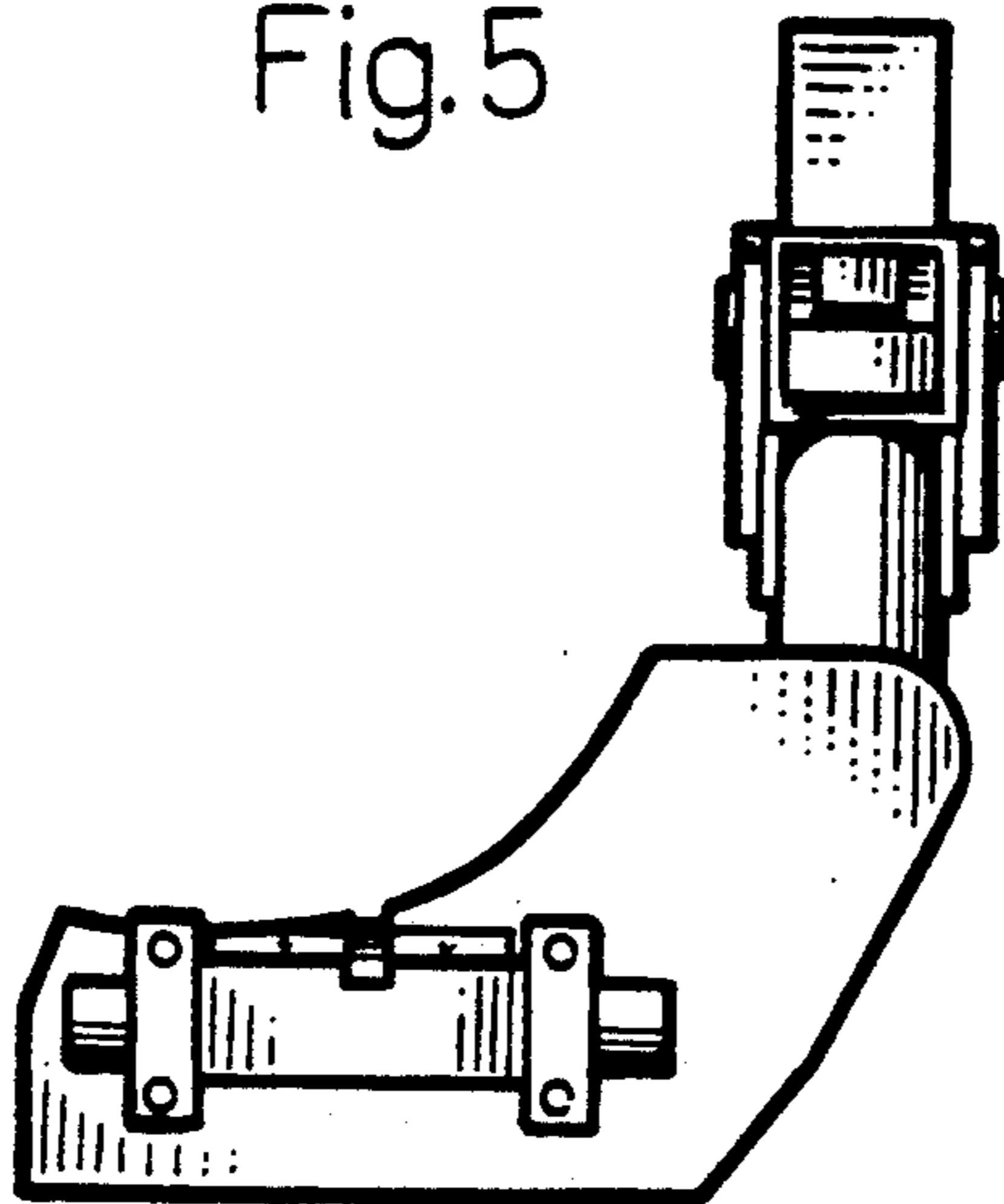


Fig. 6

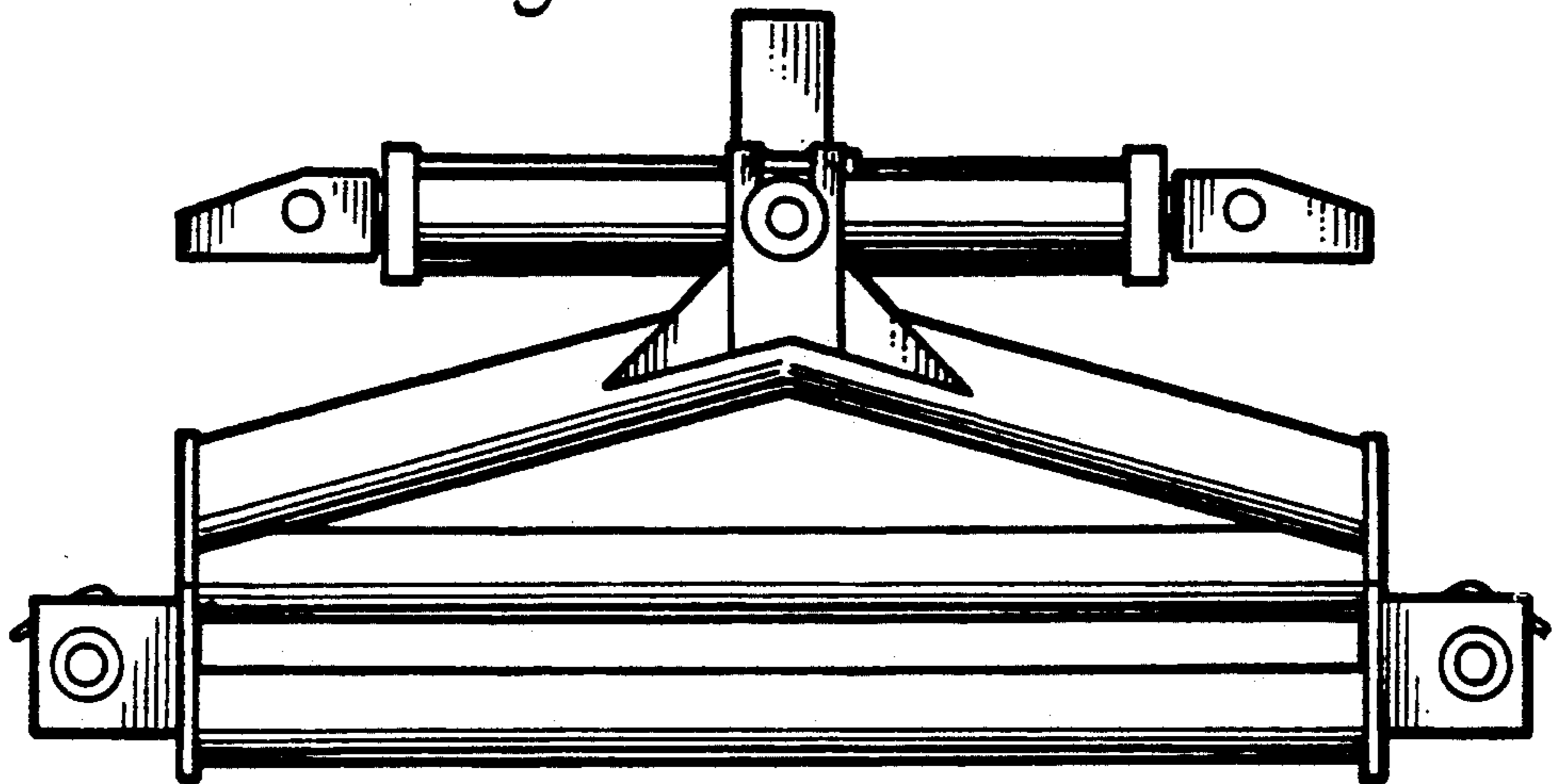


Fig. 7

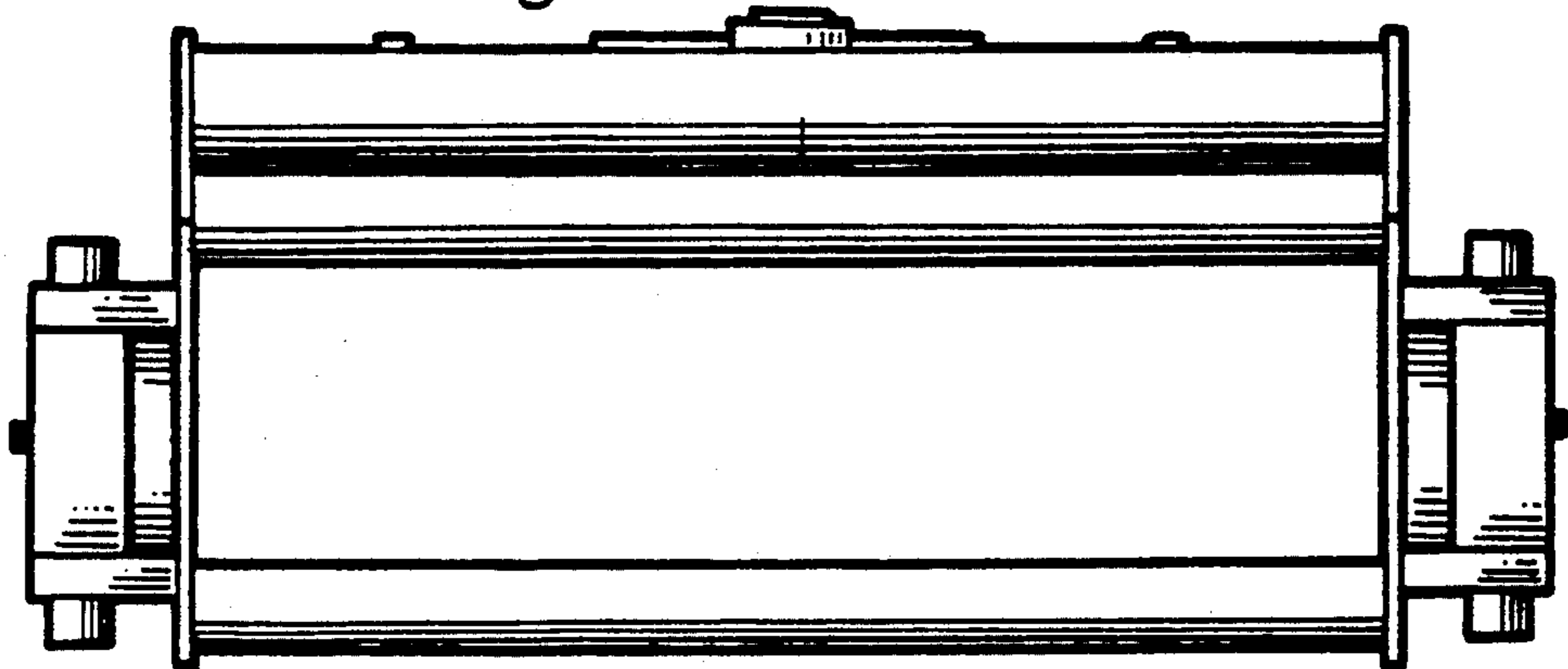


Fig. 8

