



US00D324053S

United States Patent [19]

[11] Patent Number: **Des. 324,053**

Smrt

[45] Date of Patent: **** Feb. 18, 1992**

[54] **COMBINED SPRAYING AND MARKING MACHINE**

1,998,502 4/1935 Glasgow 239/150

[75] Inventor: **Thomas J. Smrt, Cary, Ill.**

Primary Examiner—Bernard Ansher

[73] Assignee: **Fox Valley Systems, Inc., Cary, Ill.**

Assistant Examiner—Sandra Morris

[**] Term: **14 Years**

Attorney, Agent, or Firm—Leydig, Voit & Mayer

[21] Appl. No.: **330,717**

[57] **CLAIM**

The ornamental design for a combined spraying and marking machine, as shown and described.

[22] Filed: **Mar. 30, 1989**

DESCRIPTION

[52] U.S. Cl. **D15/13**

[58] Field of Search **D15/10-13,
D15/28; 56/320.2; 239/127, 150, 304, 683-687,
754**

FIG. 1 is a perspective view of a combined spraying and marking machine, showing my new design;

FIG. 2 is an enlarged right side elevational view thereof;

FIG. 3 is an enlarged front elevational view thereof;

FIG. 4 is an enlarged rear elevational view thereof;

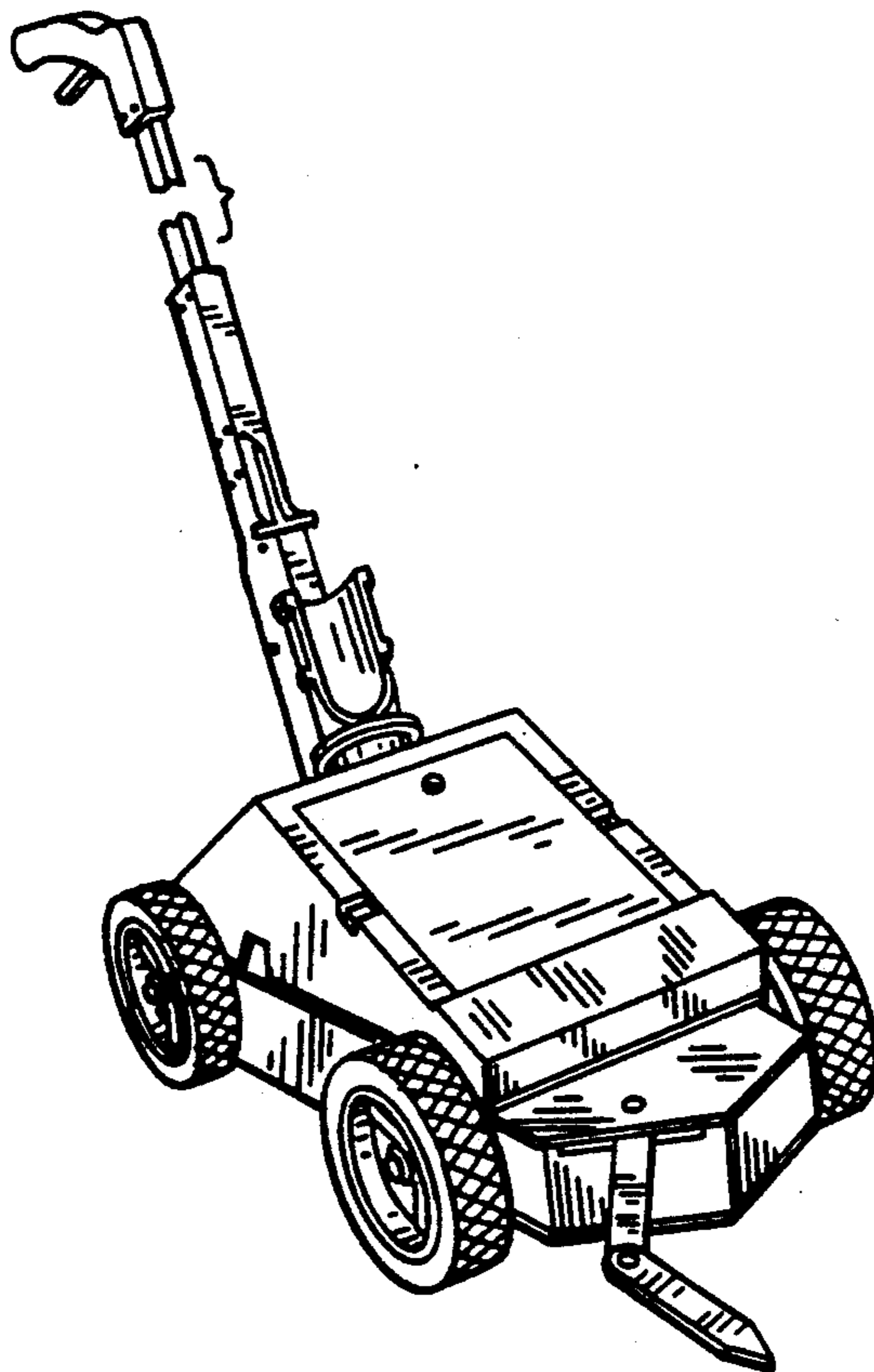
FIG. 5 is an enlarged top plan view thereof; and

FIG. 6 is an enlarged bottom plan view thereof.

[56] **References Cited**

U.S. PATENT DOCUMENTS

D. 307,590 5/1990 Ridgeon D15/13



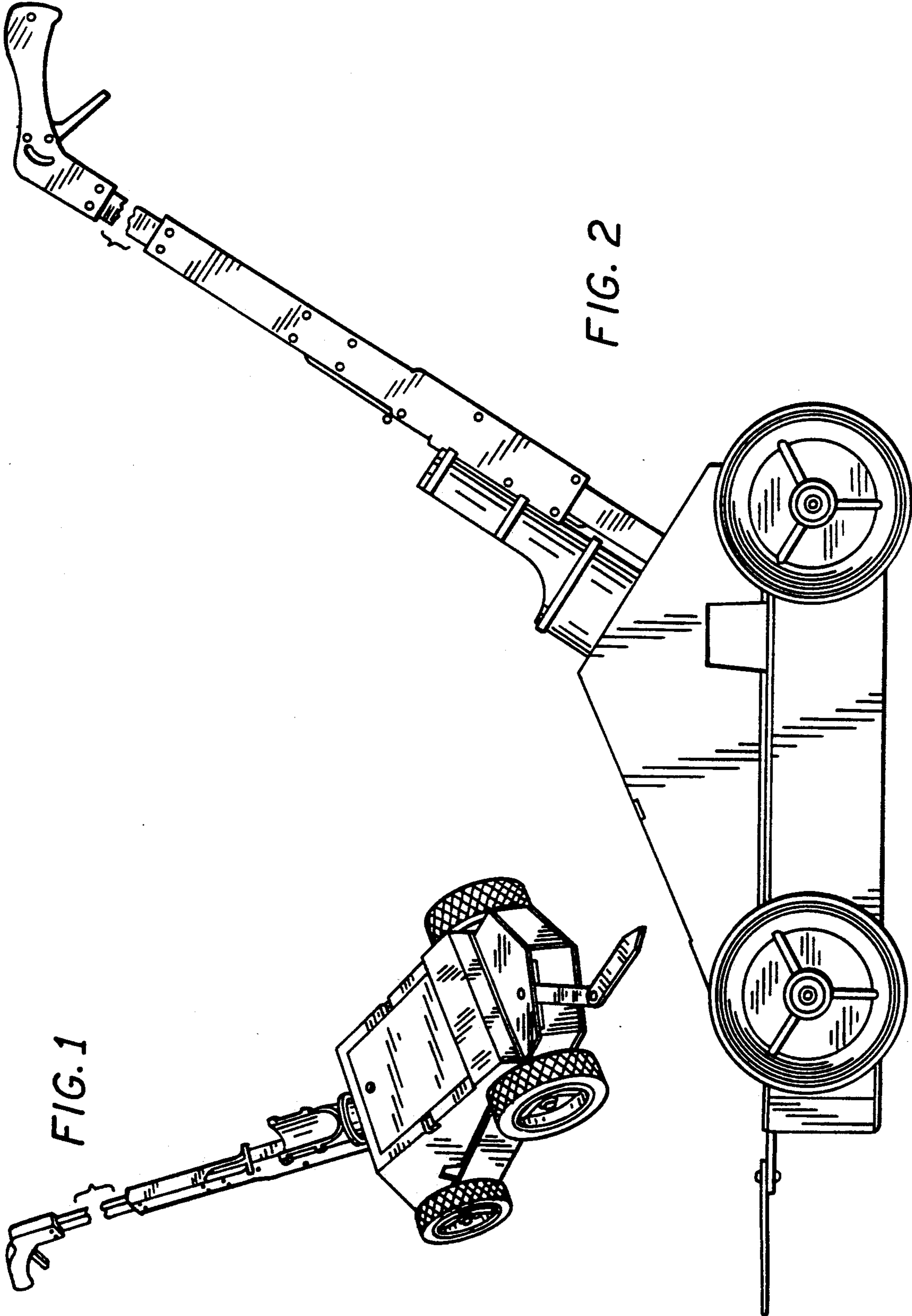


FIG. 1

FIG. 2

FIG. 3

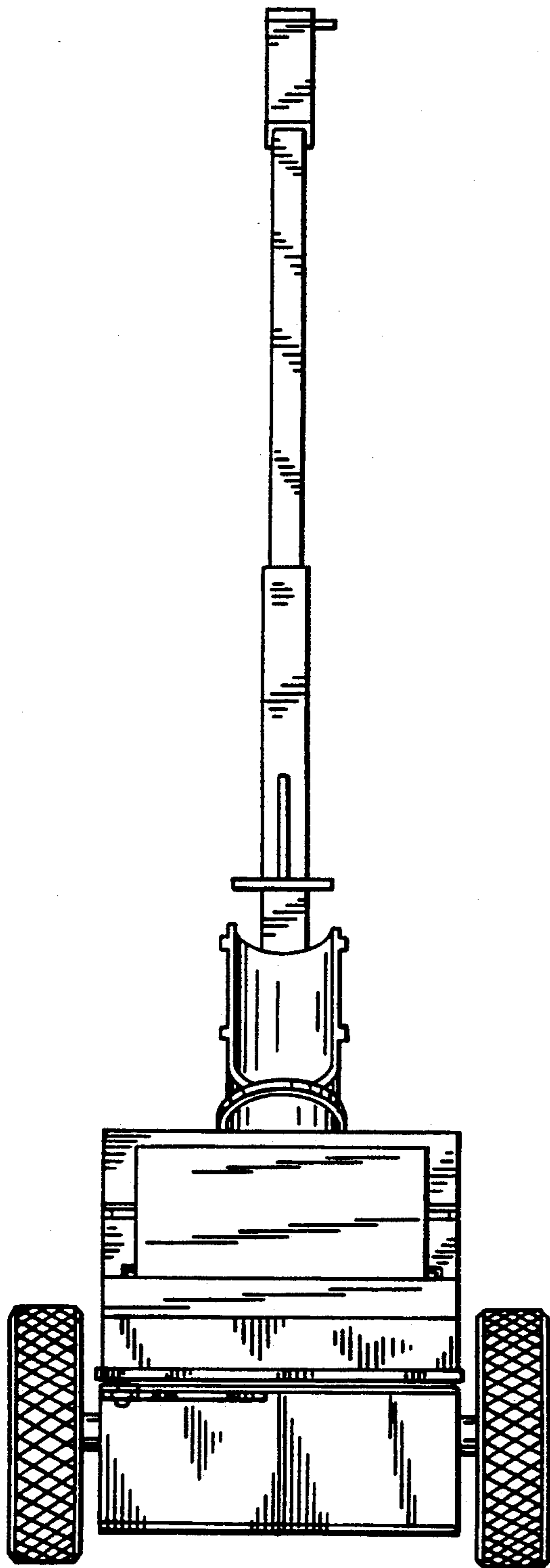


FIG. 4

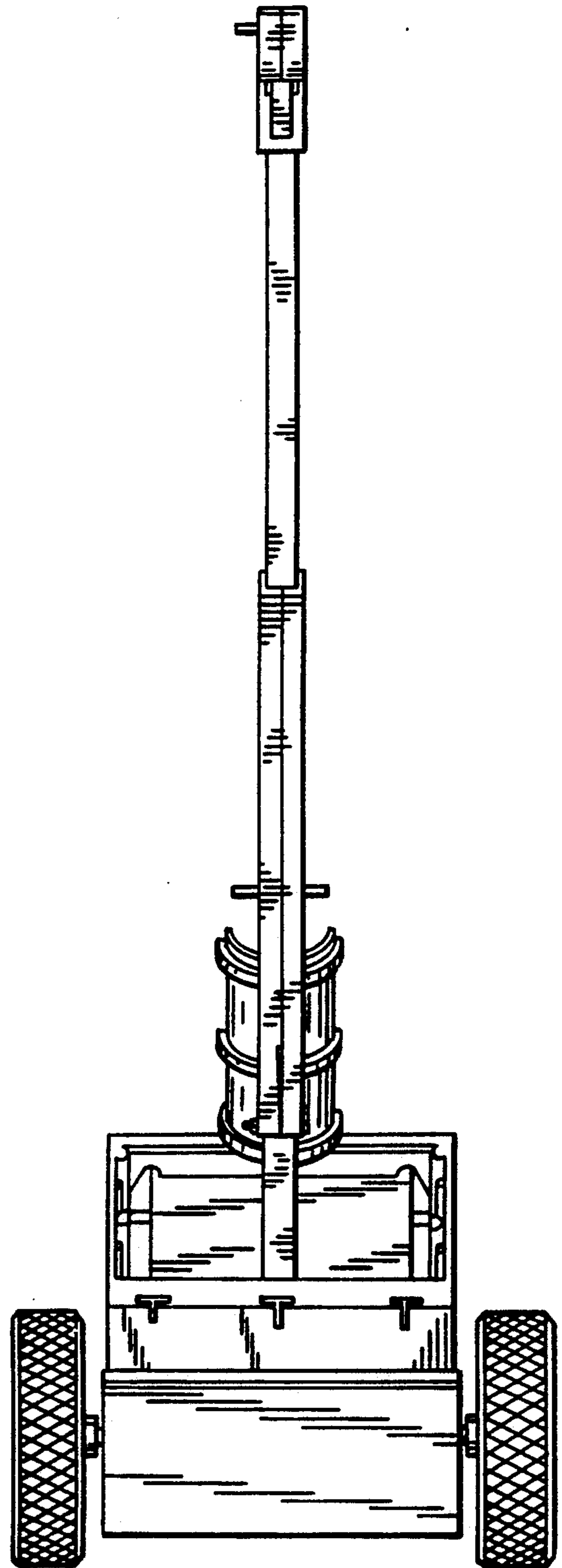


FIG. 5

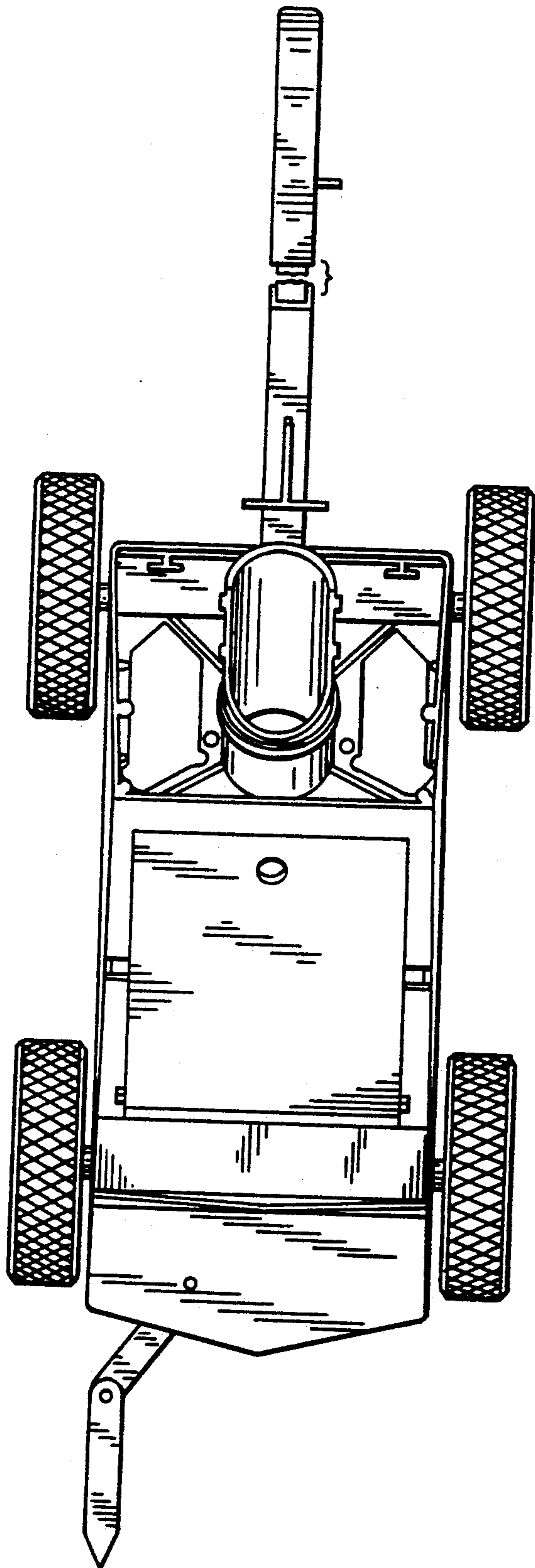


FIG. 6

