



US00D324052S

United States Patent [19]

[11] Patent Number: Des. 324,052

Dean

[45] Date of Patent: ** Feb. 18, 1992

[54] CARBURETOR ENHANCEMENT PUMP

[76] Inventor: Dennis Dean, 3964 Nile Ave.,
Groveport, Ohio 43125

[**] Term: 14 Years

[21] Appl. No.: 299,994

[22] Filed: Jan. 23, 1989

[52] U.S. Cl. D15/5; 123/549;
D15/9.1; 415/214.1

[58] Field of Search D15/5, 1, 7, 9.1;
123/26, 434, 180 E, 549, 438, 510; 261/DIG.
21, DIG. 28, DIG. 45, DIG. 51, DIG. 73,
DIG. 69, DIG. 68, DIG. 8

[56] References Cited

U.S. PATENT DOCUMENTS

D. 268,759	4/1983	Hoebeke	D15/5
D. 289,400	4/1987	Free et al.	D15/5
4,423,716	1/1984	Glass	123/549
4,477,715	10/1984	Bell et al.	123/549
4,538,583	9/1985	Earl	123/549

OTHER PUBLICATIONS

J. C. Whitney & Co. Catalog No. 454D, p. 161, item center right of page.

Primary Examiner—A. Hugo Word
Assistant Examiner—R. T. Seifert
Attorney, Agent, or Firm—Biebel & French

[57] CLAIM

The ornamental design for a carburetor enhancement pump, as shown and described.

DESCRIPTION

FIG. 1 is a top plan view of a carburetor enhancement pump showing my new design;
FIG. 2 is a bottom plan view;
FIG. 3 is a front elevational view as viewed from the bottom of FIG. 1;
FIG. 4 is a right side elevational view;
FIG. 5 is a rear elevational view as viewed from the right side of FIG. 4; and
FIG. 6 is a left side elevational view.

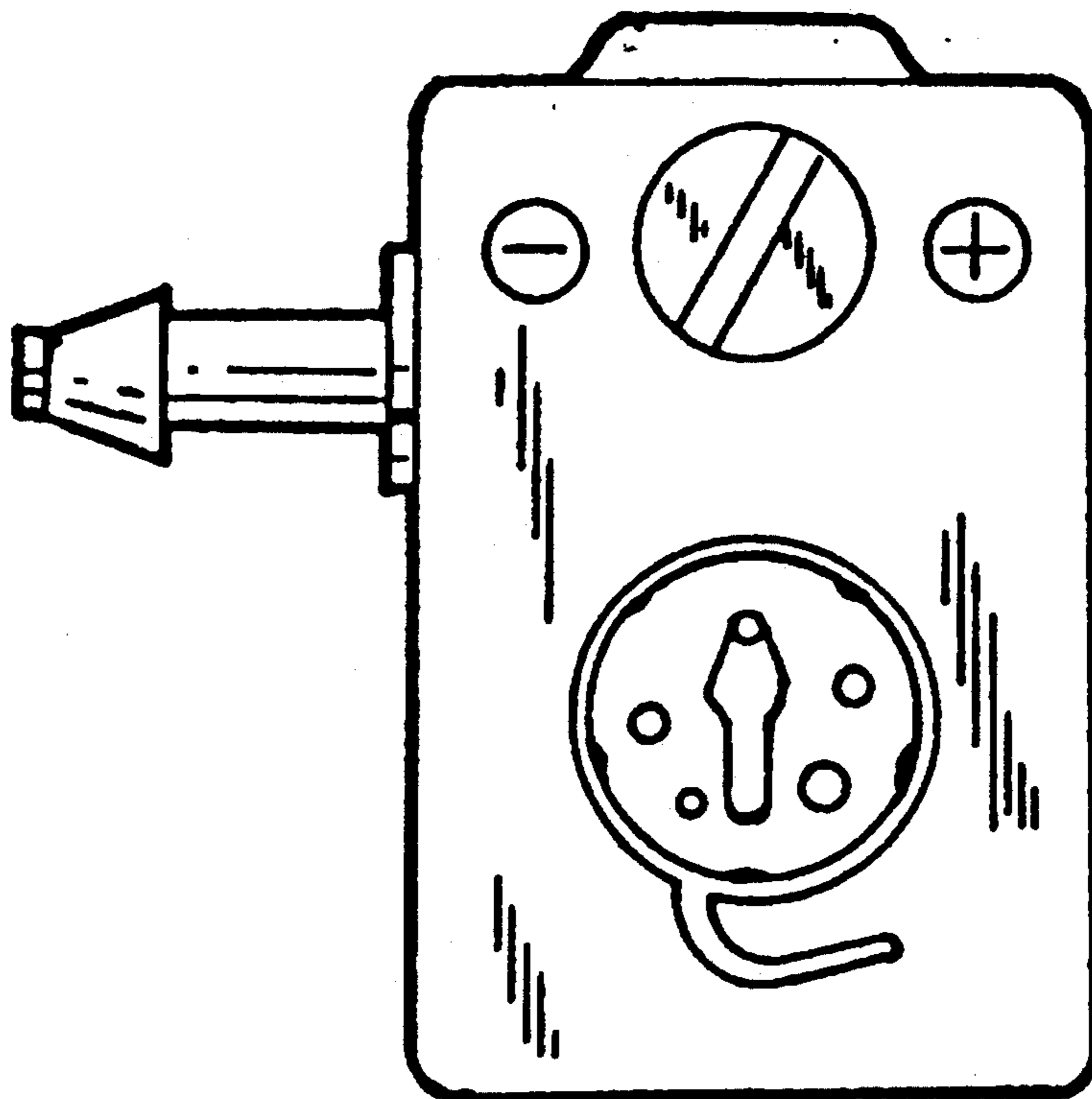


FIG - 1

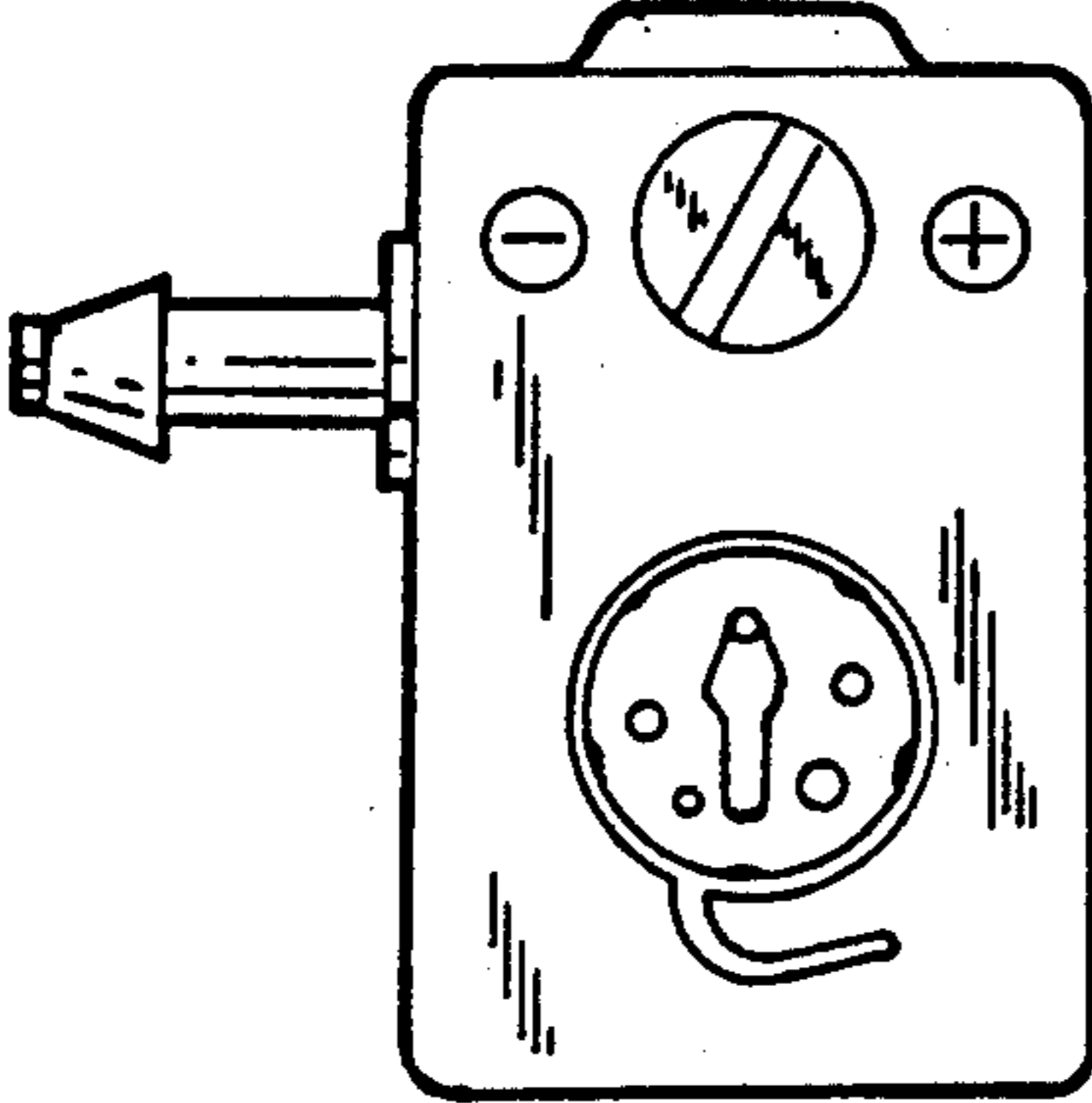


FIG - 2

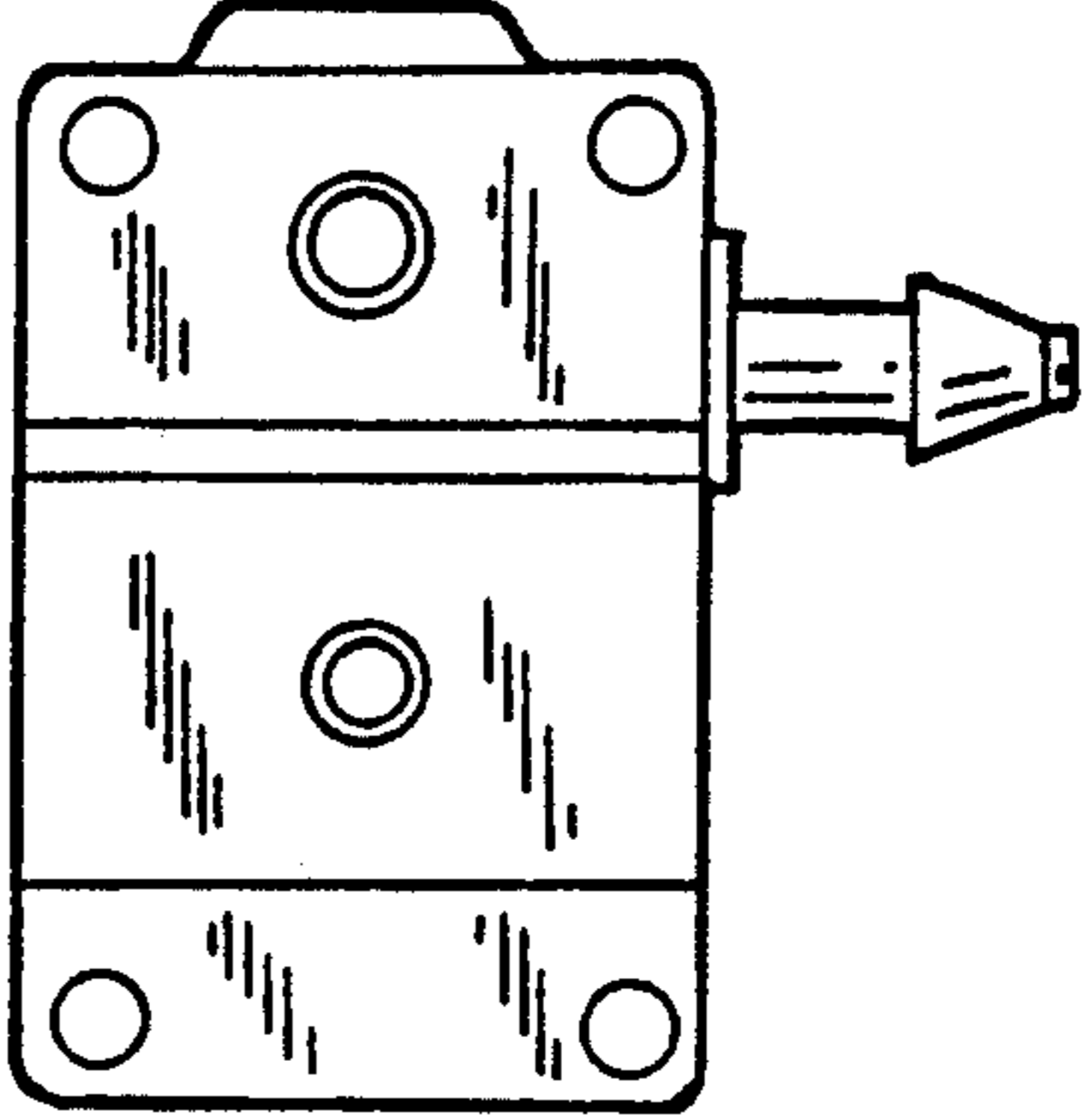


FIG - 3

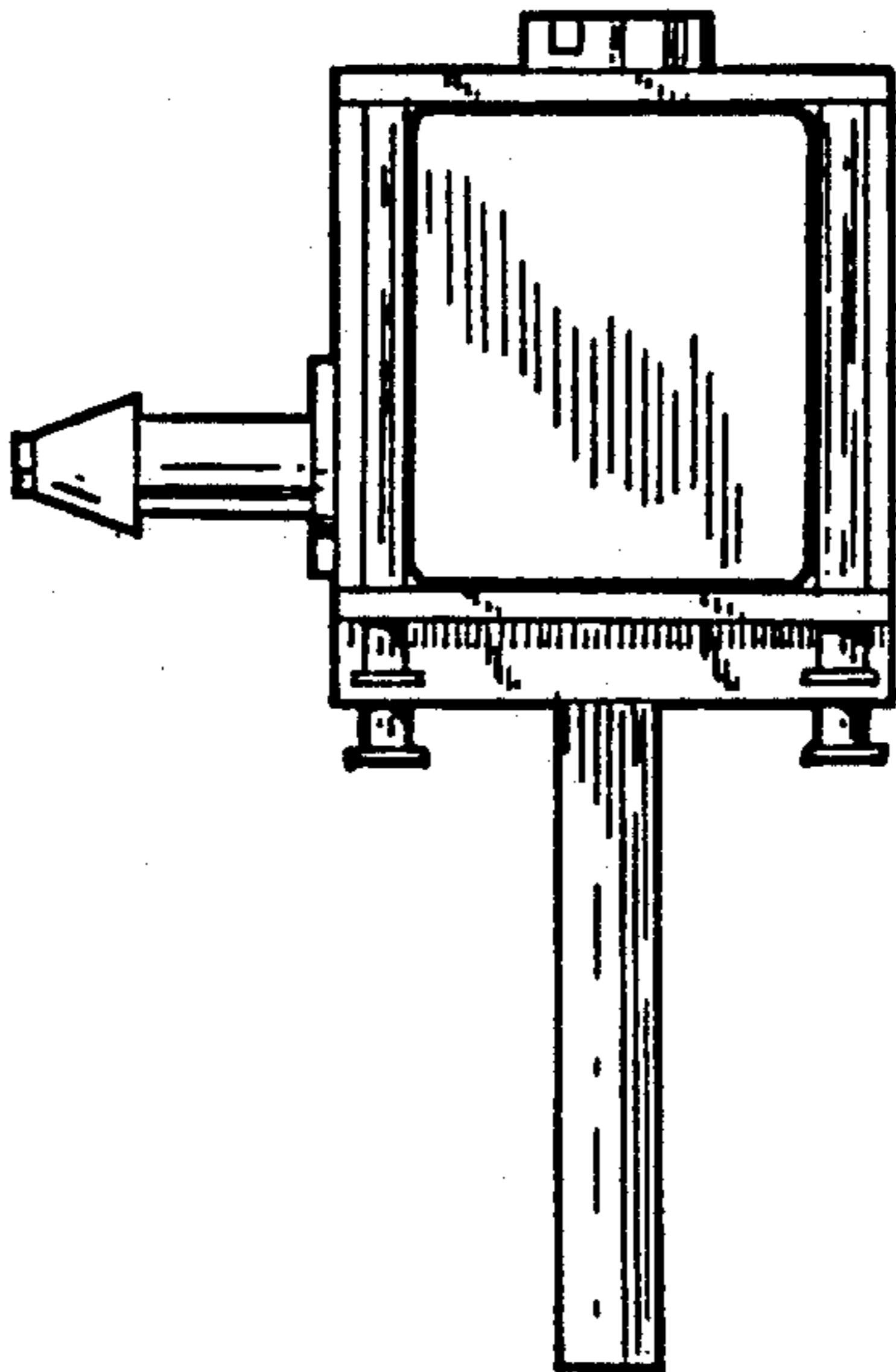


FIG - 4

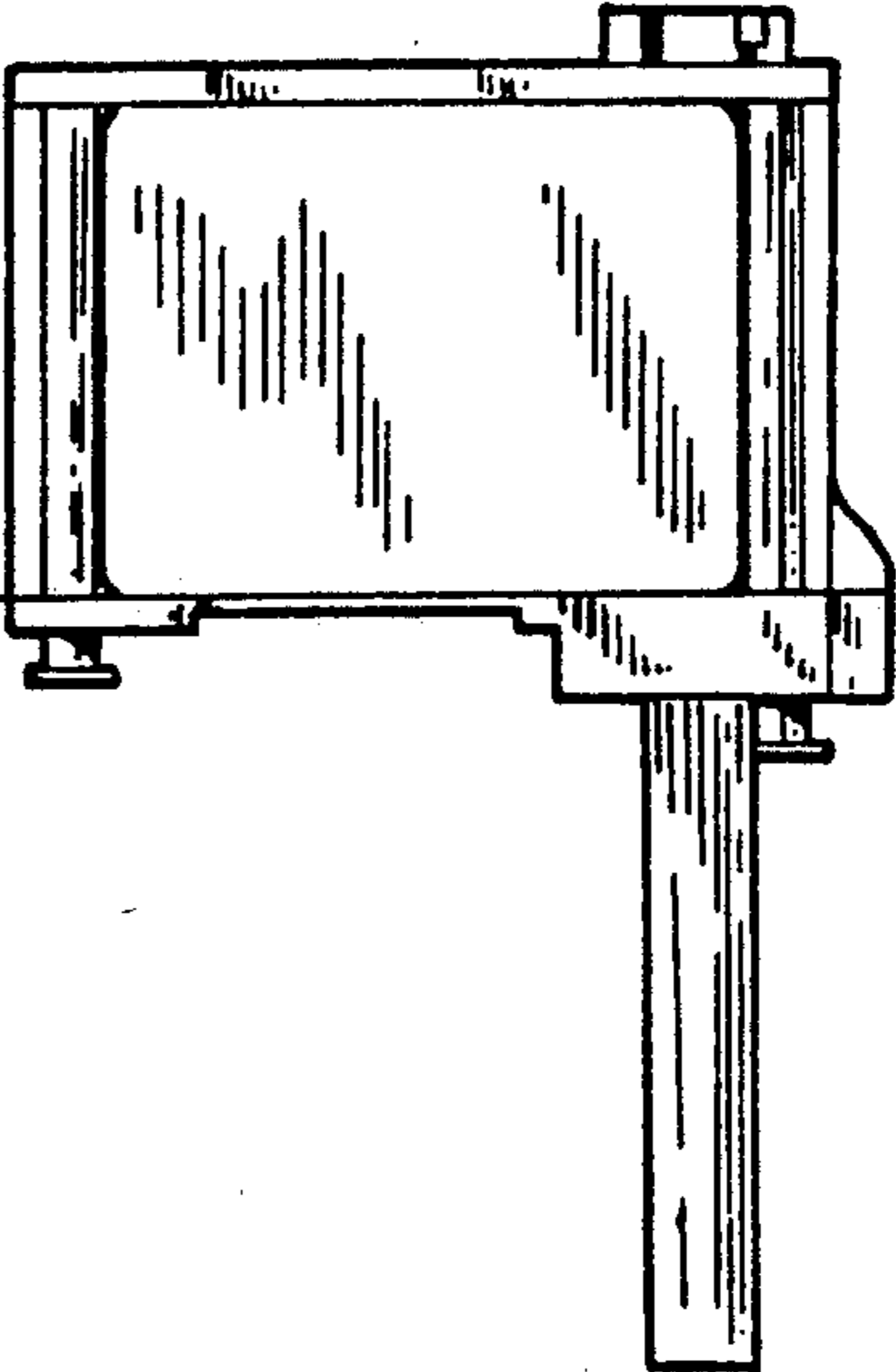


FIG - 6

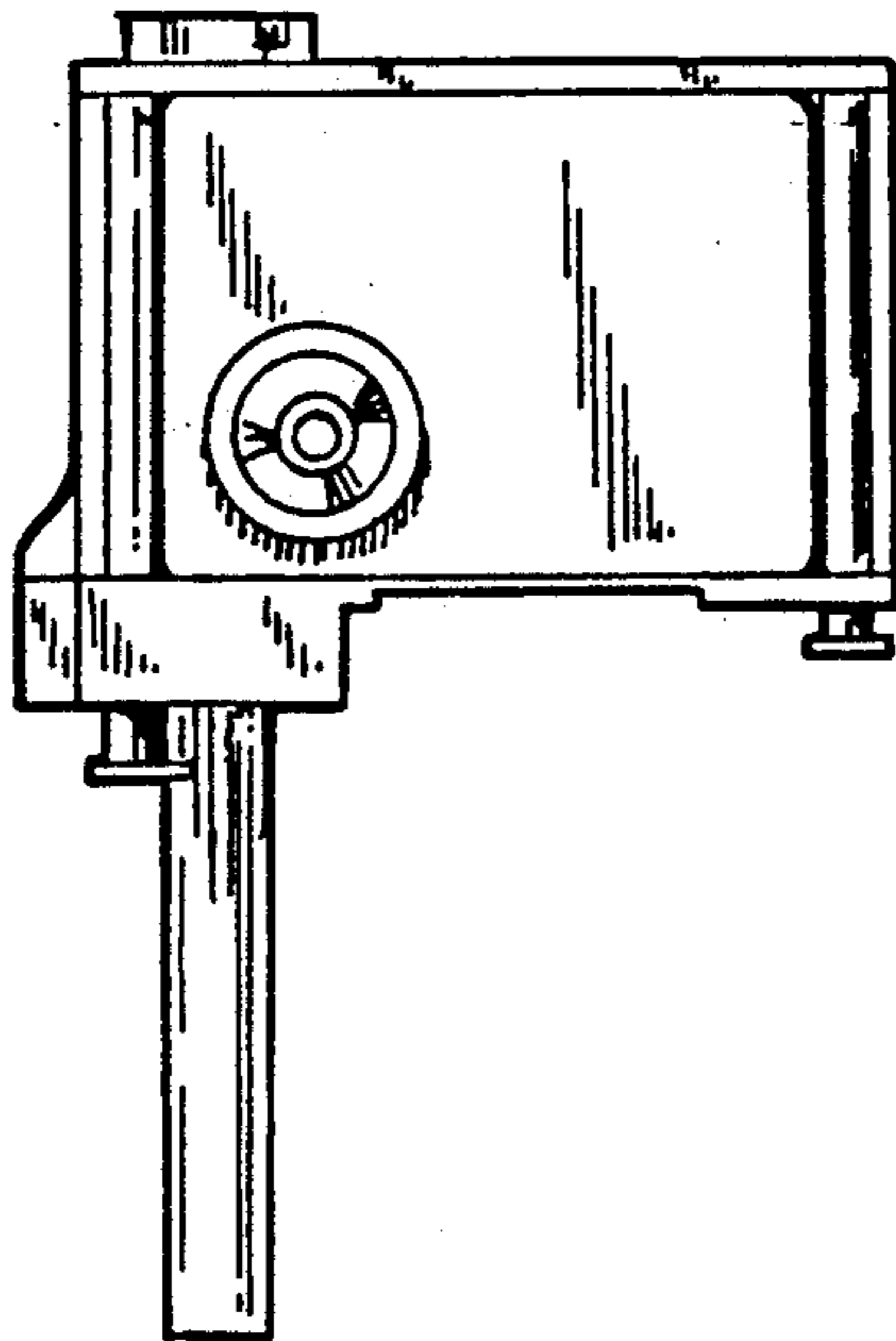


FIG - 5

