



US00D324044S

United States Patent [19]

[11] Patent Number: **Des. 324,044**

Katayama

[45] Date of Patent: **** Feb. 18, 1992**

[54] COMBINED TELEVISION RECEIVER AND VIDEO TAPE RECORDER

[75] Inventor: **Yuji Katayama**, Tokyo, Japan

[73] Assignee: **Kabushiki Kaisha Toshiba**, Kawasaki, Japan

[**] Term: **14 Years**

[21] Appl. No.: **488,859**

[22] Filed: **Mar. 6, 1990**

[30] Foreign Application Priority Data

Sep. 7, 1989 [JP] Japan 1-32506

[52] U.S. Cl. **D14/129**

[58] Field of Search **D14/124-135, D14/113; 358/236-239, 254-255; 312/7.2**

[56] References Cited

U.S. PATENT DOCUMENTS

- D. 303,257 9/1989 Kawata et al. D14/126
- D. 311,531 10/1990 Saeki et al. D14/126
- D. 316,714 5/1991 Matsumoto D14/126
- D. 317,306 6/1991 Hong D14/129

OTHER PUBLICATIONS

Sony Catalog of Video Walkman GV-8; published Dec., 1988.

Primary Examiner—Theodore M. Shooman
Attorney, Agent, or Firm—Oblon, Spivak, McClelland, Maier & Neustadt

[57] CLAIM

The ornamental design for a combined television receiver and video tape recorder, as shown and described.

DESCRIPTION

FIG. 1 is a top, front and right side perspective view of a combined television receiver and video tape recorder showing my new design;

FIG. 2 is a top, front and left side perspective view thereof, with an antenna and a handle extended;

FIG. 3 is a front elevational view thereof;

FIG. 4 is a top plan view thereof;

FIG. 5 is a right side elevational view thereof;

FIG. 6 is a left side elevational view thereof;

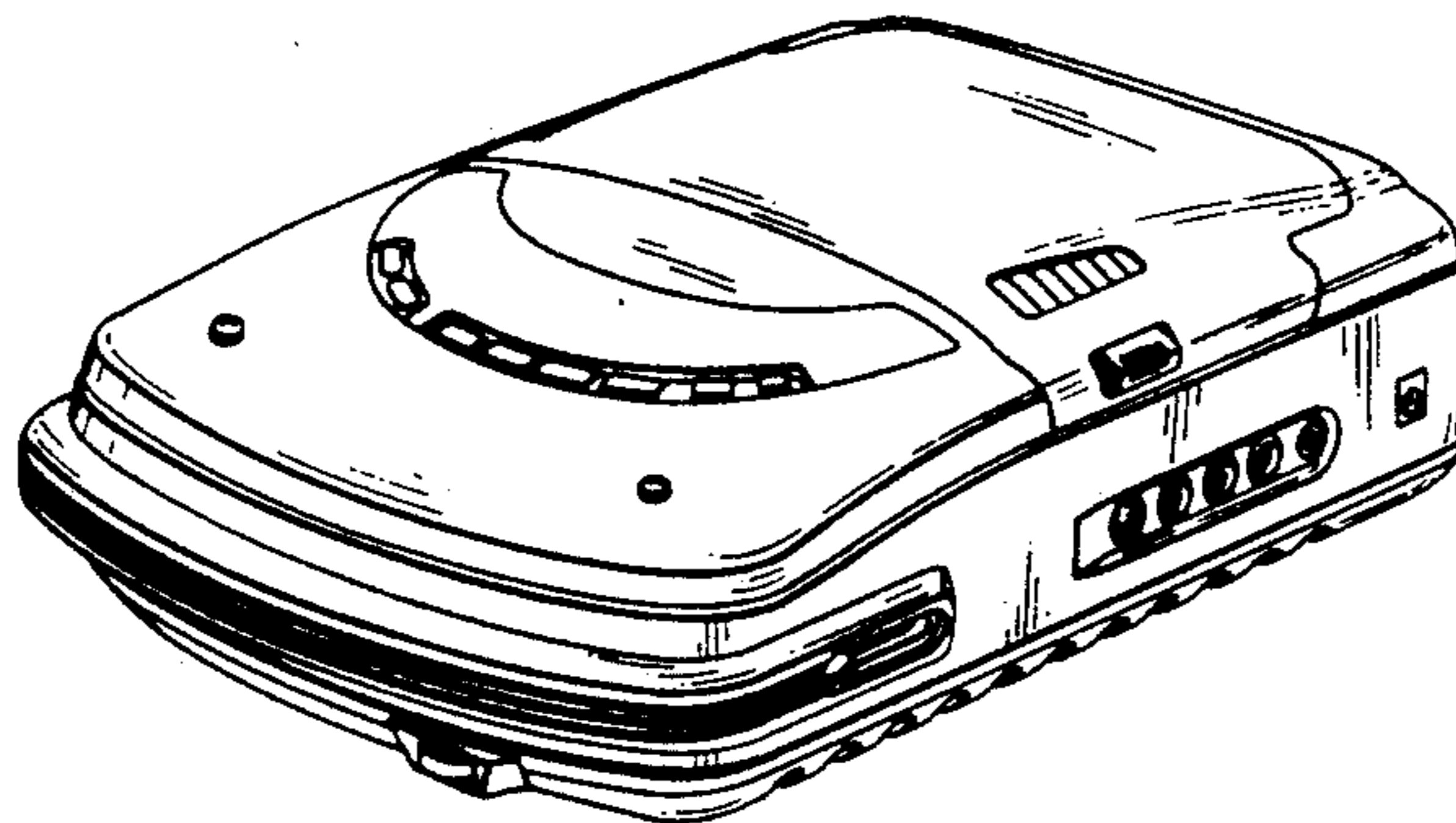
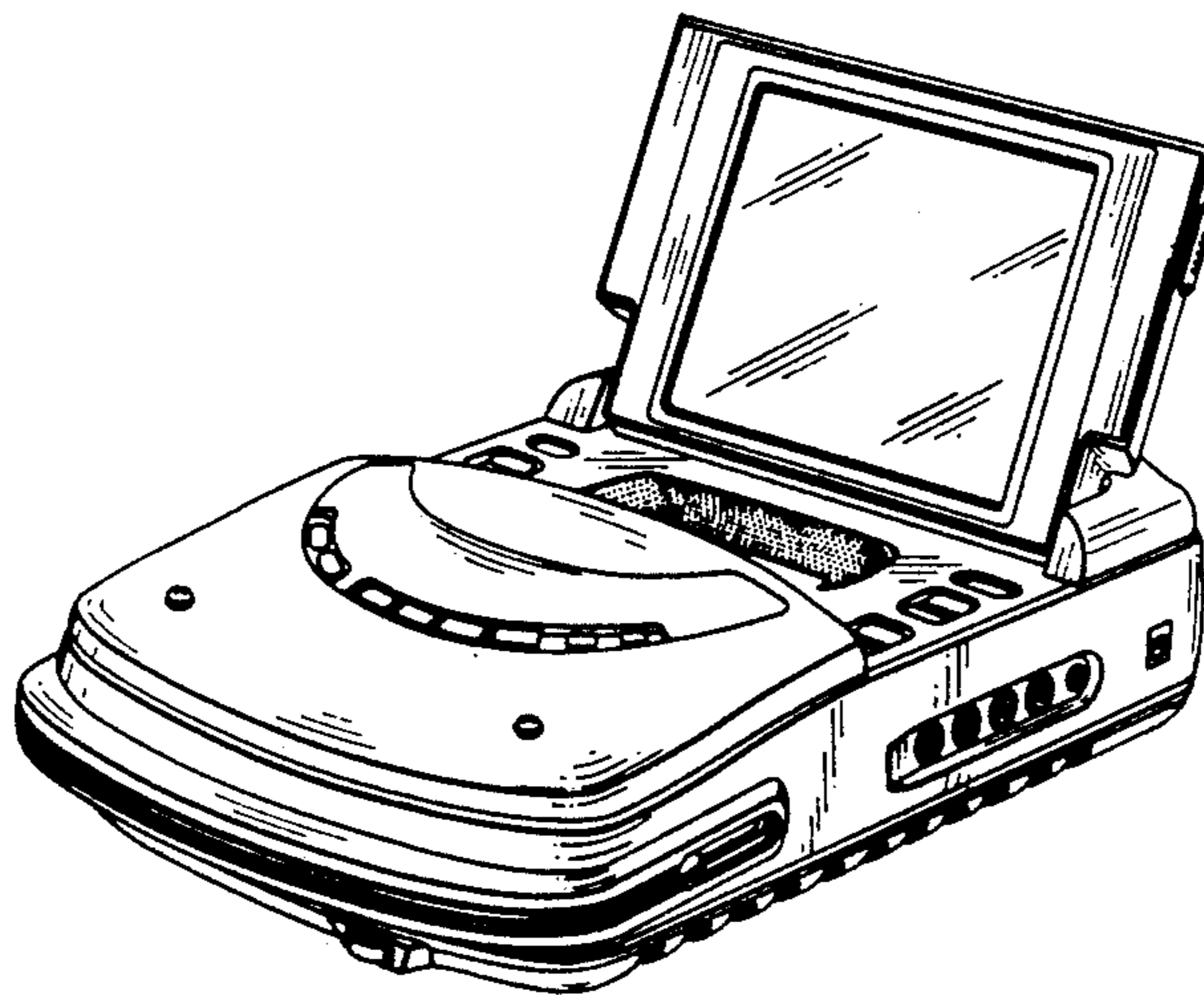
FIG. 7 is a rear elevational view thereof;

FIG. 8 is a bottom plan view thereof;

FIG. 9 is a top, front and right side perspective view thereof with a television stowed;

FIG. 10 is a front elevational view thereof with a television stowed; and

FIG. 11 is a top plan view thereof with a television stowed.



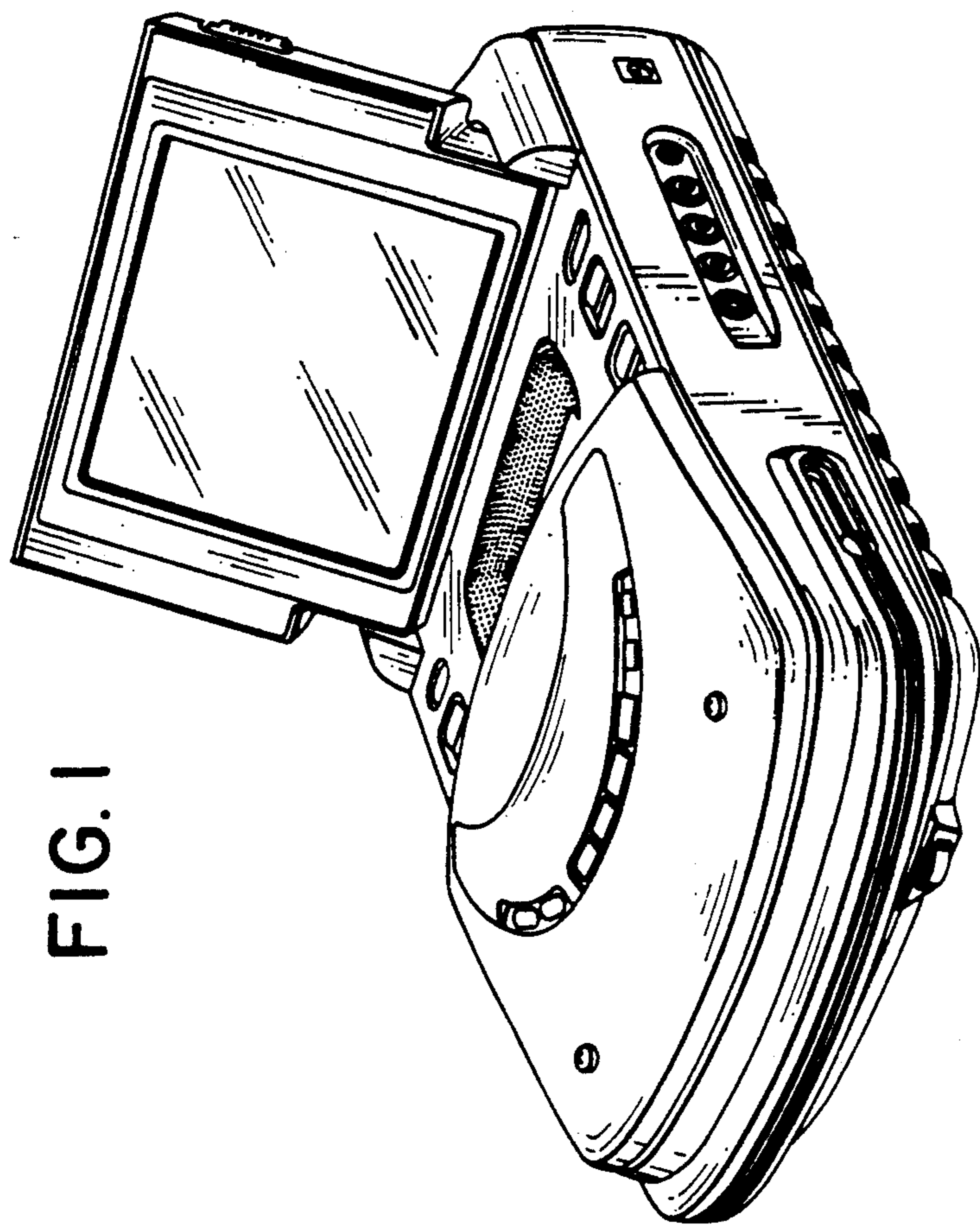


FIG. 1

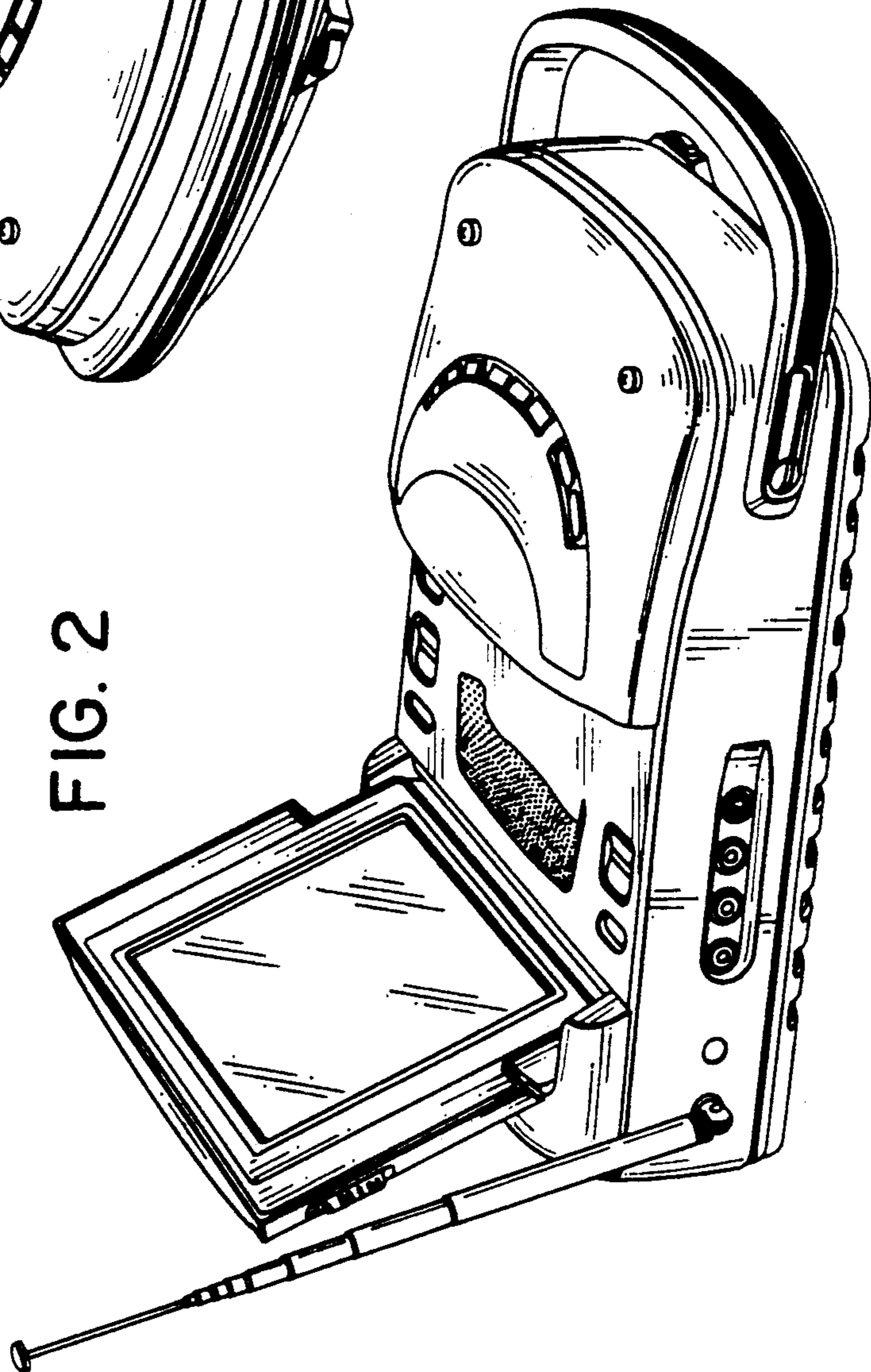


FIG. 2

FIG. 3

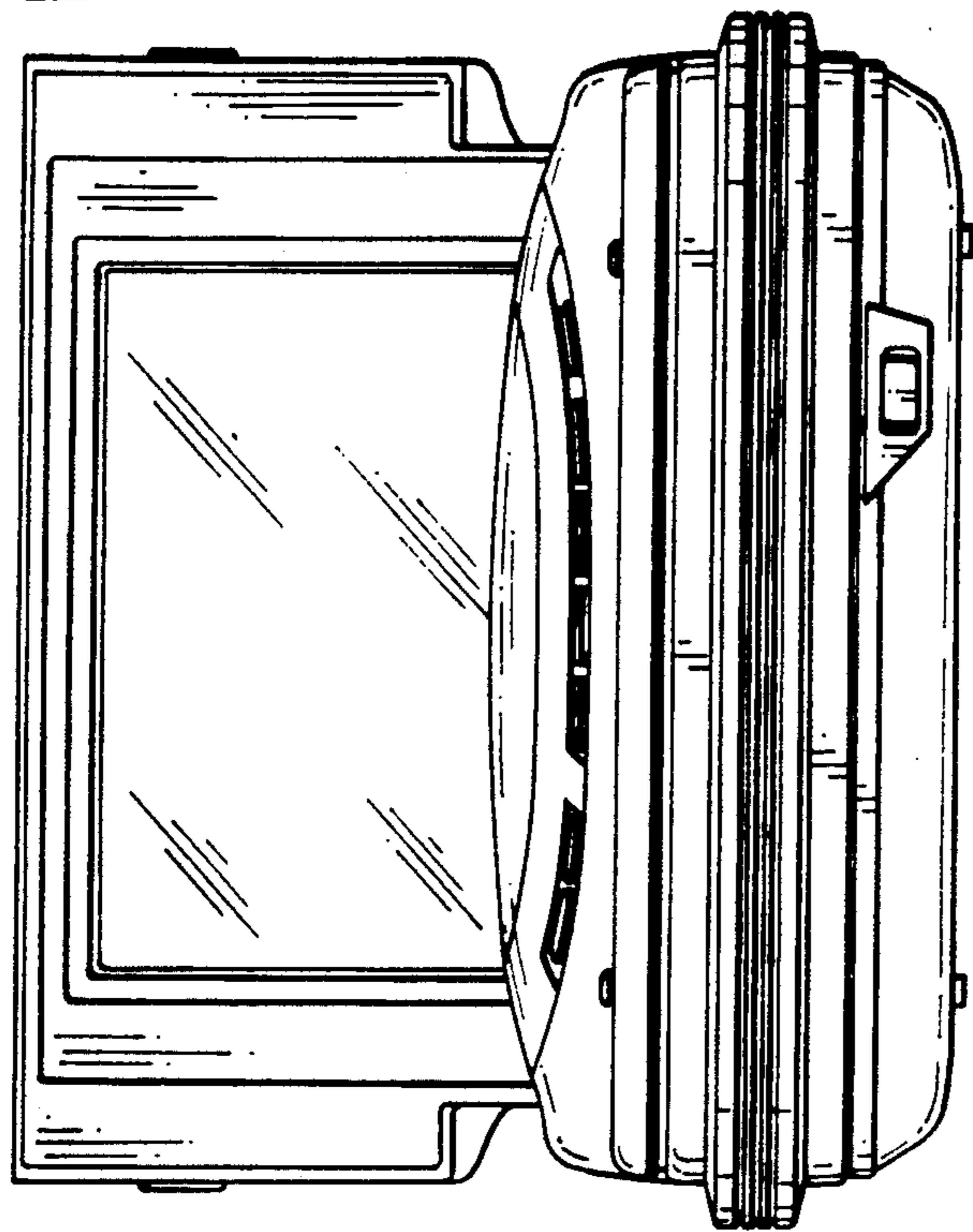


FIG. 5

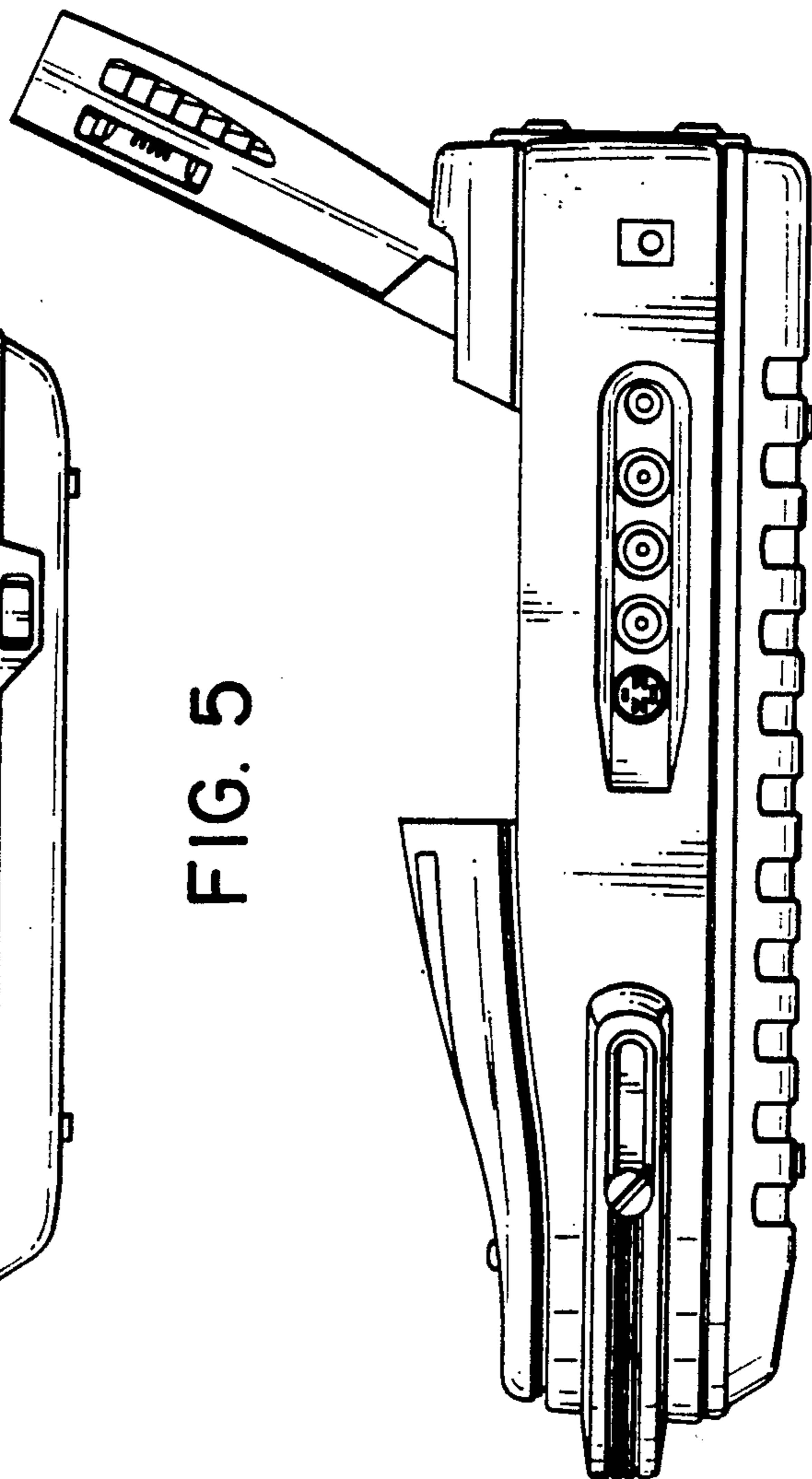


FIG. 4

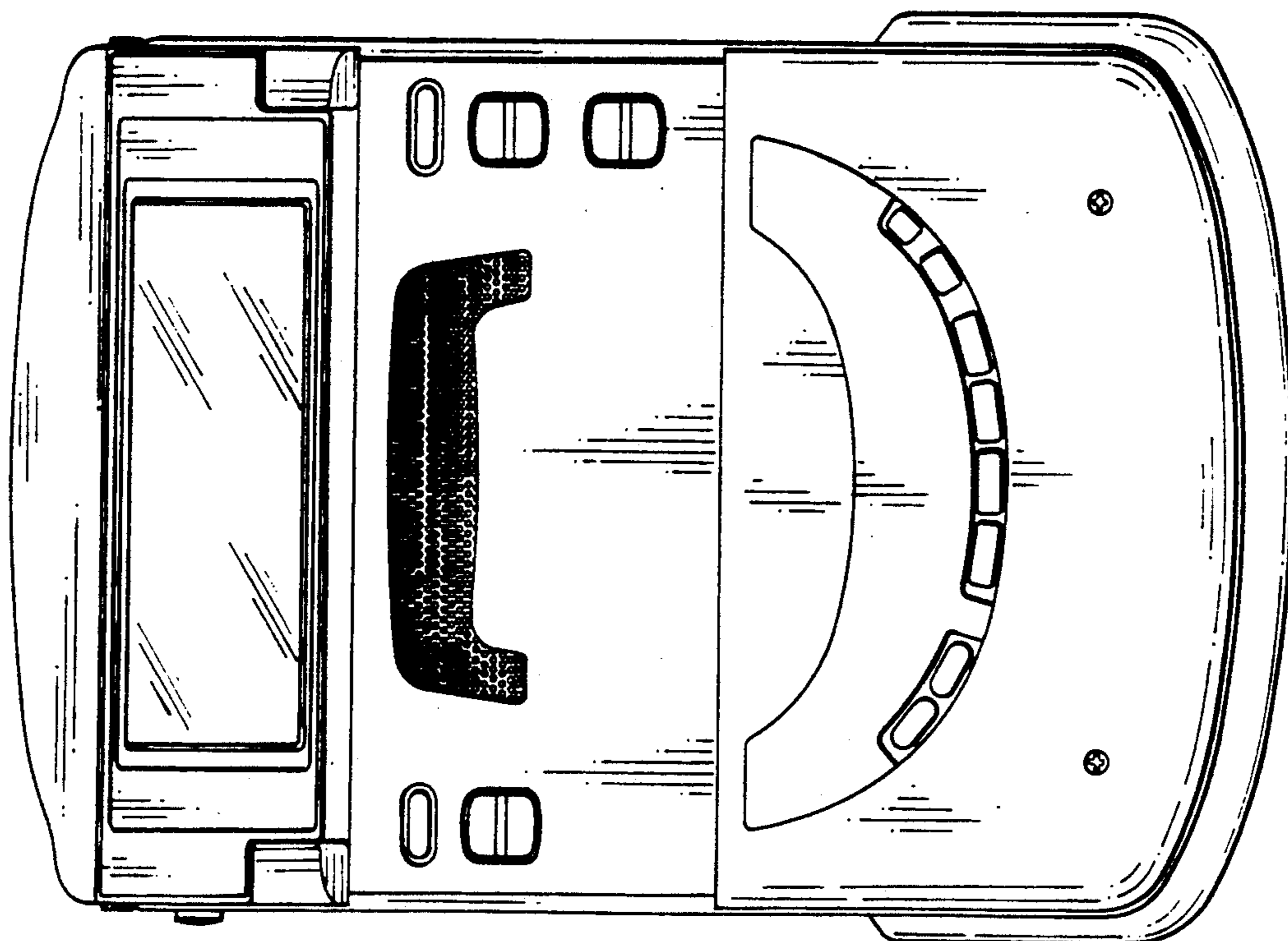


FIG. 7

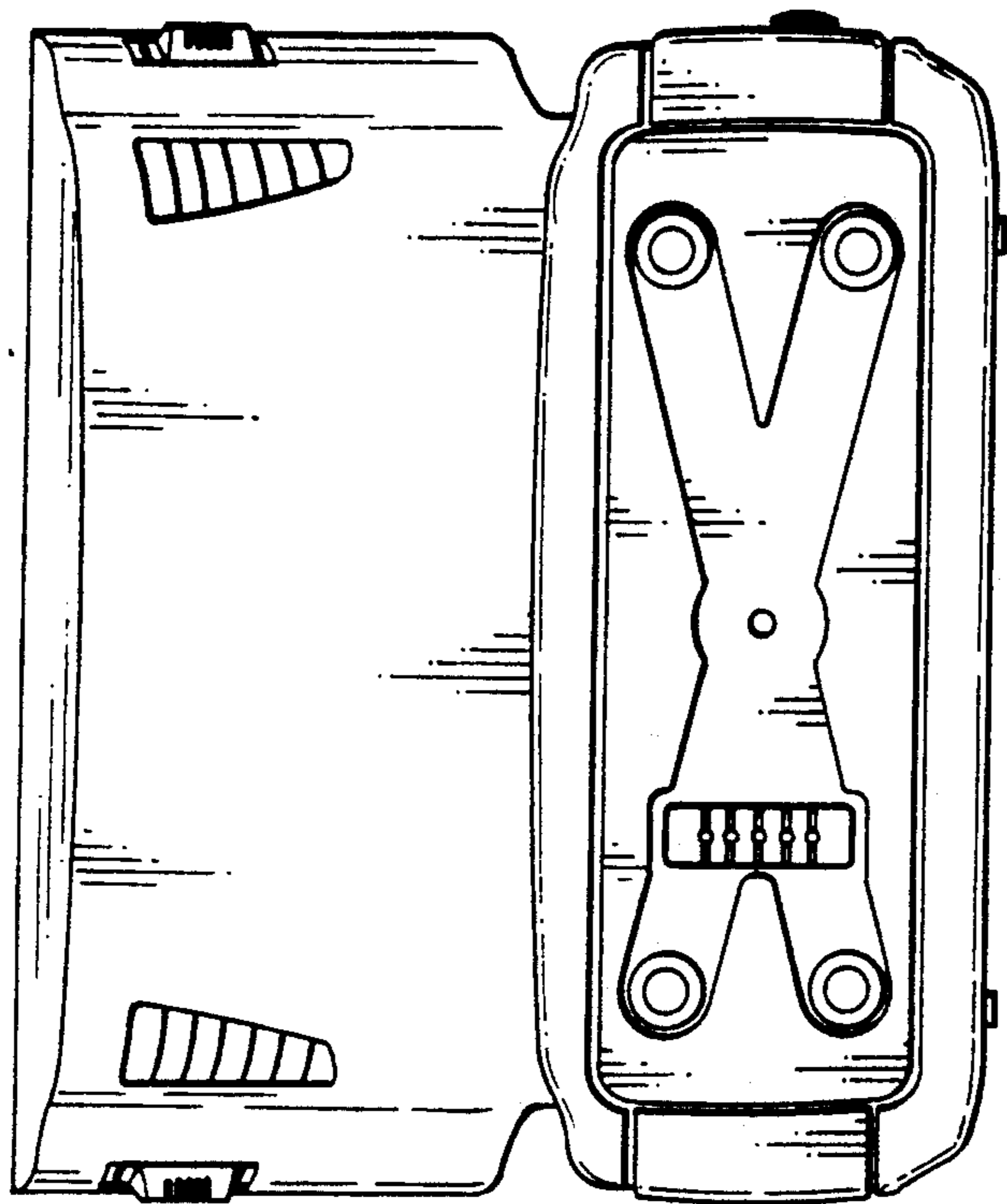


FIG. 8

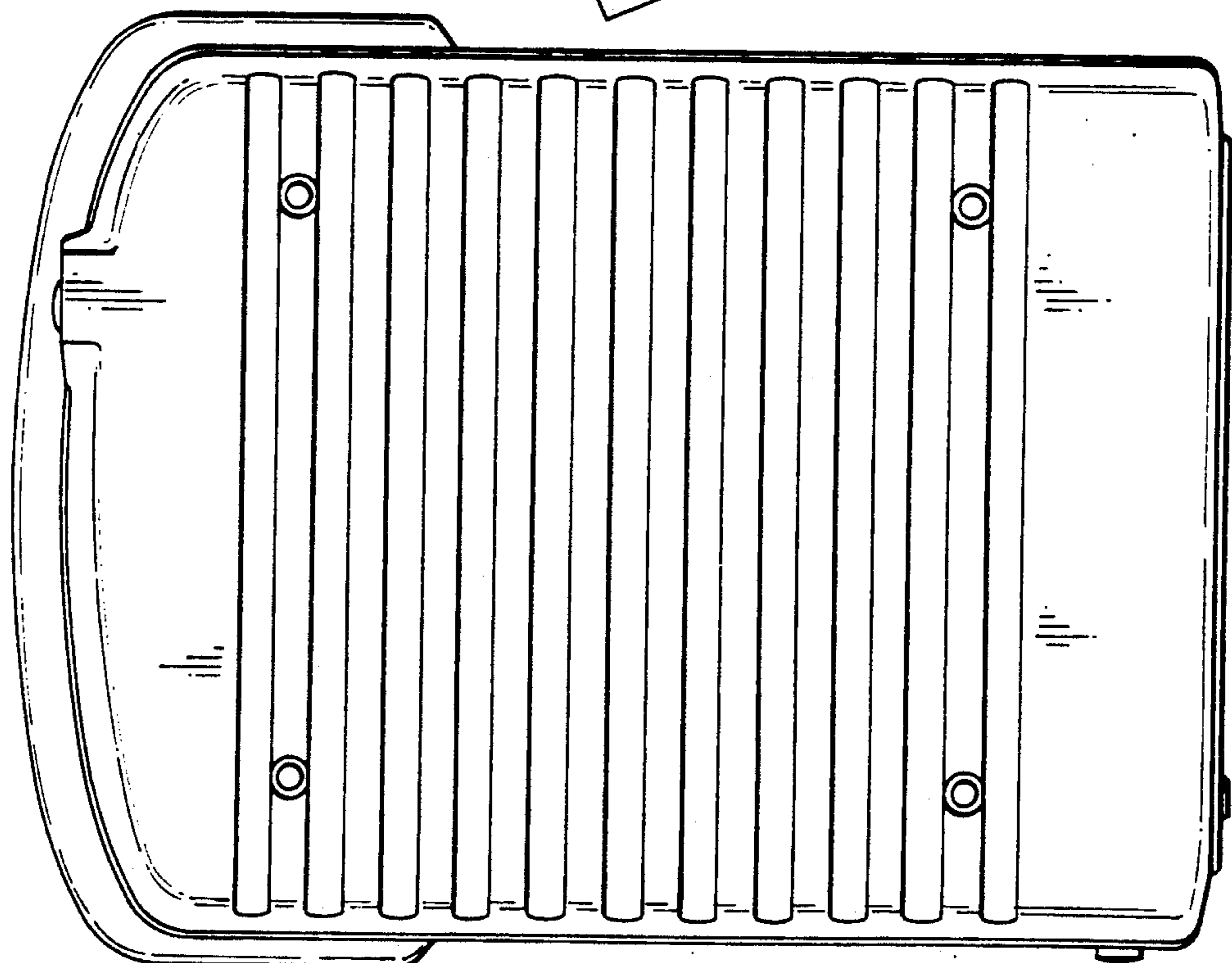


FIG. 6

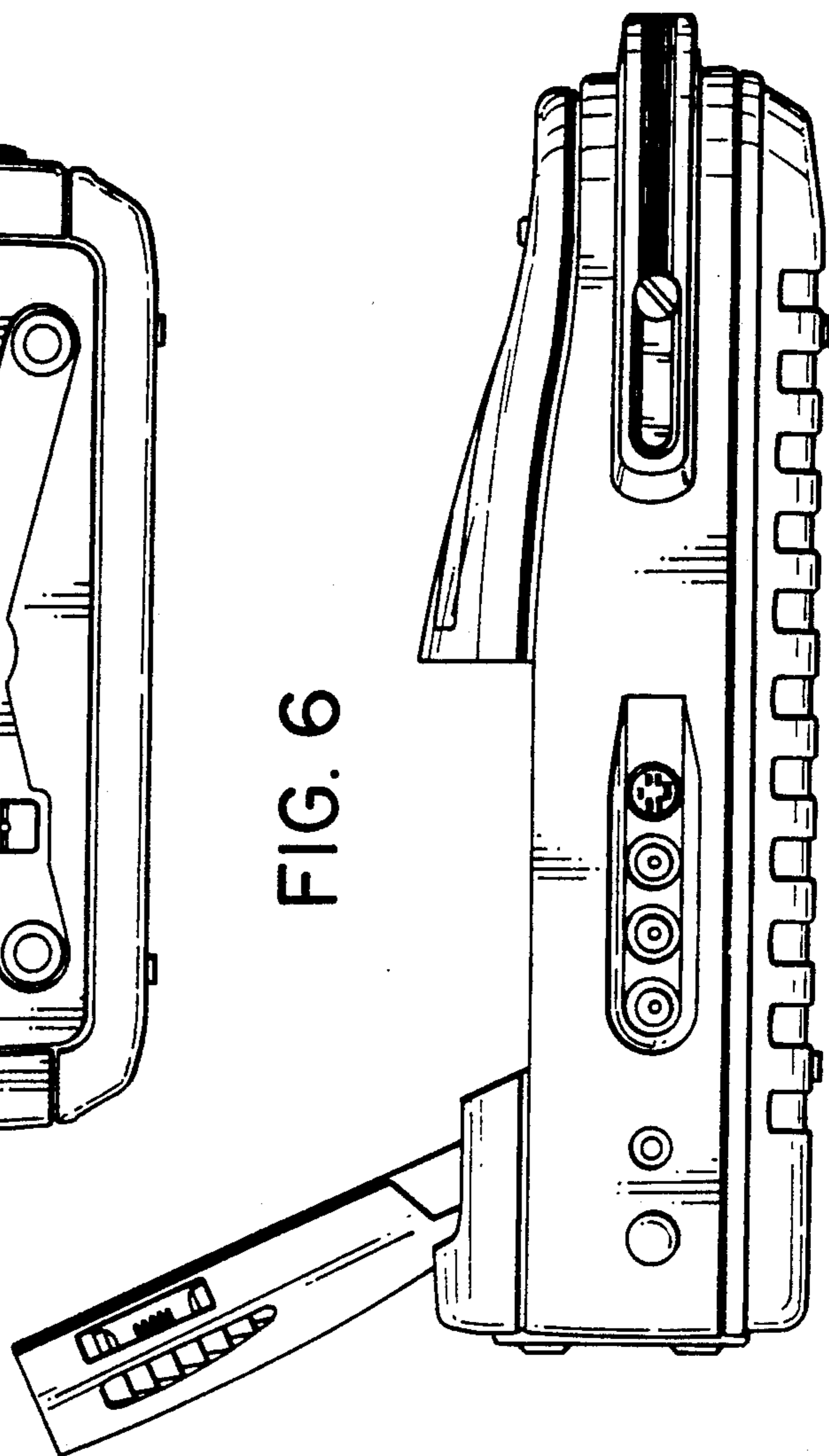


FIG. 11

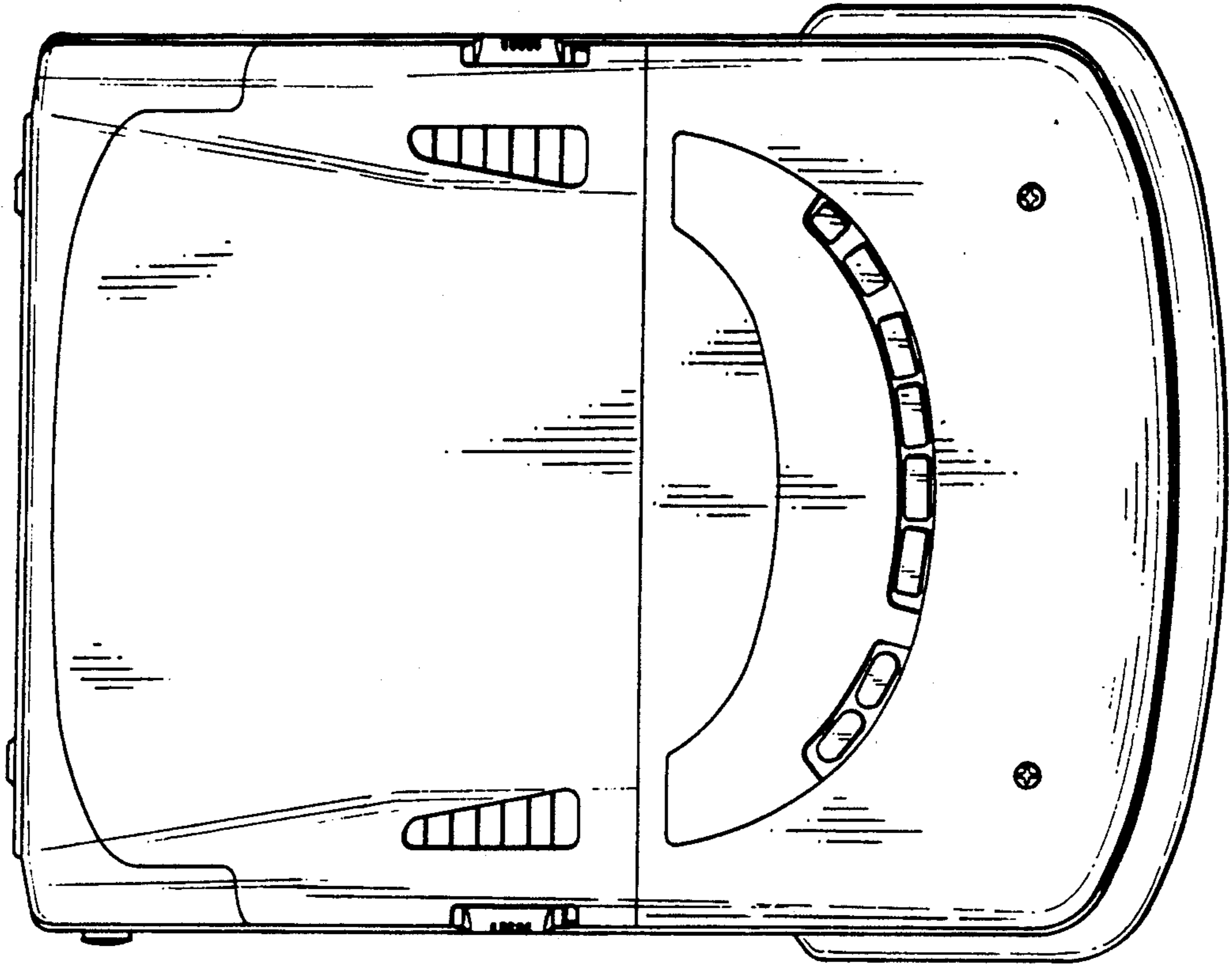


FIG. 9

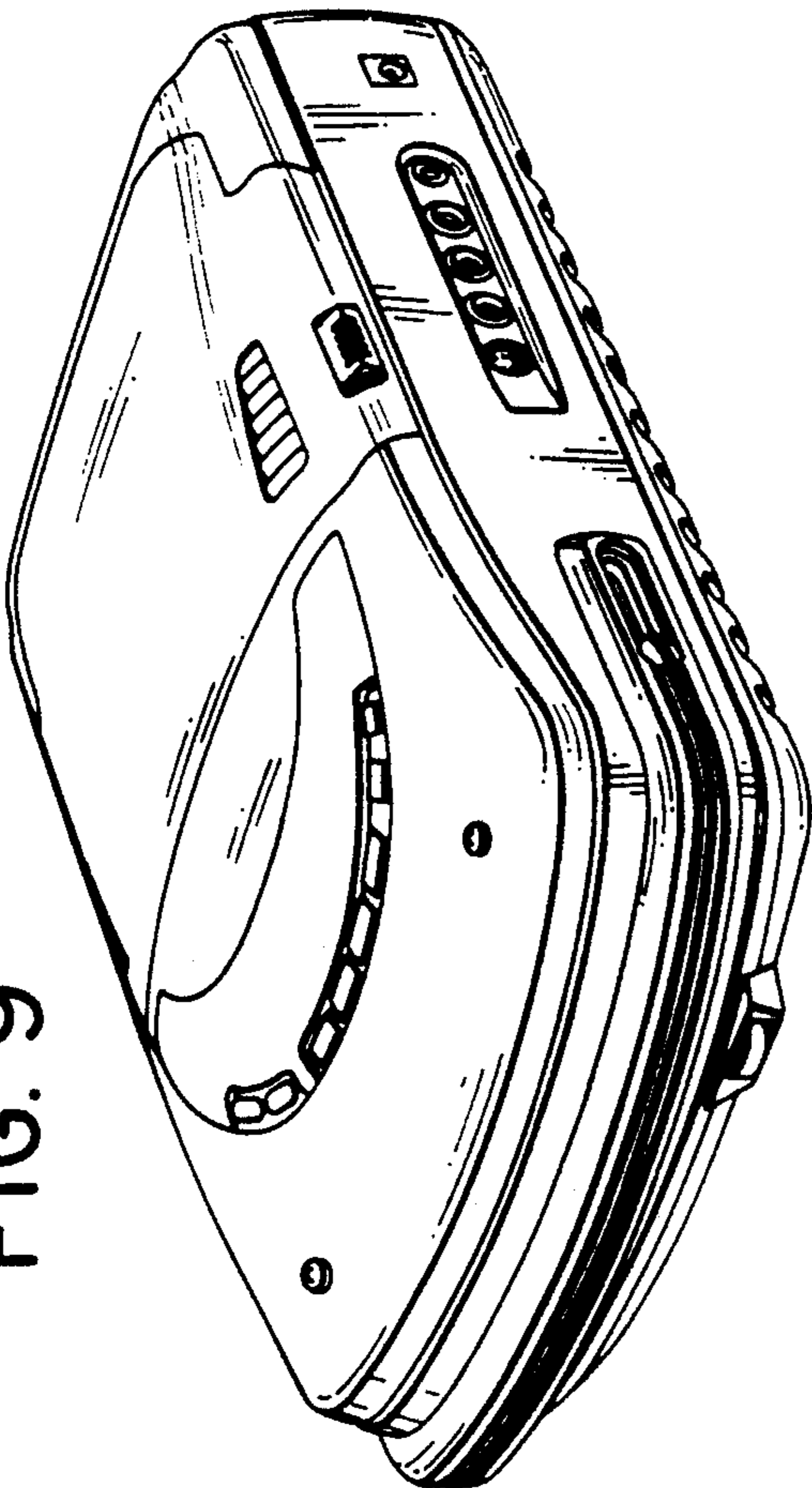


FIG. 10

