



US00D324042S

**United States Patent** [19]  
**Nakahara**

[11] **Patent Number: Des. 324,042**  
[45] **Date of Patent: \*\* Feb. 18, 1992**

[54] **TELEVISION RECEIVER**

[75] **Inventor: Michihiro Nakahara, Koshigaya, Japan**  
[73] **Assignee: Kabushiki Kaisha Toshiba, Kawasaki, Japan**  
[\*\*] **Term: 14 Years**  
[21] **Appl. No.: 497,247**  
[22] **Filed: Mar. 22, 1990**

[30] **Foreign Application Priority Data**  
Sep. 28, 1989 [JP] Japan ..... 1-35112  
[52] **U.S. Cl. .... D14/126**  
[58] **Field of Search .... D14/124-135, D14/113; 358/236-239, 254-255; 312/7.2**

[56] **References Cited**  
**U.S. PATENT DOCUMENTS**  
D. 308,366 6/1990 Saito et al. .... D14/126  
D. 308,375 6/1990 Saito et al. .... D14/126  
D. 311,183 10/1990 Fujii et al. .... D14/126

**FOREIGN PATENT DOCUMENTS**

719336 1/1987 Japan .

**OTHER PUBLICATIONS**

Dealerscope Merchandising, Aug. 1987, p. 48, Right-Panasonic Model CTJ2788R.

*Primary Examiner*—Theodore M. Shooman  
*Attorney, Agent, or Firm*—Oblon, Spivak, McClelland, Maier & Neustadt

[57] **CLAIM**

The ornamental design for a television receiver, as shown and described.

**DESCRIPTION**

FIG. 1 is a top, front and right side perspective view of a television receiver showing my new design; FIG. 2 is a top, rear and left side perspective view thereof; FIG. 3 is a front elevational view thereof; FIG. 4 is a right side elevational view thereof; FIG. 5 is a left side elevational view thereof; FIG. 6 is a top plan view thereof; FIG. 7 is a rear elevational view thereof; and FIG. 8 is a bottom plan view thereof.

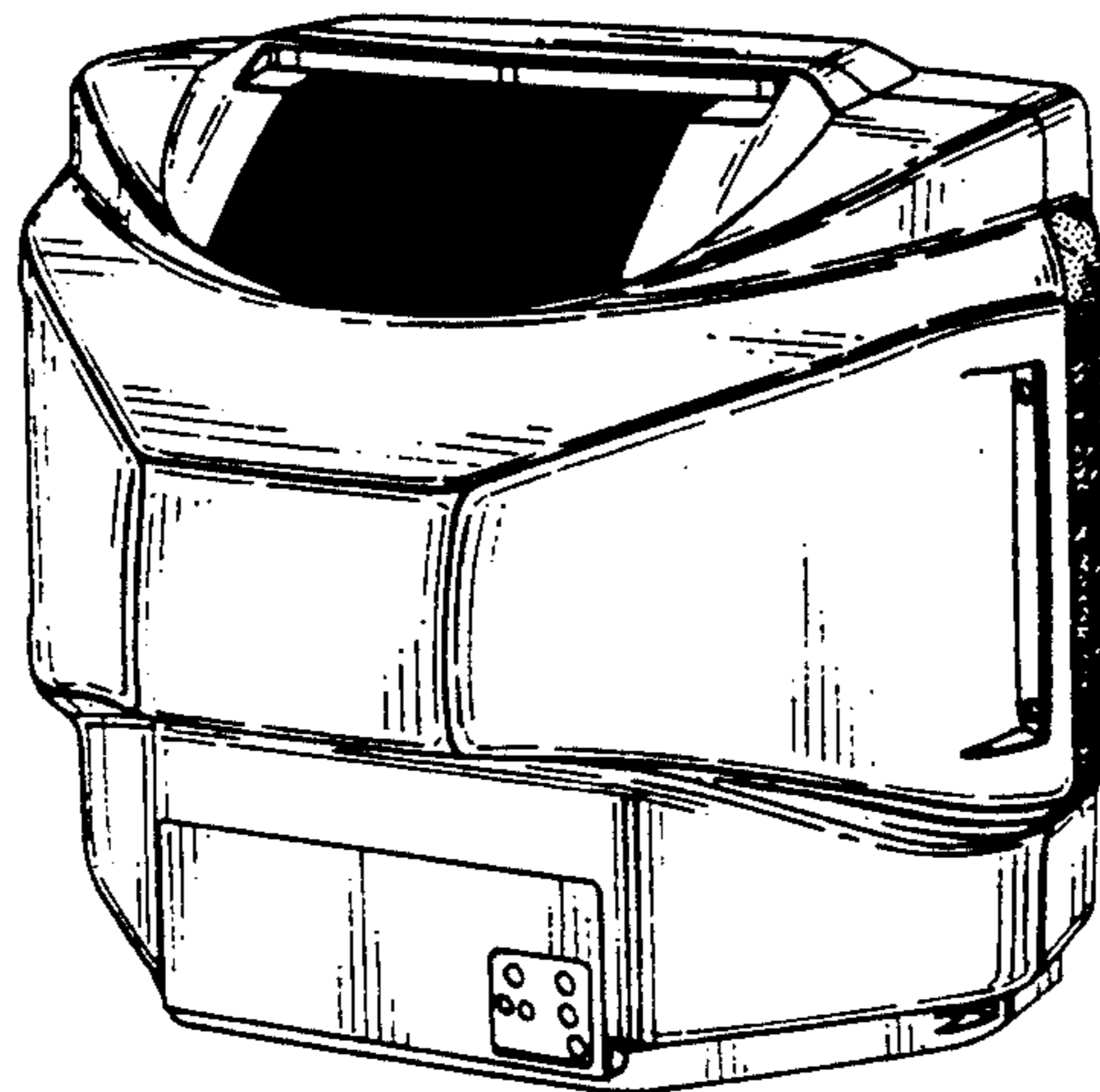
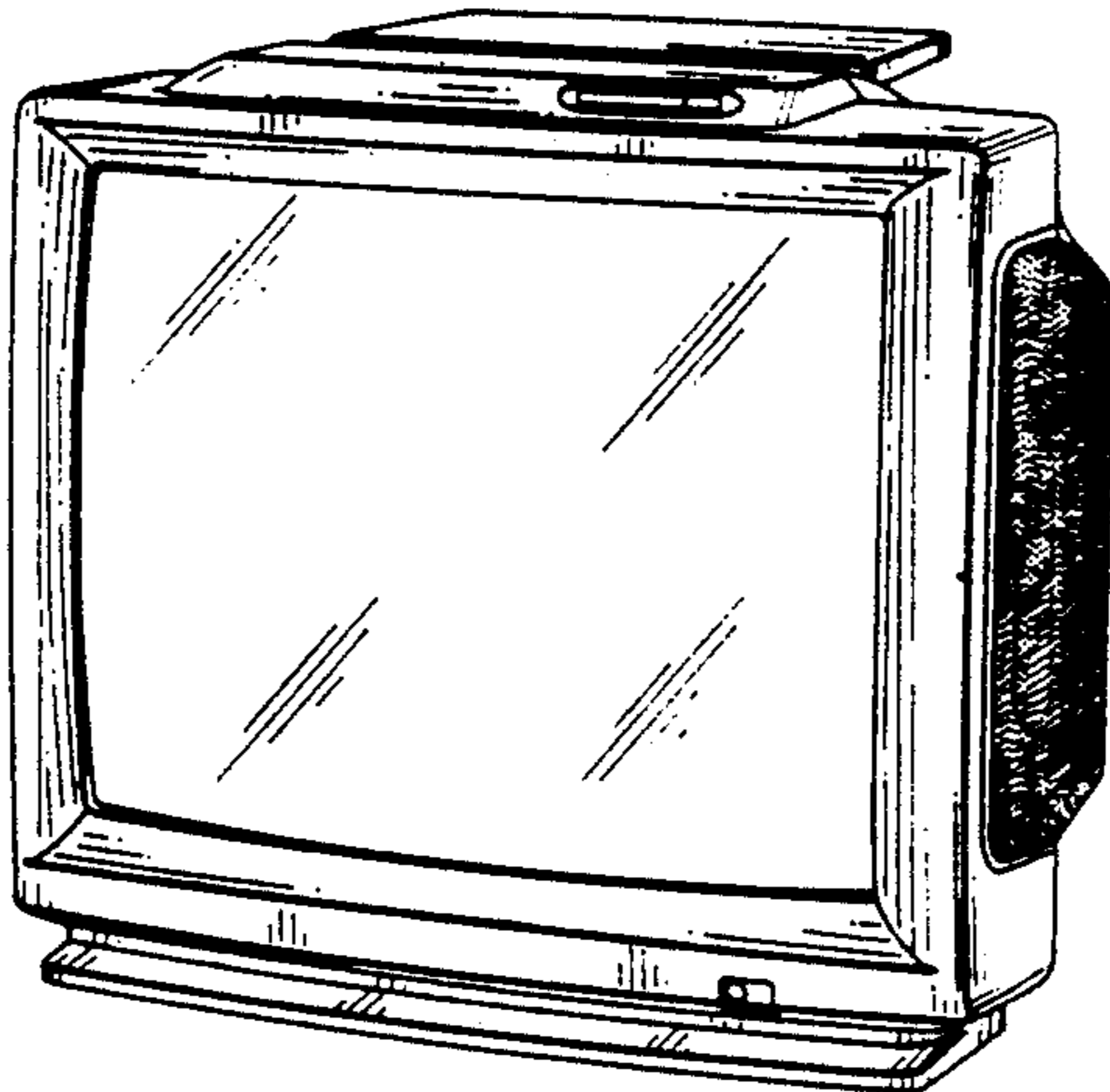


FIG. 1

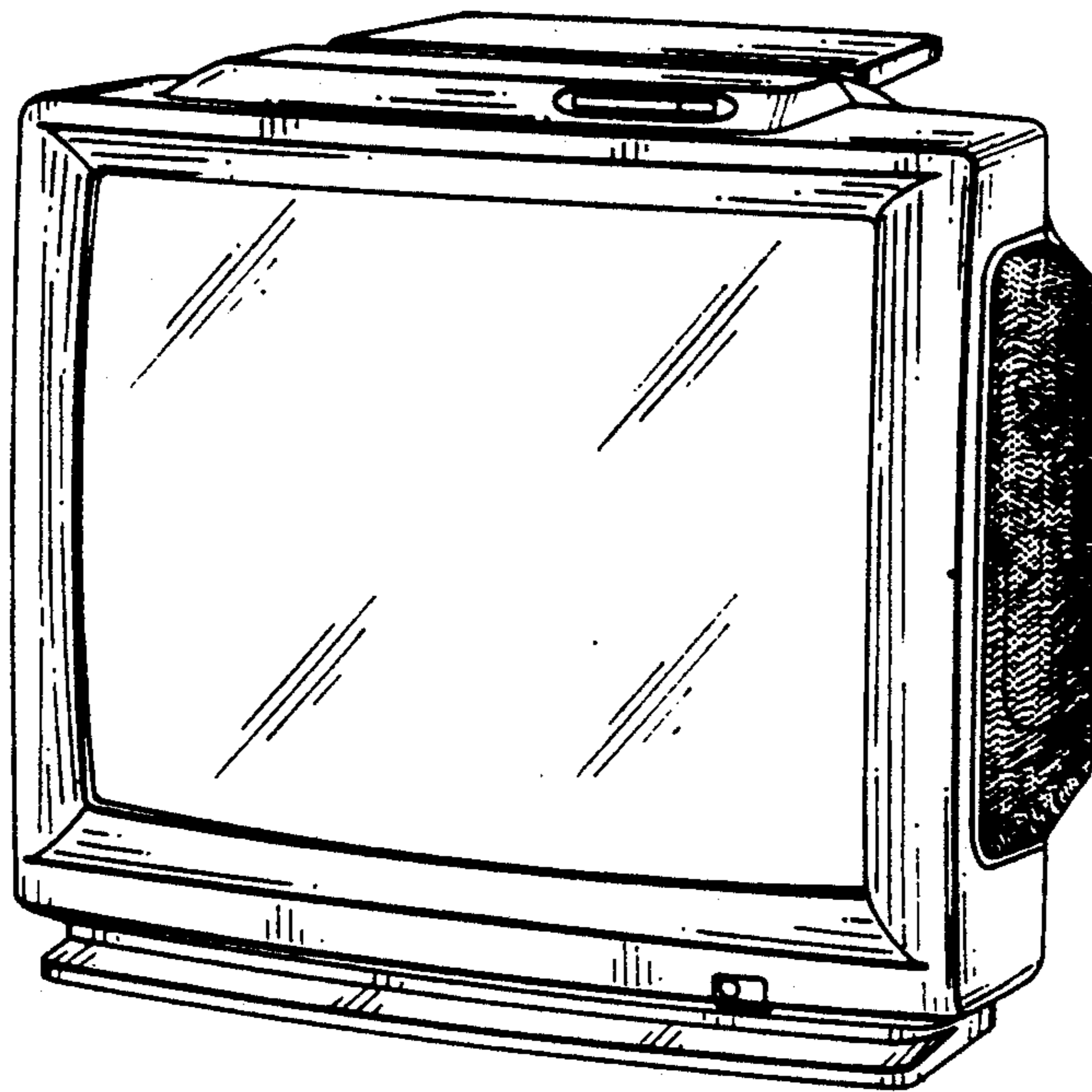


FIG. 2

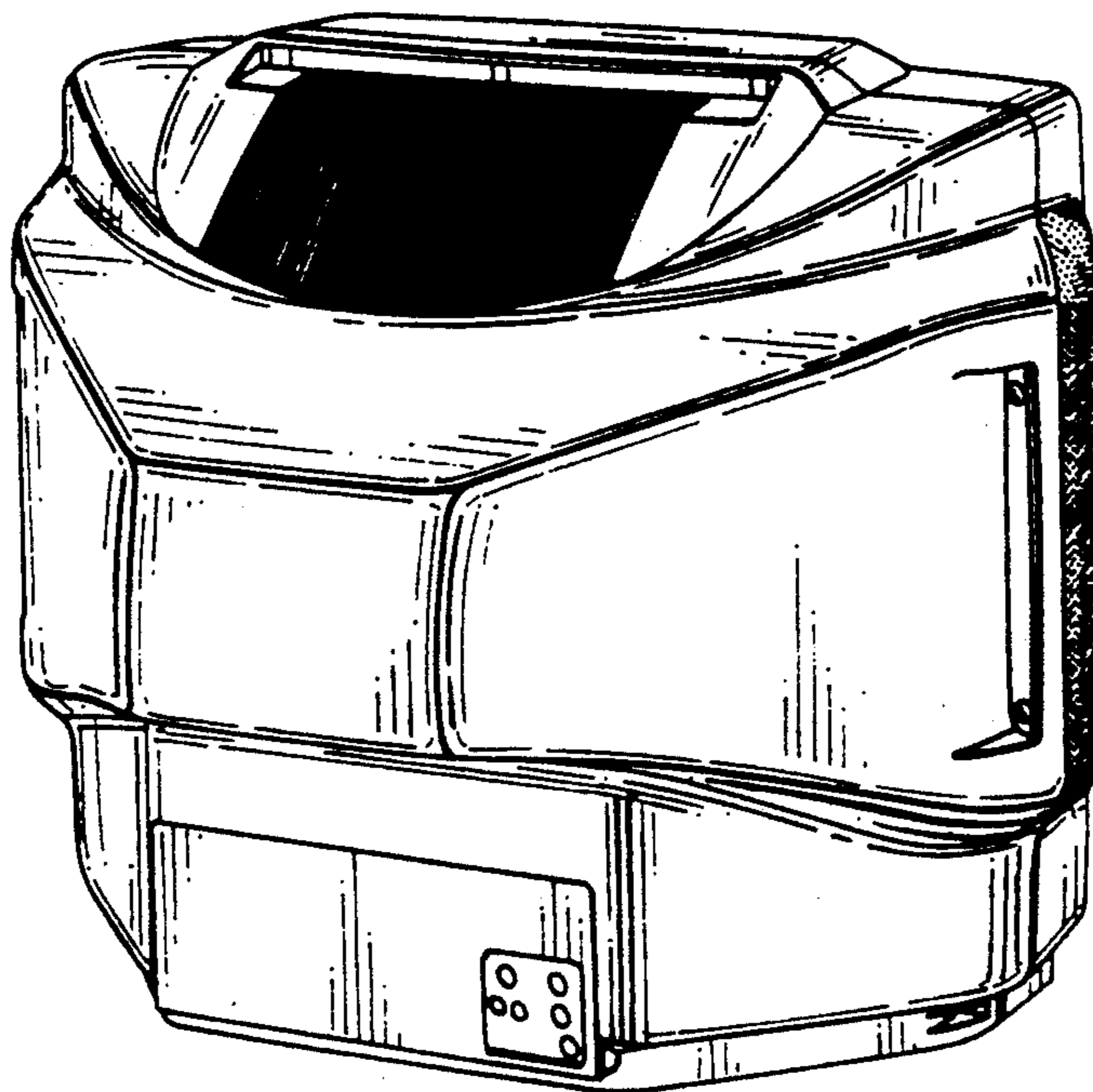


FIG. 3

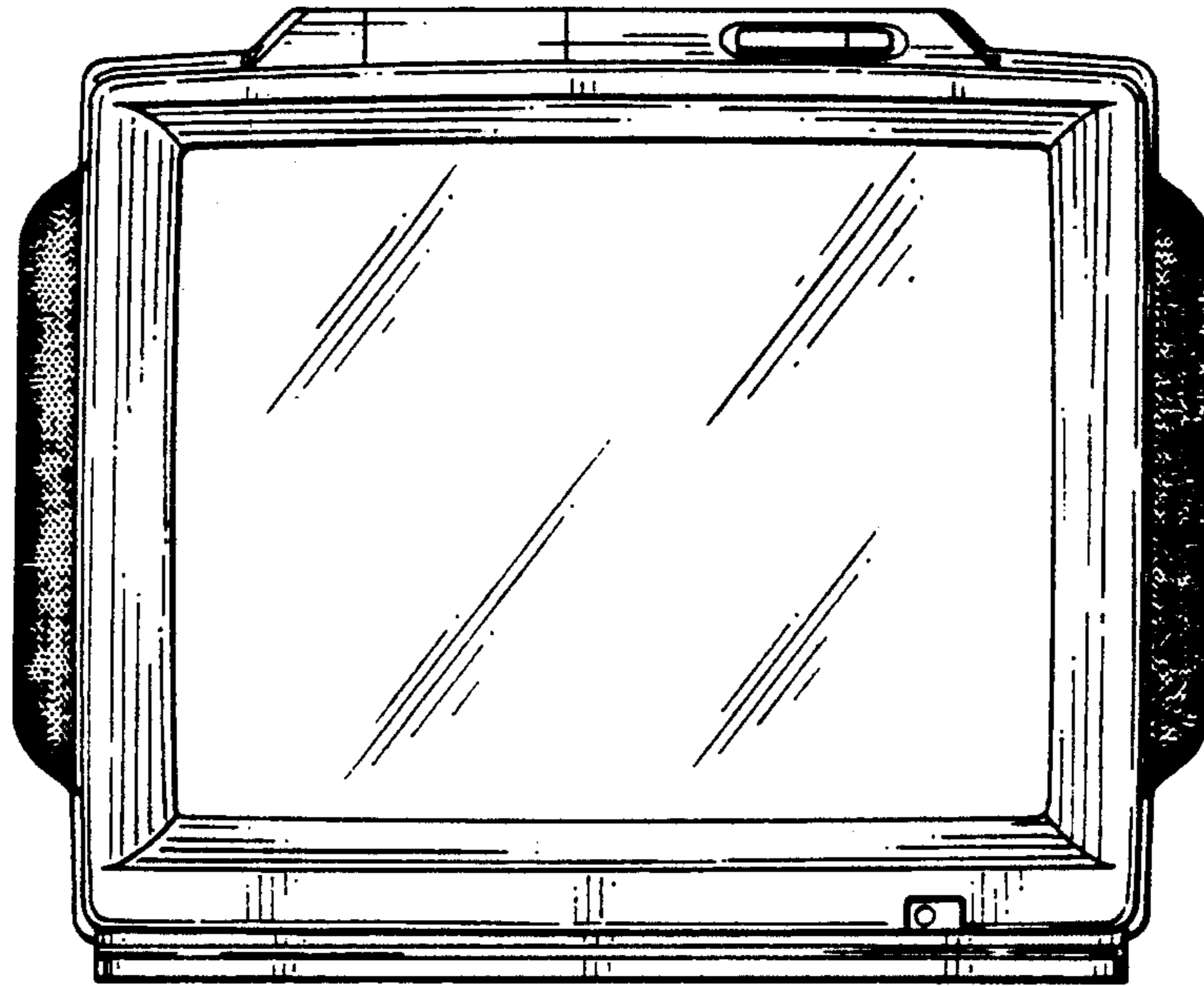


FIG. 4

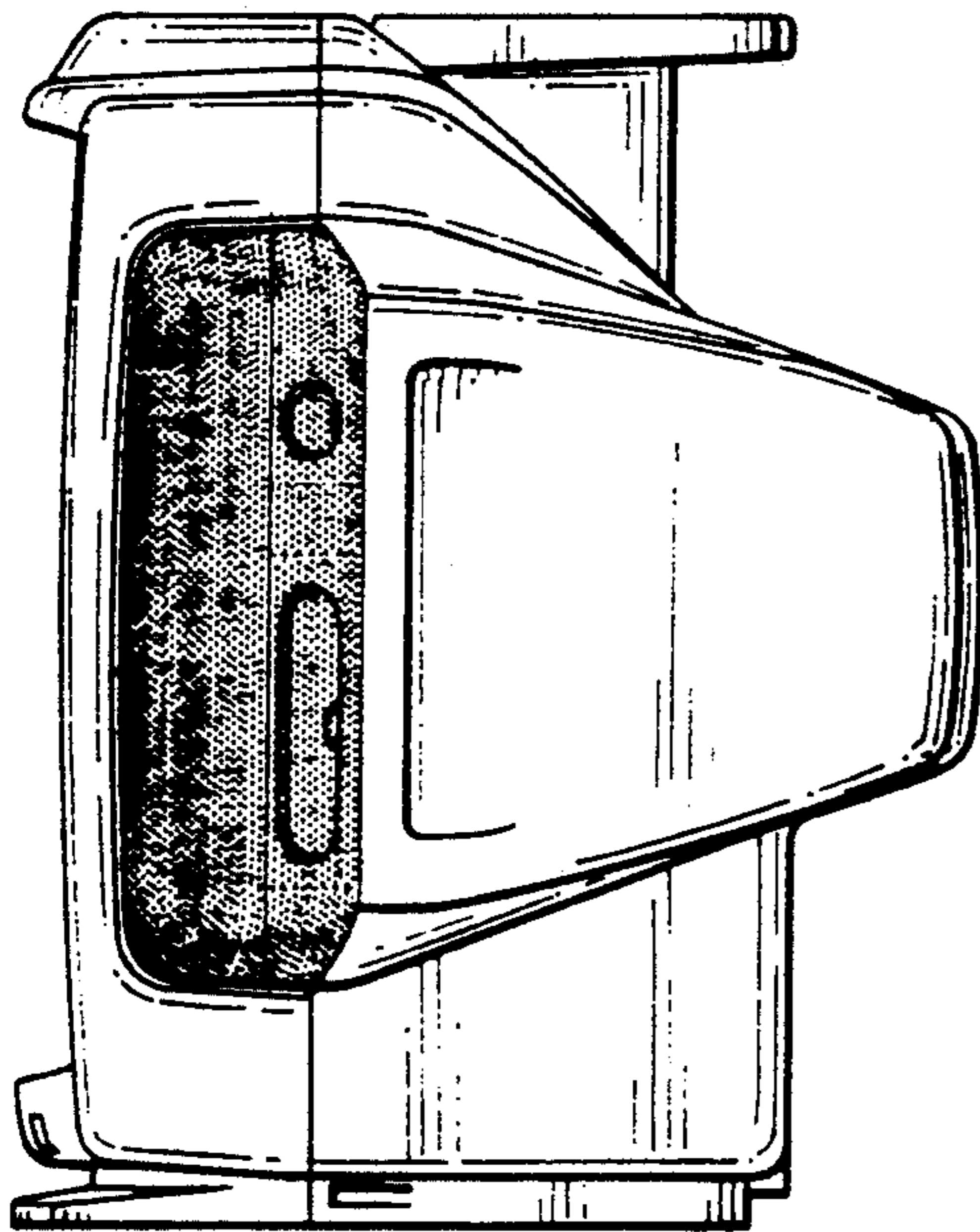


FIG. 5

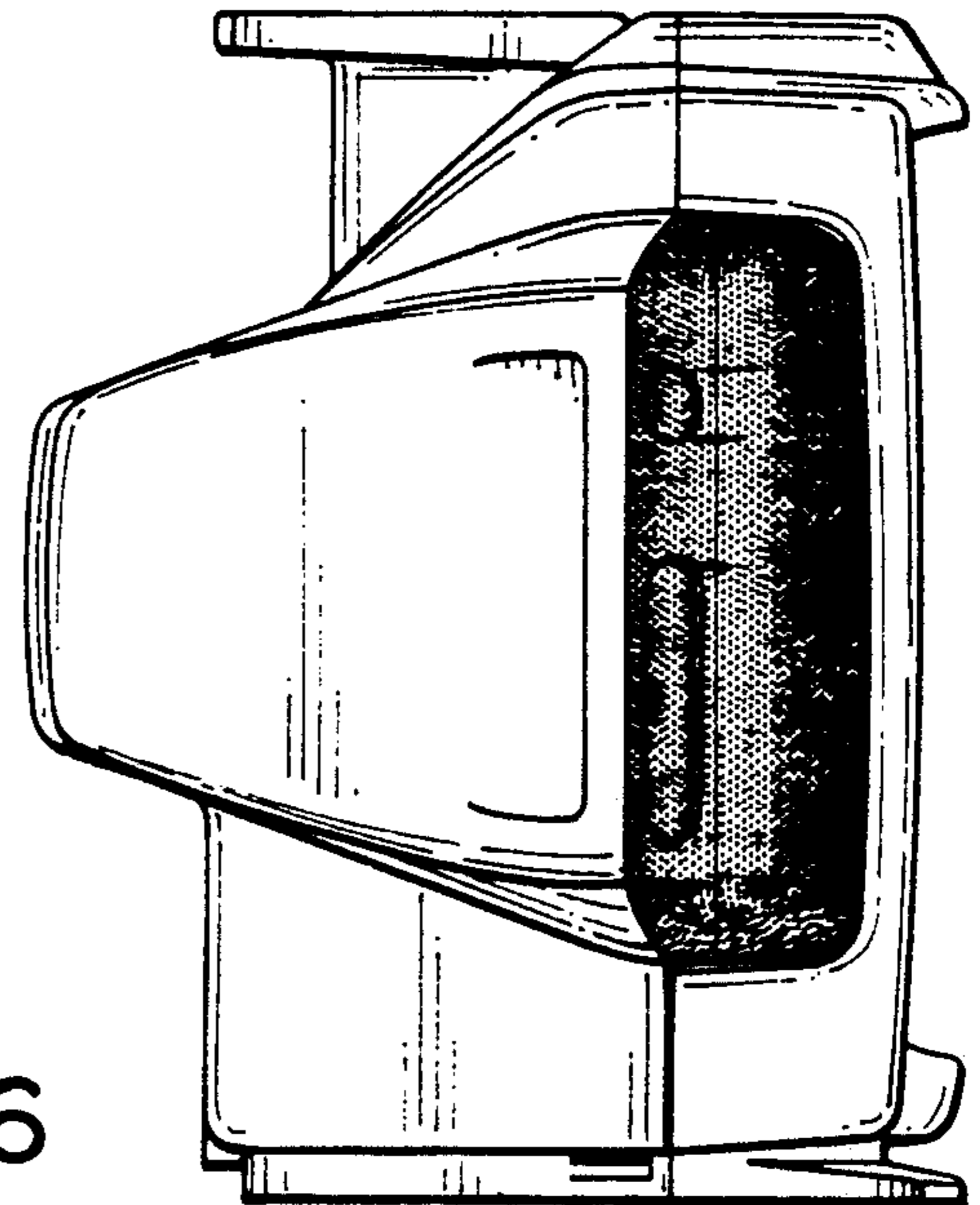


FIG. 6

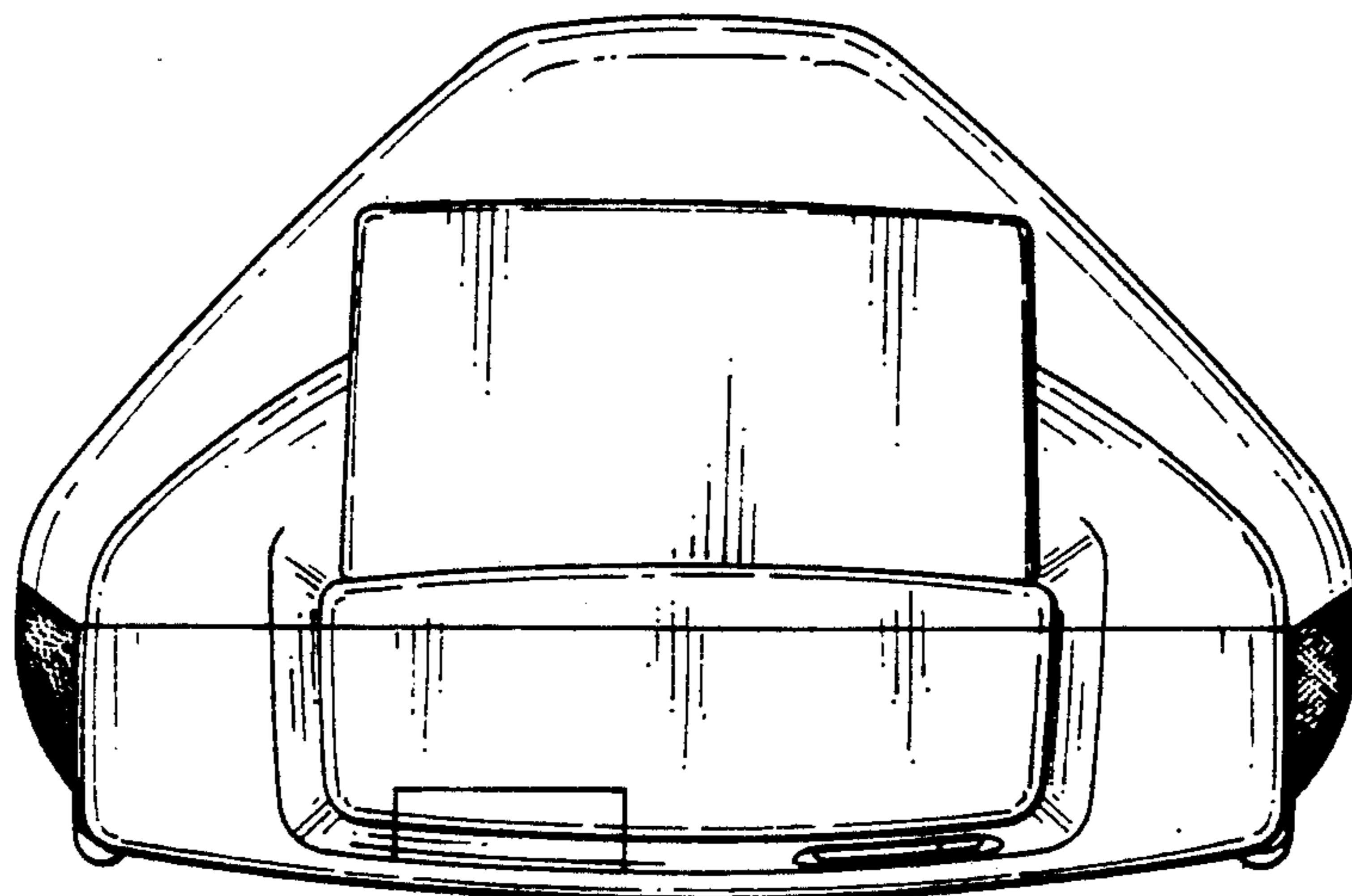


FIG. 7

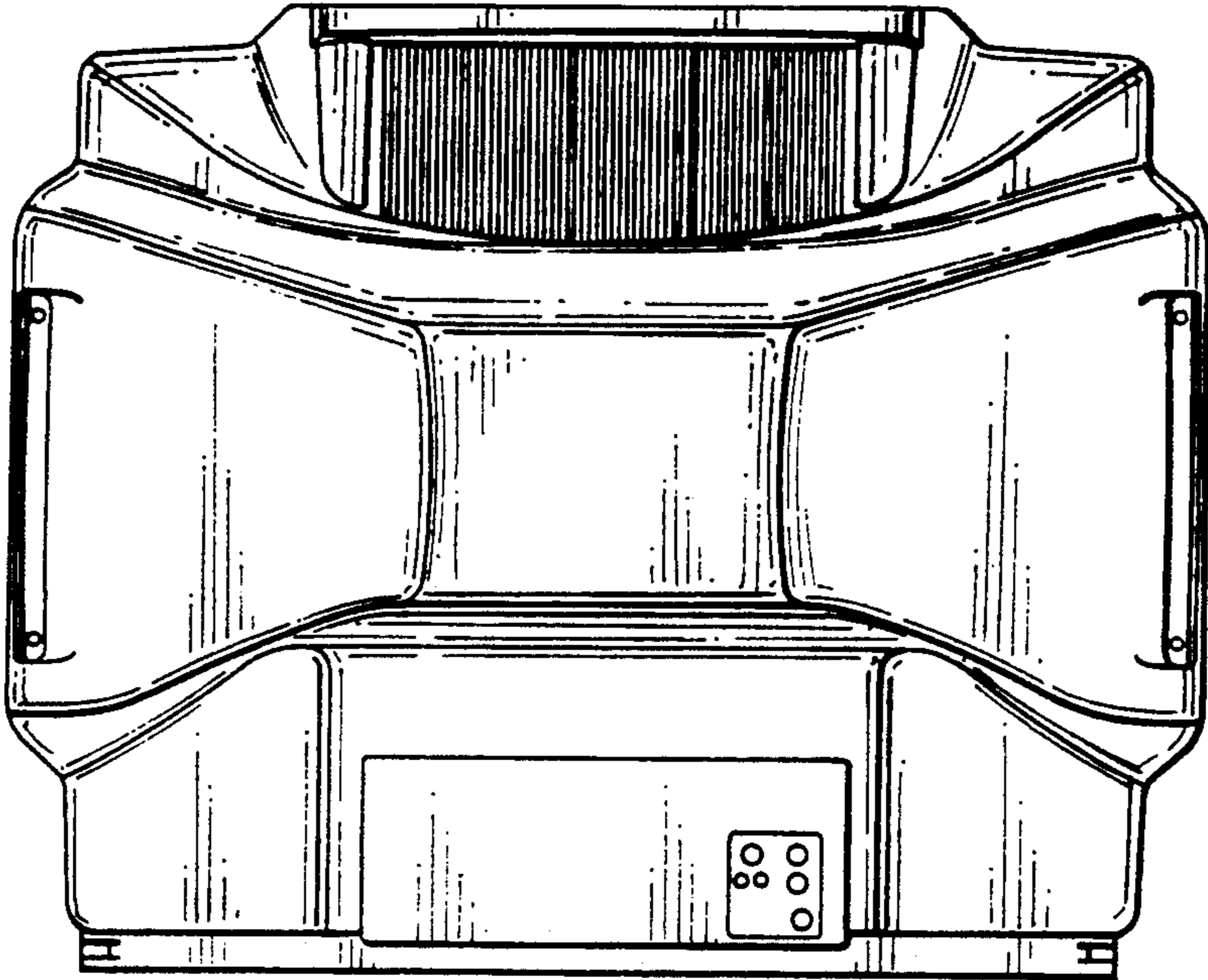


FIG. 8

