



US00D324040S

United States Patent [19]

[11] Patent Number: **Des. 324,040**

Saito et al.

[45] Date of Patent: **** Feb. 18, 1992**

[54] TELEVISION RECEIVER FOR AUTOMOBILES

D. 306,582 3/1990 Miyahara et al. D14/126
4,528,597 7/1985 Klein et al. 358/254

[75] Inventors: **Shinji Saito, Kawasaki; Kazuharu Yamamoto; Masahiko Kashiwabara,** both of Yokohama; **Kazuya Fujita,** Kawasaki; **Iwao Ohyama,** Kumagaya, all of Japan

OTHER PUBLICATIONS

Markline Spring 1982 Catalog, p. 21, top right-Panasonic TV.
Panasonic Publication No. TR-3LC2, Mar. 10, 1986.

[73] Assignee: **Kabushiki Kaisha Toshiba,** Kawasaki, Japan

Primary Examiner—Theodore M. Shooman
Attorney, Agent, or Firm—Oblon, Spivak, McClelland, Maier & Neustadt

[**] Term: **14 Years**

[57] CLAIM

[21] Appl. No.: **453,453**

The ornamental design for a television receiver for automobiles, as shown and described.

[22] Filed: **Dec. 18, 1989**

DESCRIPTION

[30] Foreign Application Priority Data

Jun. 20, 1989 [JP] Japan 1-22487

[52] U.S. Cl. **D14/126**

[58] Field of Search D14/124-135,
D14/113; 358/236-239, 254-255; 312/7.2

FIG. 1 is a top, front and right side perspective view of a television receiver for automobiles showing our new design;

FIG. 2 is a front elevational view thereof;

FIG. 3 is a top plan view thereof;

FIG. 4 is a right side elevational view thereof;

FIG. 5 is a left side elevational view thereof;

FIG. 6 is a rear elevational view thereof;

FIG. 7 is a bottom plan view thereof; and

FIG. 8 is a top, front and right side perspective view thereof with the television stowed.

[56] References Cited

U.S. PATENT DOCUMENTS

D. 294,700 3/1988 Sakuta D14/126

D. 295,863 5/1988 Sacherman D14/113

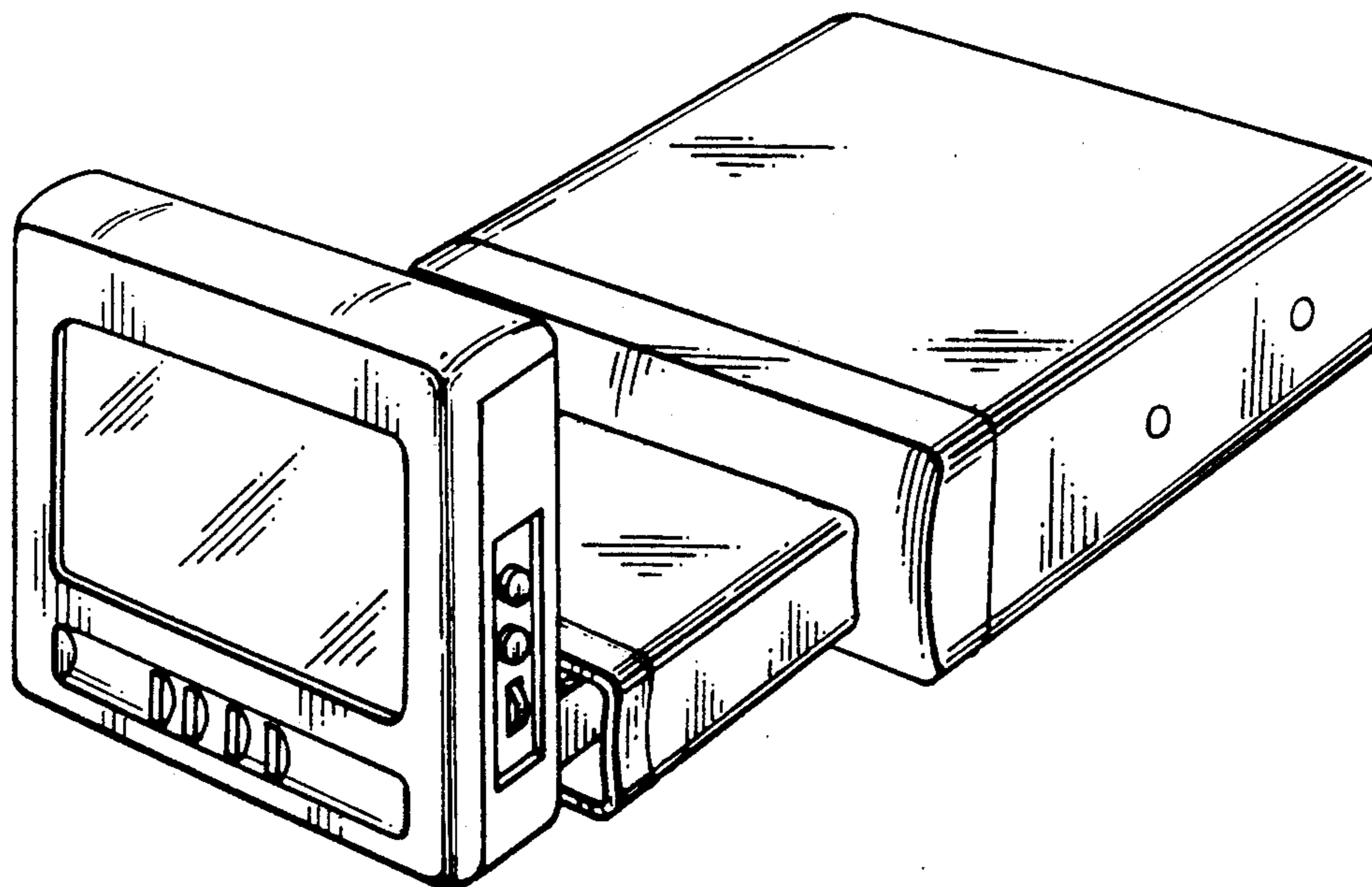


FIG. 1

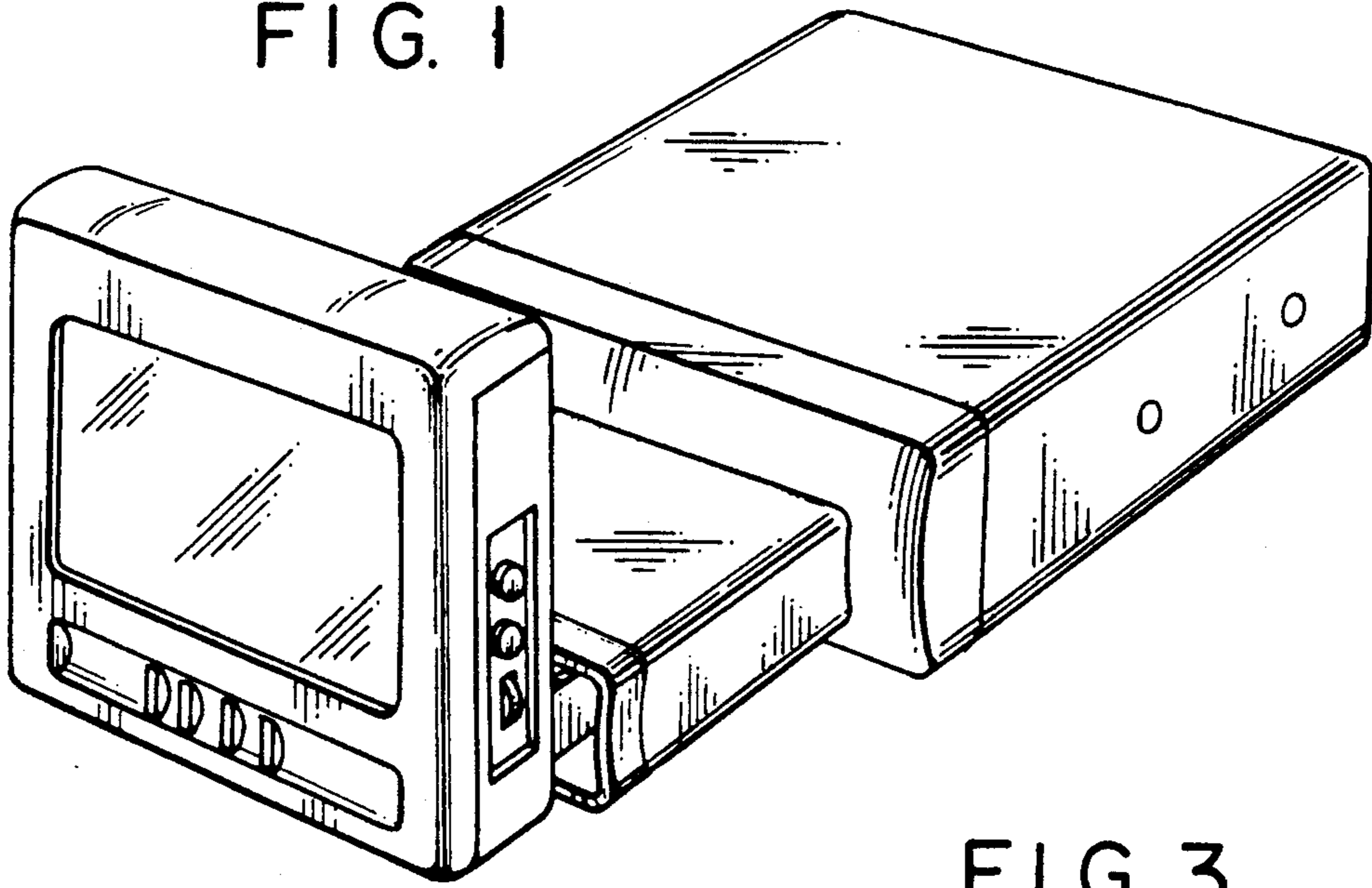


FIG. 2

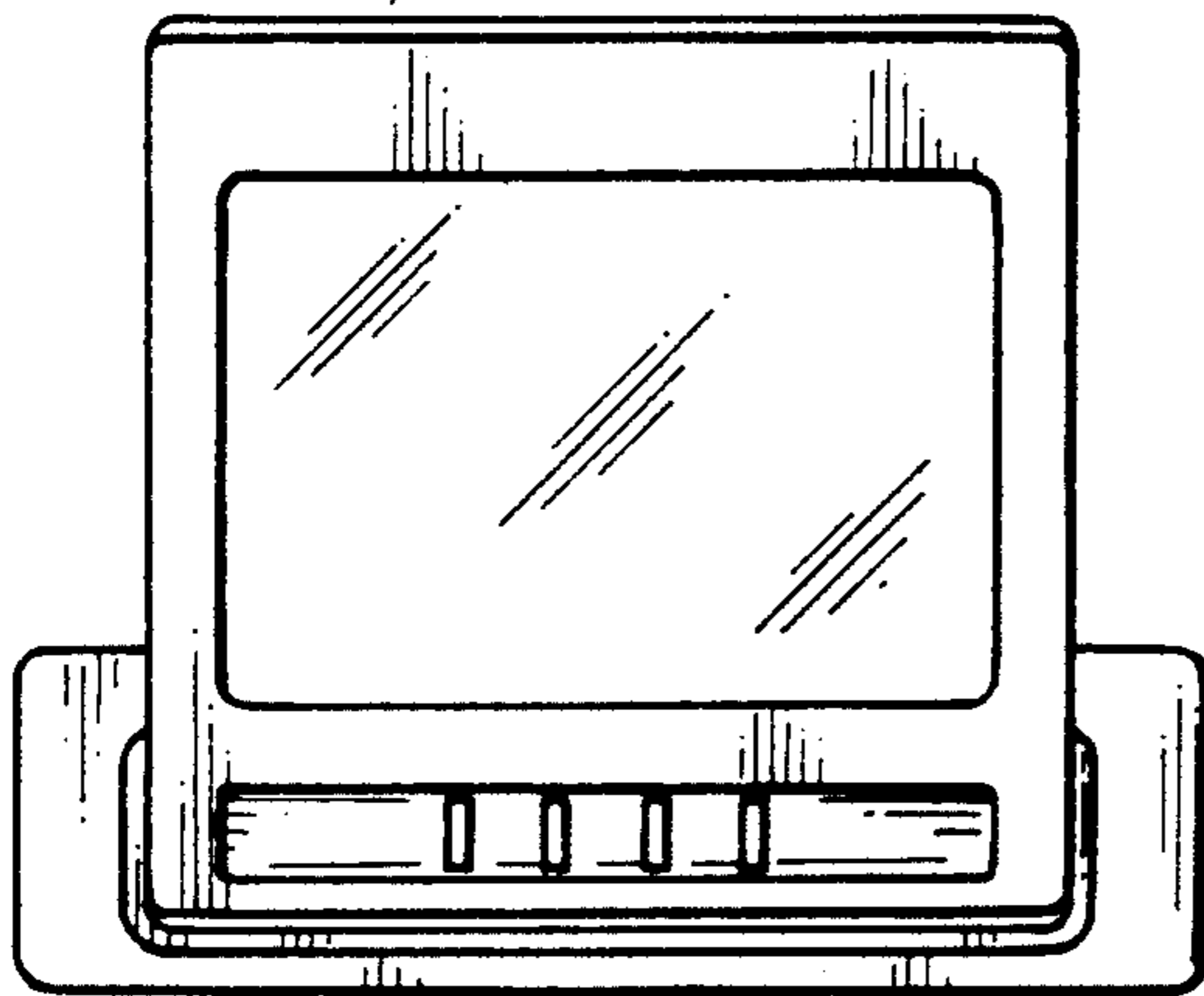


FIG. 3

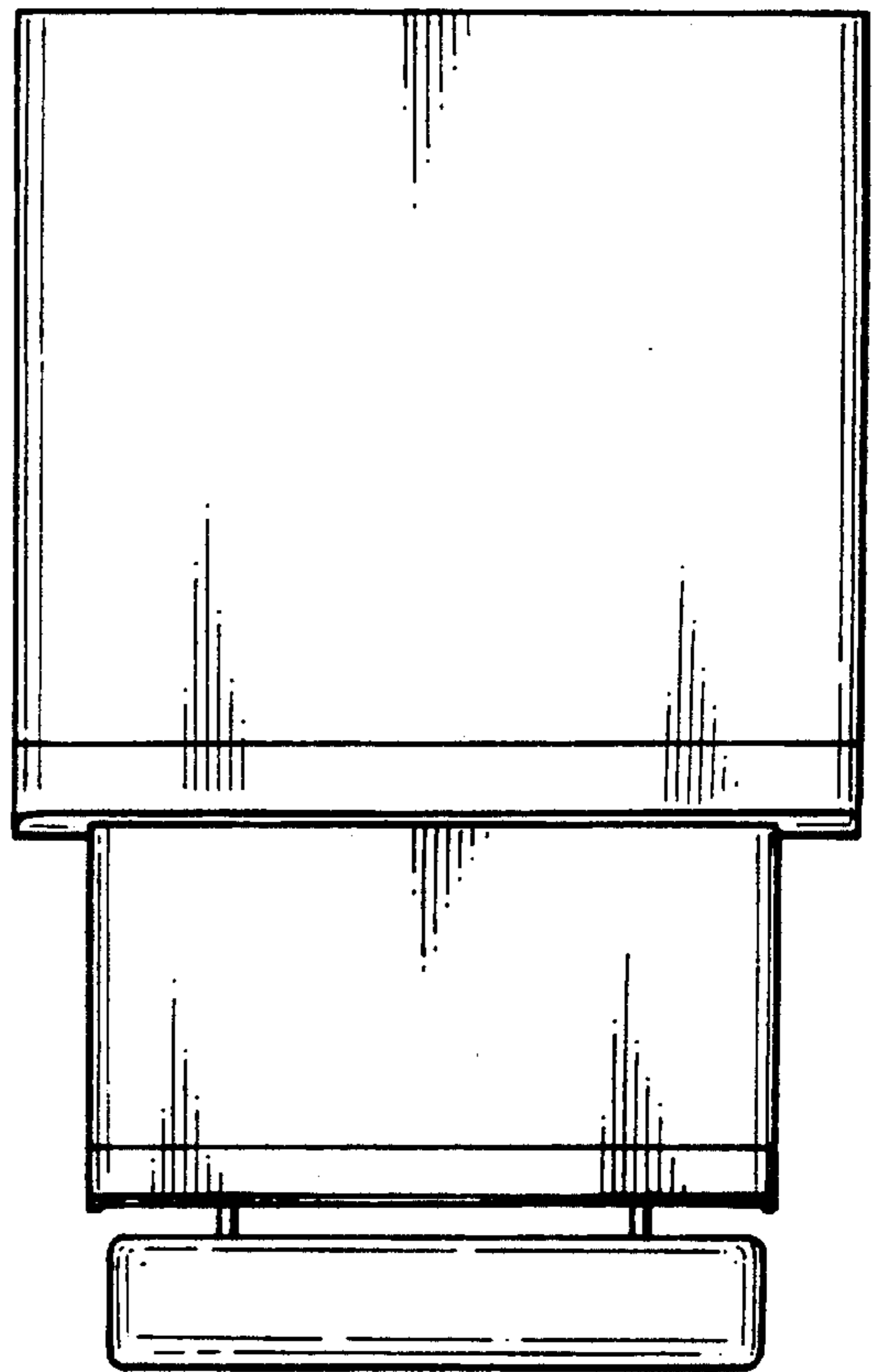


FIG. 4

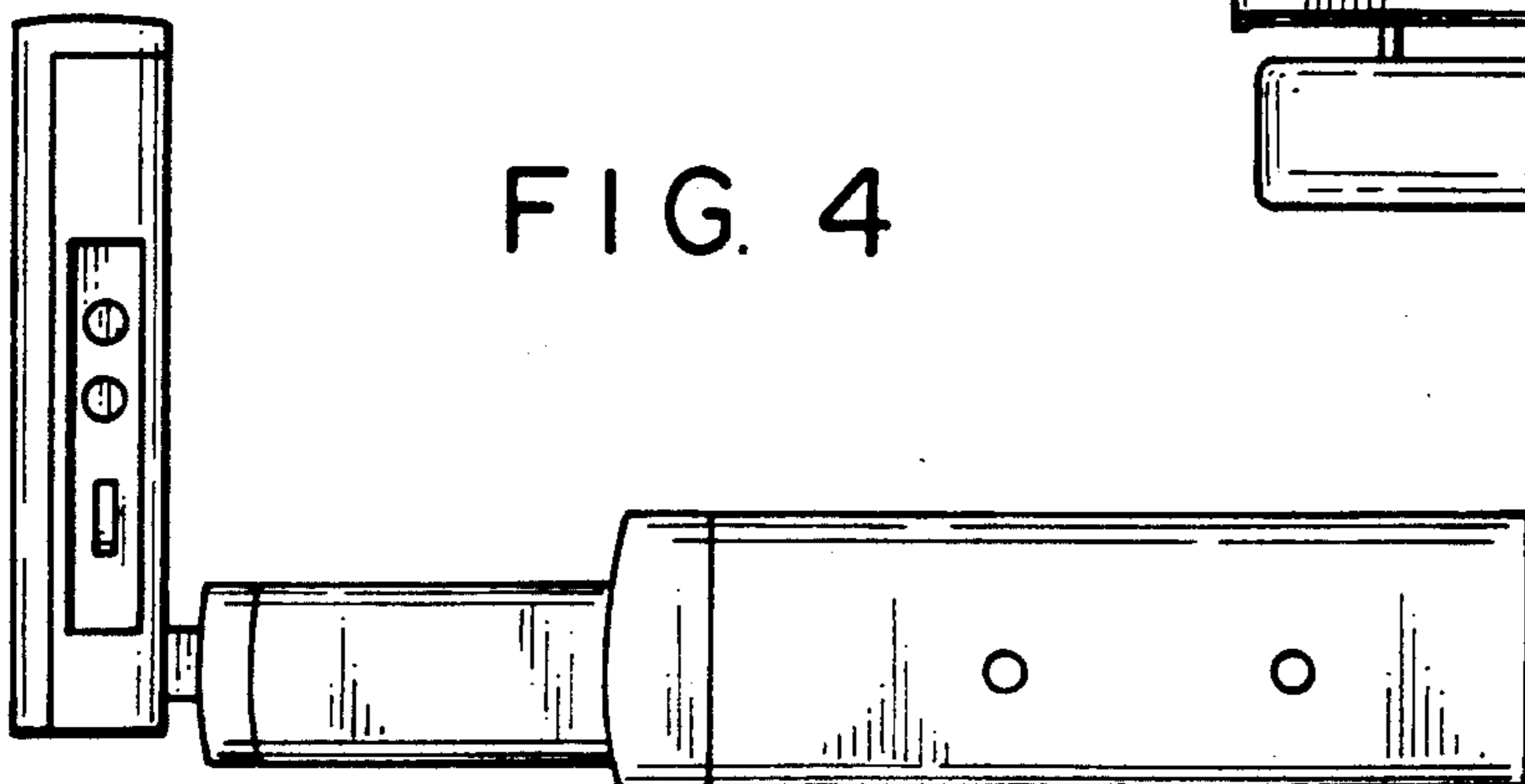


FIG. 5

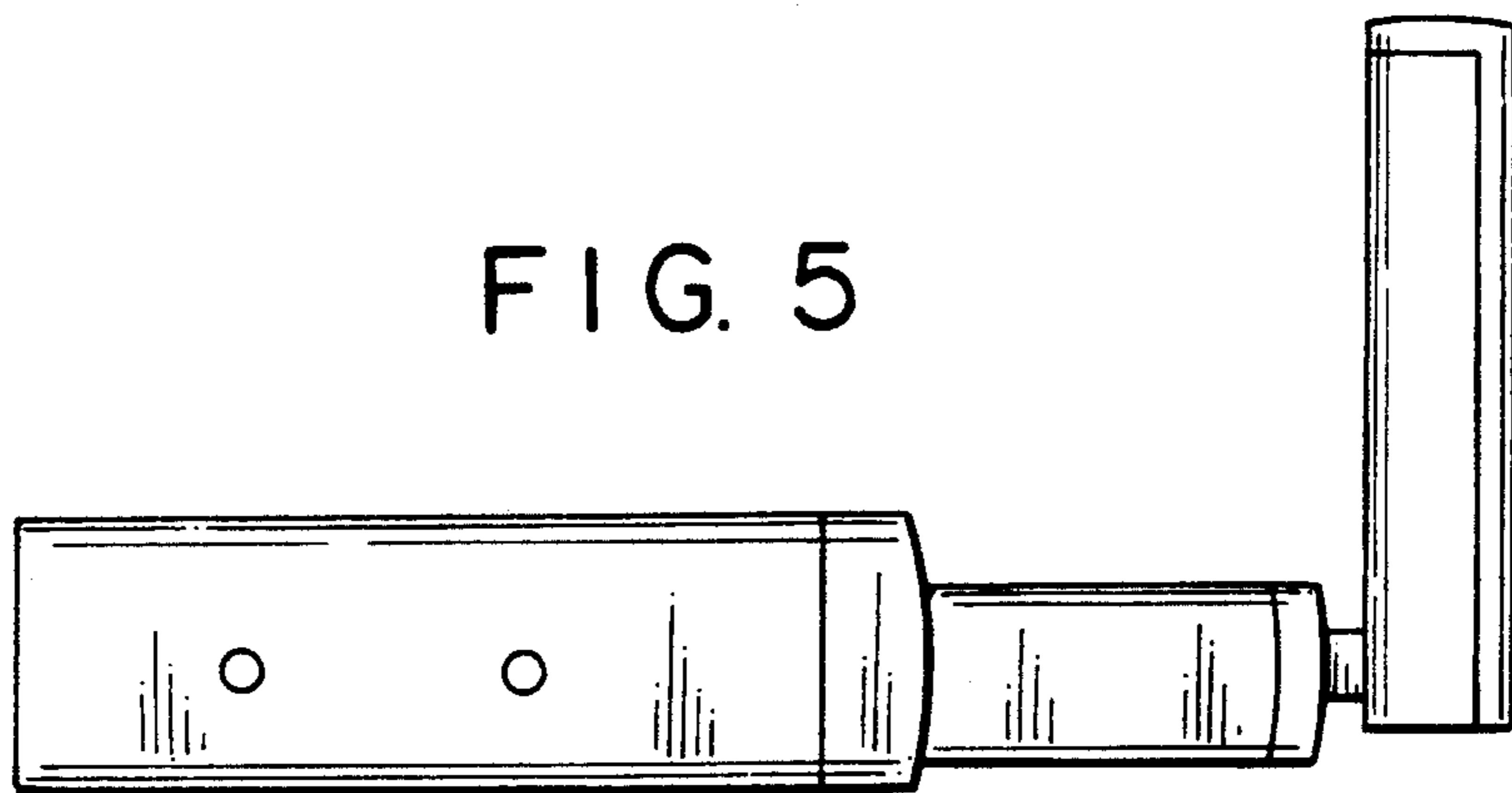


FIG. 7

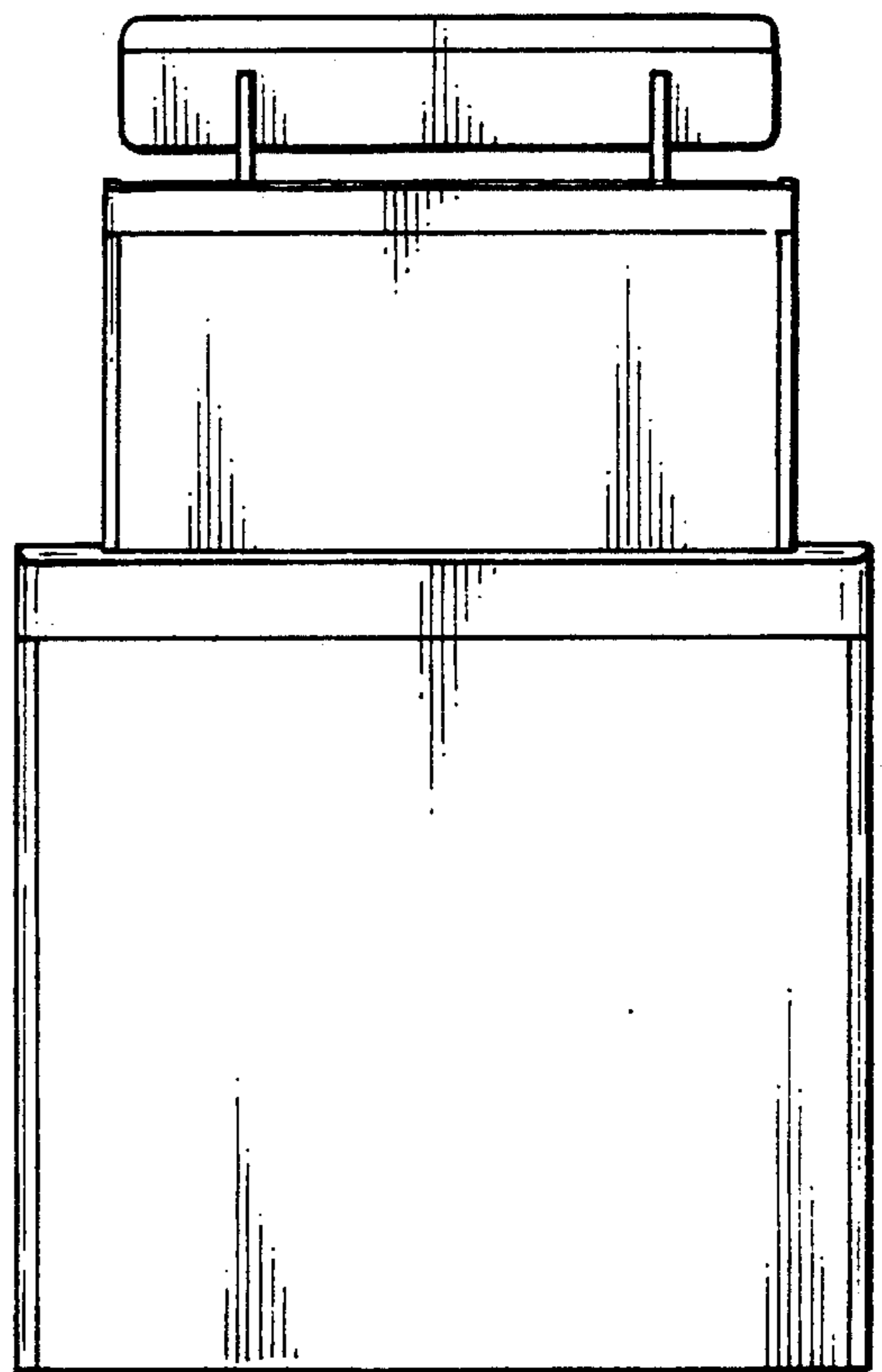


FIG. 6

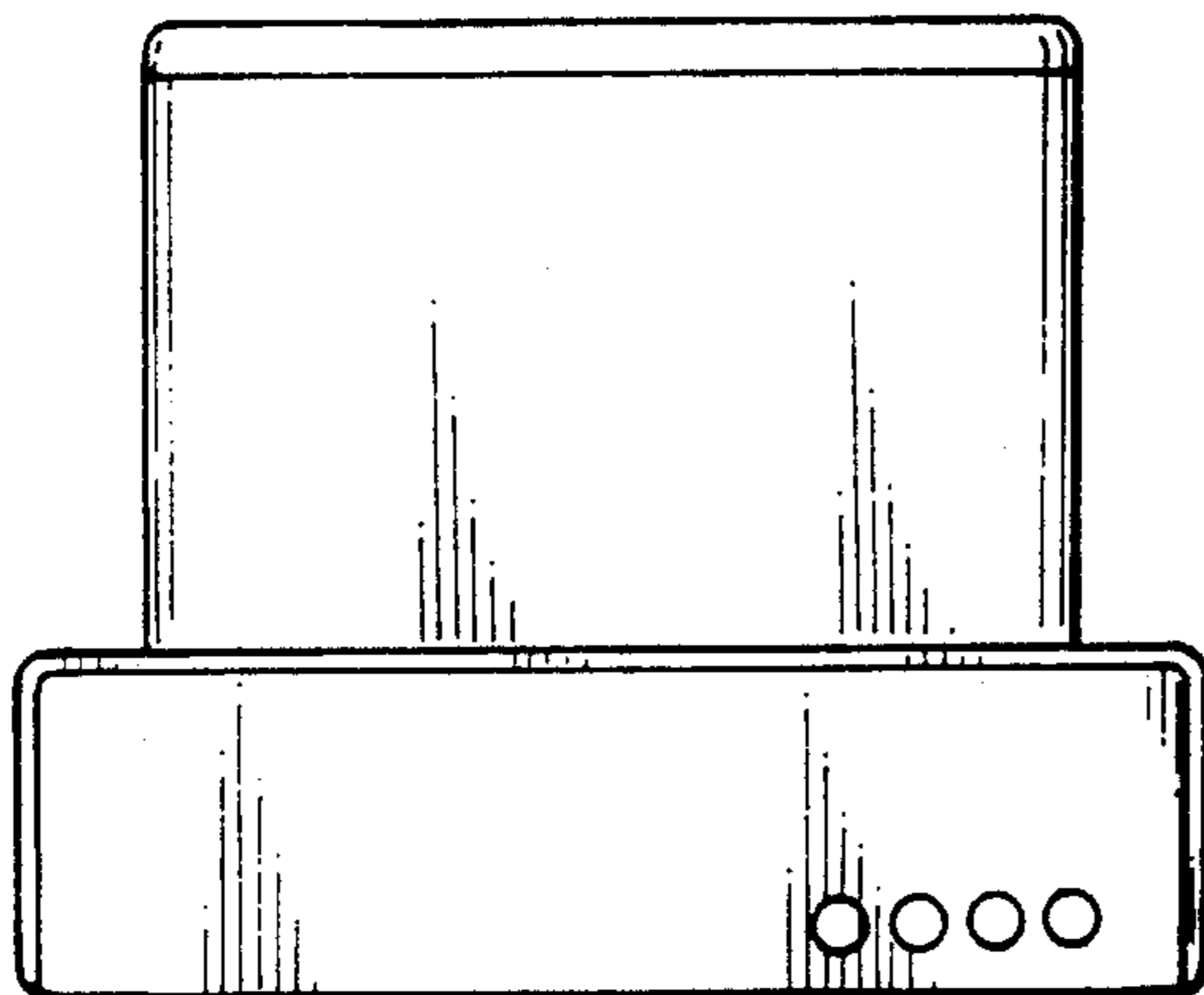


FIG. 8

