



US00D324036S

United States Patent [19]

[11] Patent Number: **Des. 324,036**

Wakasa

[45] Date of Patent: **** Feb. 18, 1992**

[54] **COMBINED ELECTRONIC COMPUTER AND TELEPHONE**

D. 309,304 7/1990 Takada et al. D14/144
4,856,045 8/1989 Hoshina 379/53

[75] Inventor: **Masamichi Wakasa**, Yokohama, Japan

Primary Examiner—Wallace R. Burke
Assistant Examiner—Freda S. Nunn
Attorney, Agent, or Firm—Banner, Birch, McKie & Beckett

[73] Assignee: **Kabushi Kaisha Toshiba**, Kanagawa, Japan

[**] Term: **14 Years**

[57] **CLAIM**

The ornamental design for a combined electronic computer and telephone, as shown and described.

[21] Appl. No.: **446,708**

DESCRIPTION

[22] Filed: **Dec. 6, 1989**

[52] U.S. Cl. **D14/101; D14/144**

[58] Field of Search **D14/100, 101, 106, 115, D14/130, 133, 142, 144, 252; D18/1, 7, 11, 12; 235/145 A, 145 R, 375; 340/700, 706, 711, 712; 341/22, 23, 26; 358/248, 249, 254; 364/706-710.14; 312/208, 352; 204/9; 379/53, 96, 352, 428**

FIG. 1 is a top, front and right side perspective view of a combined electronic computer and telephone showing my new design;

FIG. 2 is a front elevational view thereof;

FIG. 3 is a rear elevational view thereof;

FIG. 4 is a top plan view thereof;

FIG. 5 is a bottom plan view thereof;

FIG. 6 is a left side elevational view thereof;

FIG. 7 is a right side elevational view thereof;

FIG. 8 is a top, front and right side perspective view thereof showing the computer in wall-hanging position;

FIG. 9 is a top, front and right side perspective view thereof showing the keyboard in closed position;

The telephone cord is shown broken away in FIGS. 1-9 for convenience of illustration.

[56] **References Cited**

U.S. PATENT DOCUMENTS

D. 296,209	6/1988	Klicpera	D14/106
D. 300,744	4/1989	Oura et al.	D14/101
D. 303,523	9/1989	Shiozawa et al.	D14/106
D. 305,537	1/1990	Gilmore et al.	D14/101
D. 305,538	1/1990	Gilmore et al.	D14/101

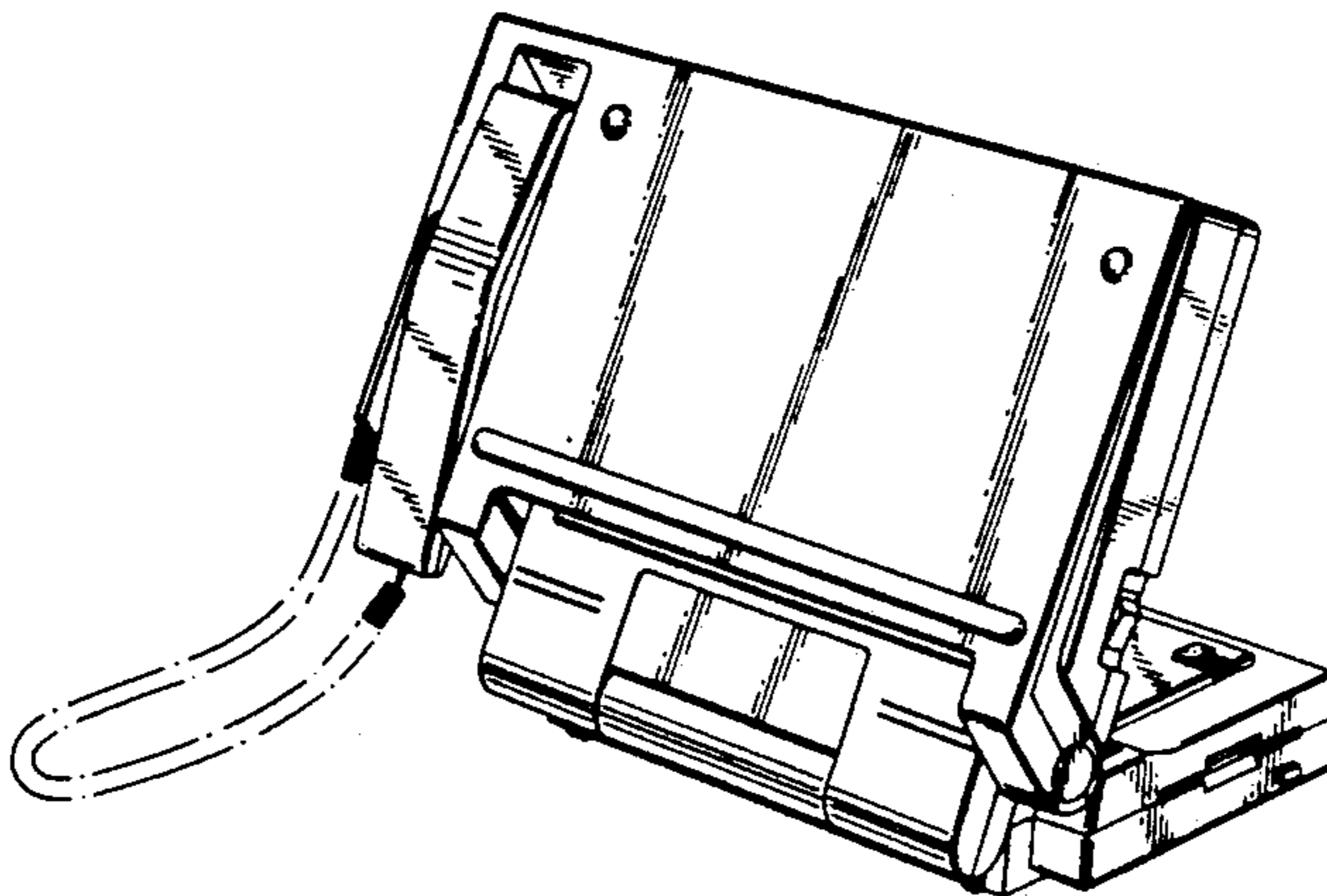
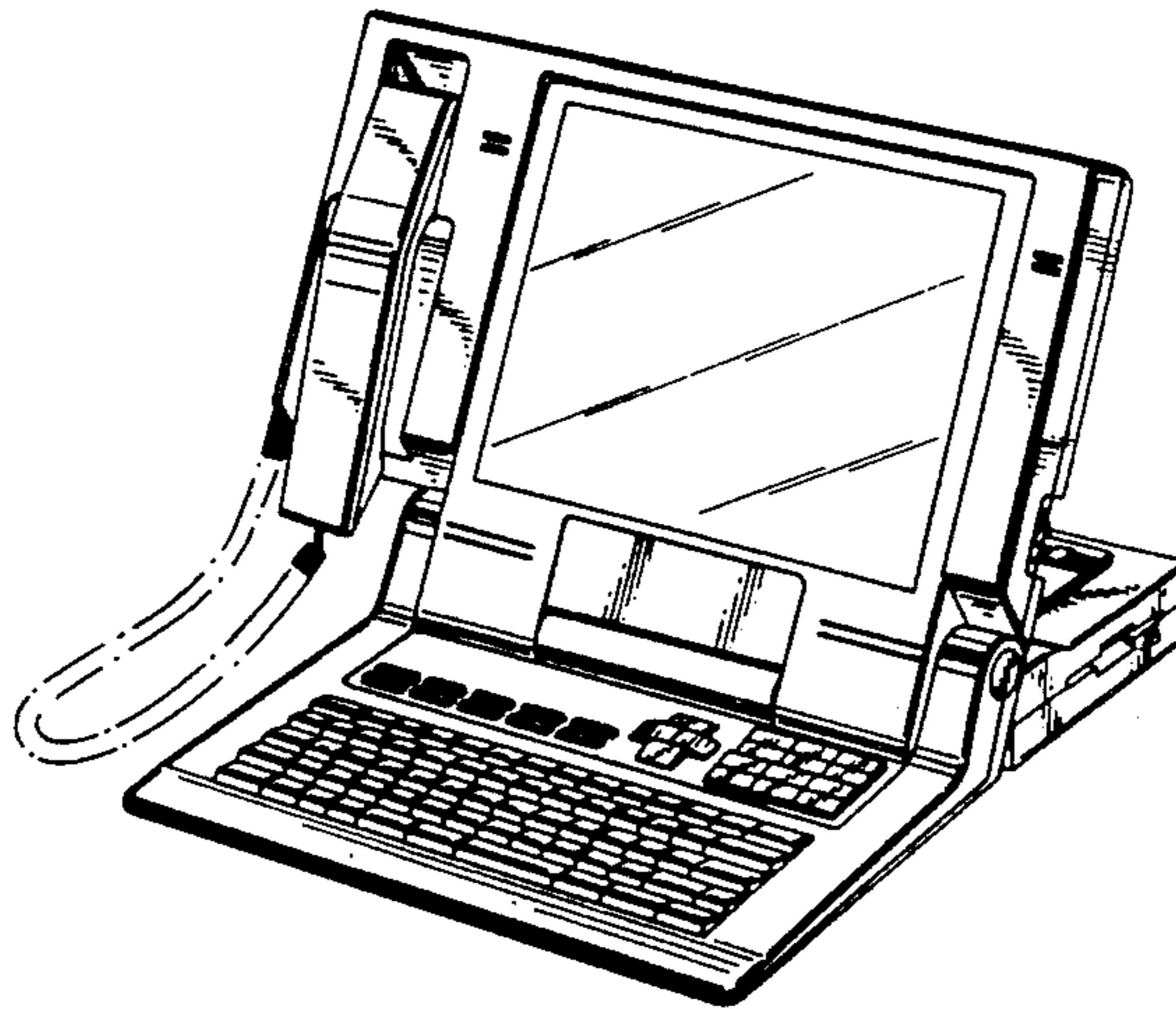


FIG. 1

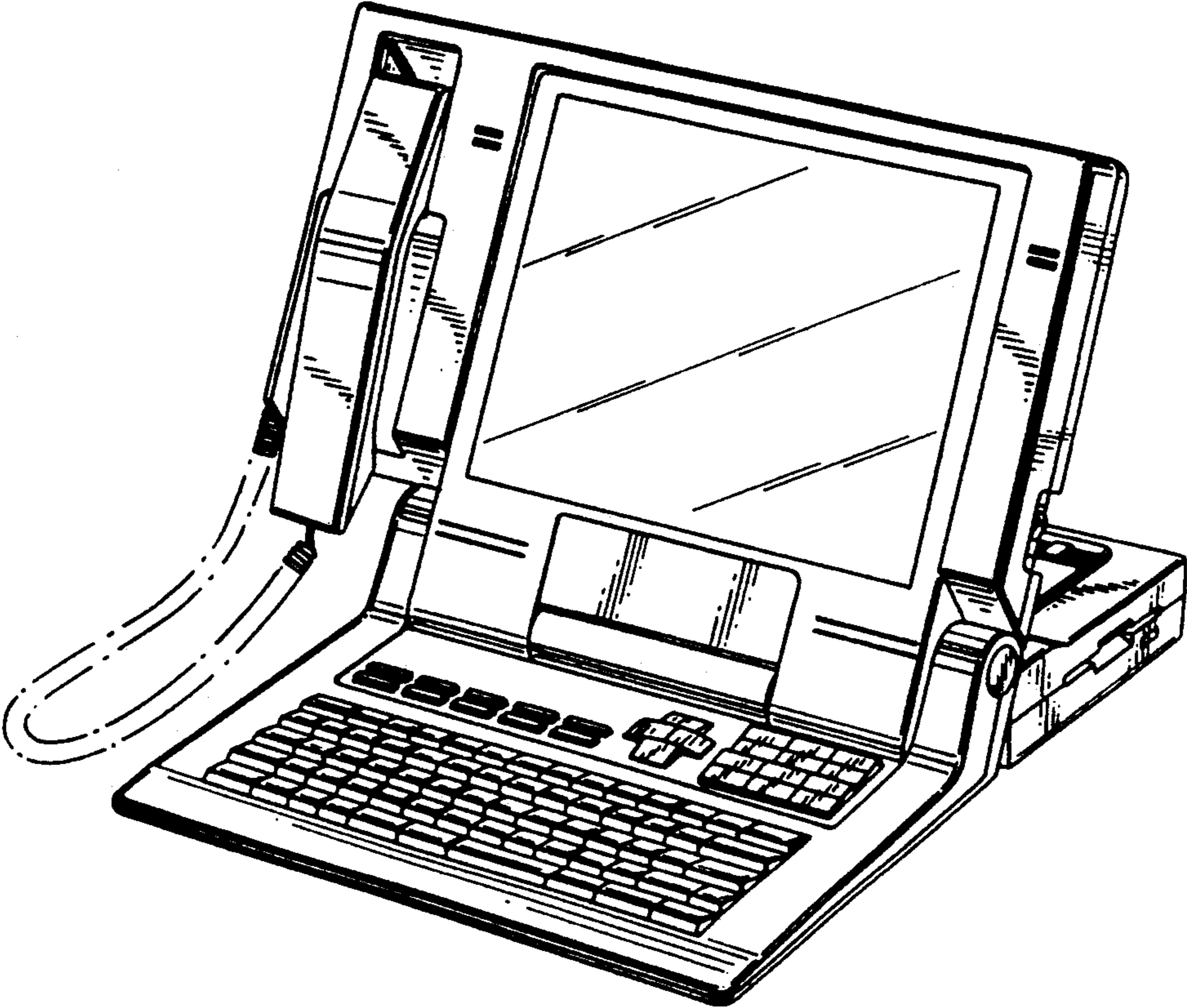


FIG. 2

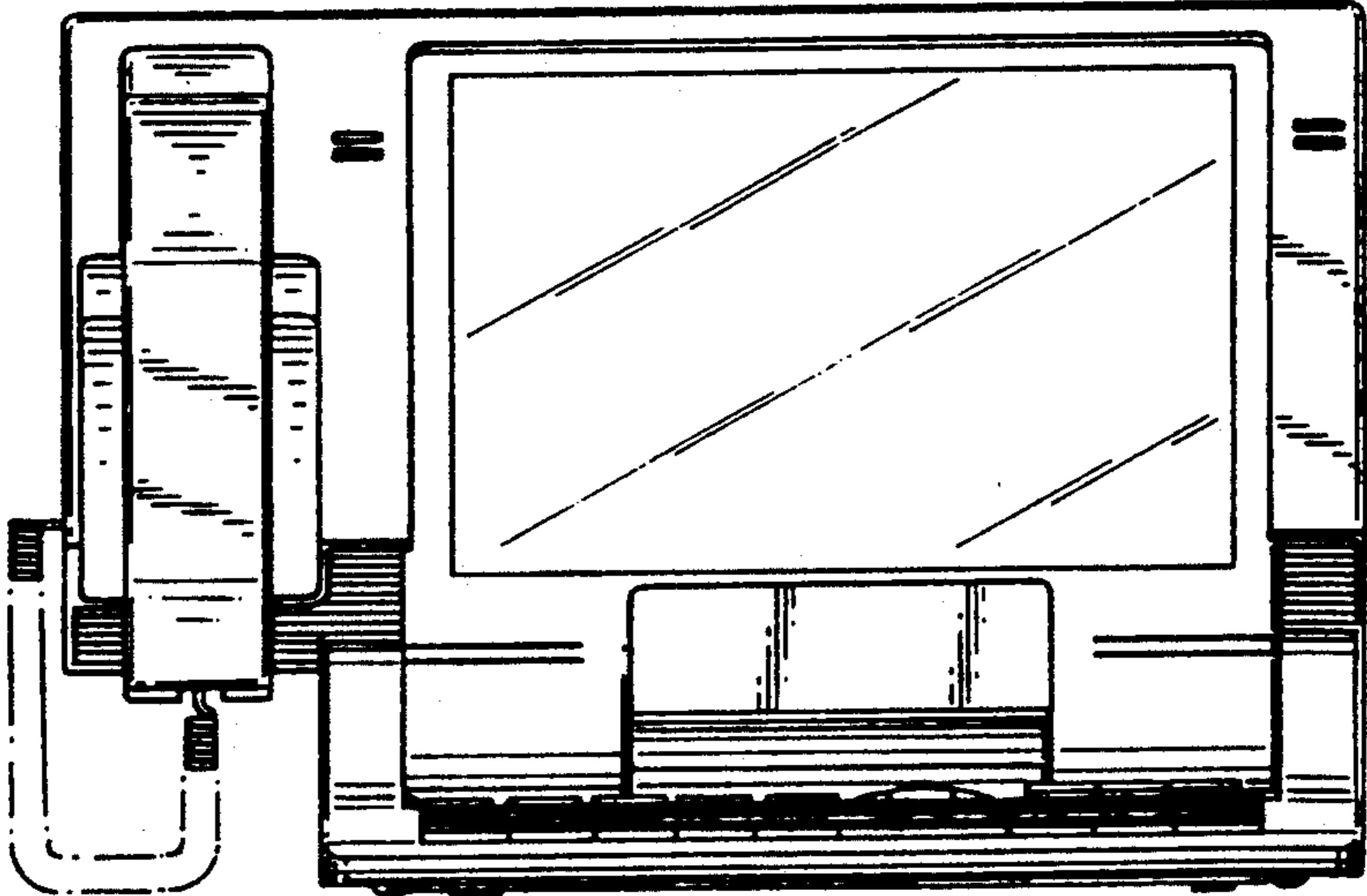


FIG.3

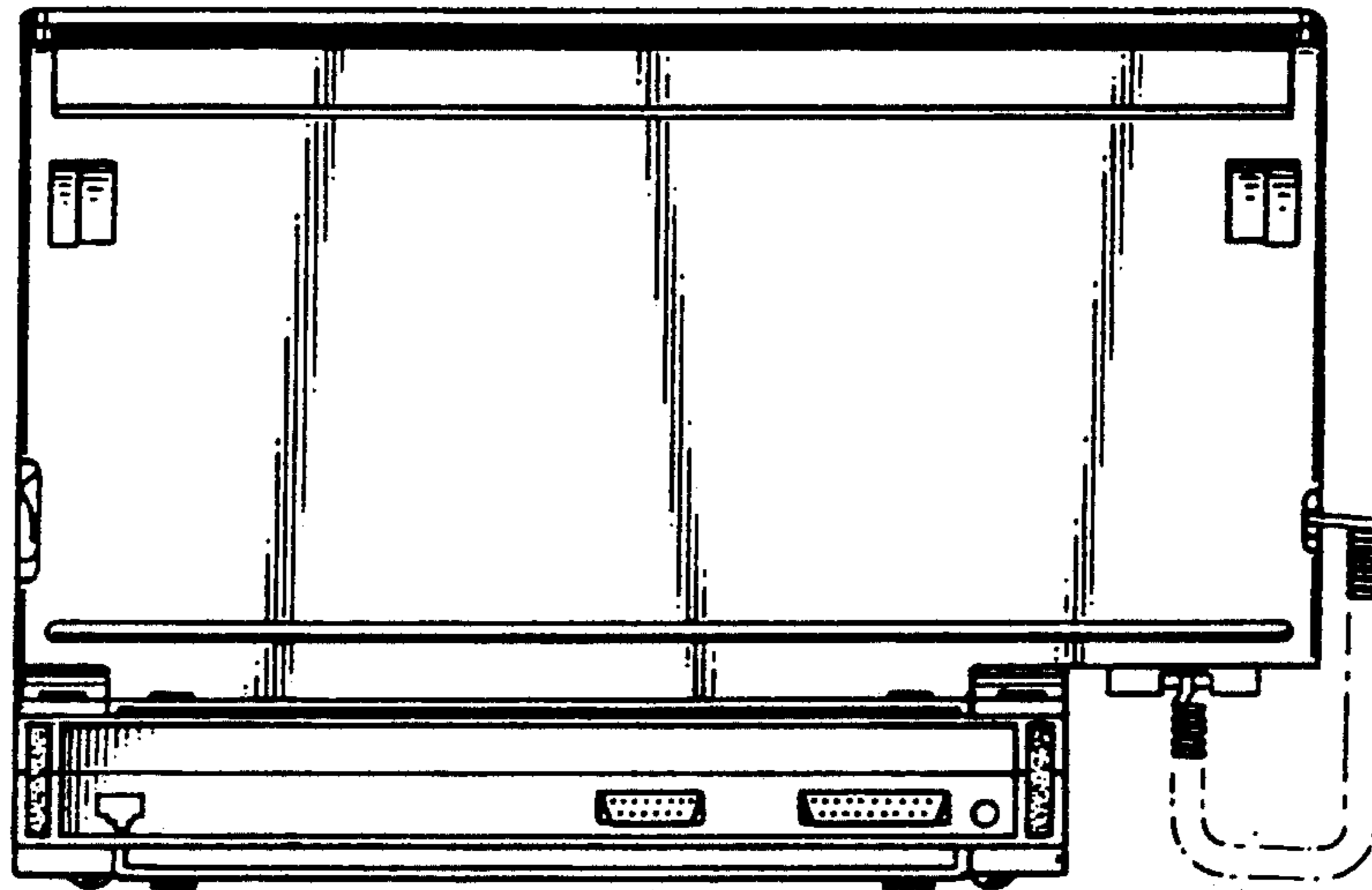


FIG.4

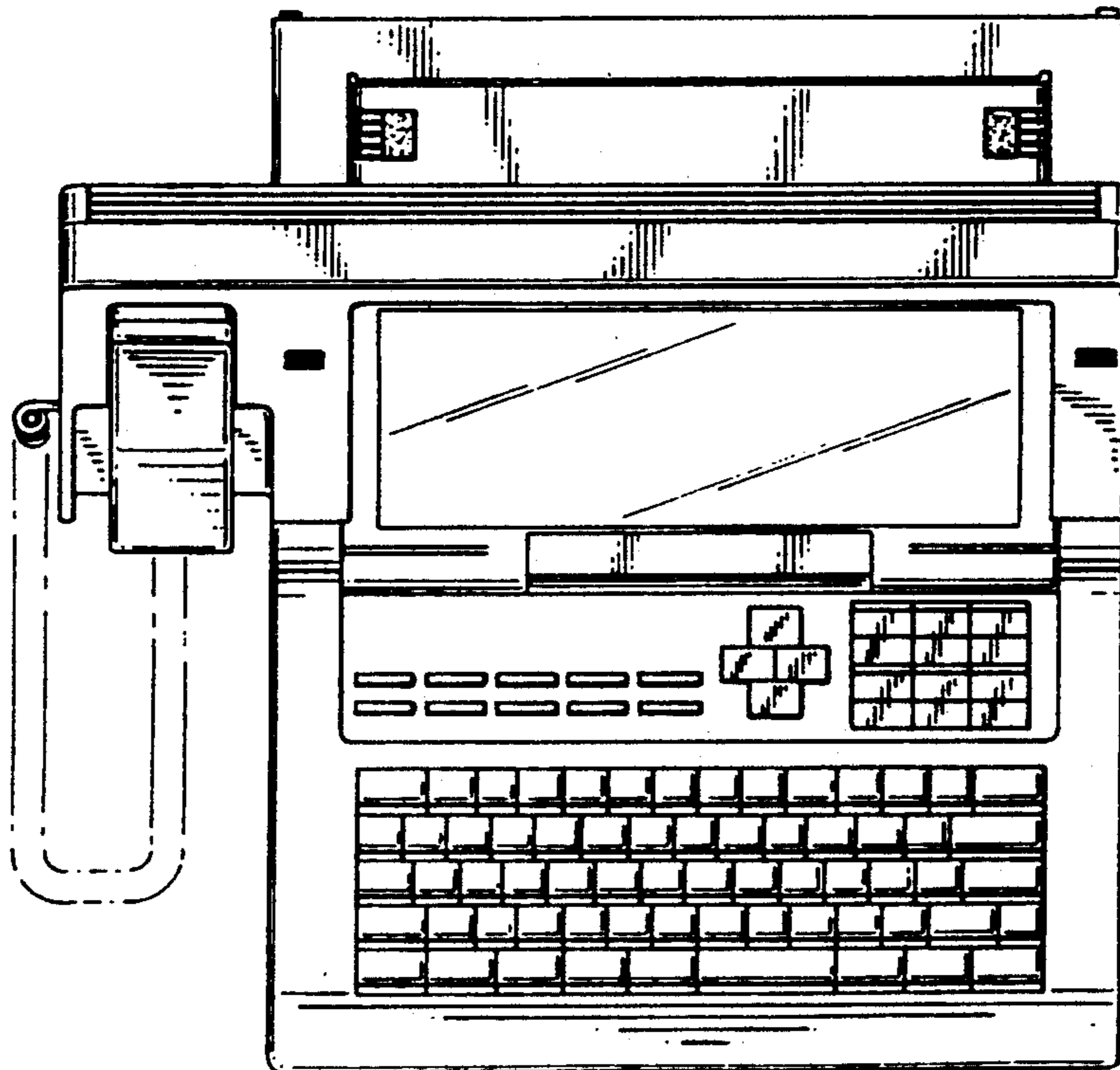


FIG.5

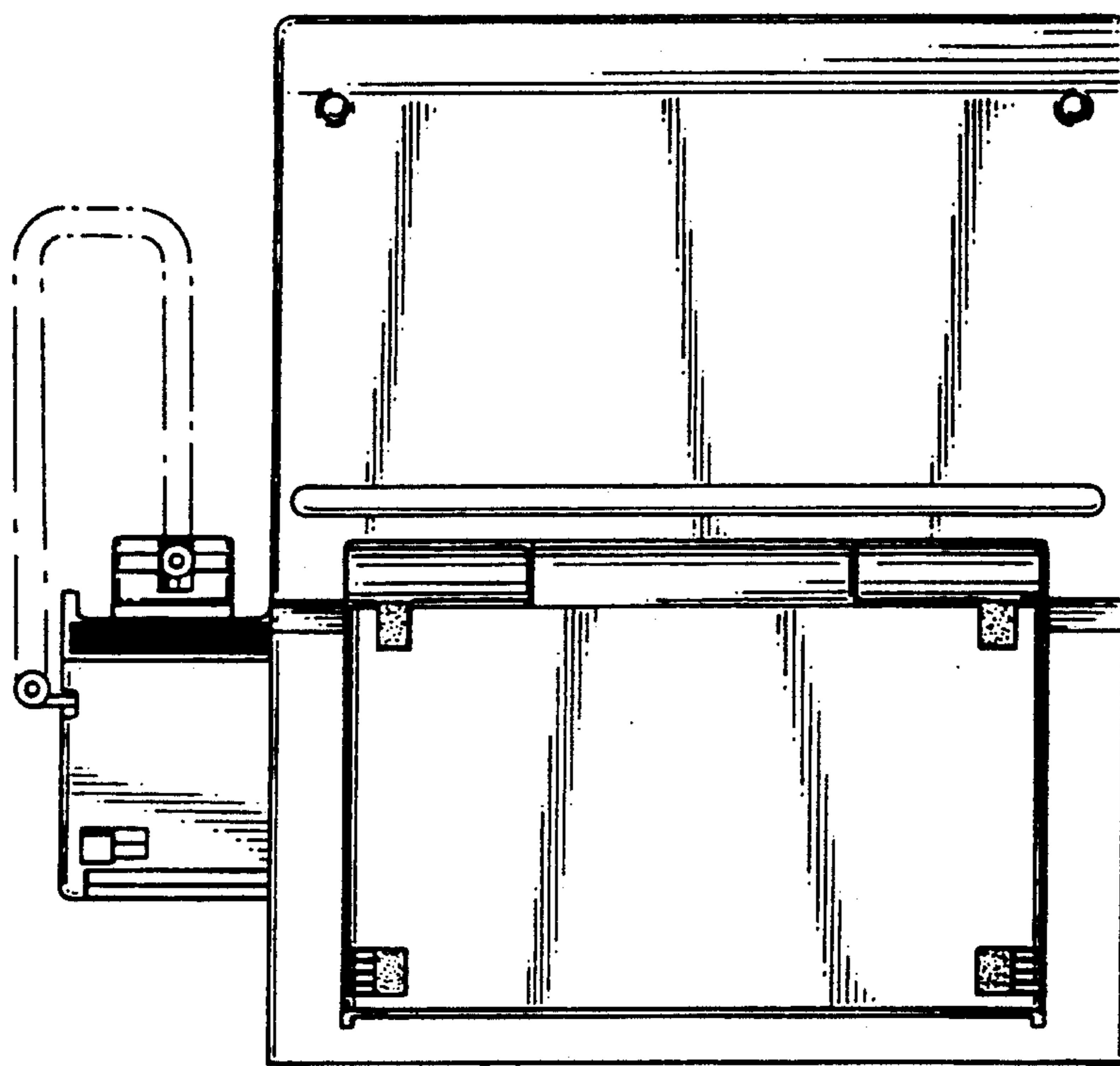


FIG.6

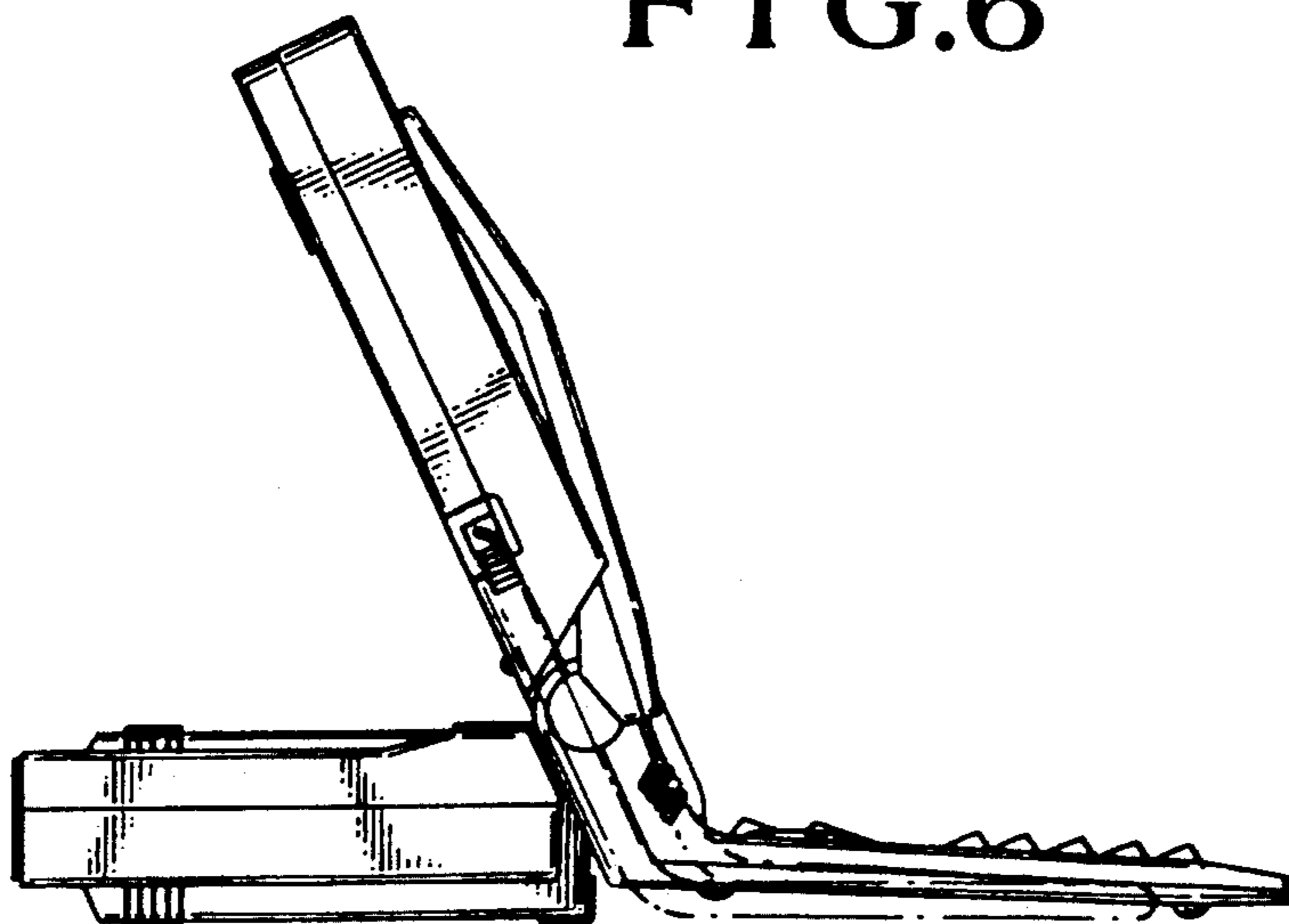


FIG. 7

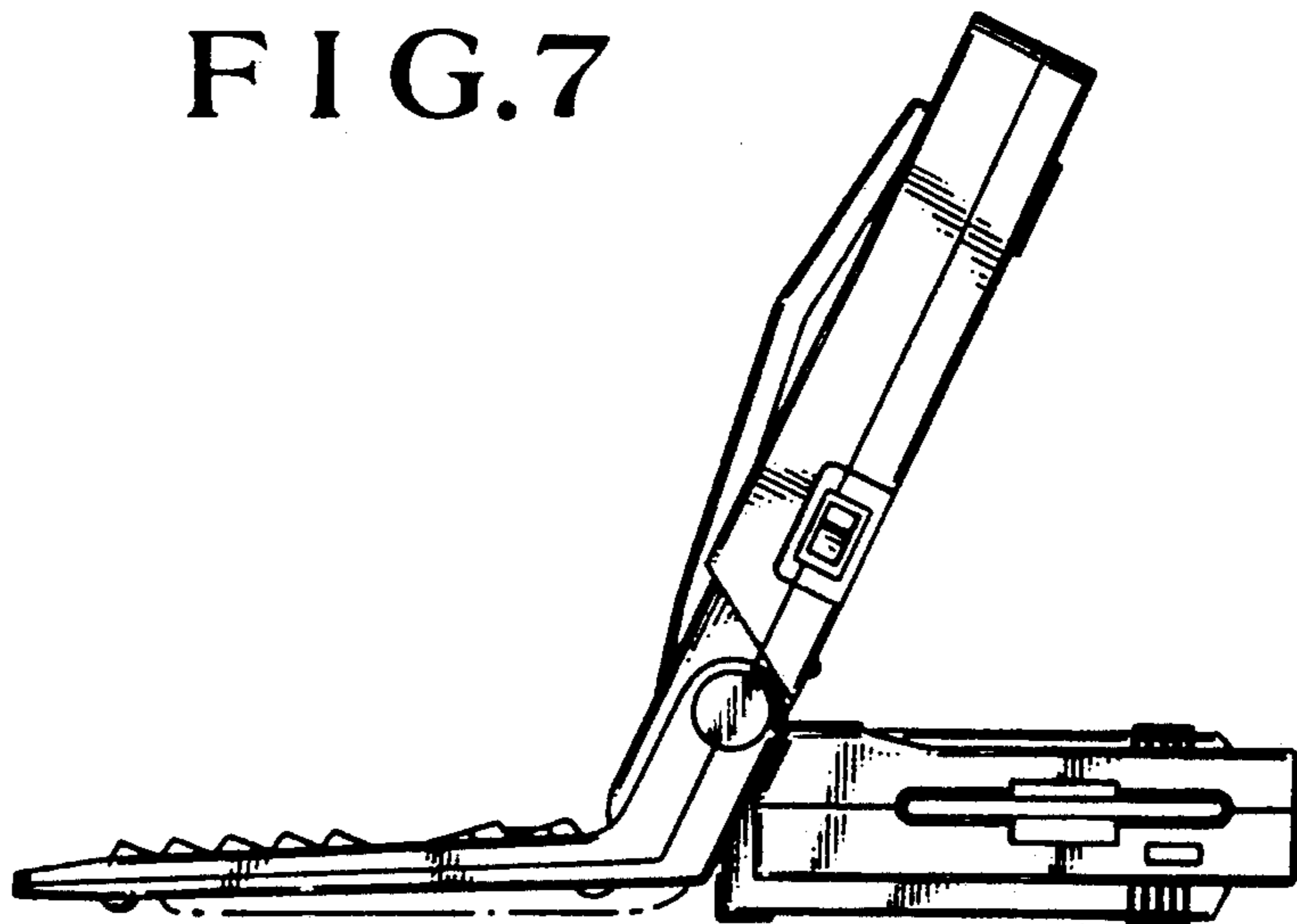


FIG. 8

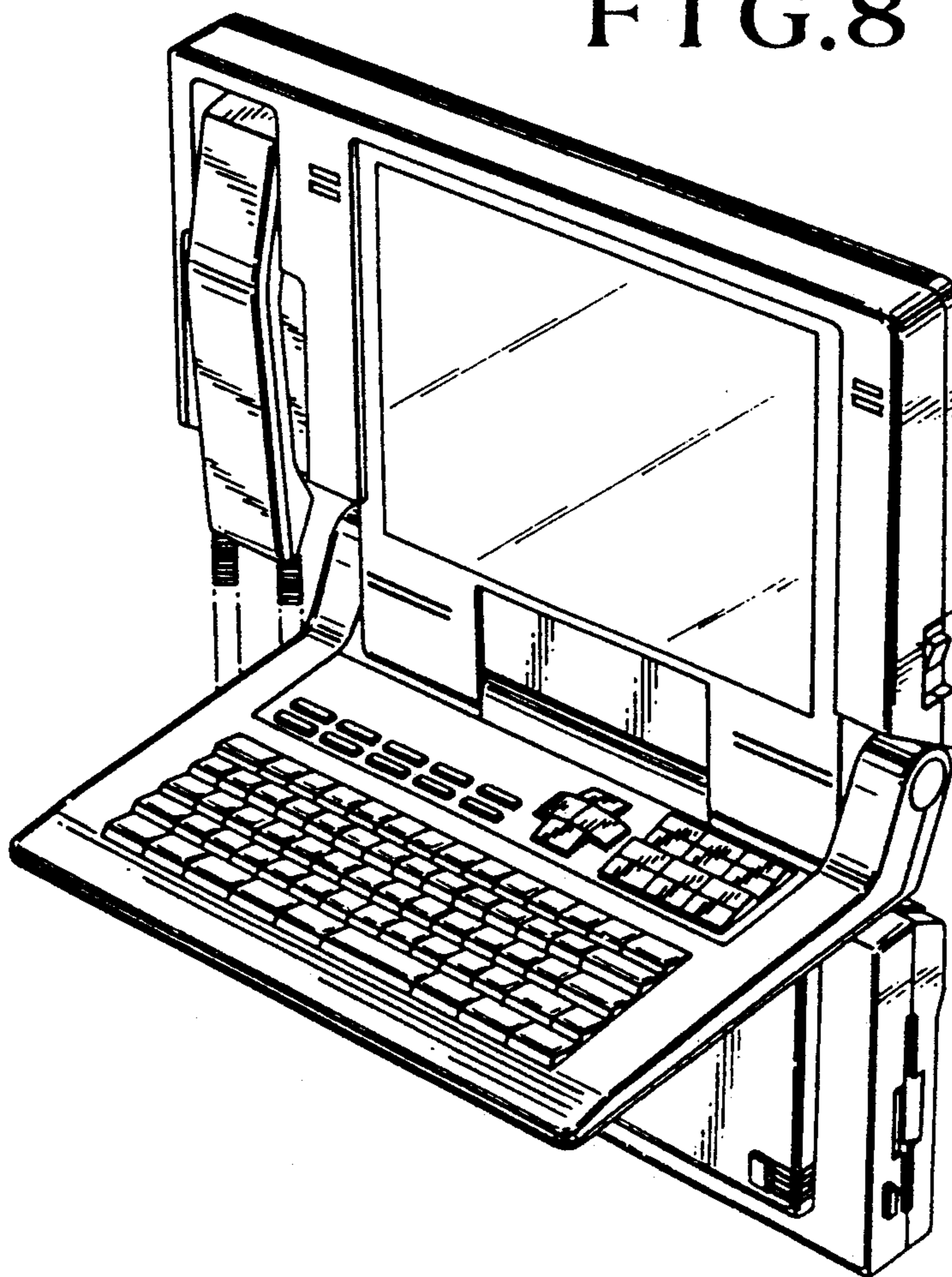


FIG. 9

