



US00D324035S

United States Patent [19]

[11] Patent Number: **Des. 324,035**

Izaki

[45] Date of Patent: **** Feb. 18, 1992**

[54] **ELECTRONIC COMPUTER**

D. 309,749 8/1990 Ido D18/7
4,703,160 10/1987 Narishima et al. 364/708 X

[75] Inventor: **Kenzo Izaki, Chiba, Japan**

FOREIGN PATENT DOCUMENTS

[73] Assignee: **Kabushiki Kaisha Toshiba, Kanagawa, Japan**

686654 9/1986 Japan .
747991 11/1988 Japan .

[**] Term: **14 Years**

Primary Examiner—Wallace R. Burke
Assistant Examiner—Freda S. Nunn
Attorney, Agent, or Firm—Banner, Birch, McKie & Beckett

[21] Appl. No.: **446,711**

[22] Filed: **Dec. 6, 1989**

[57] CLAIM

[30] Foreign Application Priority Data

Jun. 6, 1989 [JP] Japan 1-20669

The ornamental design for an electronic computer, as shown and described.

[52] U.S. Cl. **D14/100**

[58] Field of Search D14/100, 101, 106, 115;
D18/1, 7, 11, 12; 235/145 A, 145 R; 340/700,
706, 711, 712; 341/22, 23, 26; 358/248, 249,
254; 364/706-710.14; 323/208

DESCRIPTION

[56] References Cited

U.S. PATENT DOCUMENTS

D. 243,250 2/1977 Hazama 364/708 X
D. 284,966 8/1986 Larkins D14/100
D. 290,609 6/1987 Harlan et al. D18/7 X
D. 298,623 11/1988 Yubisui et al. D14/100
D. 304,930 12/1989 Hongo et al. D14/100

FIG. 1 is a top, front and right side perspective view of an electronic computer showing my new design;
FIG. 2 is a front elevational view thereof;
FIG. 3 is a rear elevational view thereof;
FIG. 4 is a right side elevational view thereof;
FIG. 5 is a left side elevational view thereof;
FIG. 6 is an enlarged top plan view thereof;
FIG. 7 is an enlarged bottom plan view thereof;
FIG. 8 is a top, front and right side perspective view thereof showing the display panel and keyboard in closed position.

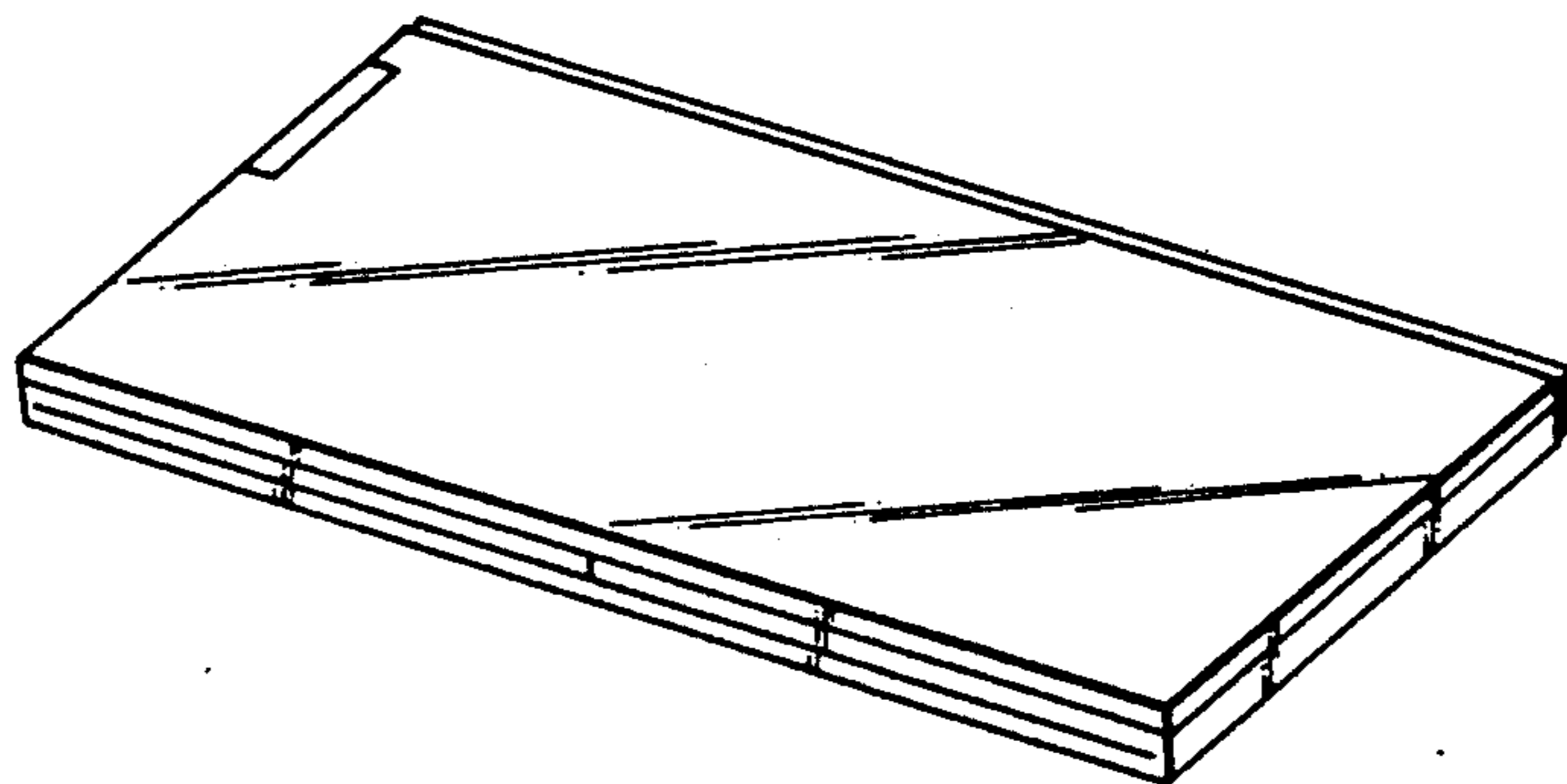
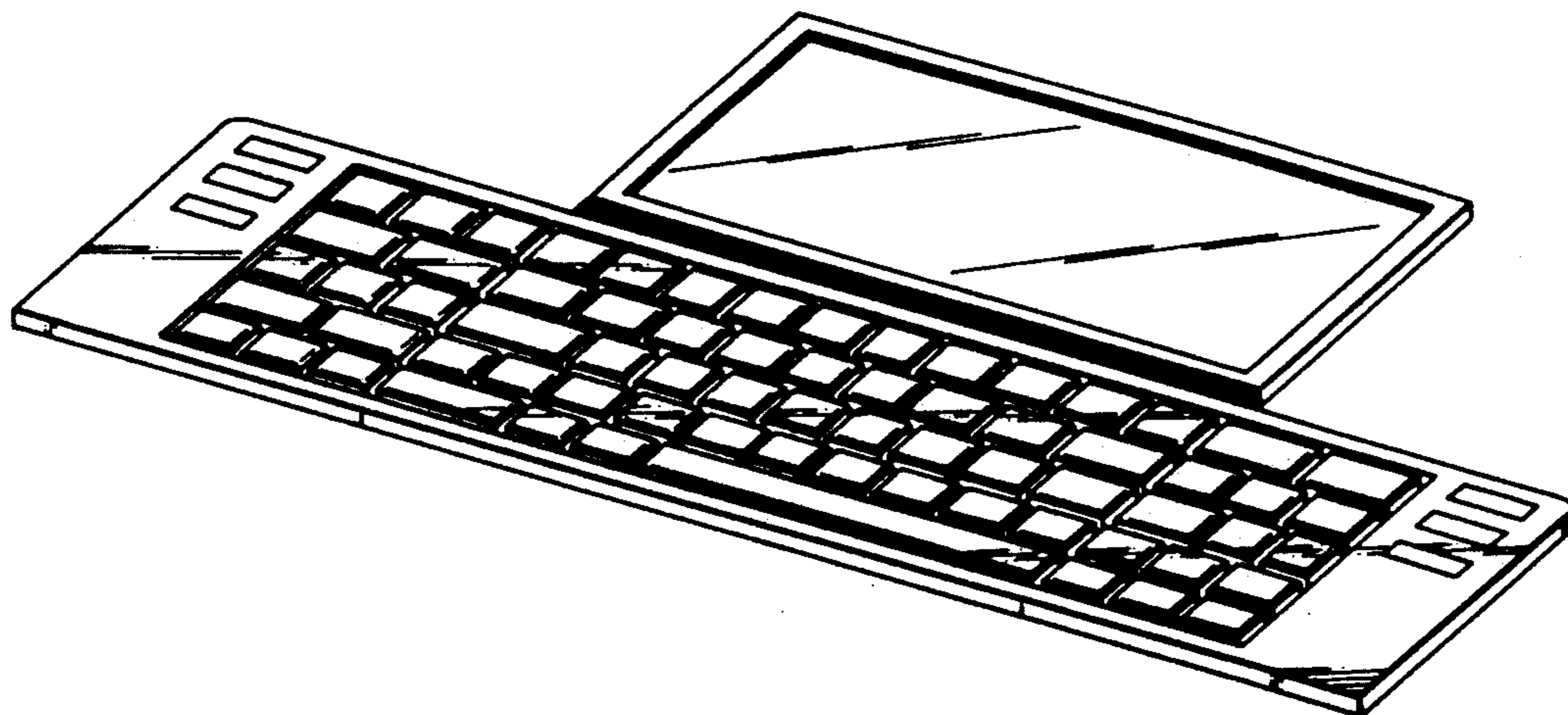


FIG. 1

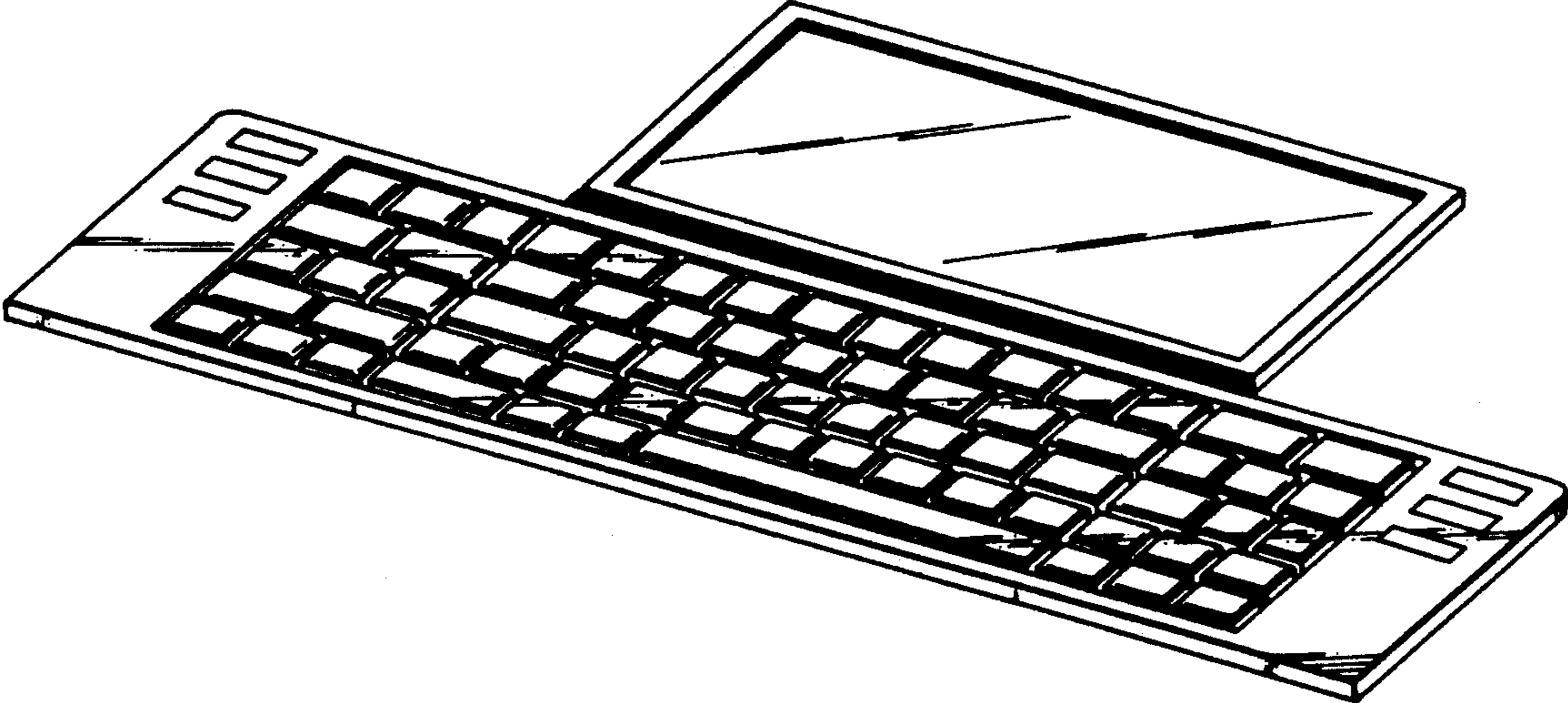


FIG. 2



FIG. 3



FIG.4



FIG.5



FIG.8

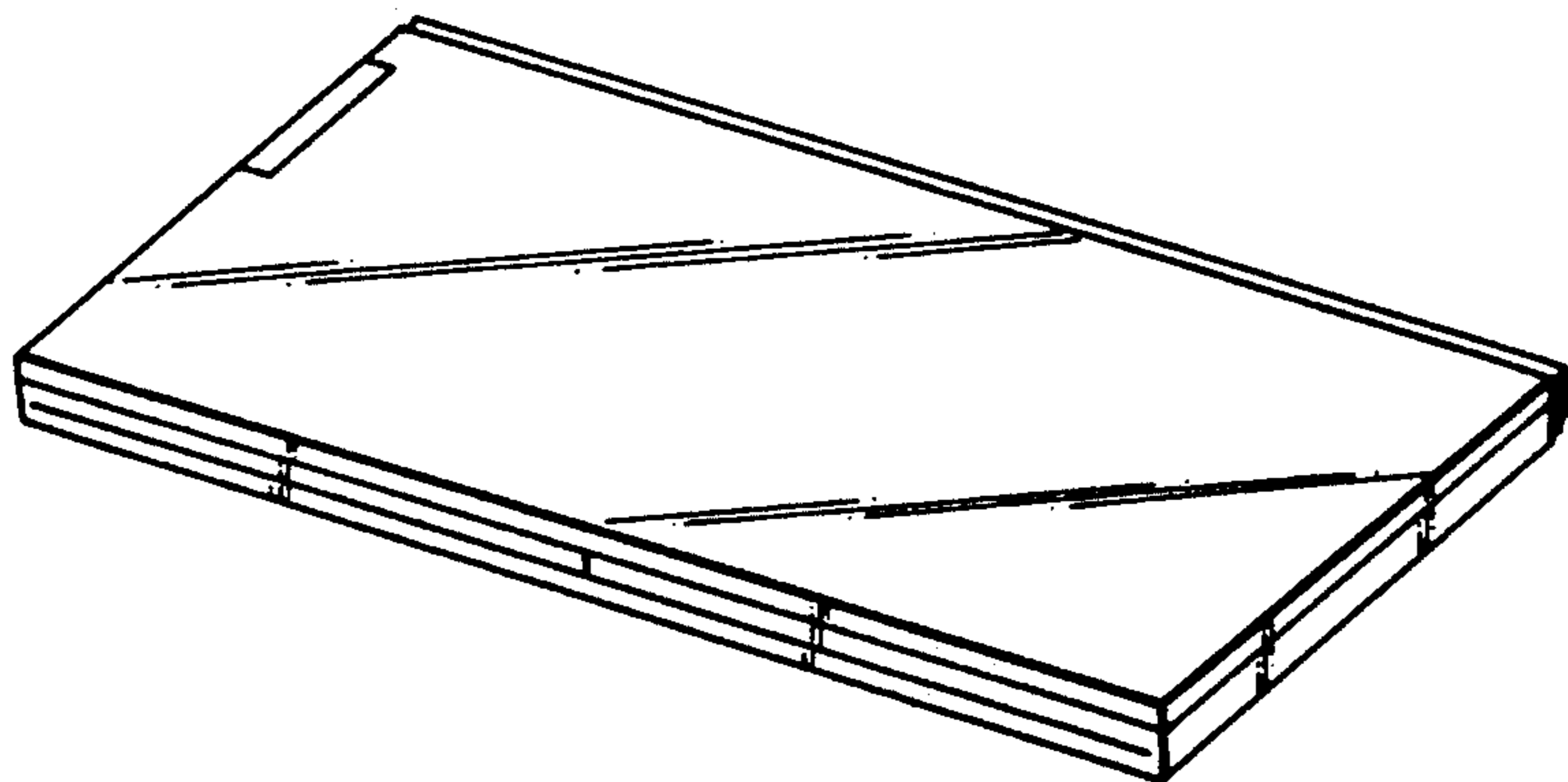


FIG.6

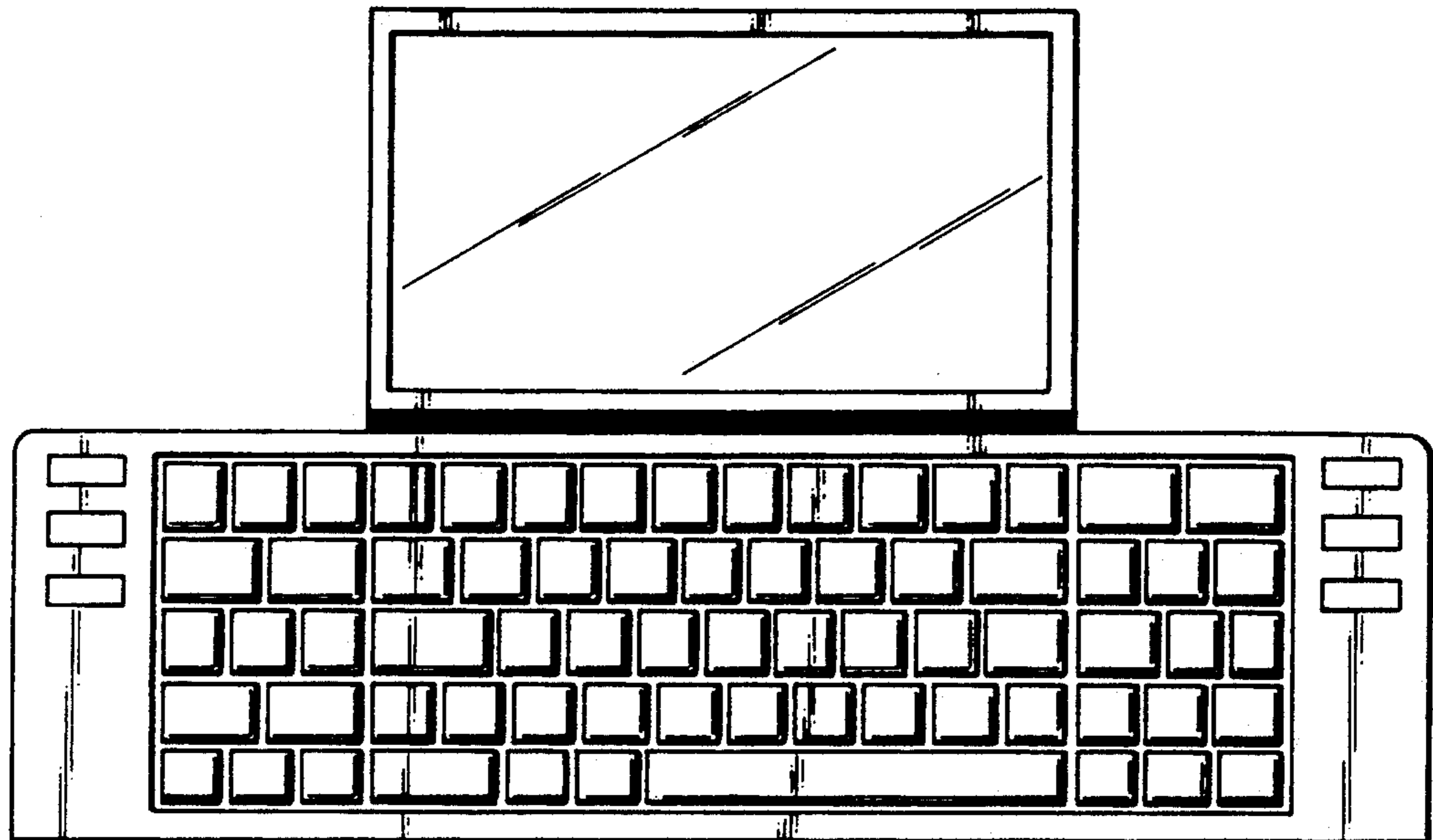


FIG.7

