



US00D324034S

United States Patent [19]

[11] Patent Number: **Des. 324,034**

Williams

[45] Date of Patent: **** Feb. 18, 1992**

[54] **COMBINED PROTECTIVE TUBING AND ANCHOR FOR A PAYPHONE HANDSET CABLE**

[75] Inventor: **John K. Williams, Ipswich, England**

[73] Assignee: **British Telecommunications public limited company, United Kingdom**

[**] Term: **14 Years**

[21] Appl. No.: **507,055**

[22] Filed: **Apr. 9, 1990**

[30] **Foreign Application Priority Data**

Oct. 11, 1989 [GB] United Kingdom 2001641

[52] U.S. Cl. **D13/156; D8/349**

[58] Field of Search 174/153 G, 153 R;
439/445, 485; D13/156; D8/349

[56] **References Cited**

U.S. PATENT DOCUMENTS

D. 300,603	4/1989	Hill et al.	D13/156 X
D. 301,333	5/1989	Bongard et al.	D13/156
3,720,904	3/1973	De Sio	439/296 X
4,857,674	8/1989	Filbert	174/153 G X

OTHER PUBLICATIONS

Elastimold, 11-20-86, p. 4, Power Cable Elbows, located at right hand side of page.

Primary Examiner—Wallace R. Burke

Assistant Examiner—H. Baynham

Attorney, Agent, or Firm—Nixon & Vanderhye

[57] **CLAIM**

The ornamental design for a combined protective tubing and anchor for a payphone handset cable, as shown and described.

DESCRIPTION

FIG. 1 is a front elevational view of a combined protective tubing and anchor for a payphone handset cable showing my new design;

FIG. 2 is a rear elevational view thereof;

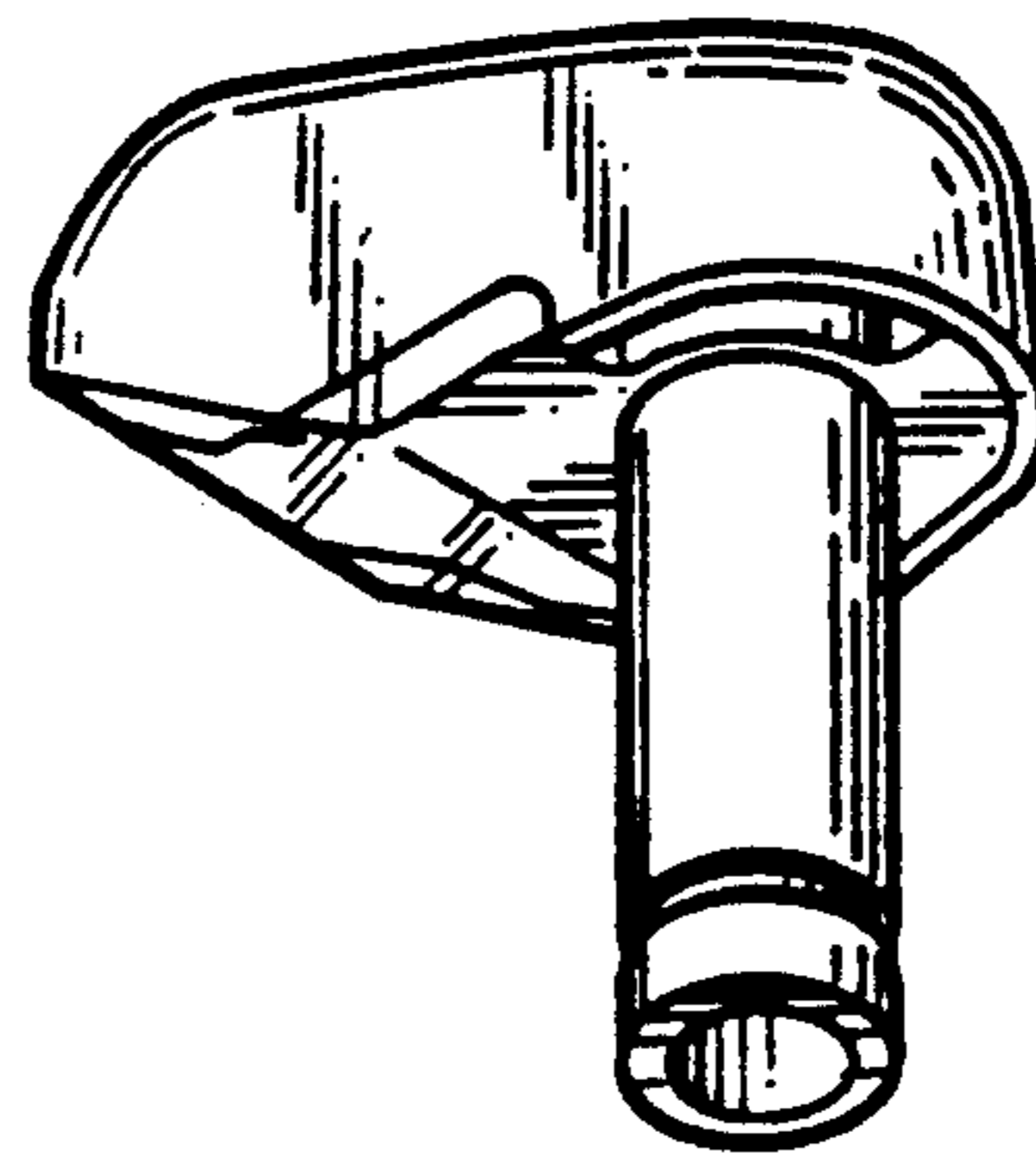
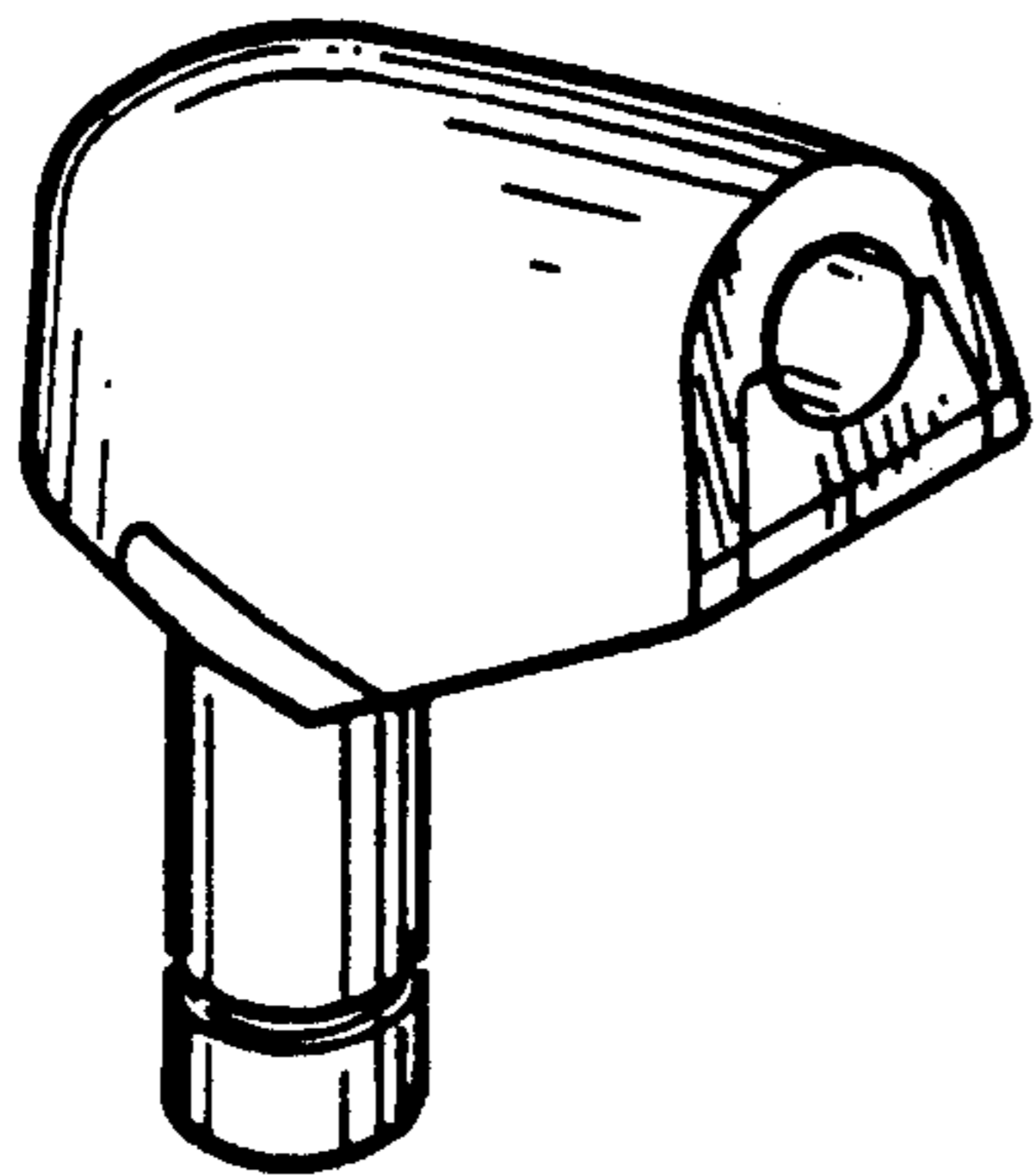
FIG. 3 is a top plan view thereof;

FIG. 4 is a bottom plan view thereof;

FIG. 5 is a right side elevational view thereof with the left side being a mirror-image;

FIG. 6 is a front, top and left side perspective view thereof; and

FIG. 7 is a bottom, rear and right side perspective view thereof.



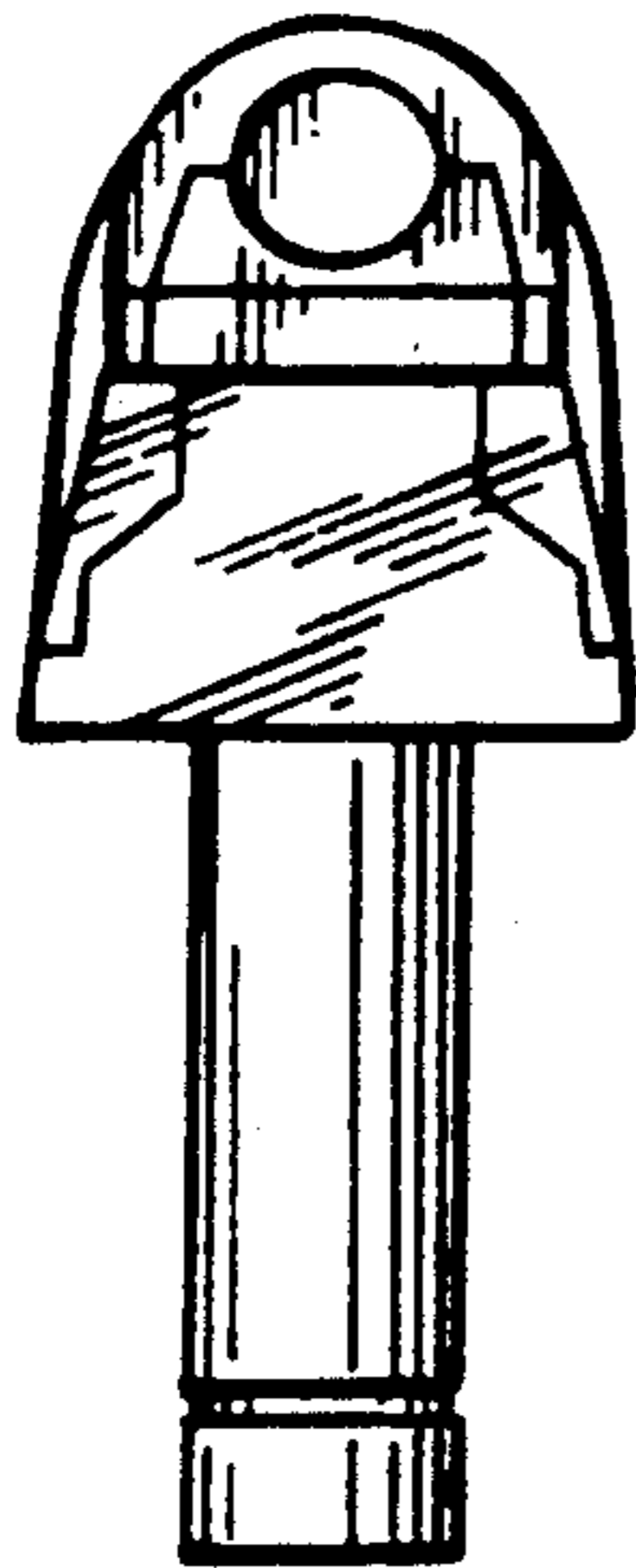


Fig. 1

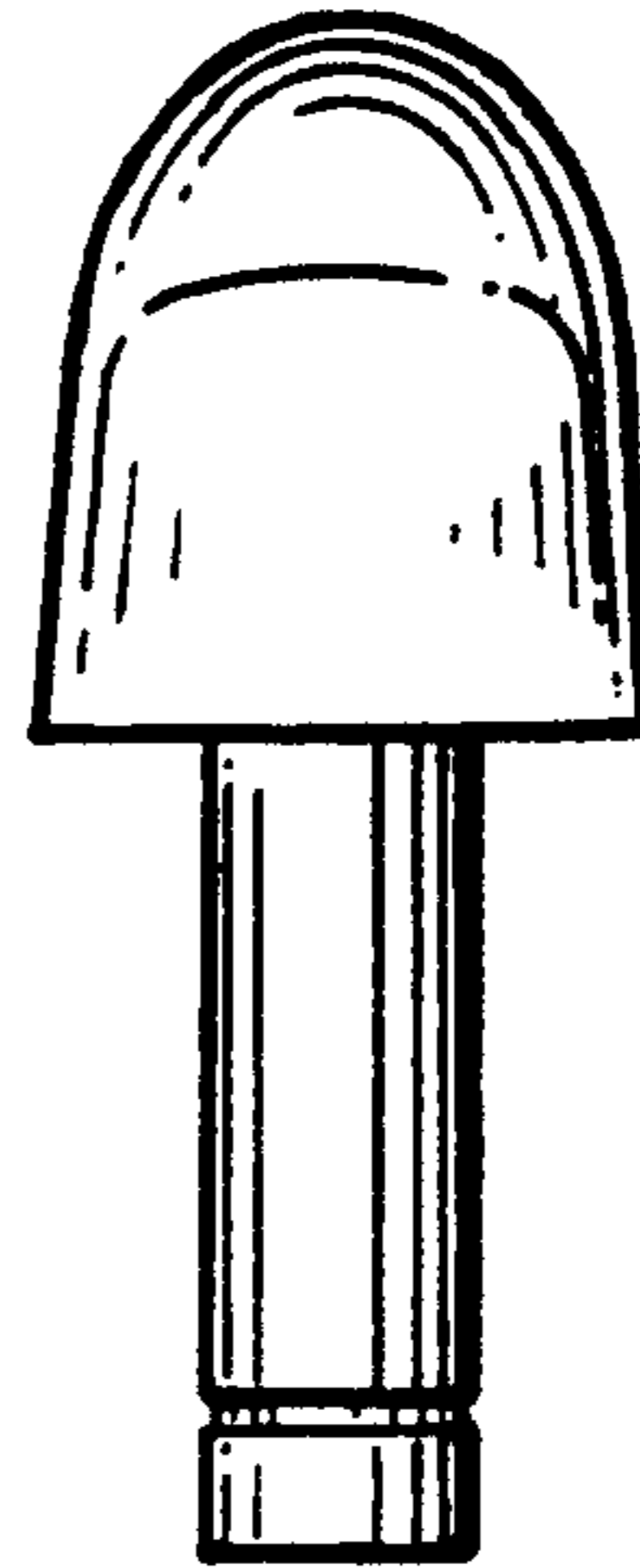


Fig. 2

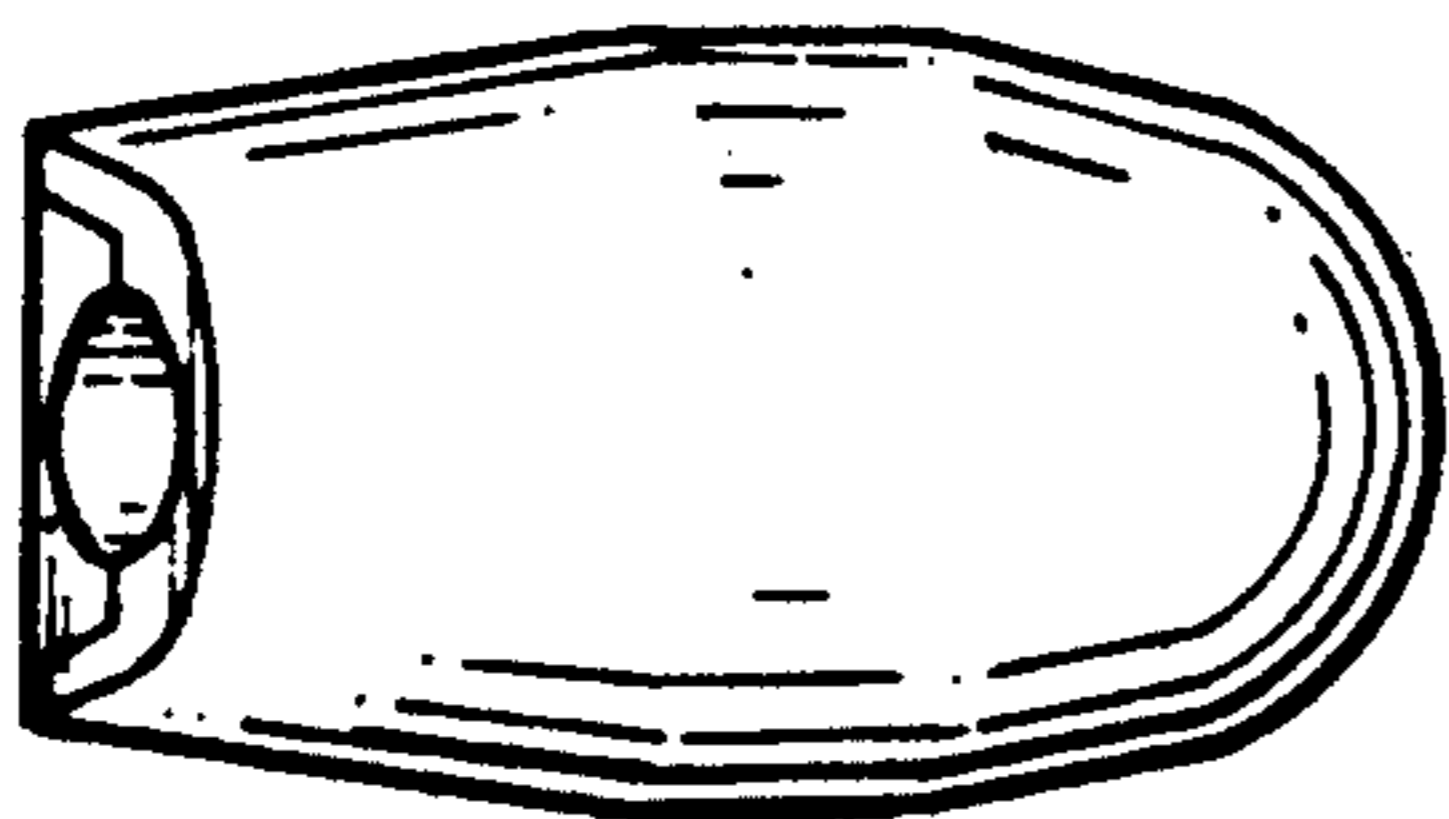


Fig. 3

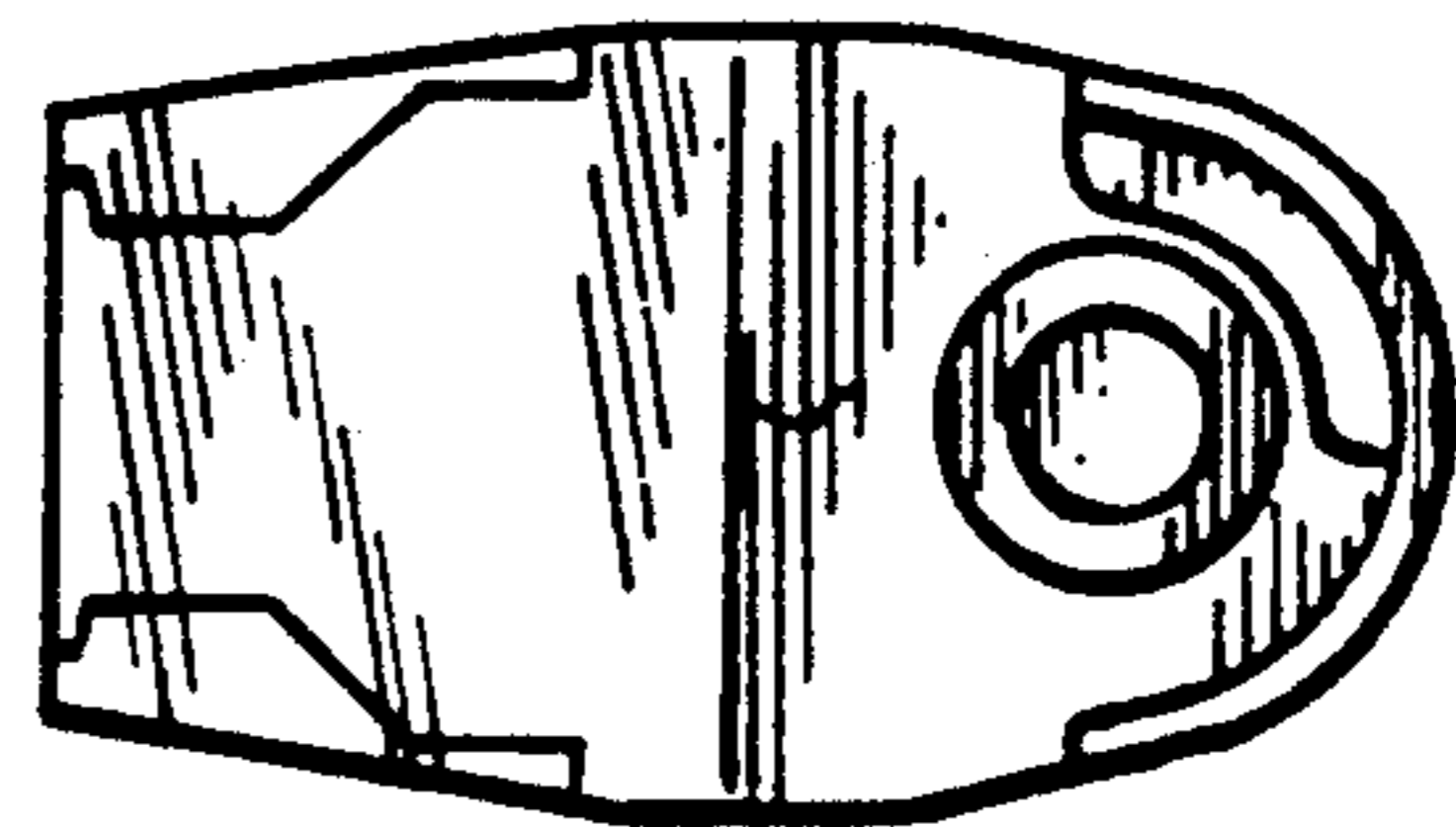


Fig. 4

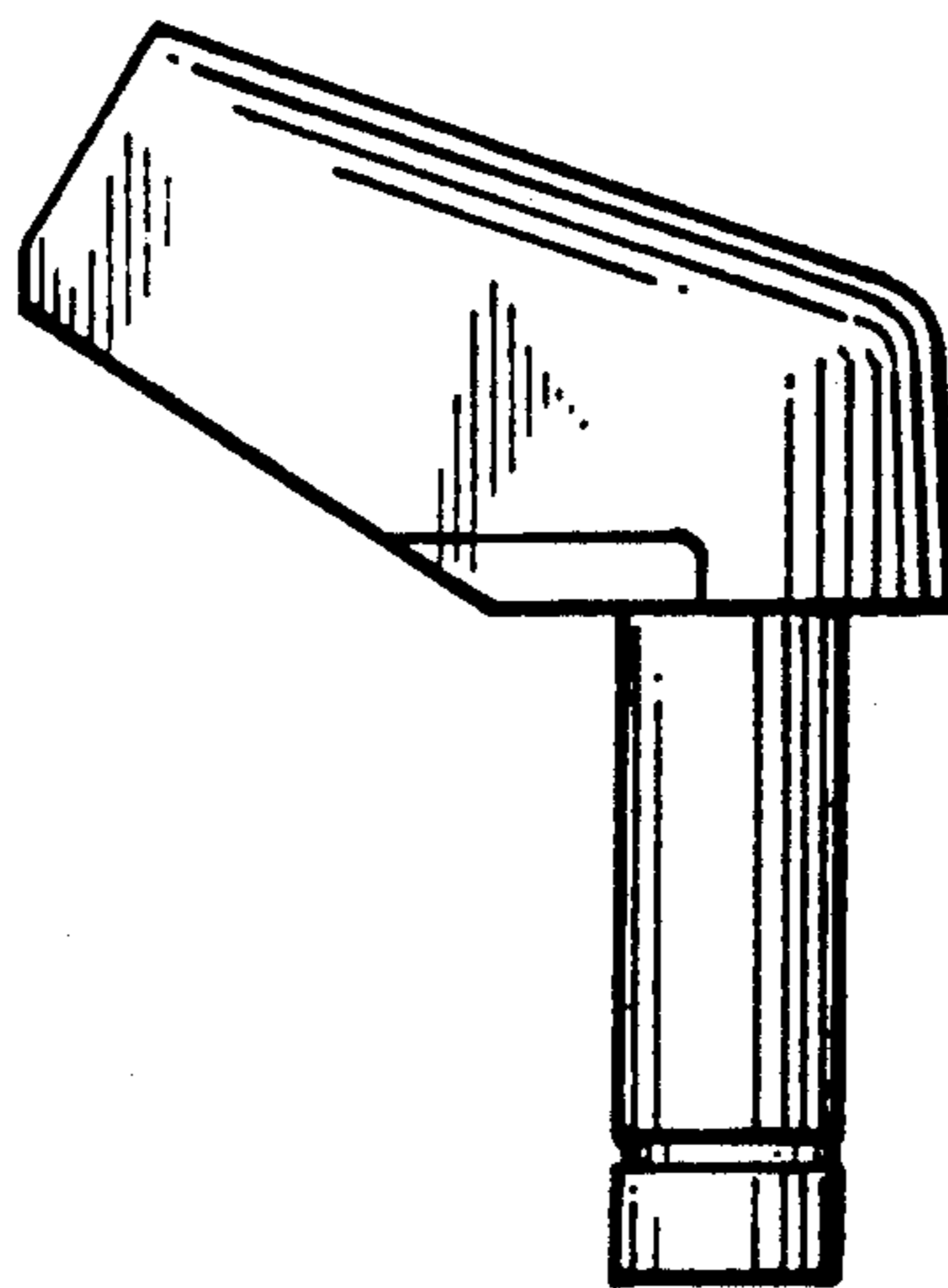


Fig. 5

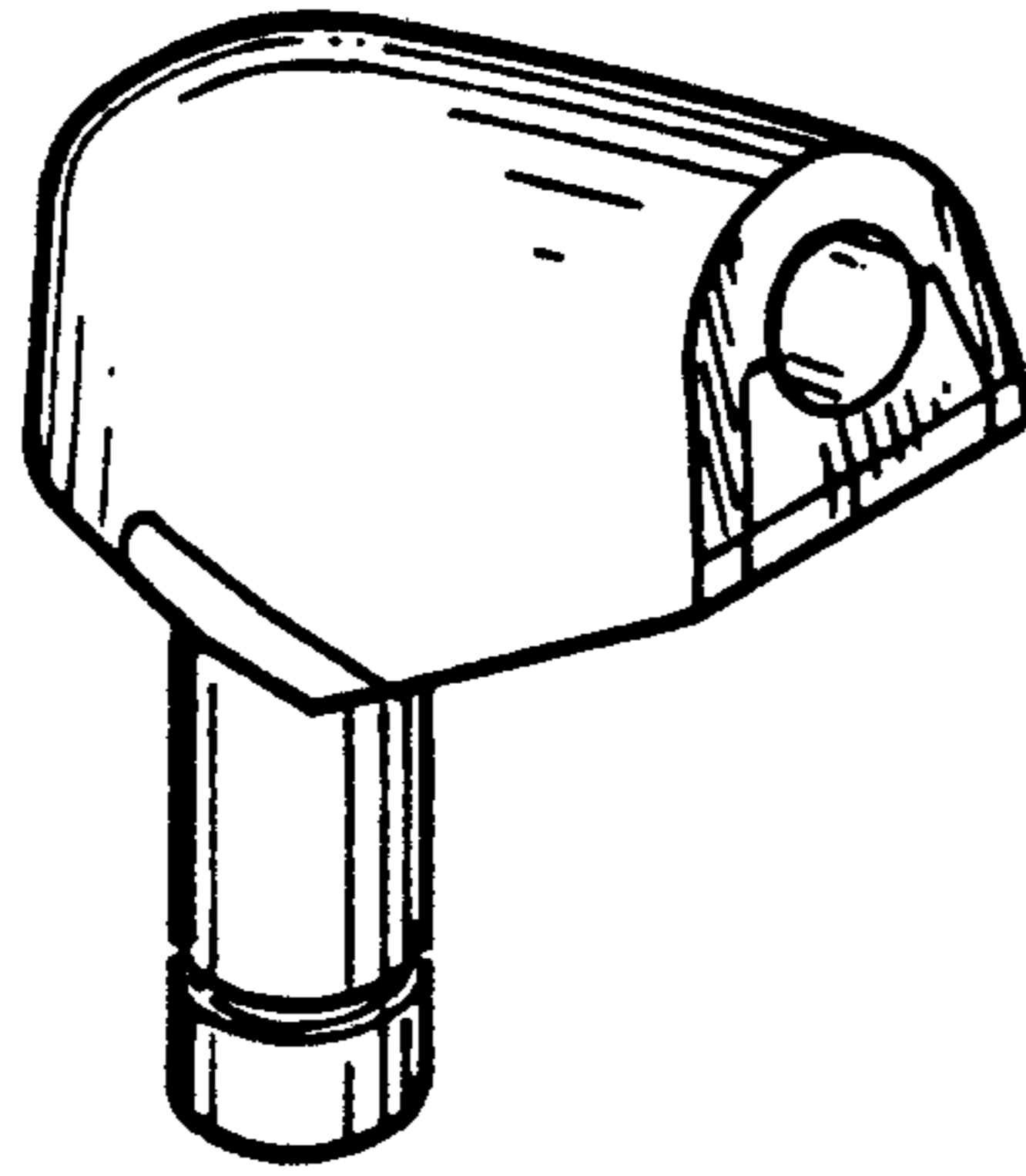


Fig. 6

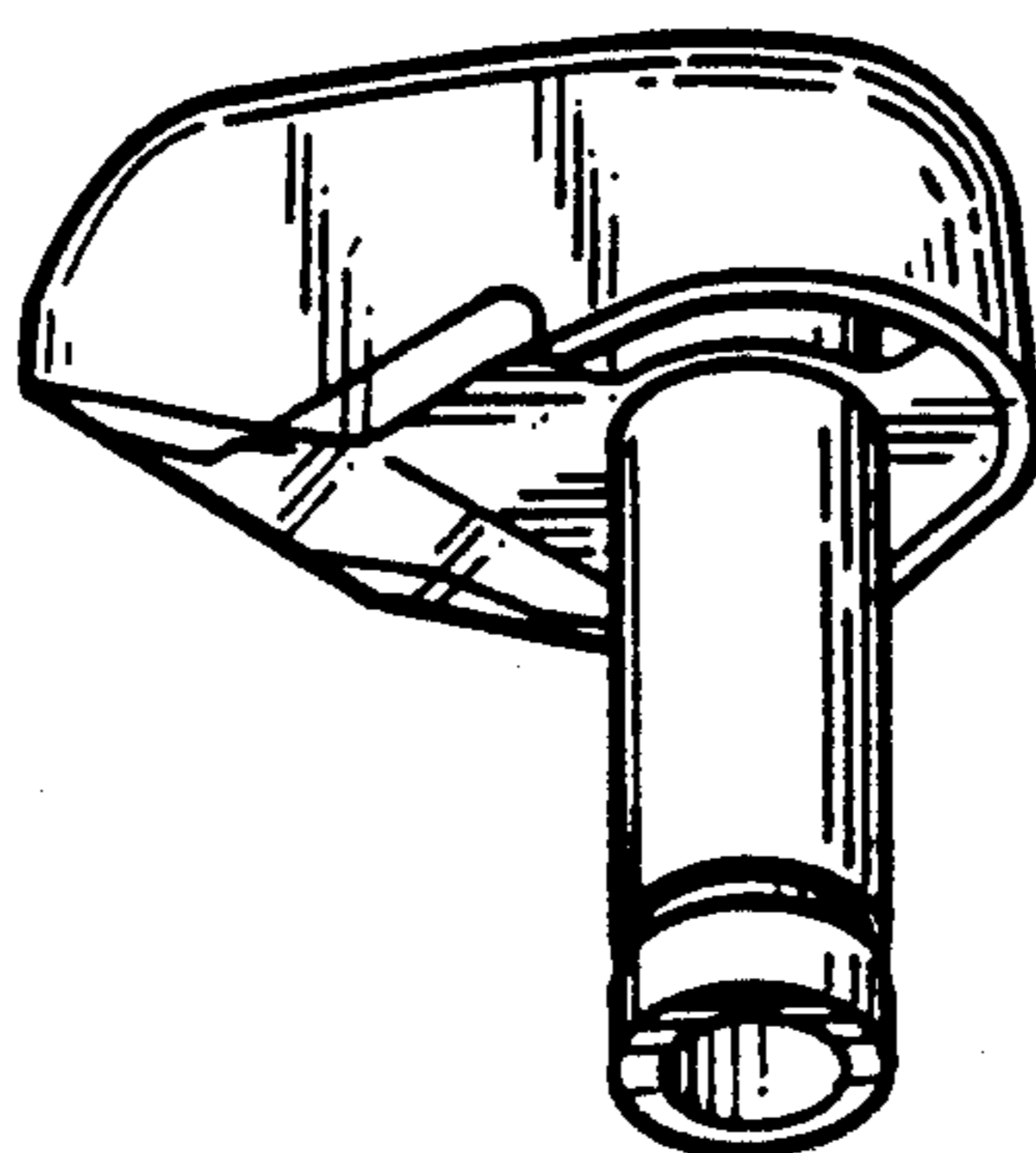


Fig. 7