



US00D324032S

# United States Patent [19]

Sueyoshi et al.

[11] Patent Number: **Des. 324,032**

[45] Date of Patent: **\*\* Feb. 18, 1992**

[54] **ELECTRICAL CONNECTOR HOUSING**

[75] Inventors: **Tadahiro Sueyoshi; Masanori Tsuji; Yoshihiro Murakami; Takayuki Yamamoto; Masaru Fukuda**, all of Shizuoka; **Hidetaka Okabe**, Toyota; **Yasuhiro Nagasaka**, Toyota; **Yasuo Hirayama**, Toyota, all of Japan

[73] Assignees: **Yazaki Corporation**, Tokyo; **Toyota Jidosha Kabushiki Kaisha**, Toyota, both of Japan

[\*\*] Term: **14 Years**

[21] Appl. No.: **470,560**

[22] Filed: **Jan. 26, 1990**

[30] **Foreign Application Priority Data**

Jul. 31, 1989 [JP] Japan ..... 1-28080

[52] U.S. Cl. .... **D13/147**

[58] Field of Search ..... **D13/133, 146, 147; 439/248, 345, 350, 352, 353, 358, 544, 586, 587, 595, 596, 598, 600, 682, 752**

[56] **References Cited**

**U.S. PATENT DOCUMENTS**

- D. 310,994 10/1990 Yagi et al. .... D13/146
- D. 310,995 10/1990 Yamamoto ..... D13/147
- D. 311,518 10/1990 Kuzuno et al. .... D13/146
- 4,797,116 1/1989 Isohata et al. .... 439/595

4,867,699 9/1989 Oda et al. .... 439/350  
4,975,082 12/1990 Nagasaka et al. .... 439/598

*Primary Examiner*—Susan J. Lucas  
*Assistant Examiner*—J. Sincavage

[57] **CLAIM**

The ornamental design for an electrical connector housing, as shown and described.

**DESCRIPTION**

FIG. 1 is a top plan view of an electrical connector housing showing our new design;  
 FIG. 2 is a front elevational view thereof;  
 FIG. 3 is a bottom plan view thereof;  
 FIG. 4 is a left side elevational view thereof;  
 FIG. 5 is a right side elevational view thereof;  
 FIG. 6 is a rear elevational view thereof;  
 FIG. 7 is a cross-sectional view thereof taken along line 7—7 of FIG. 2;  
 FIG. 8 is a cross-sectional view thereof taken along line 8—8 of FIG. 2;  
 FIG. 9 is a cross-sectional view thereof taken along line 9—9 of FIG. 2;  
 FIG. 10 is a front and upper right perspective view thereof with the terminal retainer removed;  
 FIG. 11 is a cross-sectional view thereof taken along line 7—7 of FIG. 2 showing the housing in use. The broken line showing of the conductors, terminals and the corresponding housing is included for the purpose of illustrating environmental elements only and forms no part of the claimed design.

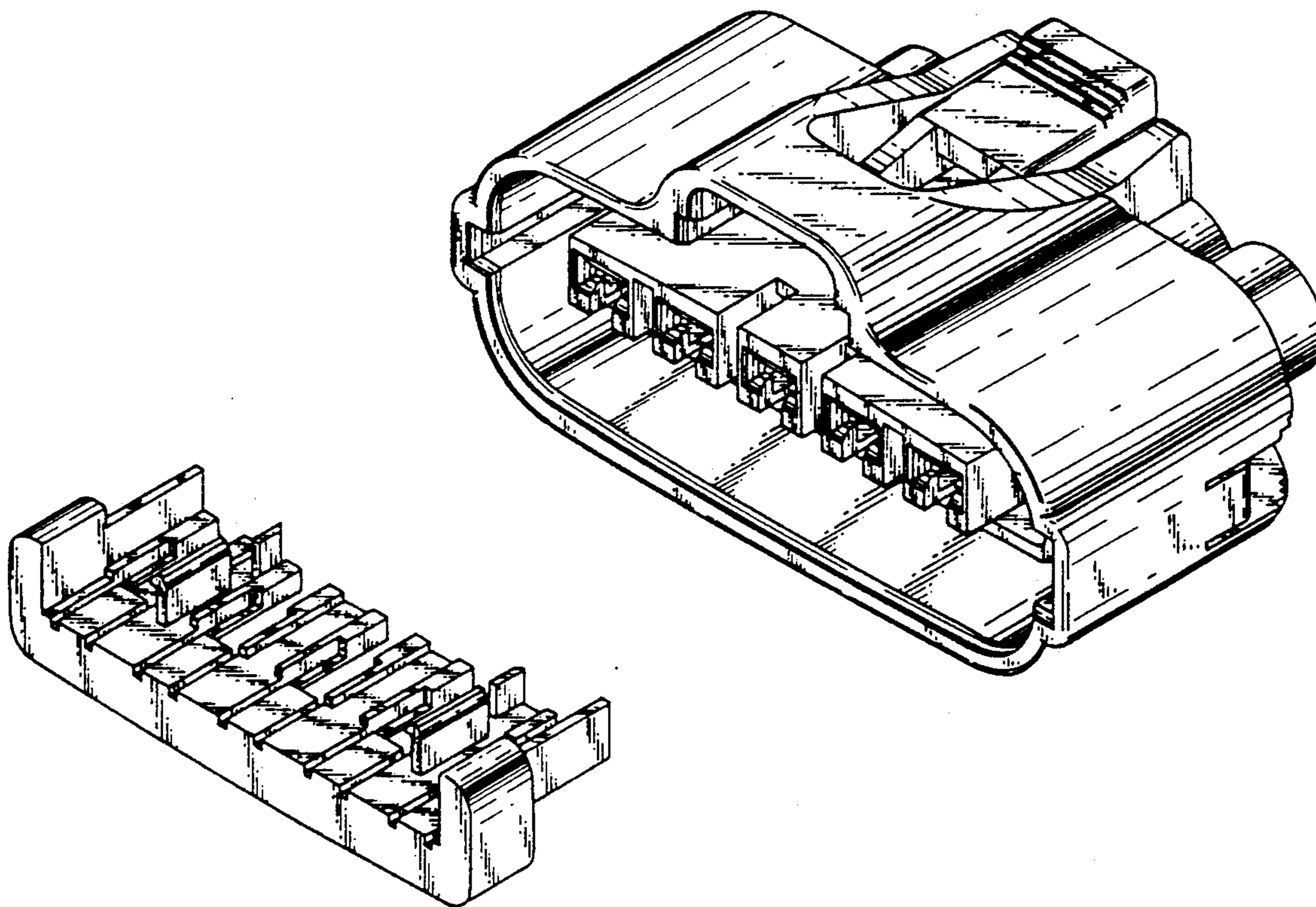


FIG. 1

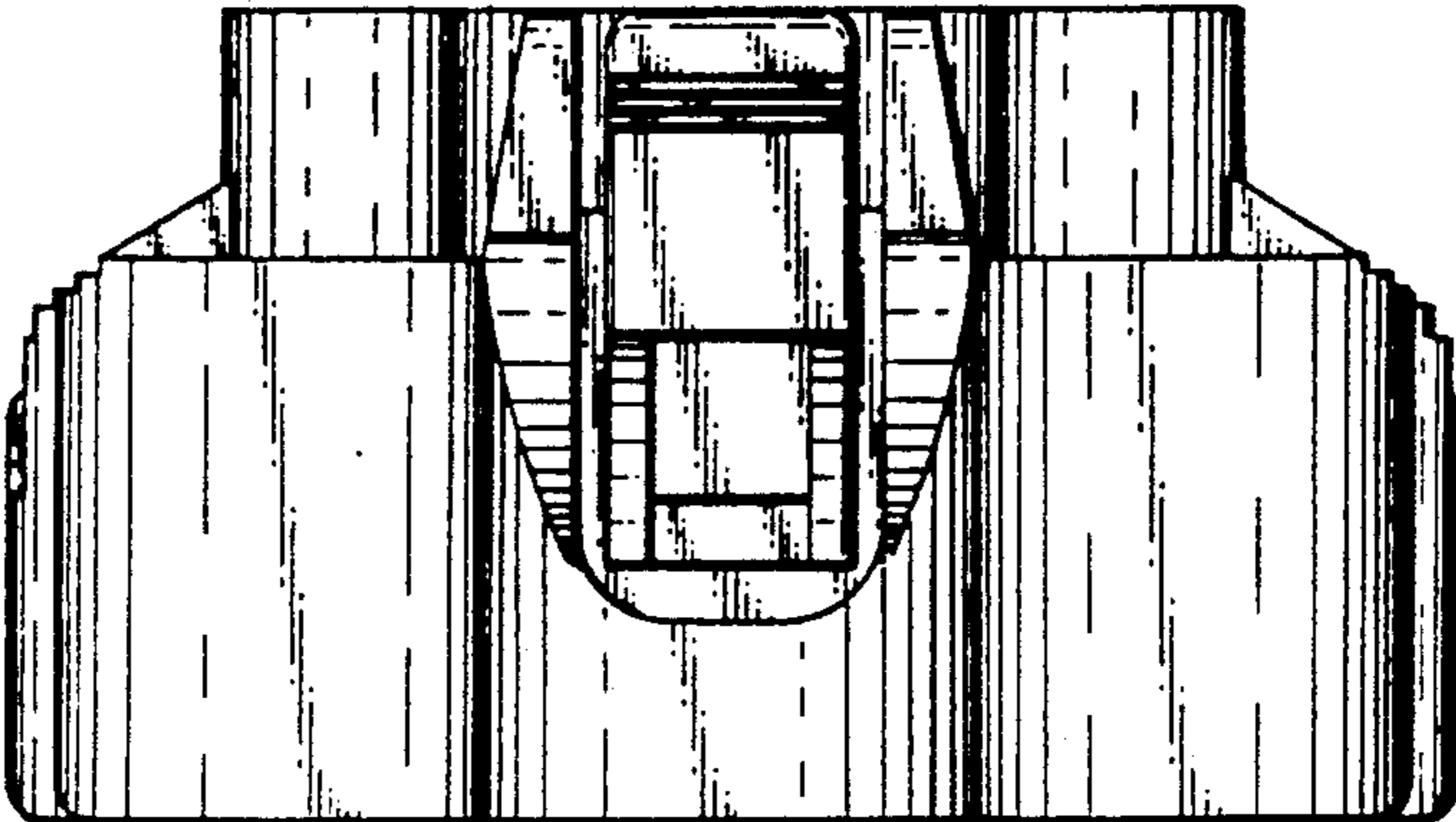


FIG. 2

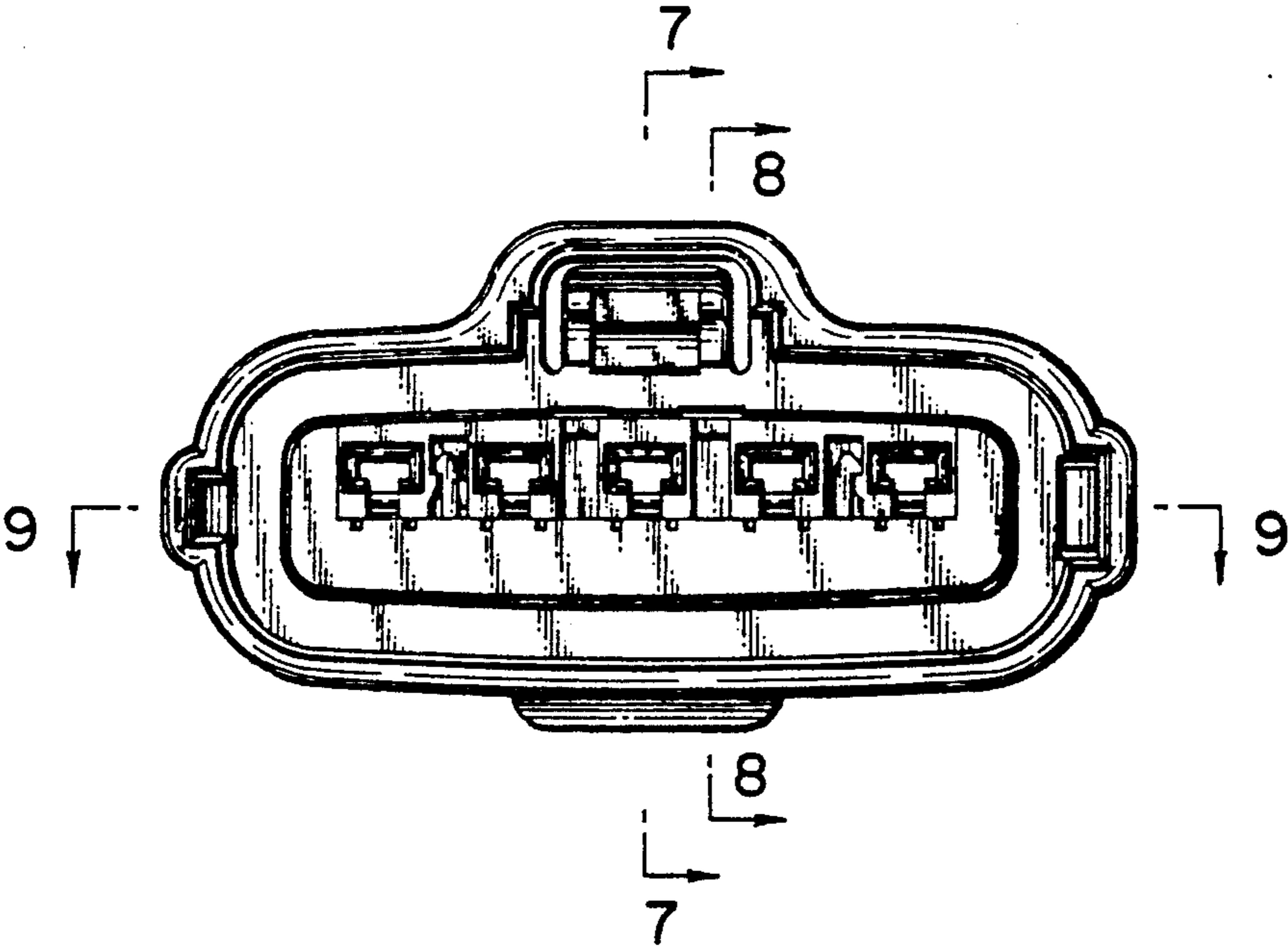


FIG. 3

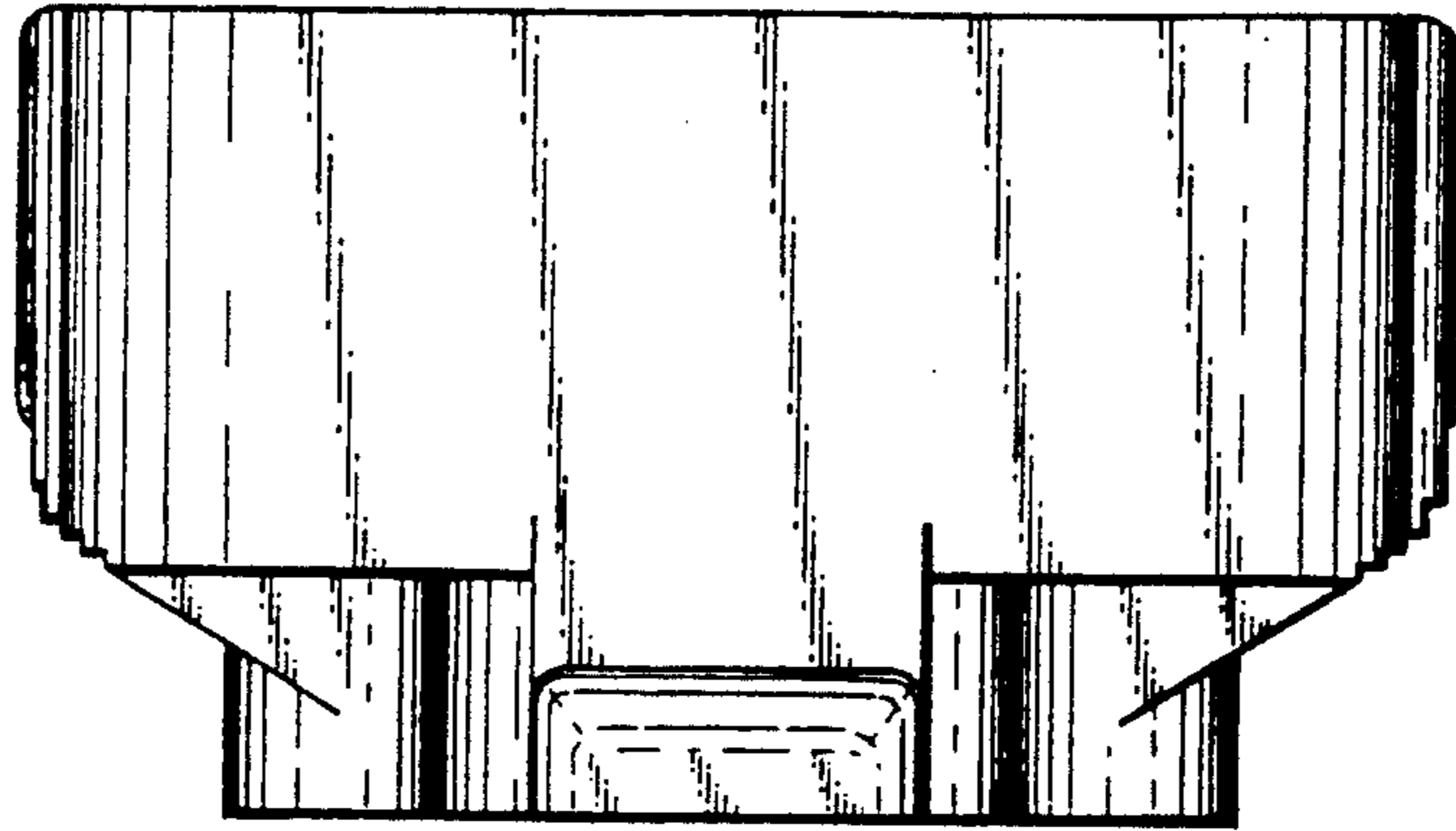


FIG. 4

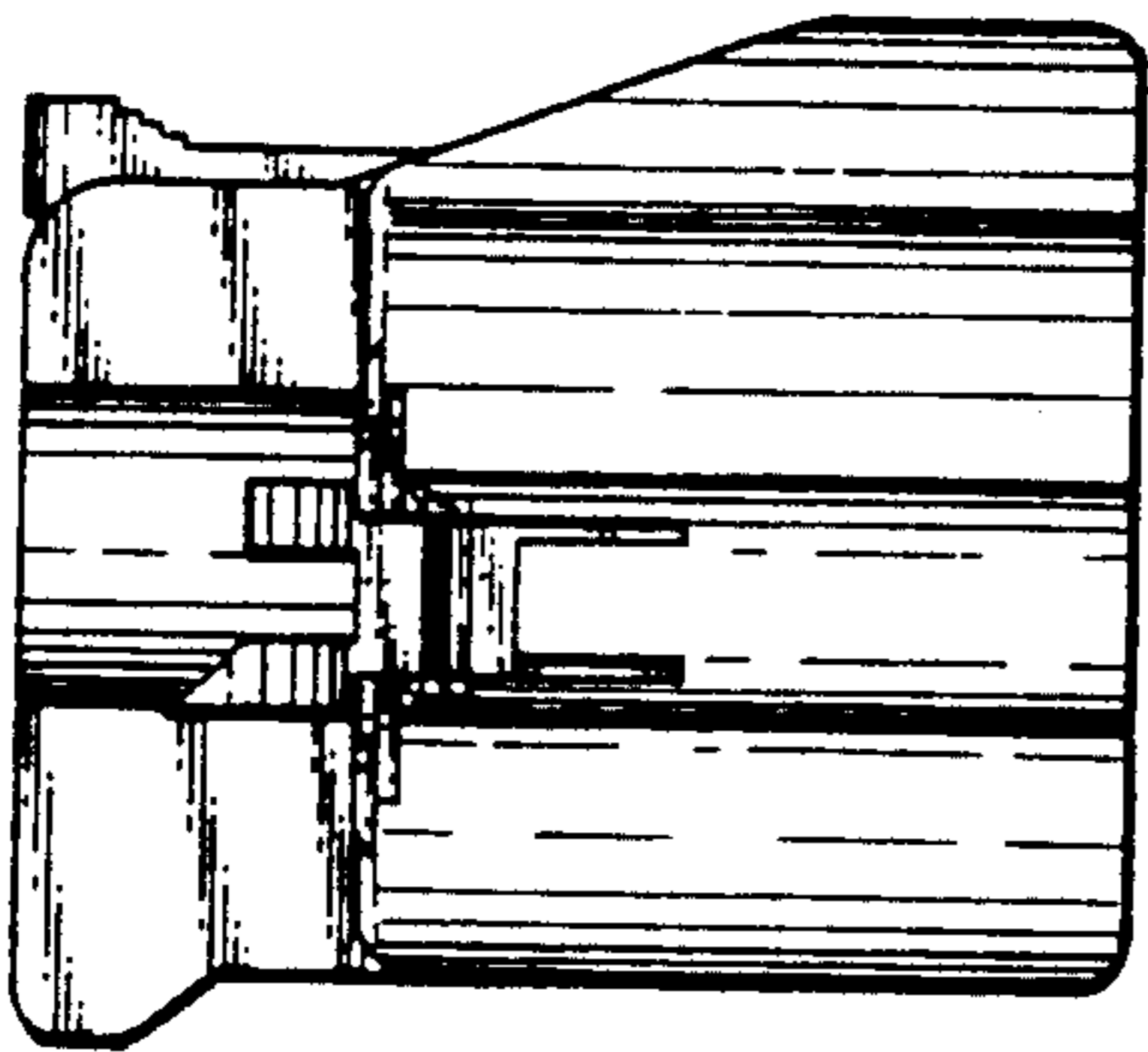


FIG. 5

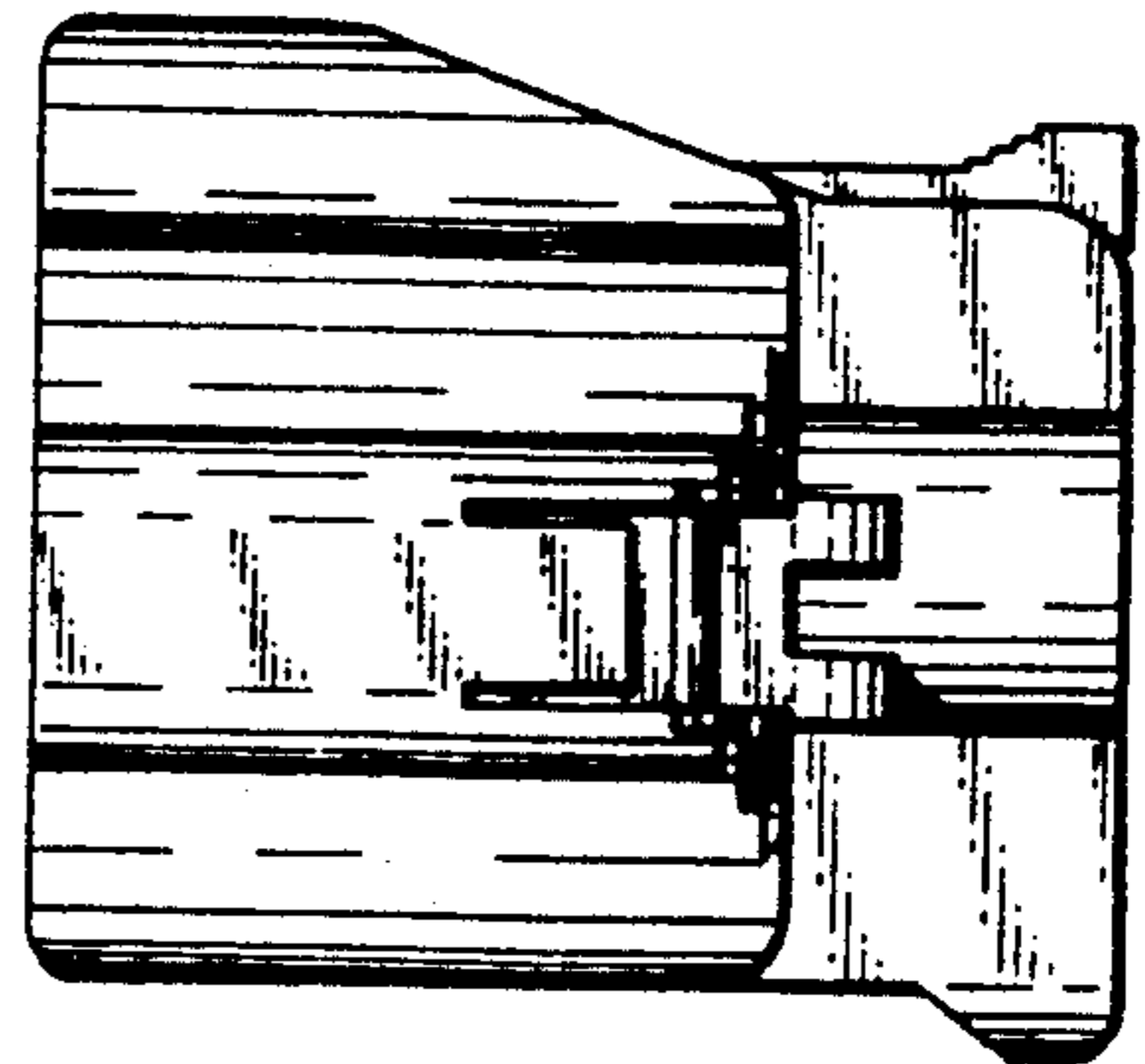


FIG. 6

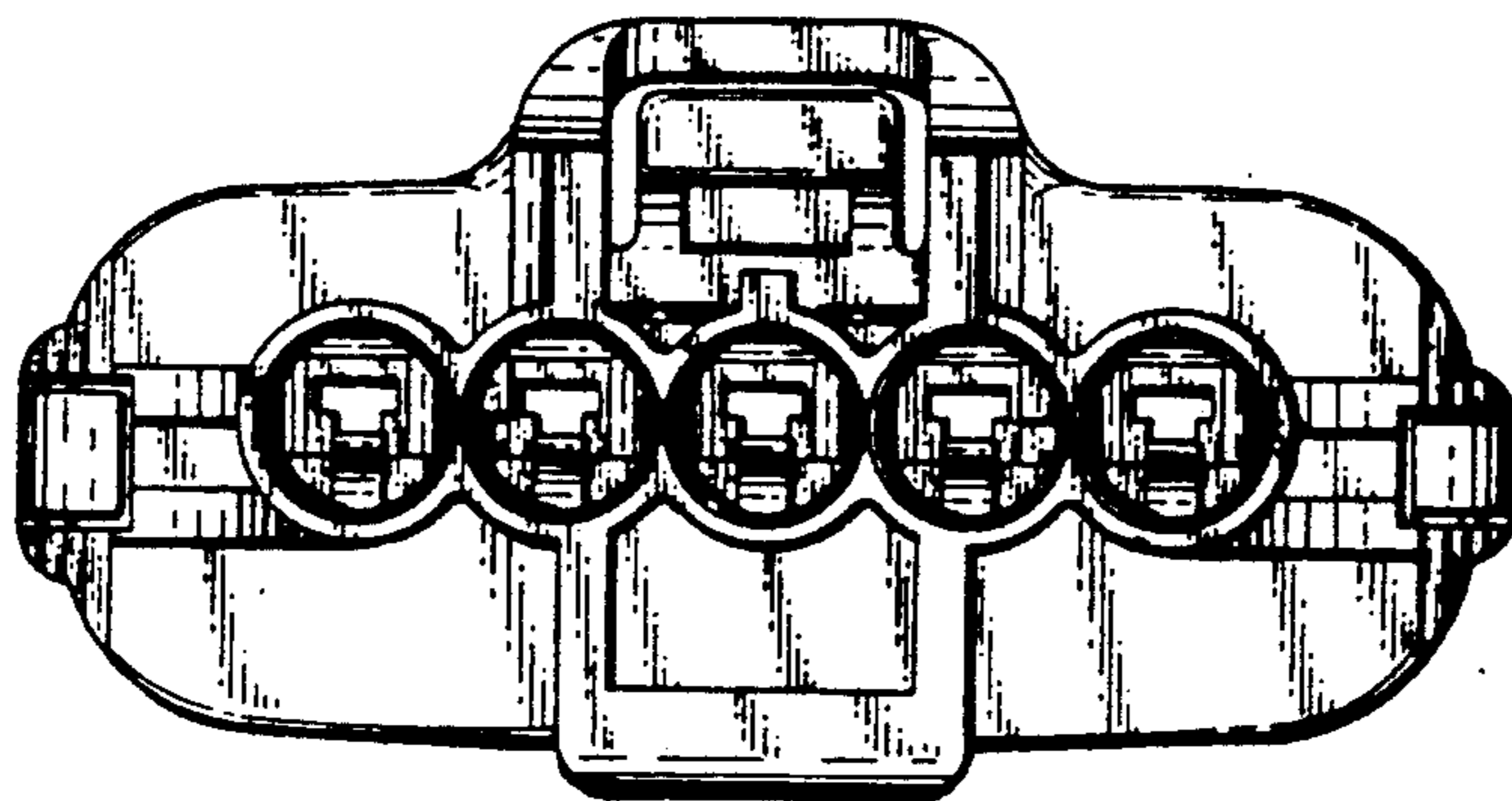


FIG. 7

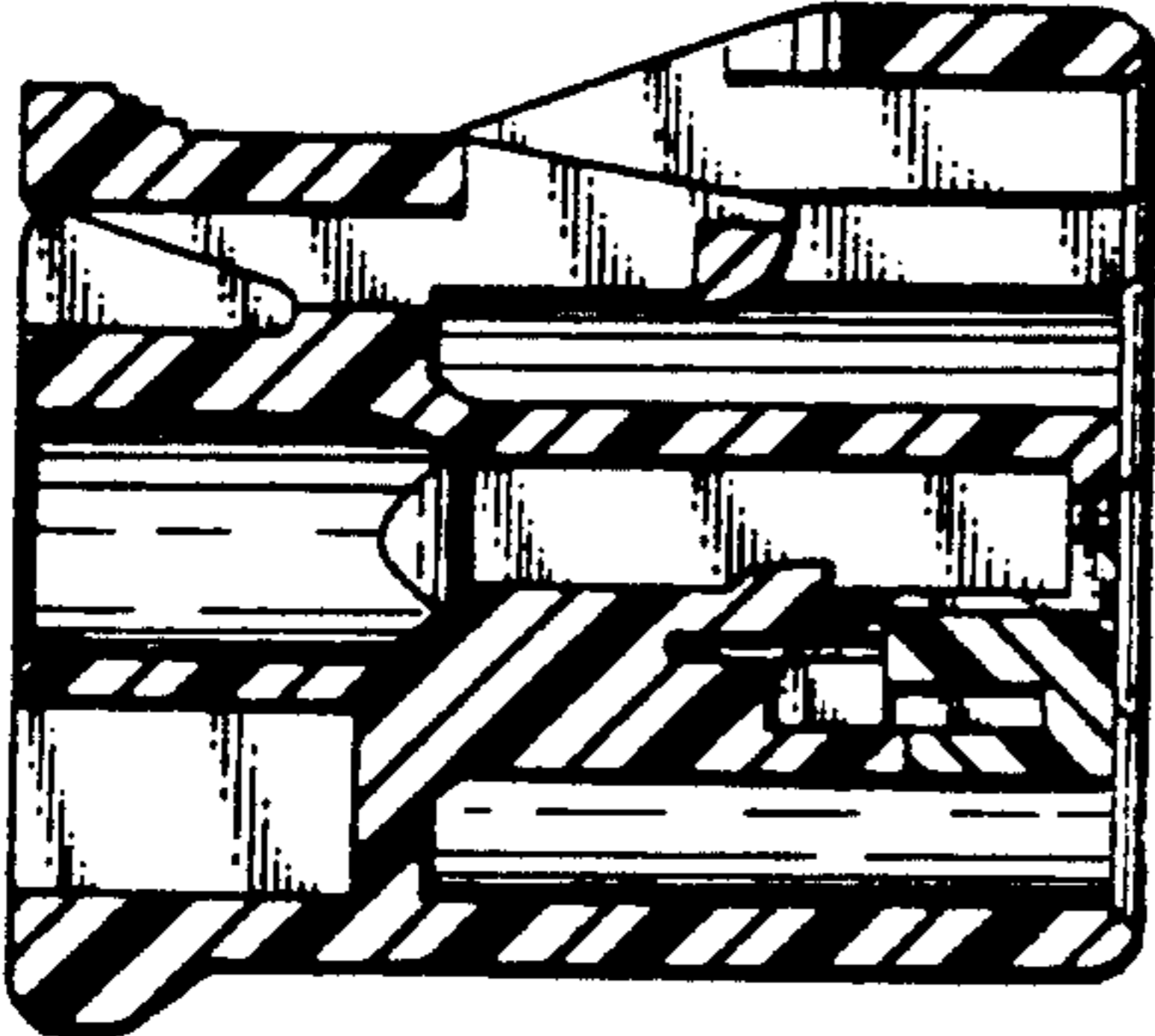


FIG. 8

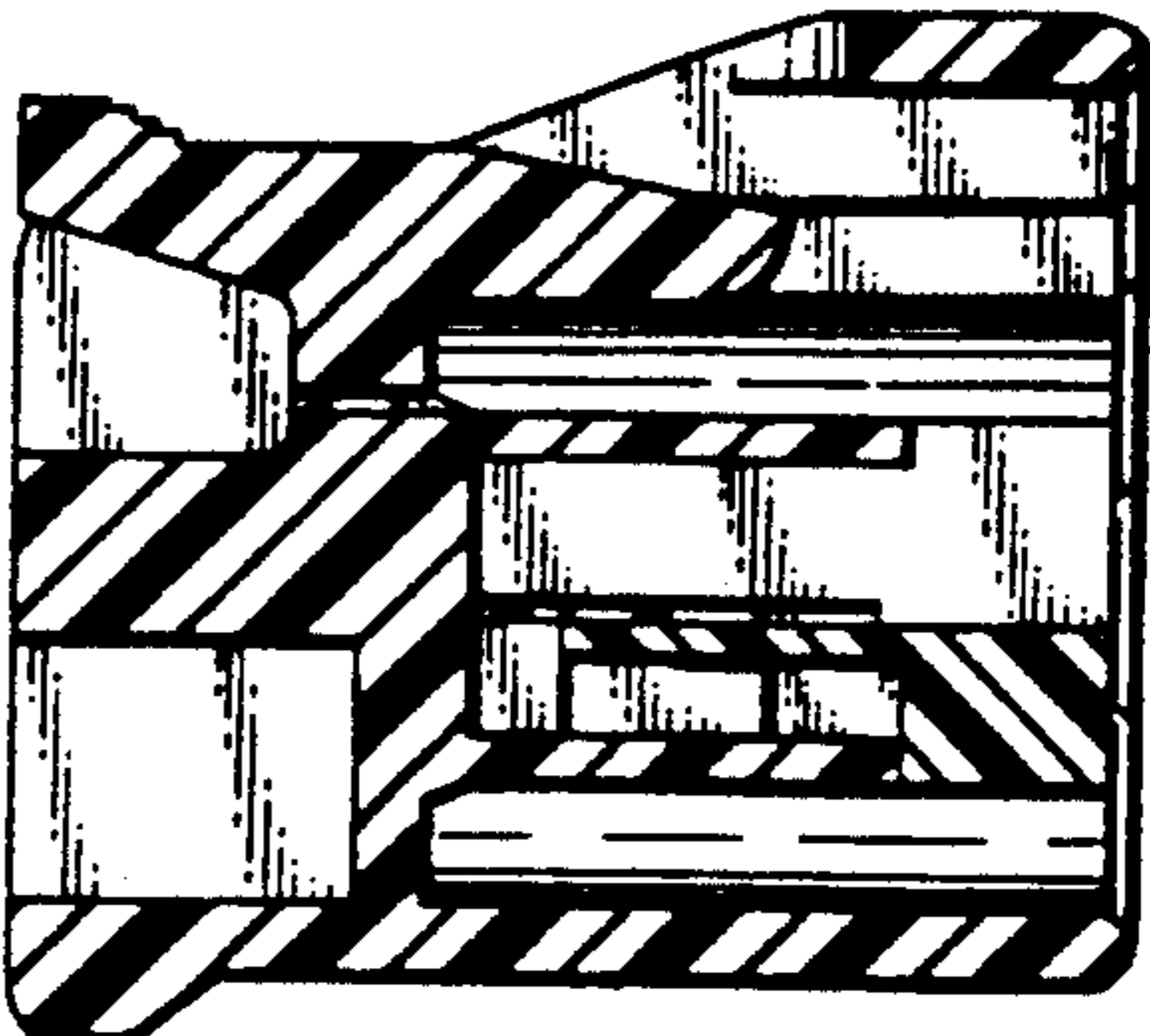


FIG. 9

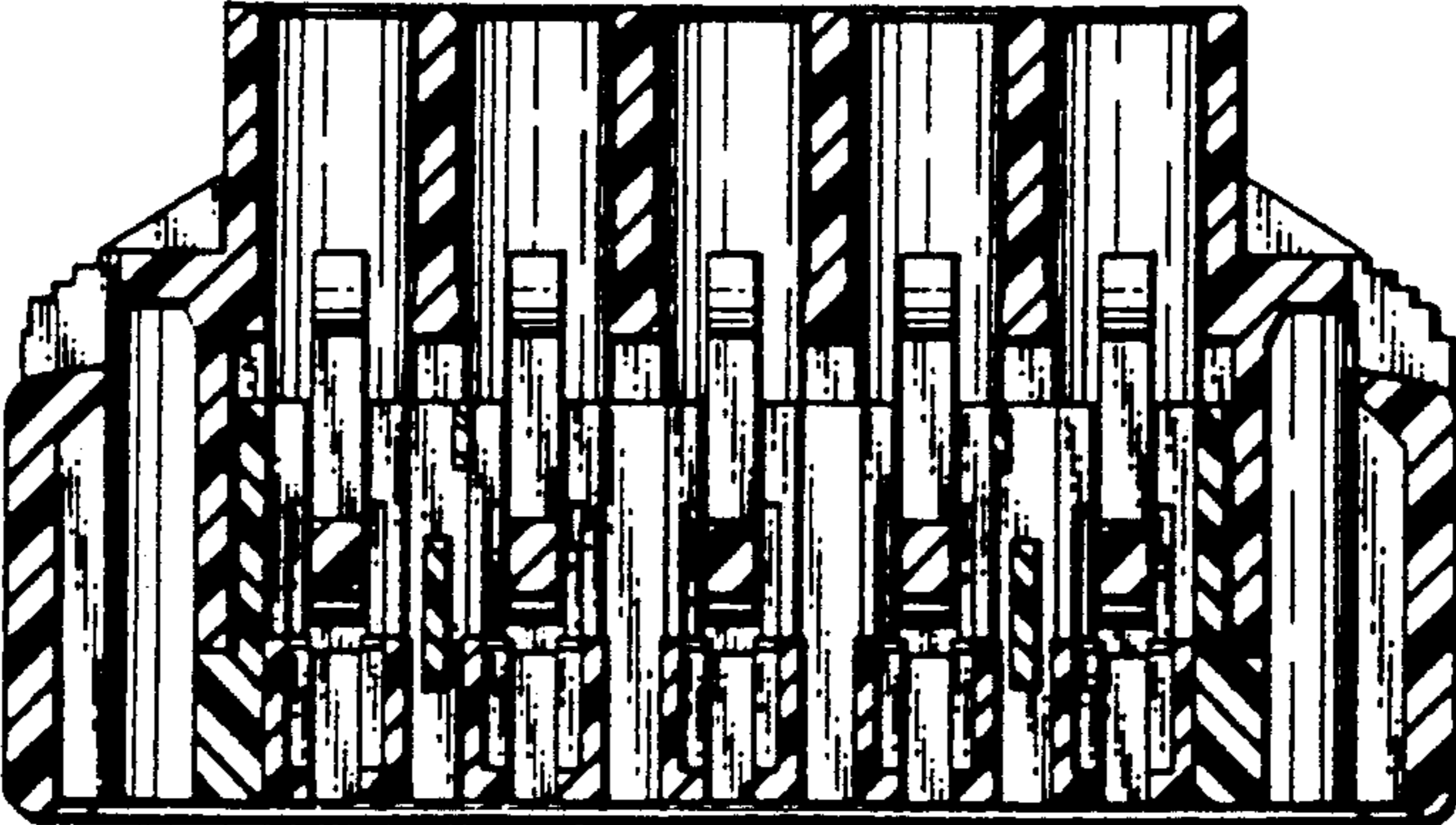


FIG. 10

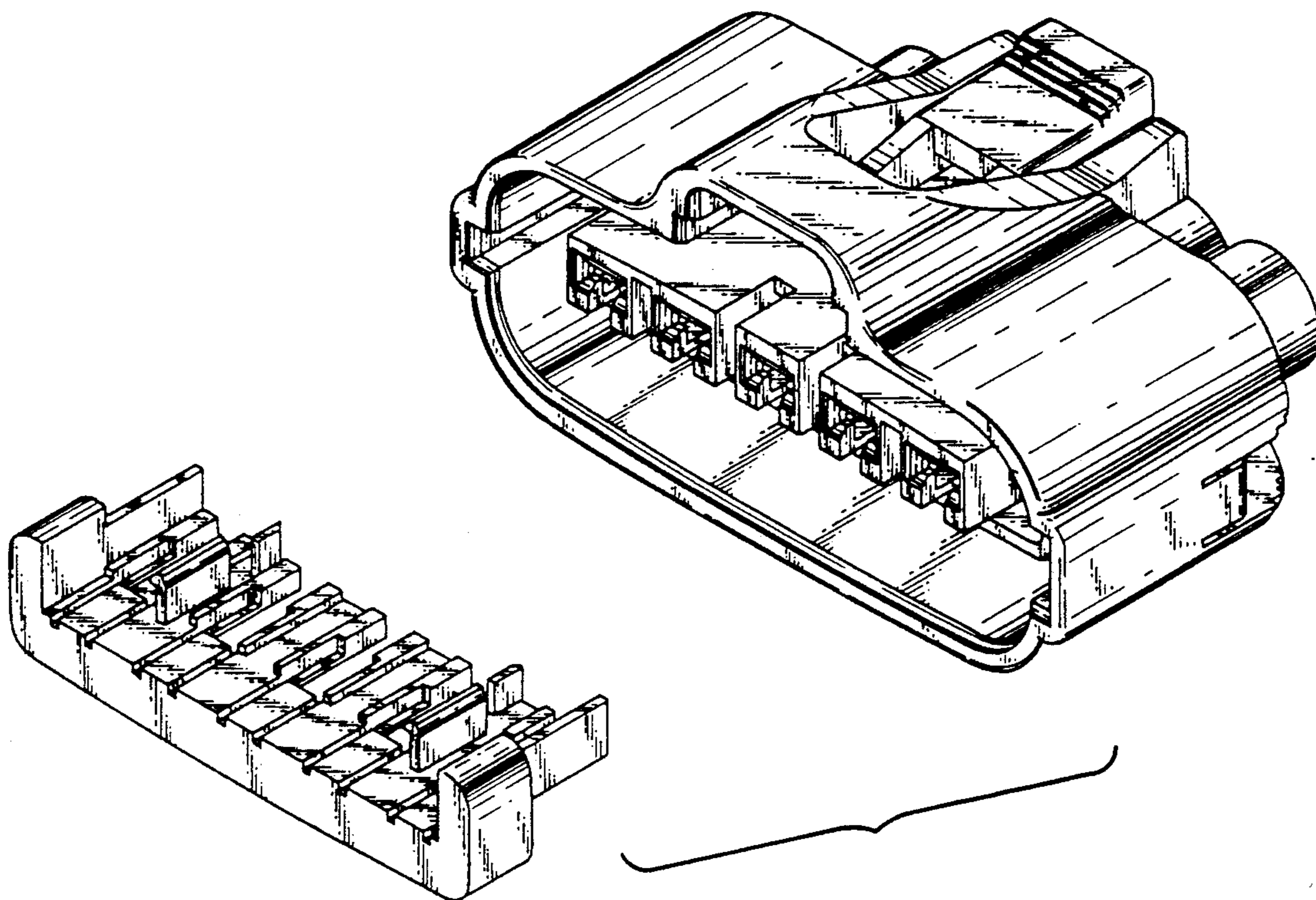


FIG. 11

