



US00D324031S

# United States Patent [19]

[11] Patent Number: **Des. 324,031**

Lambert, II et al.

[45] Date of Patent: **\*\* Feb. 18, 1992**

[54] **ELECTRICAL CONNECTOR HOUSING**

4,915,650 4/1990 Daly et al. .... 439/498

[75] Inventors: **Lahman D. Lambert, II,**  
Mechanicsburg, Pa.; **Dean A. Puerner,**  
Maicopa, Ariz.

### FOREIGN PATENT DOCUMENTS

0274609 7/1988 European Pat. Off. .... 439/492  
3415640 10/1984 Fed. Rep. of Germany ..... 439/350

[73] Assignee: **AMP Incorporated,** Harrisburg, Pa.

### OTHER PUBLICATIONS

[\*\*] Term: **14 Years**

U.S. patent application Ser. No. 07/386,536 Puerner--  
Drawings only.

[21] Appl. No.: **478,178**

U.S. patent application Ser. No. 07/433,412 Puerner--  
Drawings only.

[22] Filed: **Feb. 9, 1990**

U.S. patent application Ser. No. 07/454,259 Puerner--  
Drawings only.

### Related U.S. Application Data

U.S. patent application Ser. No. 07/454,553 Daly et  
al.,--Drawings only.

[63] Continuation-in-part of Ser. No. 386,536, Jul. 28, 1929,  
Pat. No. 4,421,442, which is a continuation-in-part of  
Ser. No. 338,790, Apr. 14, 1989, abandoned, and a  
continuation-in-part of Ser. No. 433,412, Nov. 7, 1989,  
Pat. No. 4,944,693, which is a continuation-in-part of  
Ser. No. 387,203, Jul. 28, 1989.

U.S. patent application Ser. No. 07/454,656 Daly et  
al--Drawings only.

[52] U.S. Cl. .... **D13/147**

*Primary Examiner*—Susan J. Lucas

*Assistant Examiner*—J. Sincavage

*Attorney, Agent, or Firm*—Anton P. Ness

[58] Field of Search ..... **D13/133, 146, 147;**  
439/248, 345, 350, 352, 353, 358, 544, 586, 587,  
595, 596, 598, 600, 682, 752

### [57] CLAIM

The ornamental design for an electrical connector hous-  
ing, as shown and described.

### [56] References Cited

### DESCRIPTION

#### U.S. PATENT DOCUMENTS

D. 216,888	3/1970	Kunkle et al. ....	D13/147
D. 309,725	8/1990	O'Grady .....	D13/133
4,376,565	3/1983	Bird et al. ....	439/681
4,437,725	3/1984	Eaby et al. ....	439/357 X
4,462,654	7/1984	Aiello .....	439/347
4,832,625	5/1989	Puerner .....	439/681
4,859,204	8/1989	Daly et al. ....	439/424
4,887,976	12/1989	Bennett et al. ....	439/492
4,900,264	2/1990	Bennett et al. ....	439/391

FIG. 1 is a top front perspective view of the electrical  
connector housing showing our new design;

FIG. 2 is a top rear perspective view thereof;

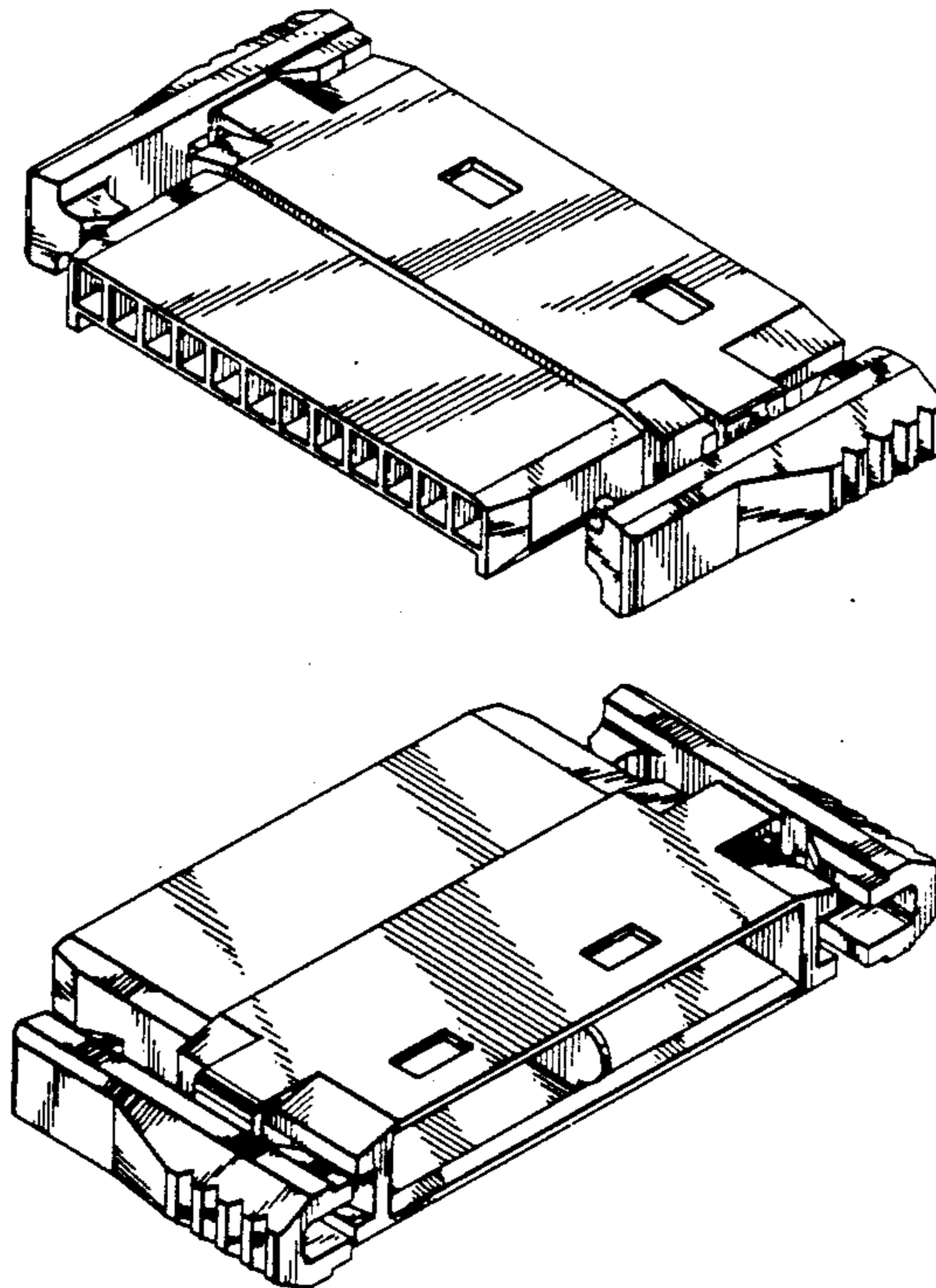
FIG. 3 is a right side elevational view thereof, the left  
side elevation view thereof being a mirror image.

FIG. 4 is a rear elevational view thereof;

FIG. 5 is a top plan view thereof;

FIG. 6 is a front elevational view thereof; and

FIG. 7 is a bottom plan view thereof.



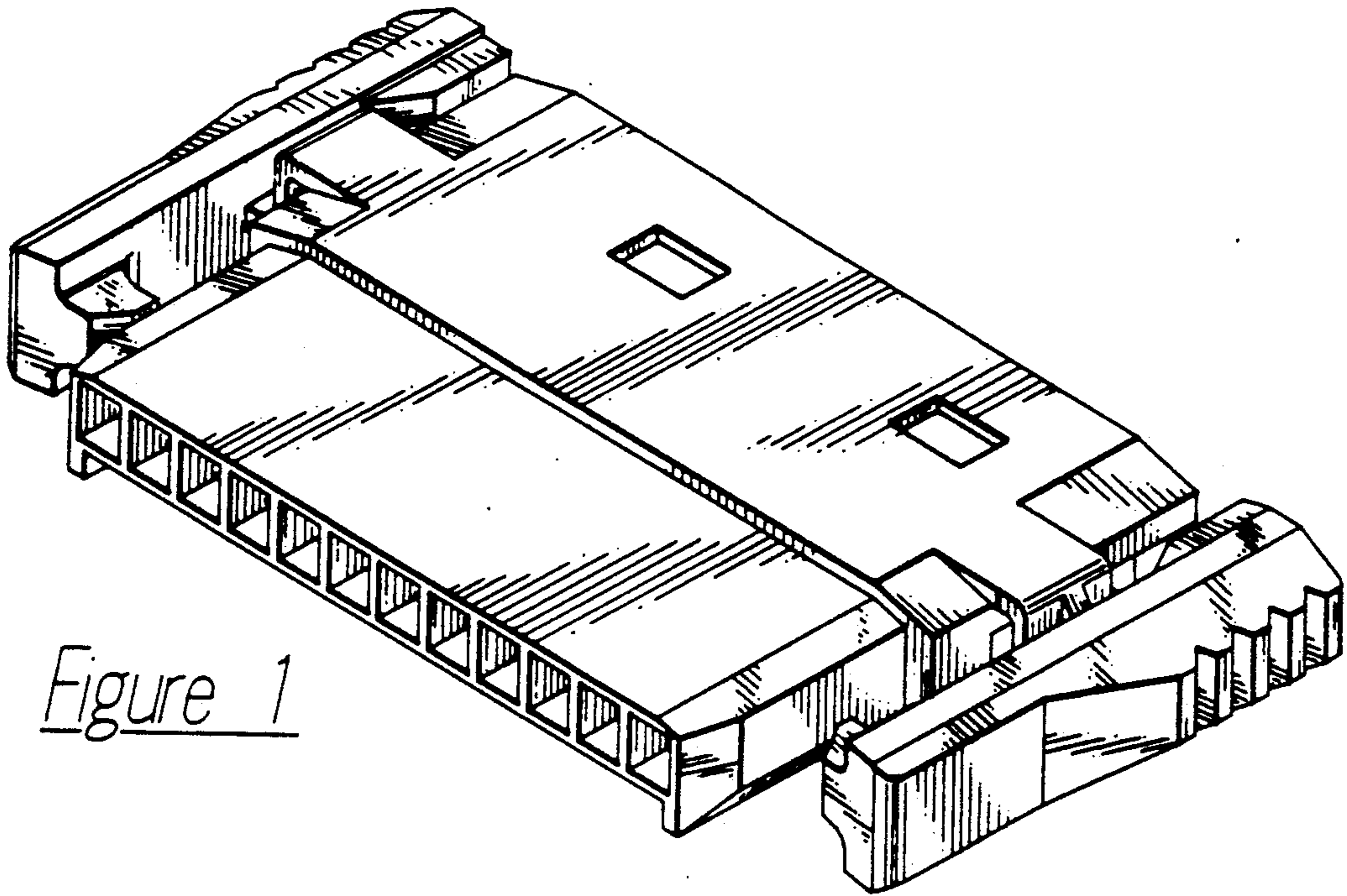


Figure 1

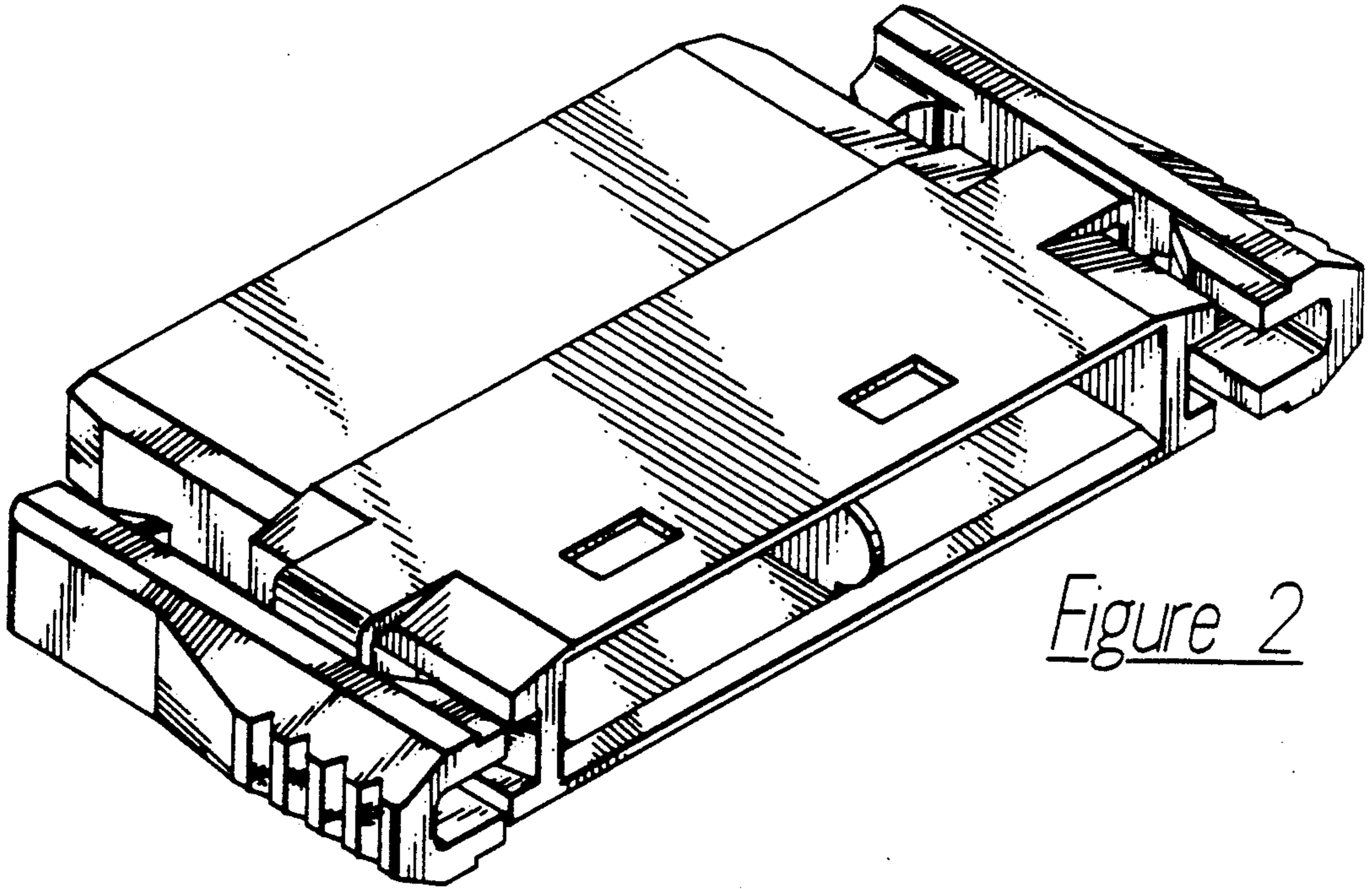


Figure 2

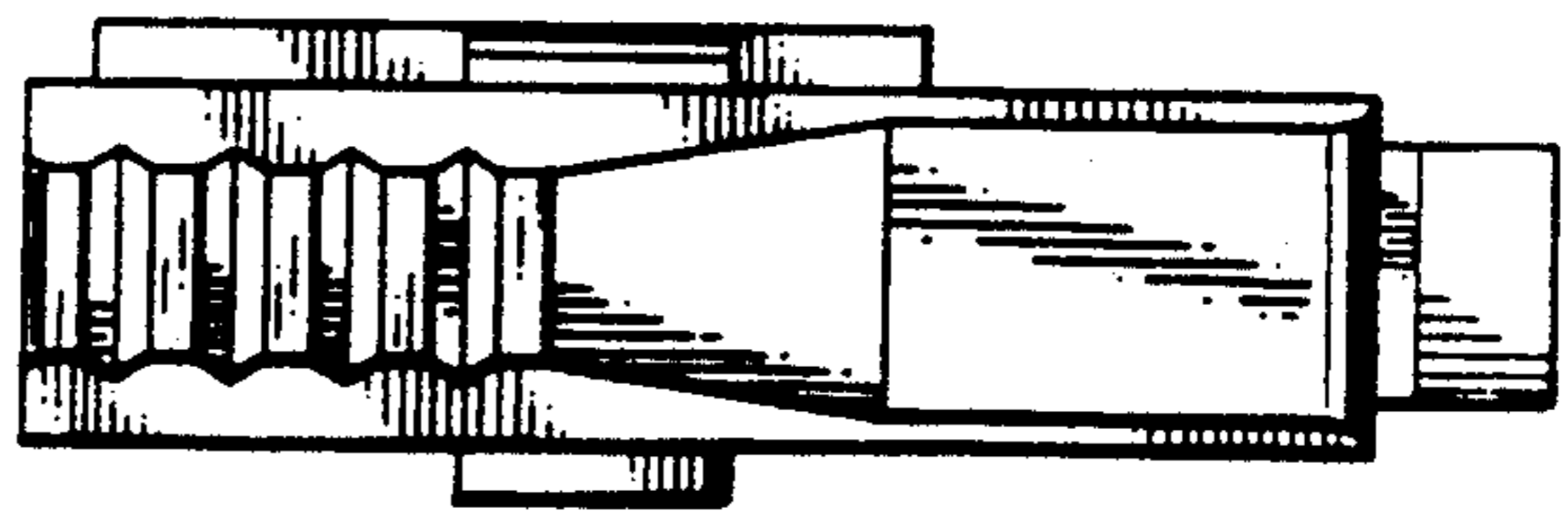


Figure 3

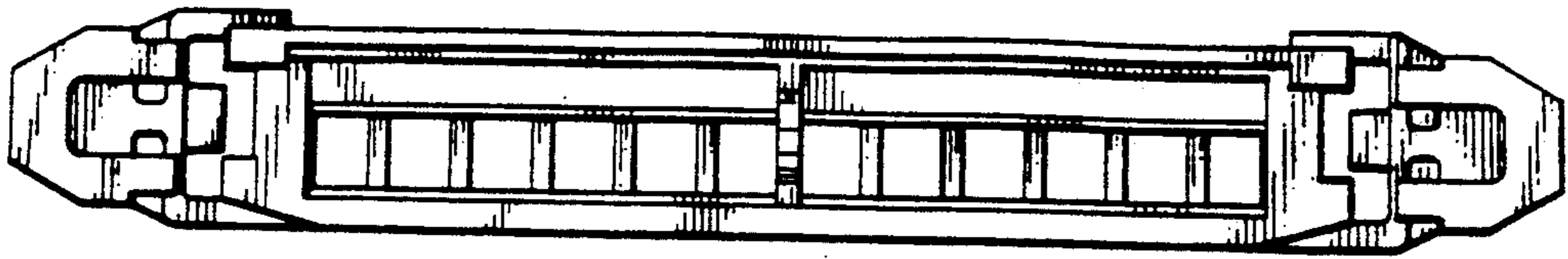


Figure 4

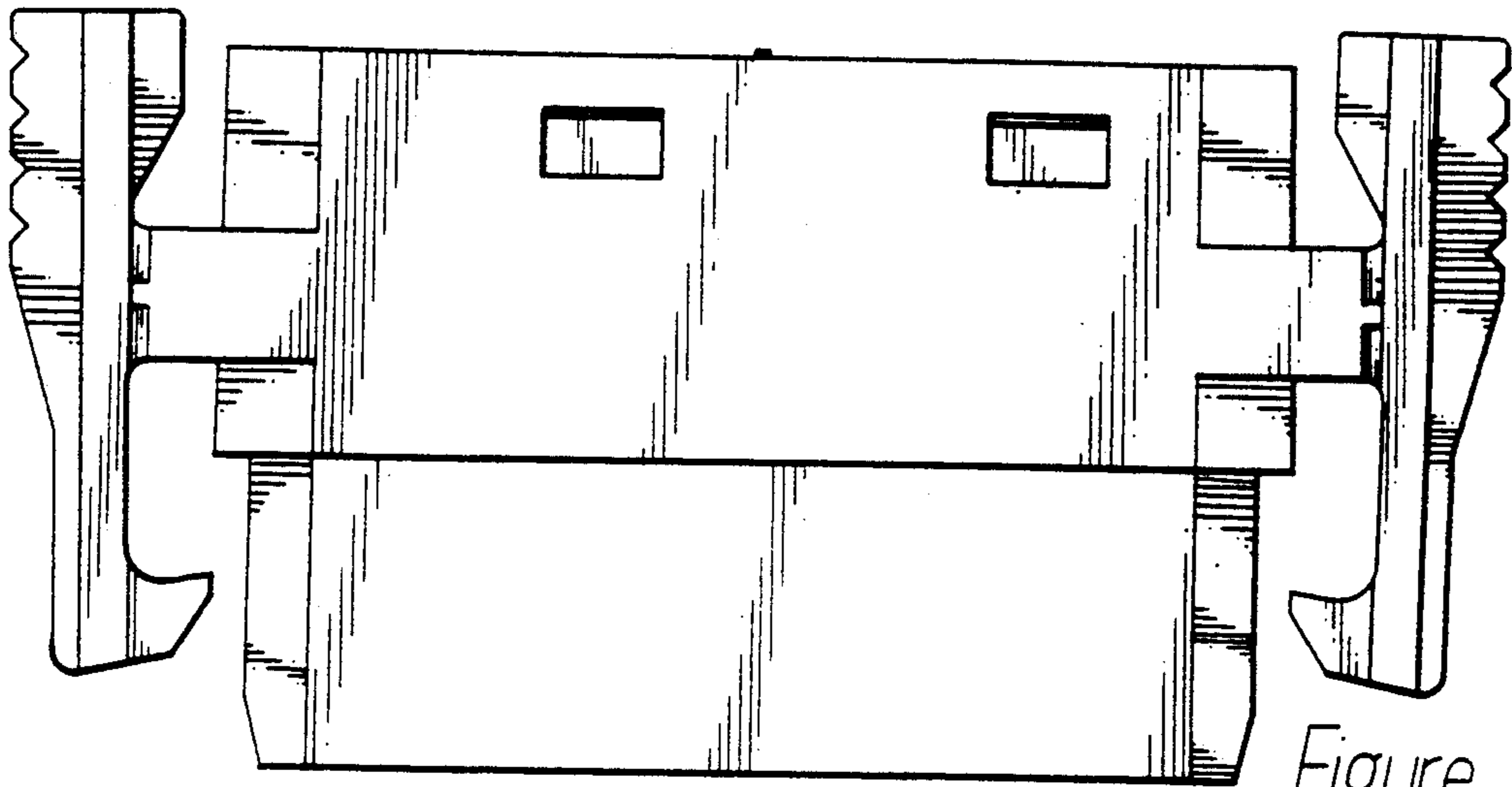


Figure 5

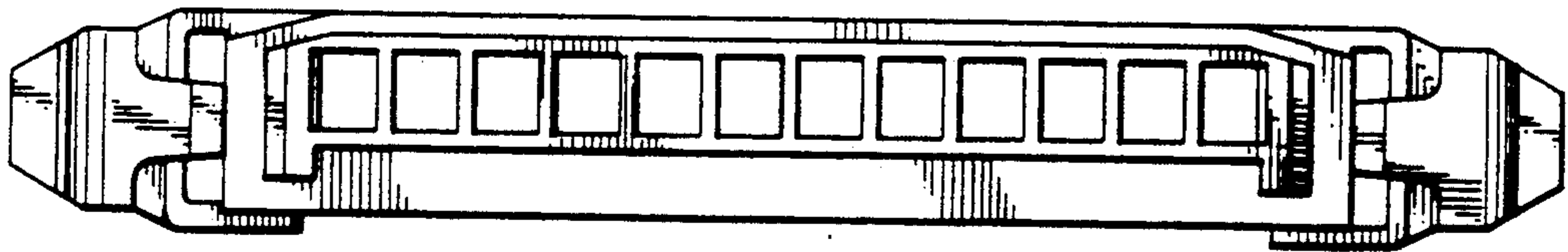


Figure 6

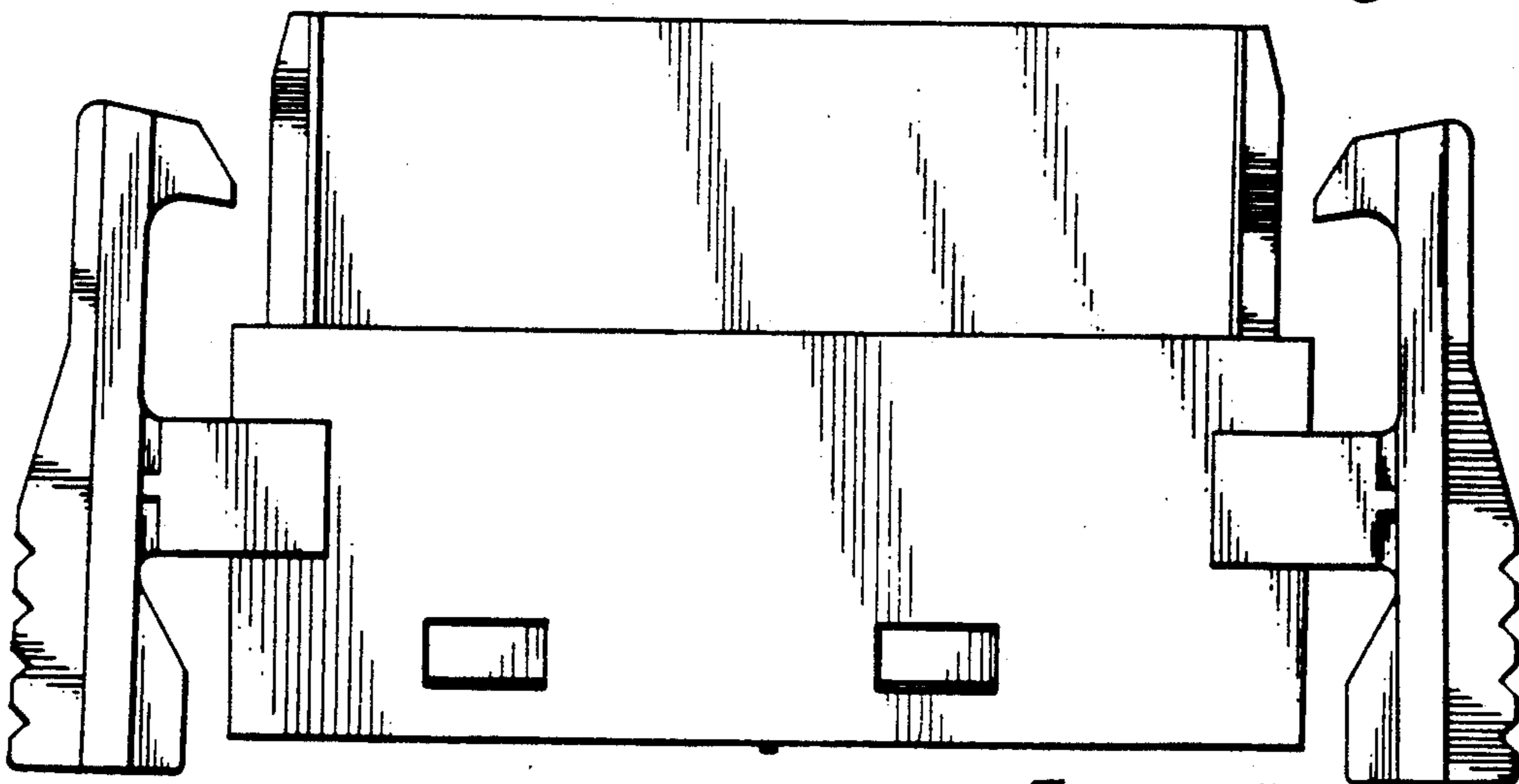


Figure 7