



US00D324028S

# United States Patent [19]

Sueyoshi et al.

[11] Patent Number: **Des. 324,028**

[45] Date of Patent: **\*\* Feb. 18, 1992**

- [54] **ELECTRICAL CONNECTOR HOUSING**
- [75] Inventors: **Tadahiro Sueyoshi; Masanori Tsuji; Yoshihiro Murakami; Takayuki Yamamoto; Masaru Fukuda**, all of Shizuoka; **Hidetaka Okabe**, Toyota; **Yasuhiro Nagasaka**, Toyota; **Yasuo Hirayama**, Toyota, all of Japan
- [73] Assignees: **Yazaki Corporation**, Tokyo; **Toyota Jidosha Kabushiki Kaisha**, Toyota, both of Japan
- [\*\*] Term: **14 Years**
- [21] Appl. No.: **470,557**
- [22] Filed: **Jan. 26, 1990**
- [30] **Foreign Application Priority Data**  
 Jul. 31, 1989 [JP] Japan ..... 1-28075
- [52] U.S. Cl. .... **D13/133**
- [58] Field of Search ..... **D13/133, 146, 147; 439/248, 345, 350, 352, 353, 358, 544, 586, 587, 595, 596, 598, 600, 682, 752**

- 4,797,116 1/1989 Isohata et al. .... 439/595 X
- 4,822,302 4/1989 Dorleans ..... 439/544
- 4,975,082 12/1990 Nagasaka et al. .... 439/598 X

*Primary Examiner*—Susan J. Lucas  
*Assistant Examiner*—J. Sincavage

### [57] CLAIM

The ornamental design for an electrical connector housing, as shown and described.

### DESCRIPTION

FIG. 1 is a top plan view of an electrical connector housing showing our new design;  
 FIG. 2 is a front elevational view thereof;  
 FIG. 3 is a bottom plan view thereof;  
 FIG. 4 is a left side elevational view thereof;  
 FIG. 5 is a right side elevational view thereof;  
 FIG. 6 is a rear elevational view thereof;  
 FIG. 7 is a cross-sectional view thereof taken along line 7—7 of FIG. 2;  
 FIG. 8 is a cross-sectional view taken along line 8—8 of FIG. 2;  
 FIG. 9 is a cross-sectional view thereof taken along line 9—9 of FIG. 2;  
 FIG. 10 is a rear and upper left perspective view thereof. The broken line showing of the conductors, corresponding housing and other related members is included for the purposes of illustrating environmental elements only and forms no part of the claimed design.

- [56] **References Cited**  
**U.S. PATENT DOCUMENTS**  
 D. 318,043 7/1991 Nagasaka et al. .... D13/147  
 D. 318,718 7/1991 Blatt ..... D13/133 X

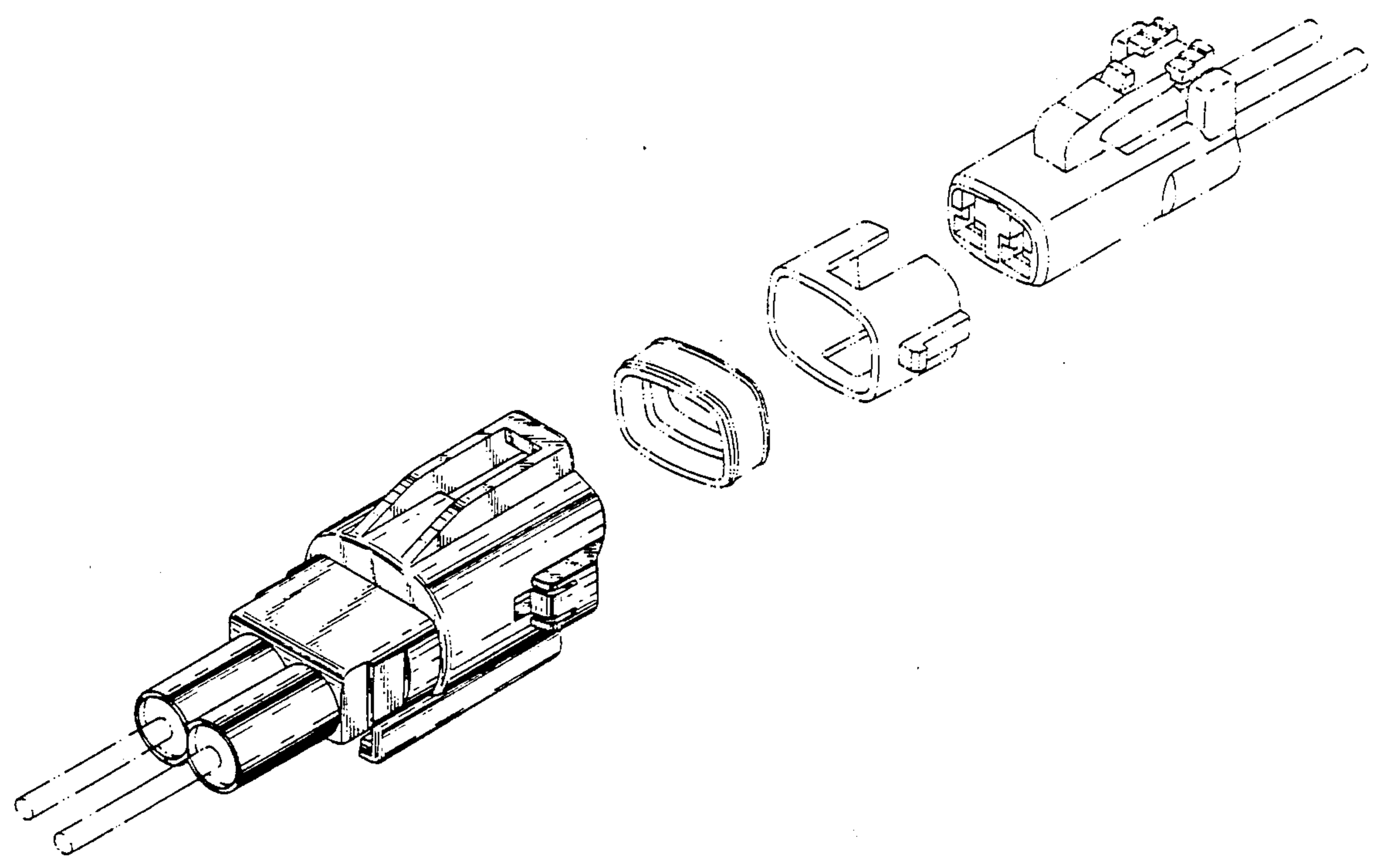


FIG. 1

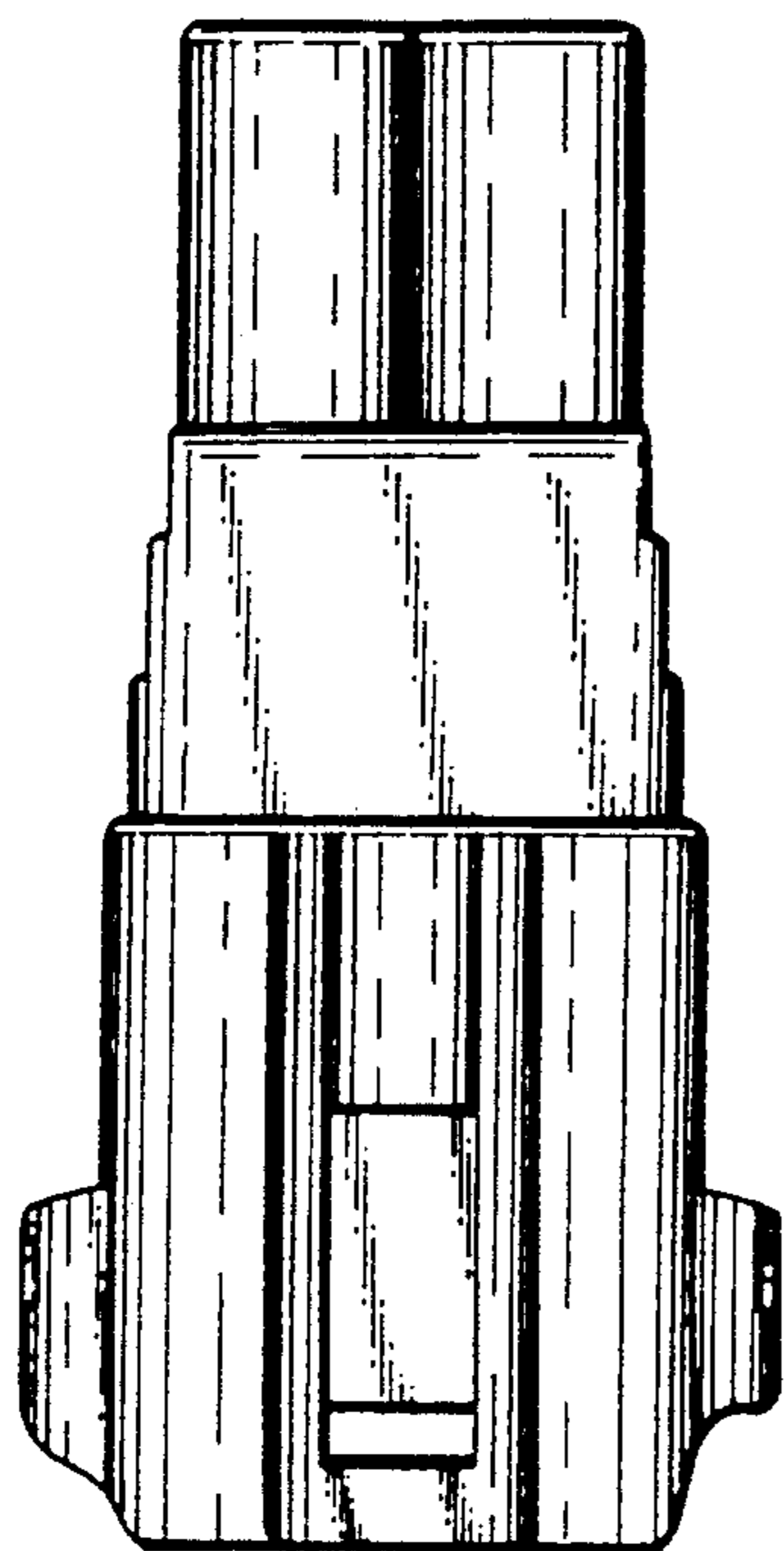


FIG. 3

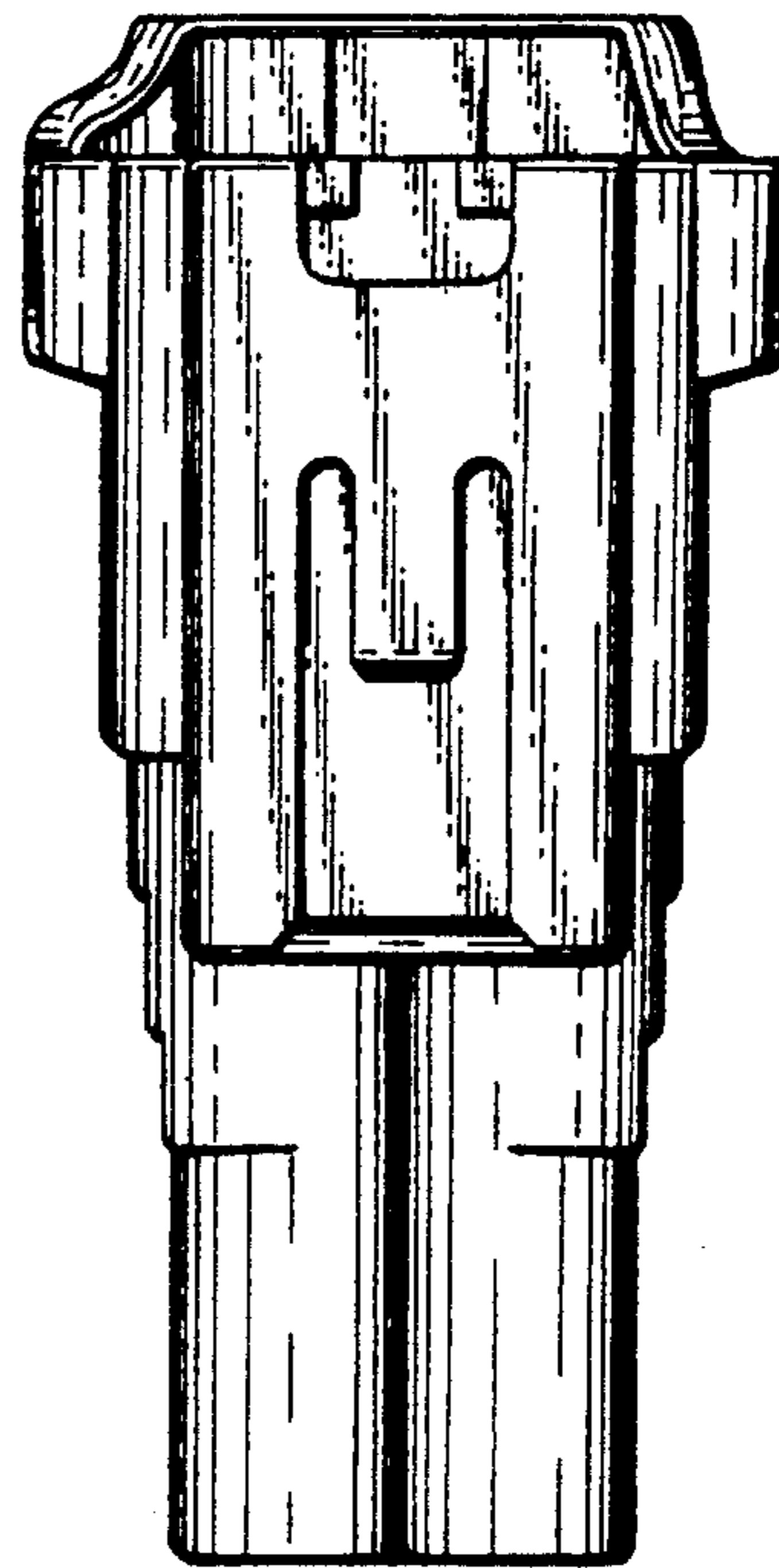


FIG. 2

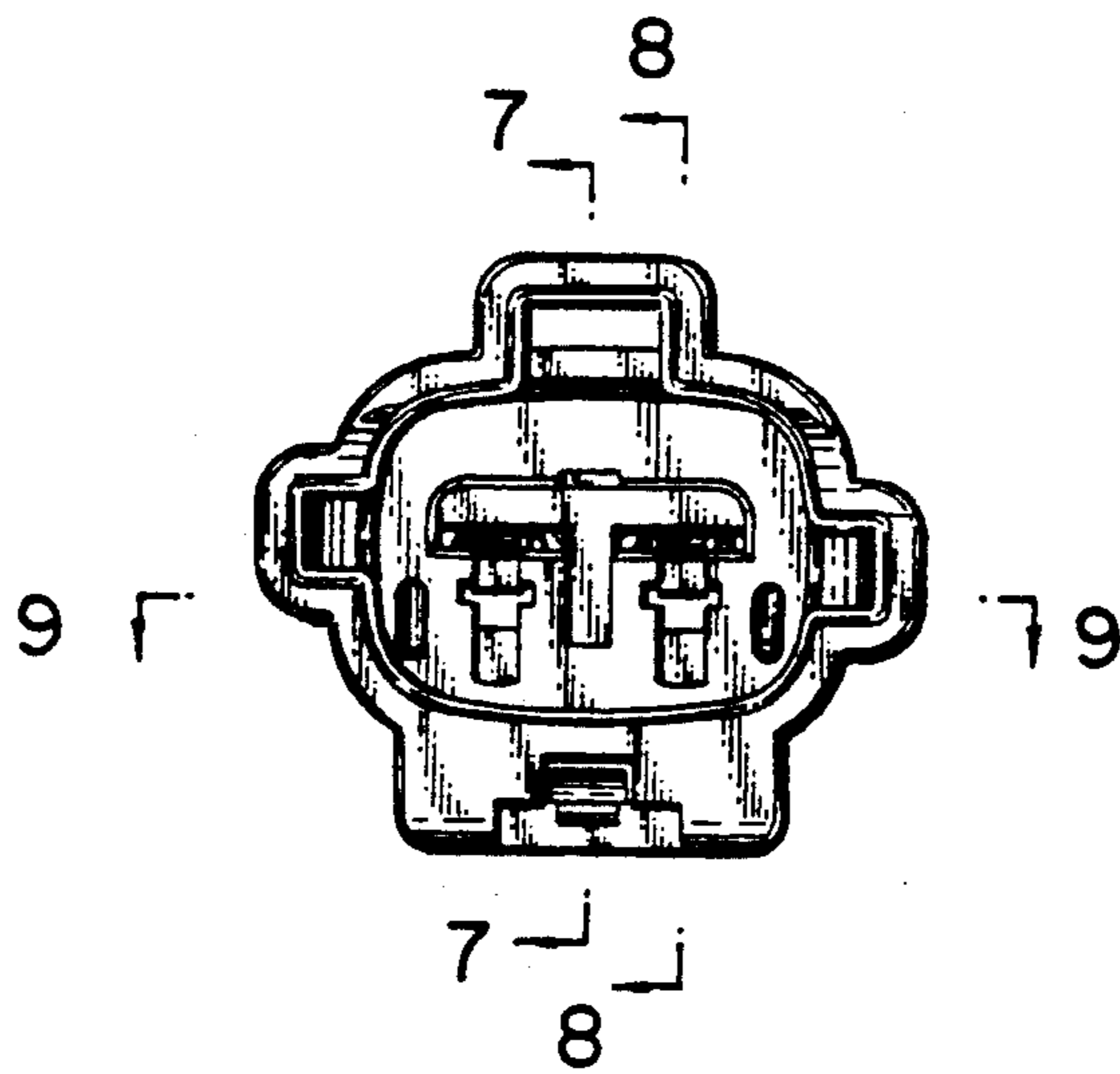


FIG. 4

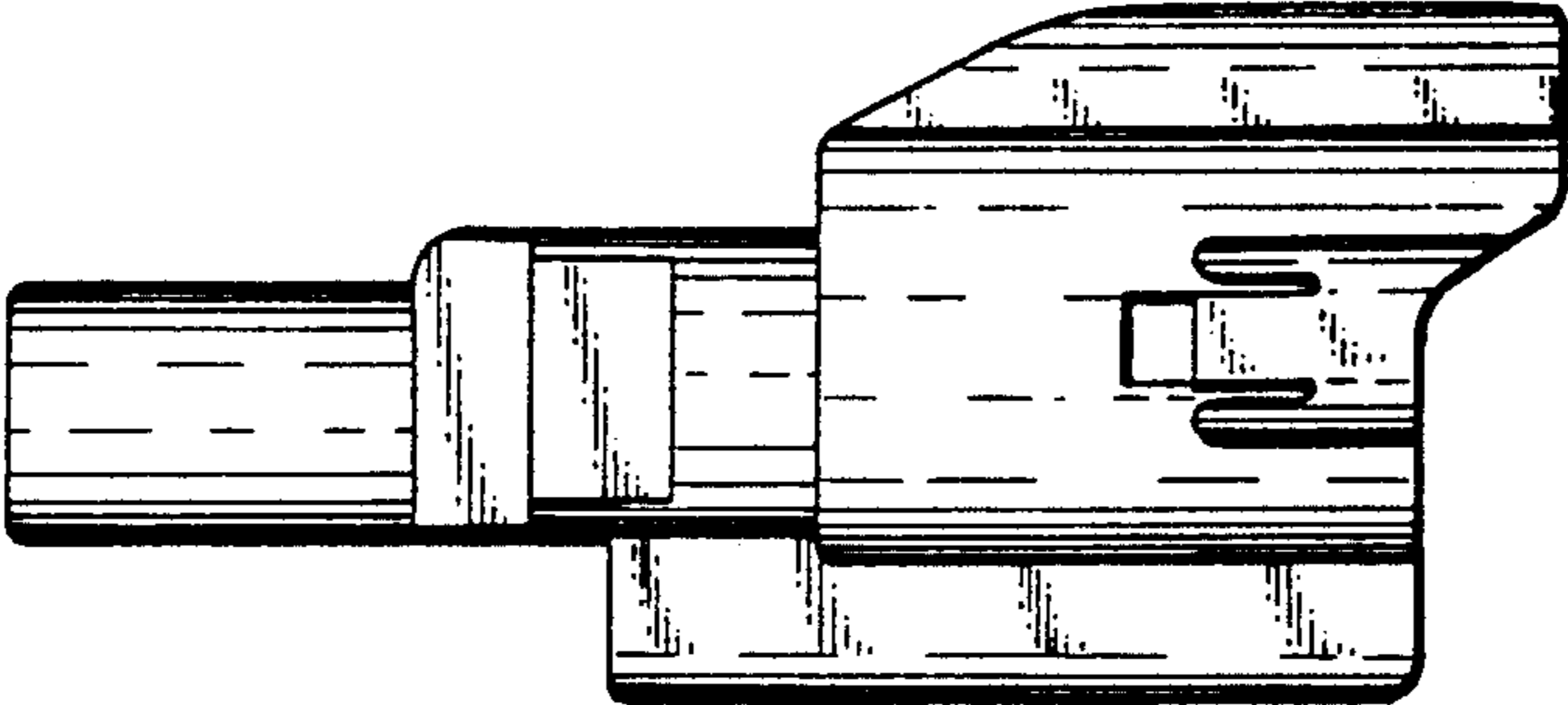


FIG. 5

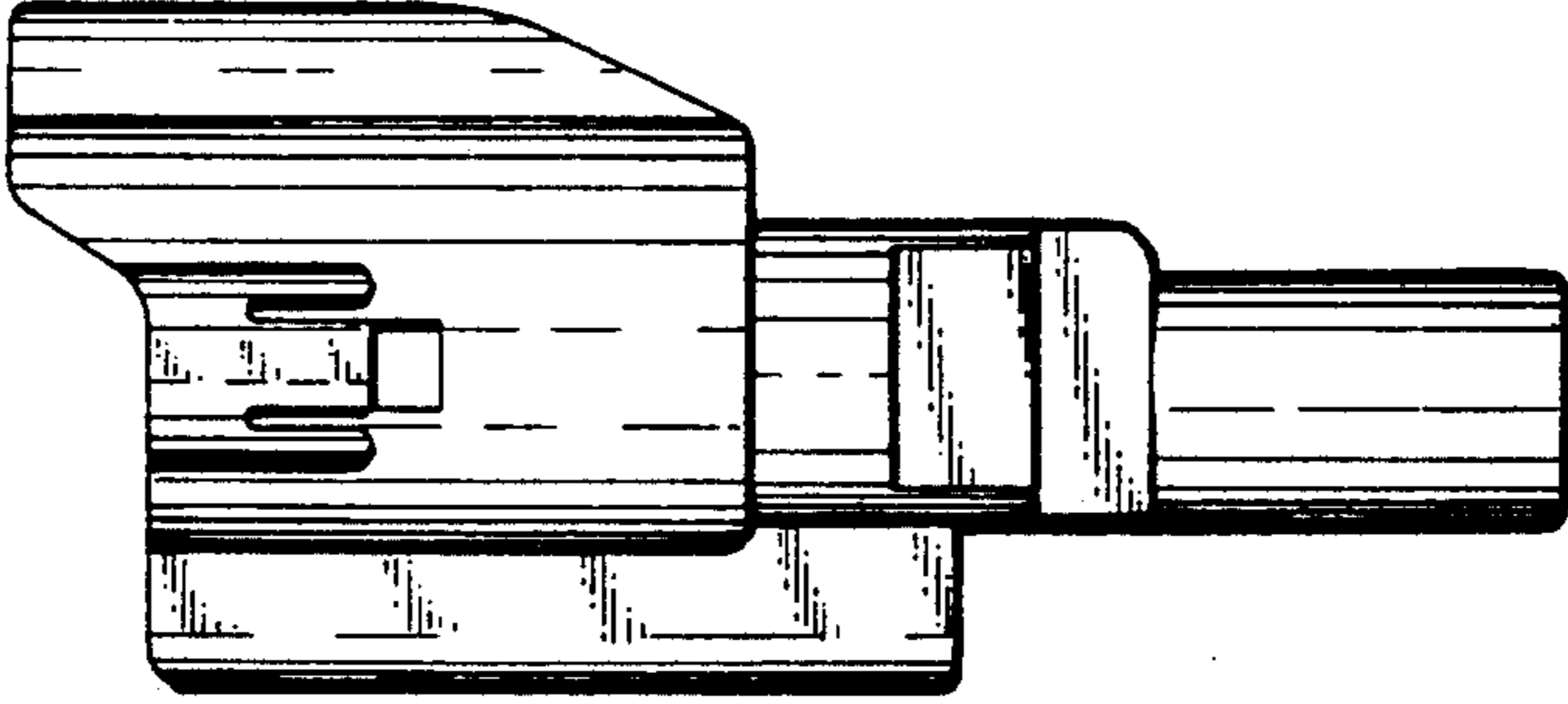


FIG. 6

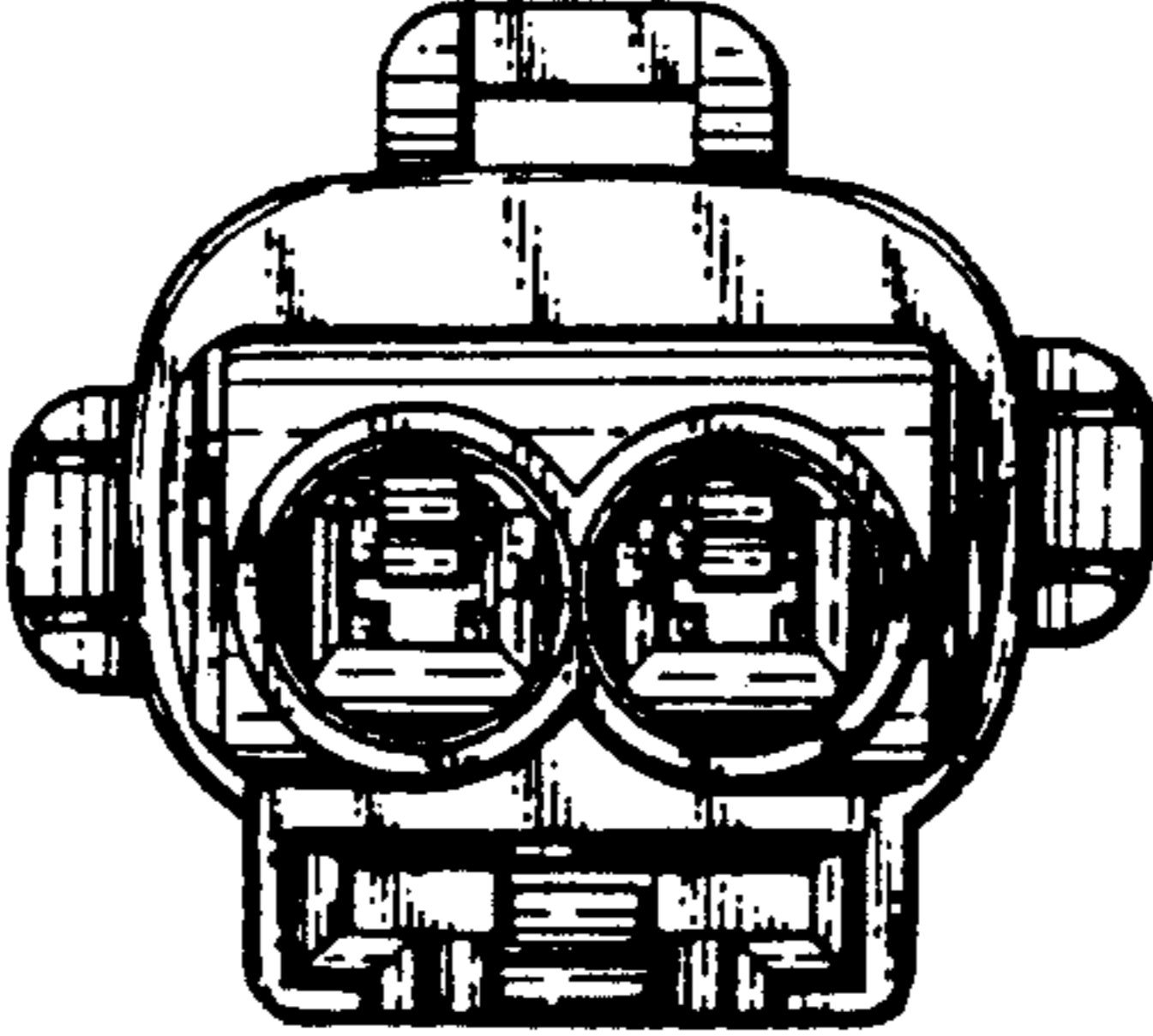


FIG. 7

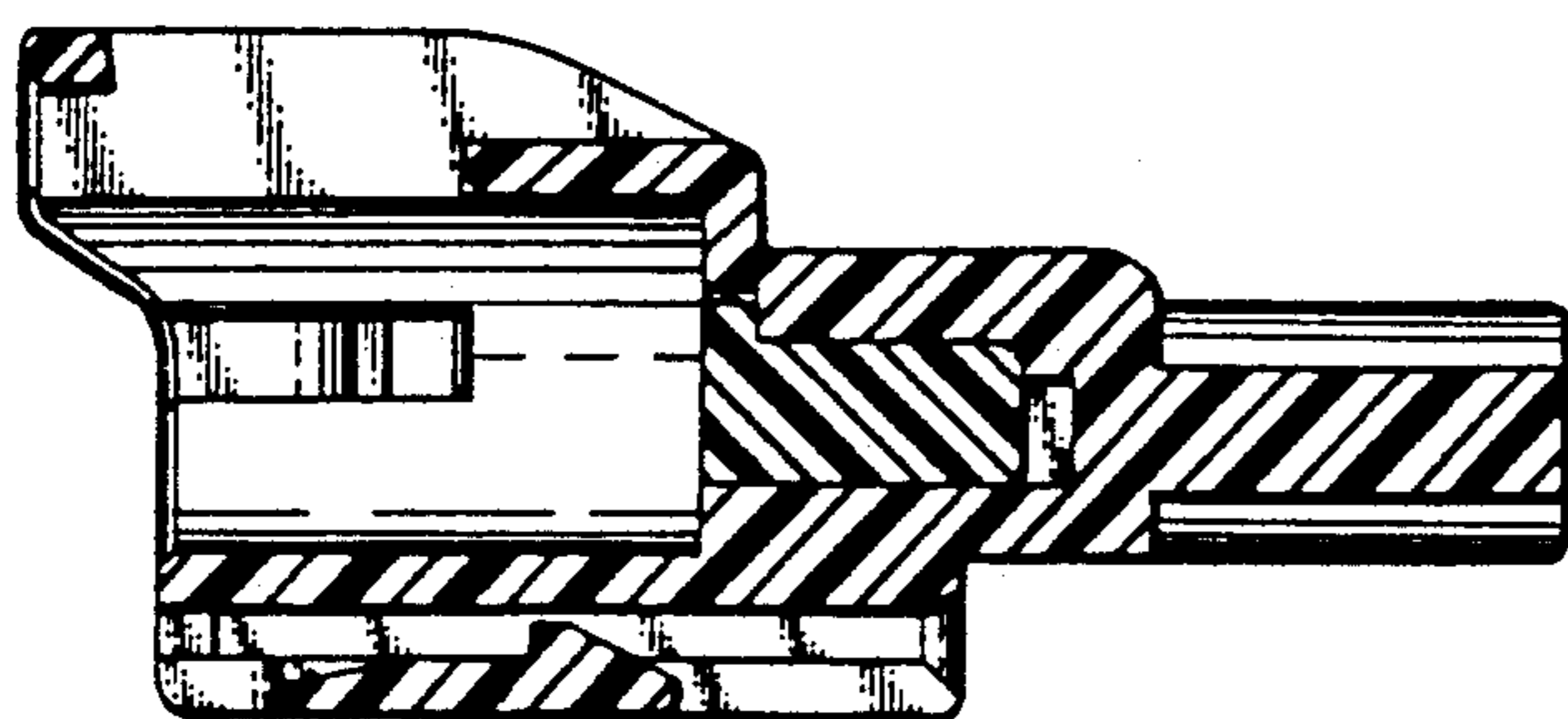


FIG. 9

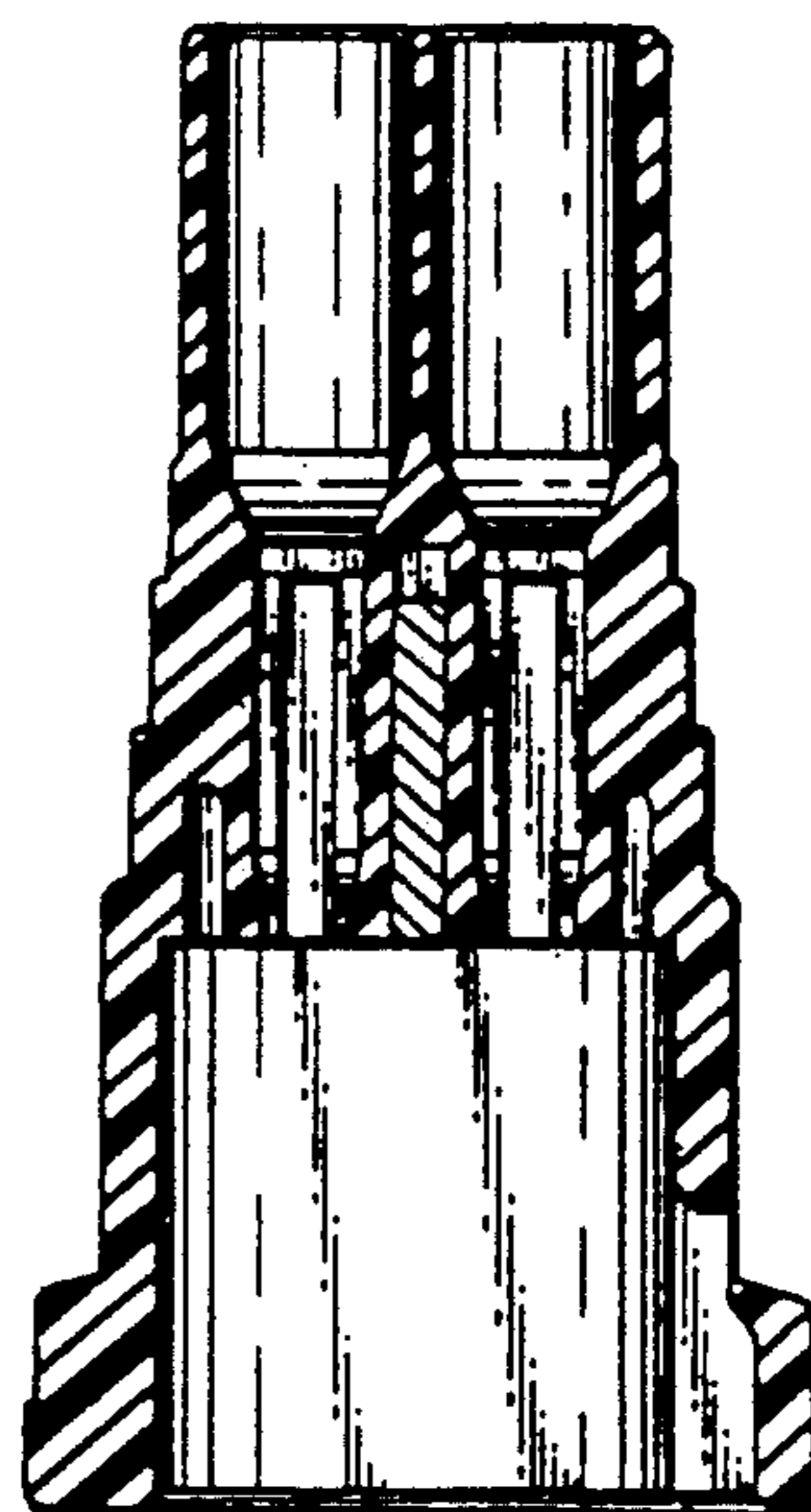
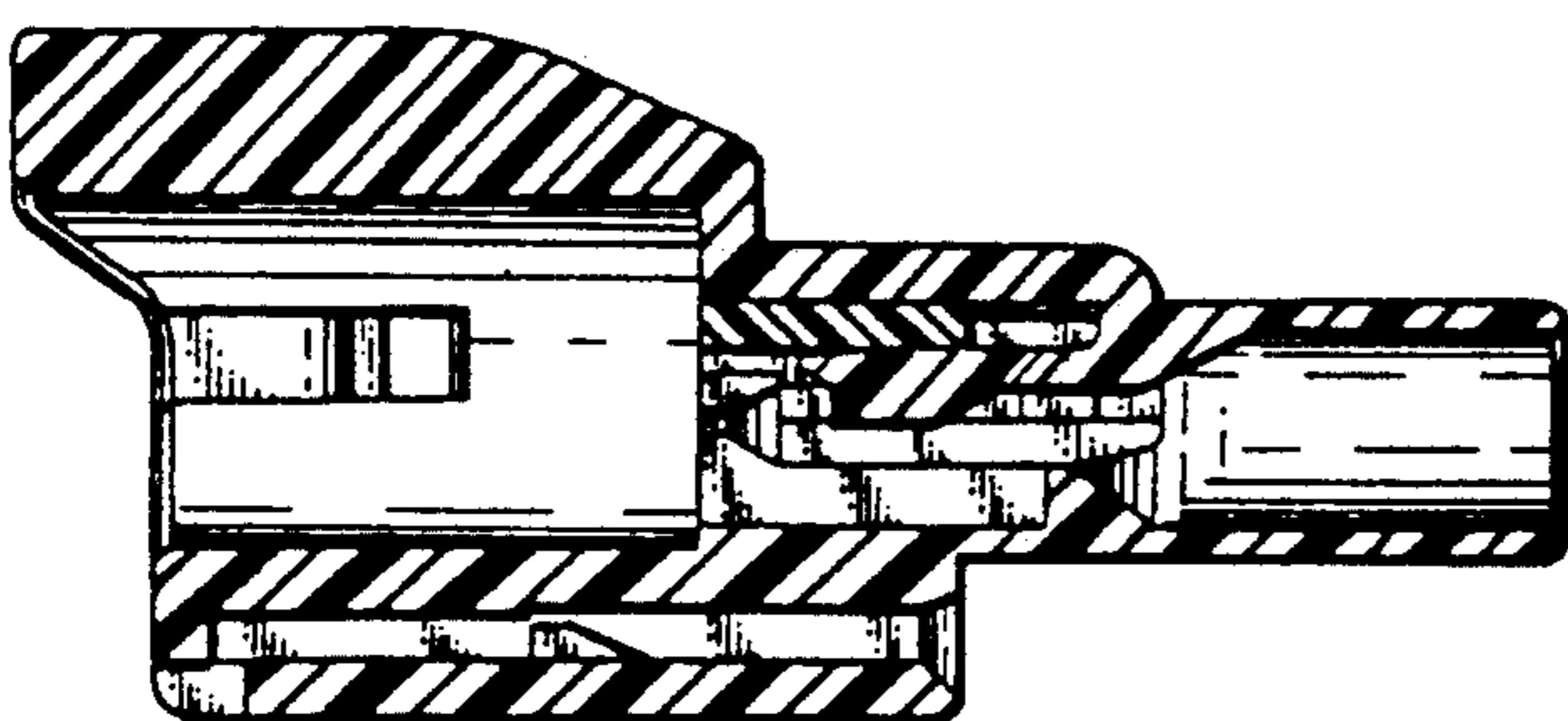


FIG. 8



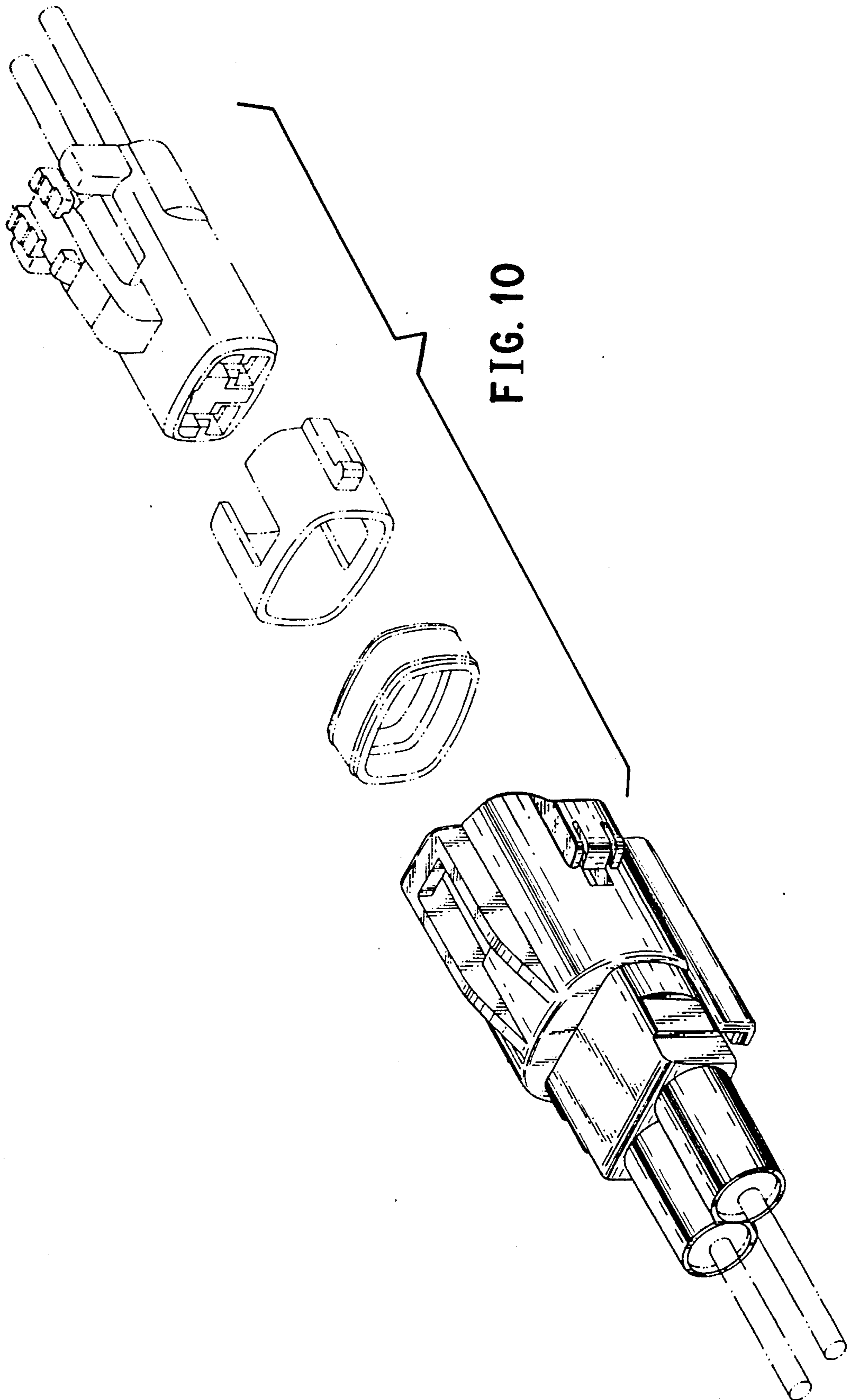


FIG. 10