



US00D324025S

United States Patent [19]

[11] Patent Number: **Des. 324,025**

Sueyoshi et al.

[45] Date of Patent: **** Feb. 18, 1992**

[54] **ELECTRICAL CONNECTOR HOUSING**

[75] Inventors: **Tadahiro Sueyoshi; Masanori Tsuji; Yoshihiro Murakami; Takayuki Yamamoto; Masaru Fukuda**, all of Shizuoka; **Hidetaka Okabe**, Toyota; **Yasuhiro Nagasaka**, Toyota; **Yasuo Hirayama**, Toyota, all of Japan

[73] Assignees: **Yazaki Corporation**, Tokyo; **Toyota Jidosha Kabushiki Kaisha**, Toyota, both of Japan

[**] Term: **14 Years**

[21] Appl. No.: **470,561**

[22] Filed: **Jan. 26, 1990**

[30] **Foreign Application Priority Data**

Jul. 31, 1989 [JP] Japan 1-28071

[52] U.S. Cl. **D13/133**

[58] Field of Search **D13/133, 146, 147; 439/248, 345, 350, 352, 353, 358, 544, 586, 587, 595, 596, 598, 600, 682, 752**

[56] **References Cited**

U.S. PATENT DOCUMENTS

- D. 294,142 2/1988 Kuwano et al. D13/146
- D. 310,994 10/1990 Yagi et al. D13/146
- D. 310,995 10/1990 Yamamoto D13/147
- D. 310,996 10/1990 Inaba et al. D13/146
- D. 311,518 10/1990 Kuzuno et al. D13/146

- D. 317,289 6/1991 Fukuda et al. D13/133
- D. 317,290 6/1991 Inaba et al. D13/133
- 4,772,229 9/1988 Nix et al. 439/752 X
- 4,915,643 4/1990 Samejima et al. D13/146 X

Primary Examiner—Susan J. Lucas

Assistant Examiner—J. Sincavage

[57] **CLAIM**

The ornamental design for an electrical connector housing, as shown and described.

DESCRIPTION

FIG. 1 is a top plan view of an electrical connector housing showing our new design;
 FIG. 2 is a front elevational view thereof;
 FIG. 3 is a bottom plan view thereof;
 FIG. 4 is a right side elevational view thereof, the left side elevational view thereof being a mirror image;
 FIG. 5 is a rear elevational view thereof;
 FIG. 6 is a cross-sectional view thereof taken along line 6—6 of FIG. 2;
 FIG. 7 is a cross-sectional view thereof taken along line 7—7 of FIG. 2;
 FIG. 8 is a front and upper right perspective view thereof with the terminal retainer removed; and
 FIG. 9 is a cross-sectional view thereof taken along line 8—8 of FIG. 2 looking in the opposite direction and showing the housing in use.

The broken line showing of the conductors, terminals and the corresponding housing is included for the purpose of illustrating environmental elements only and forms no part of the claimed design.

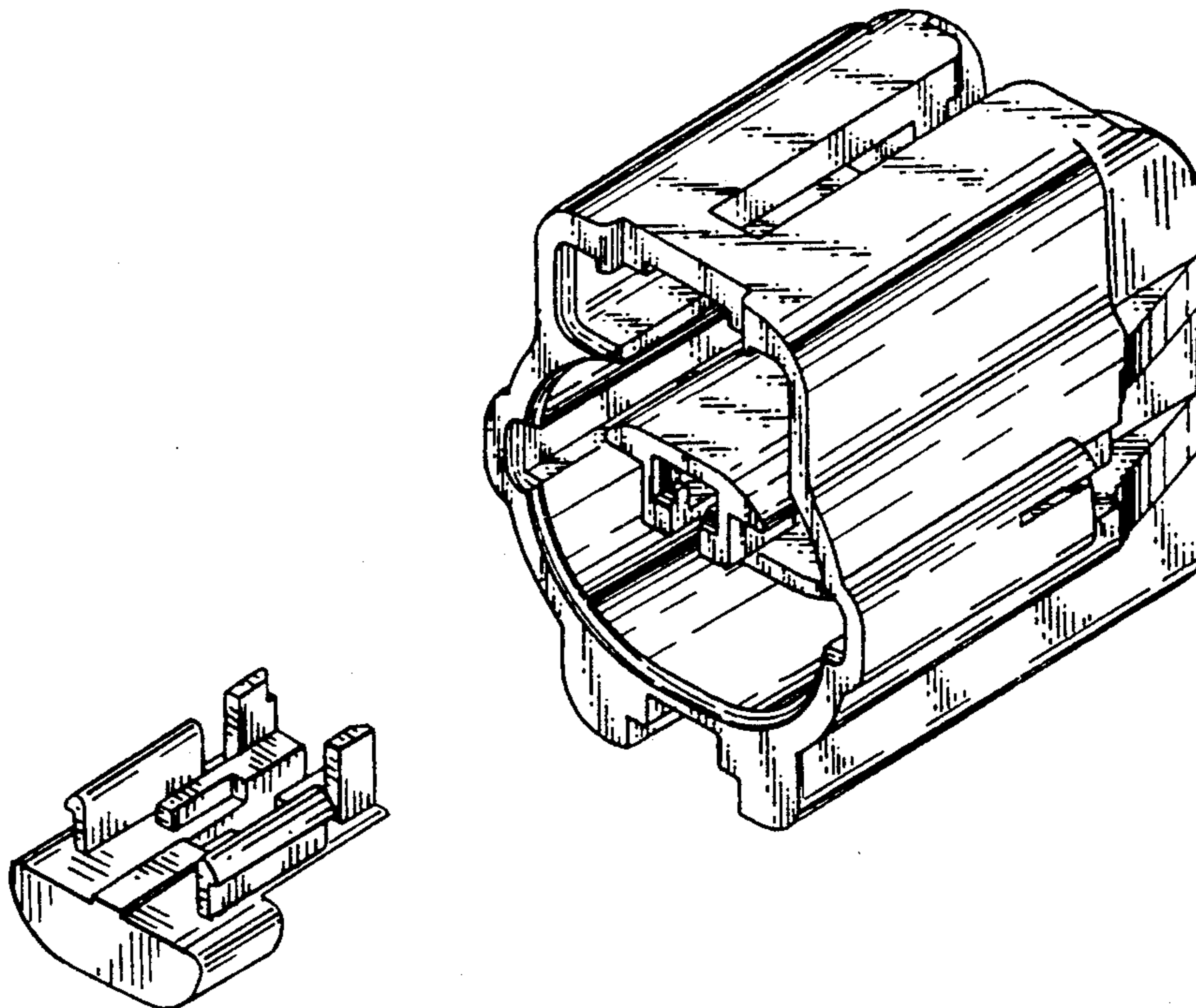


FIG. 1

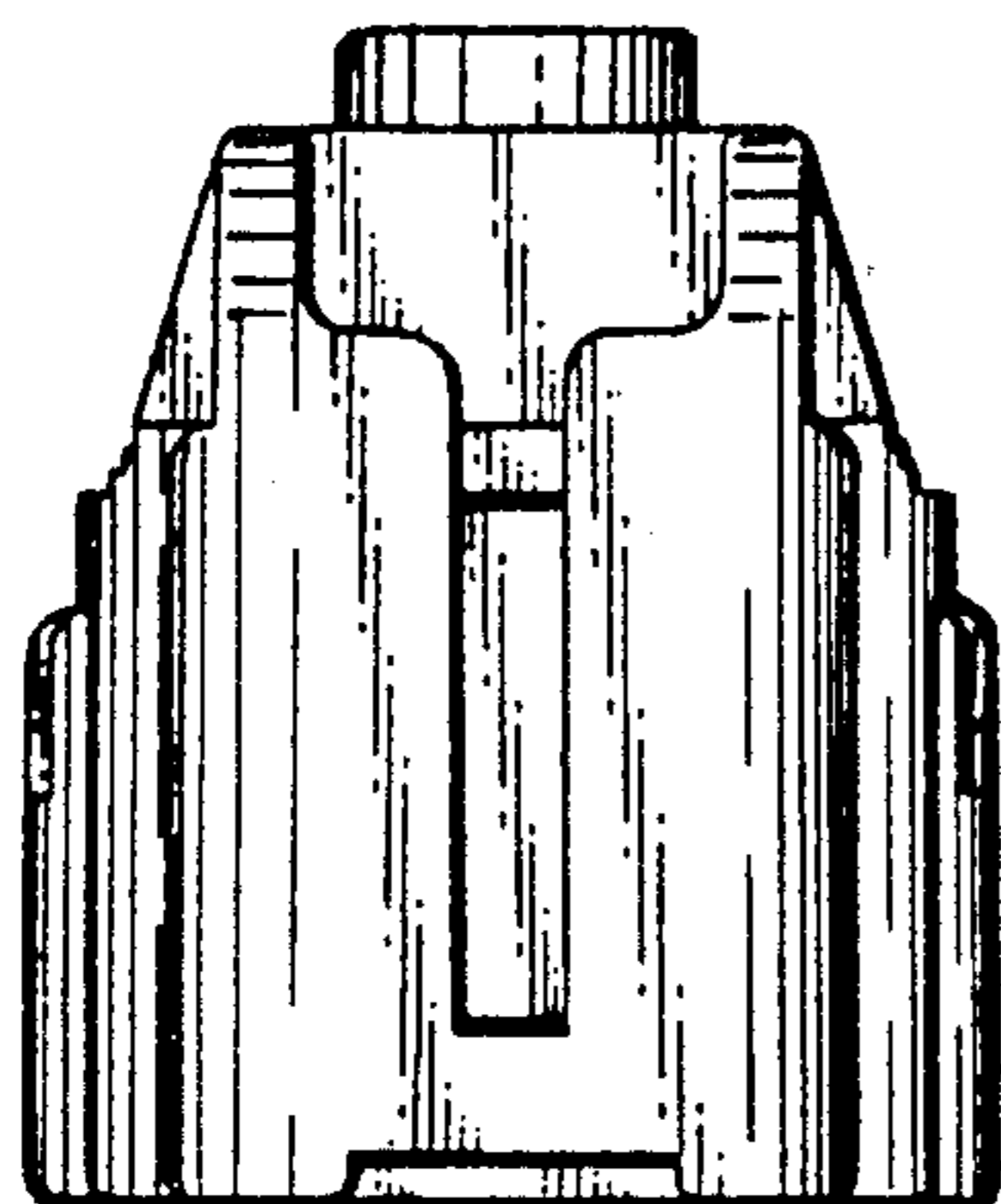


FIG. 3

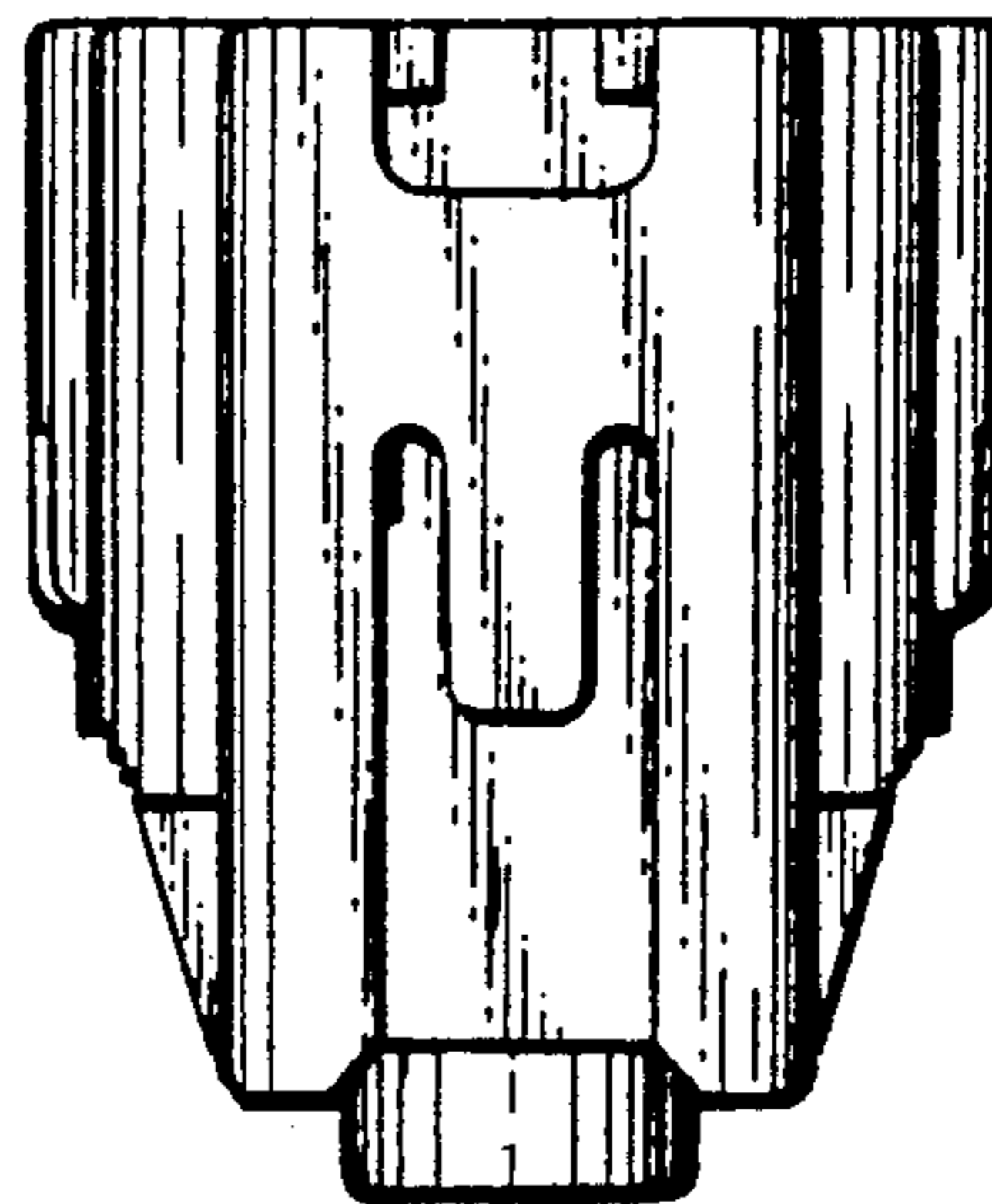


FIG. 2

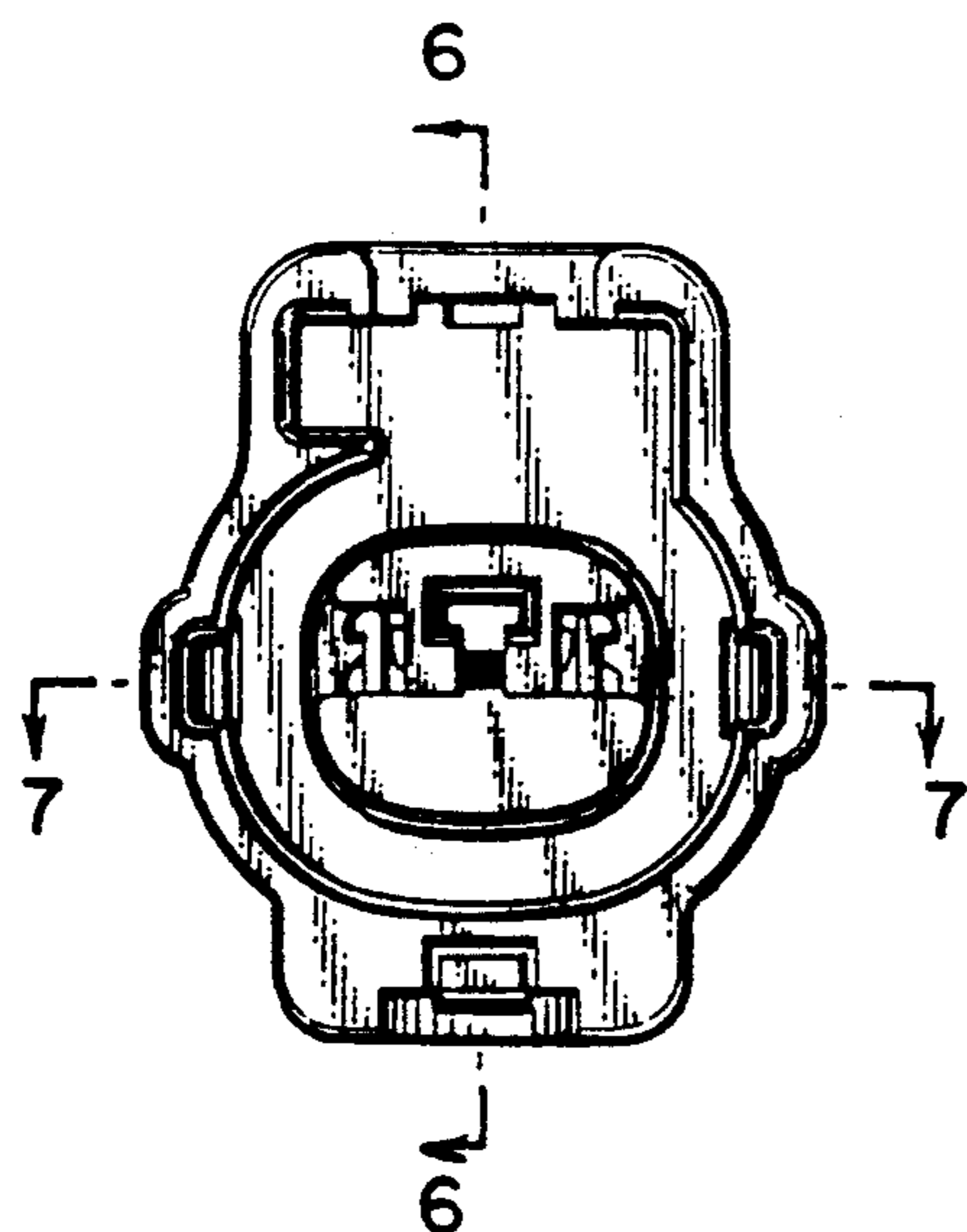


FIG. 4

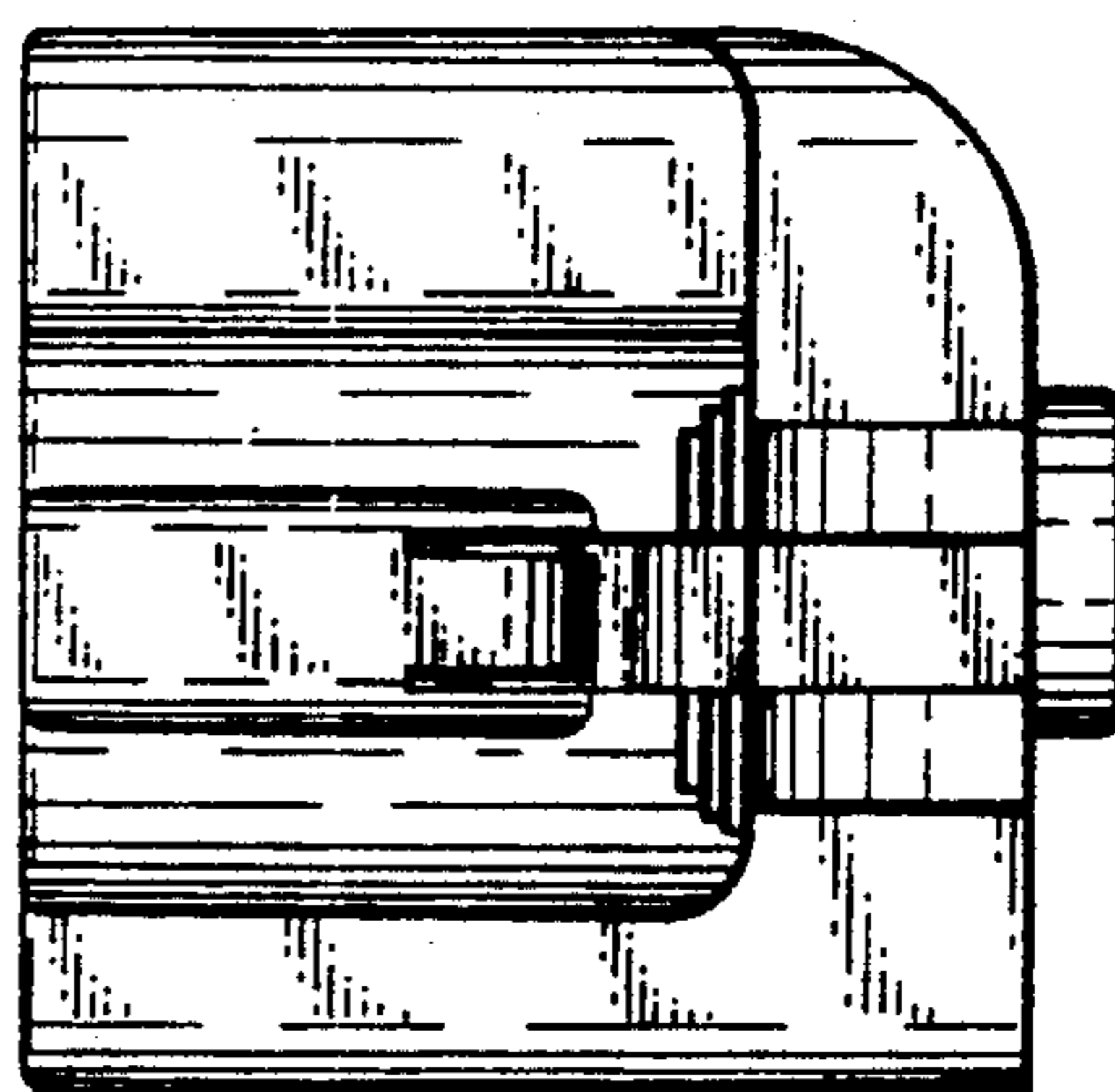


FIG. 5

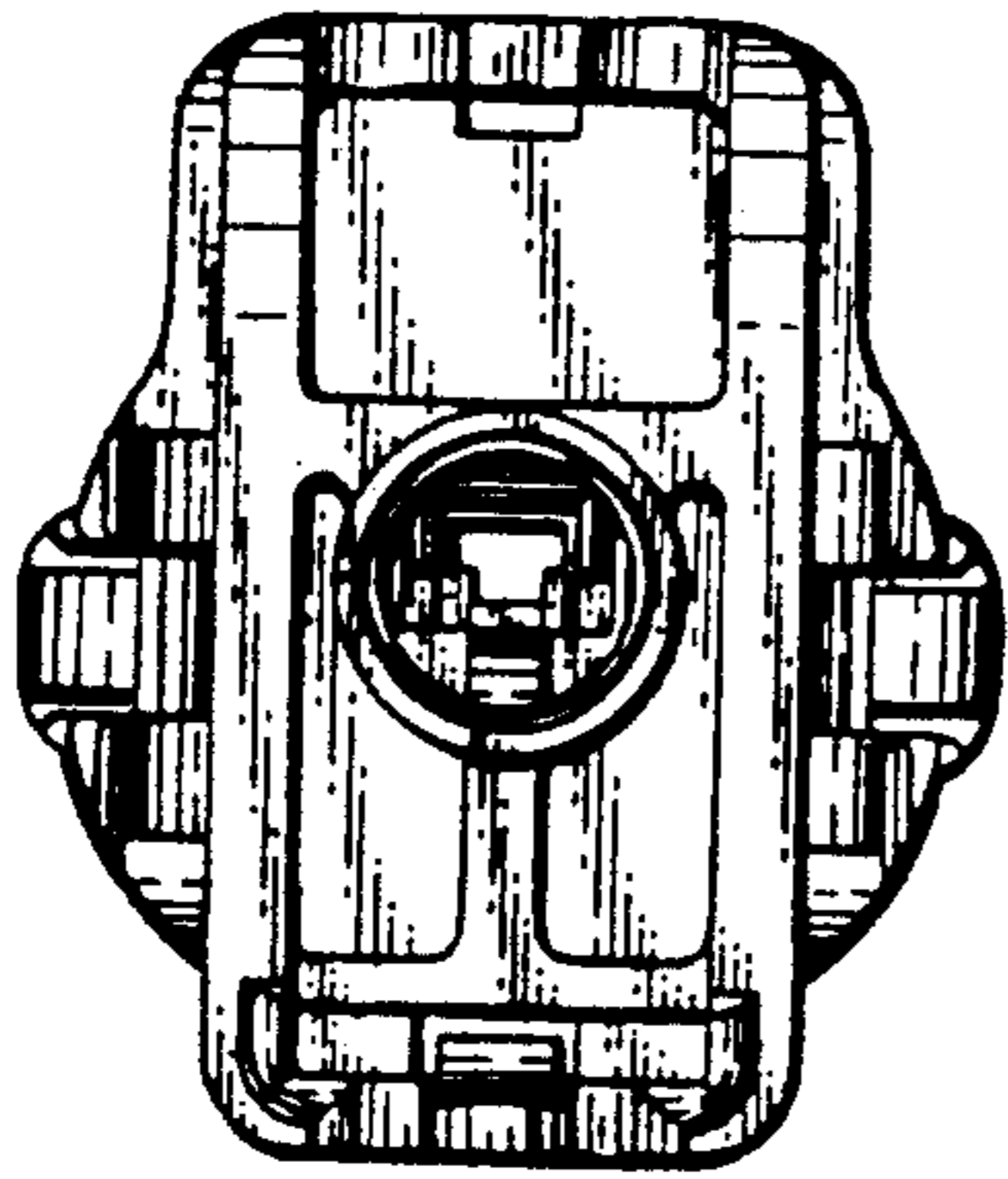


FIG. 6

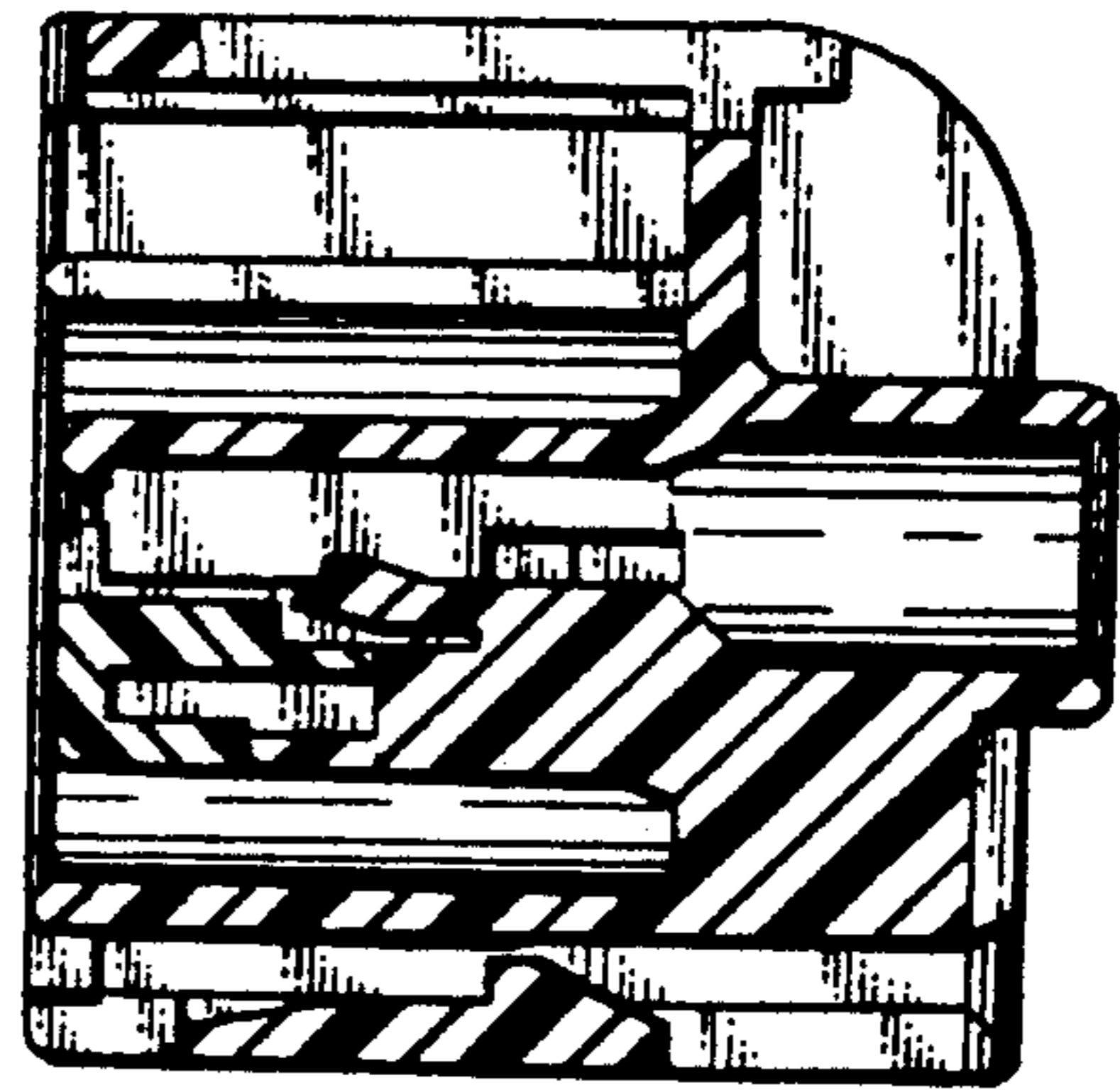


FIG. 7

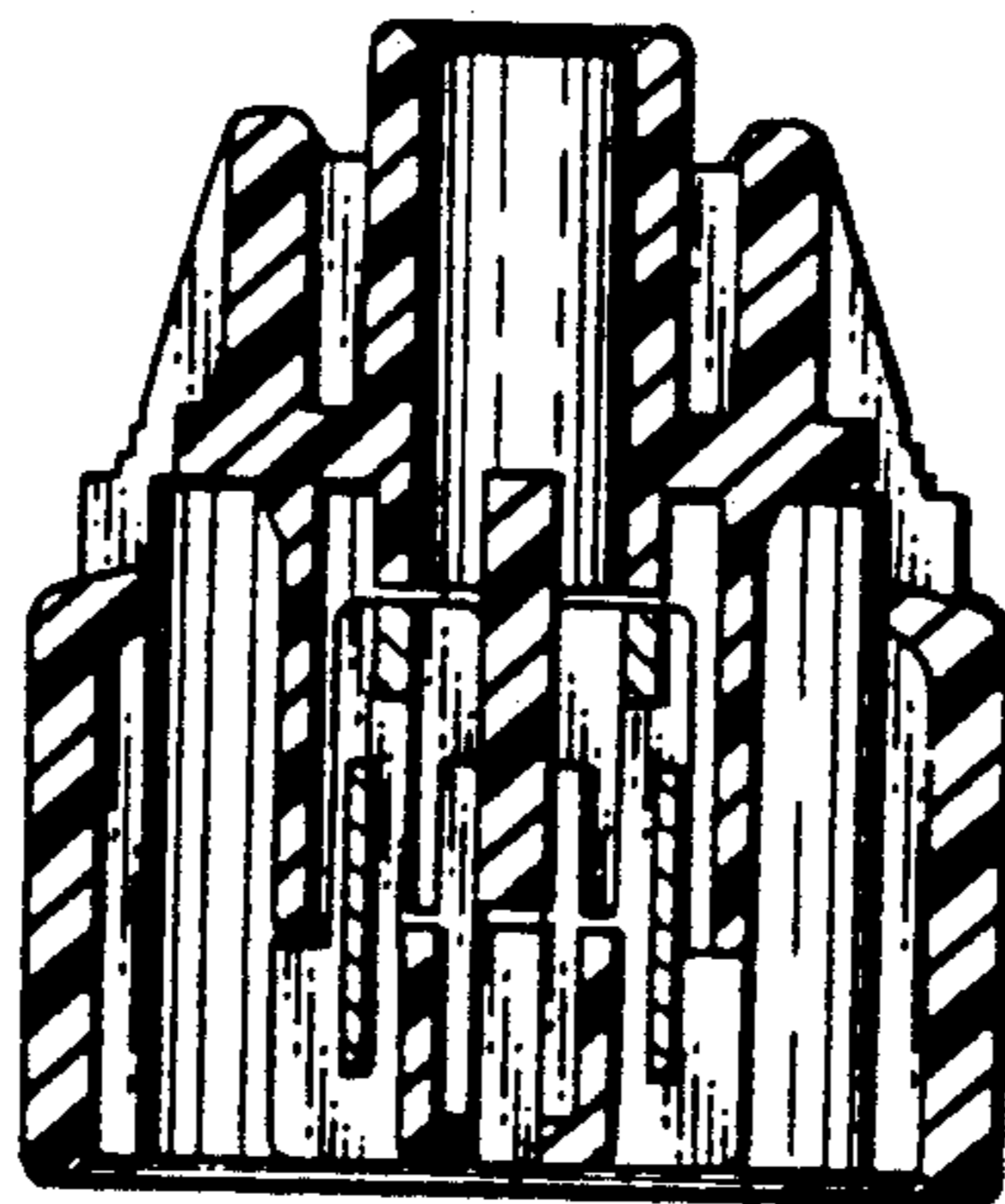


FIG. 8

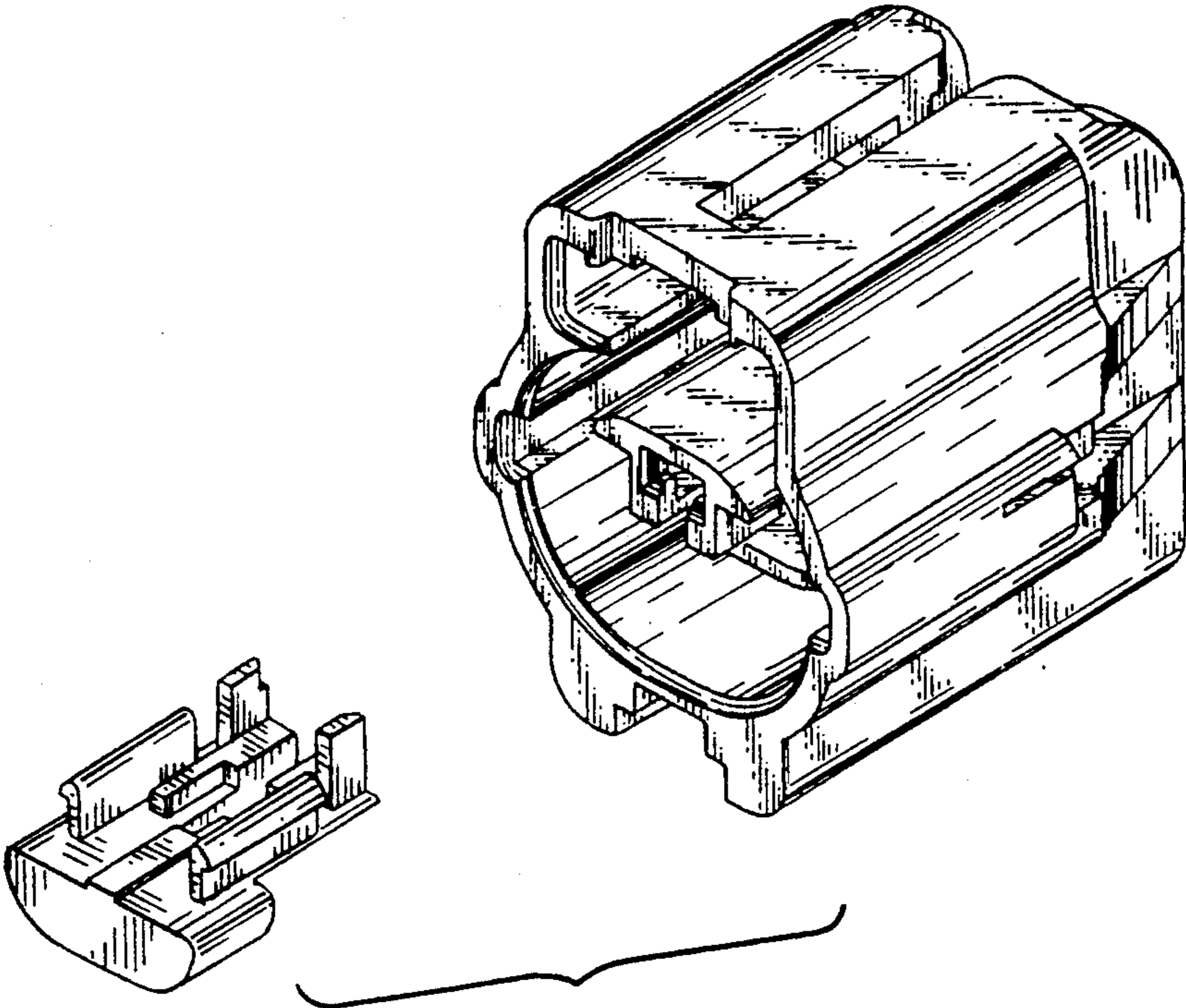


FIG. 9

