



US00D324019S

# United States Patent [19]

[11] Patent Number: **Des. 324,019**

**Bailey**

[45] Date of Patent: **\*\* Feb. 18, 1992**

[54] **BUMPER STEP**

2,878,078 3/1959 Moultrod ..... 182/150  
4,495,883 1/1985 Hoy ..... 182/150

[76] Inventor: **Mansel M. Bailey**, 208 N. Willow,  
Sugar Creek, Mo. 64053

*Primary Examiner*—James M. Gandy  
*Attorney, Agent, or Firm*—D. A. N. Chase; Joan Ootican  
Herman

[\*\*] Term: **14 Years**

[21] Appl. No.: **196,456**

[57] **CLAIM**

The ornamental design for a bumper step, as shown.

[22] Filed: **May 20, 1988**

[52] U.S. Cl. .... **D12/203**

[58] Field of Search ..... **D12/203; D25/62, 68,  
D25/69; 280/153, 164.2, 166; 182/53, 54, 55,  
57, 59, 92, 127, 150, 228**

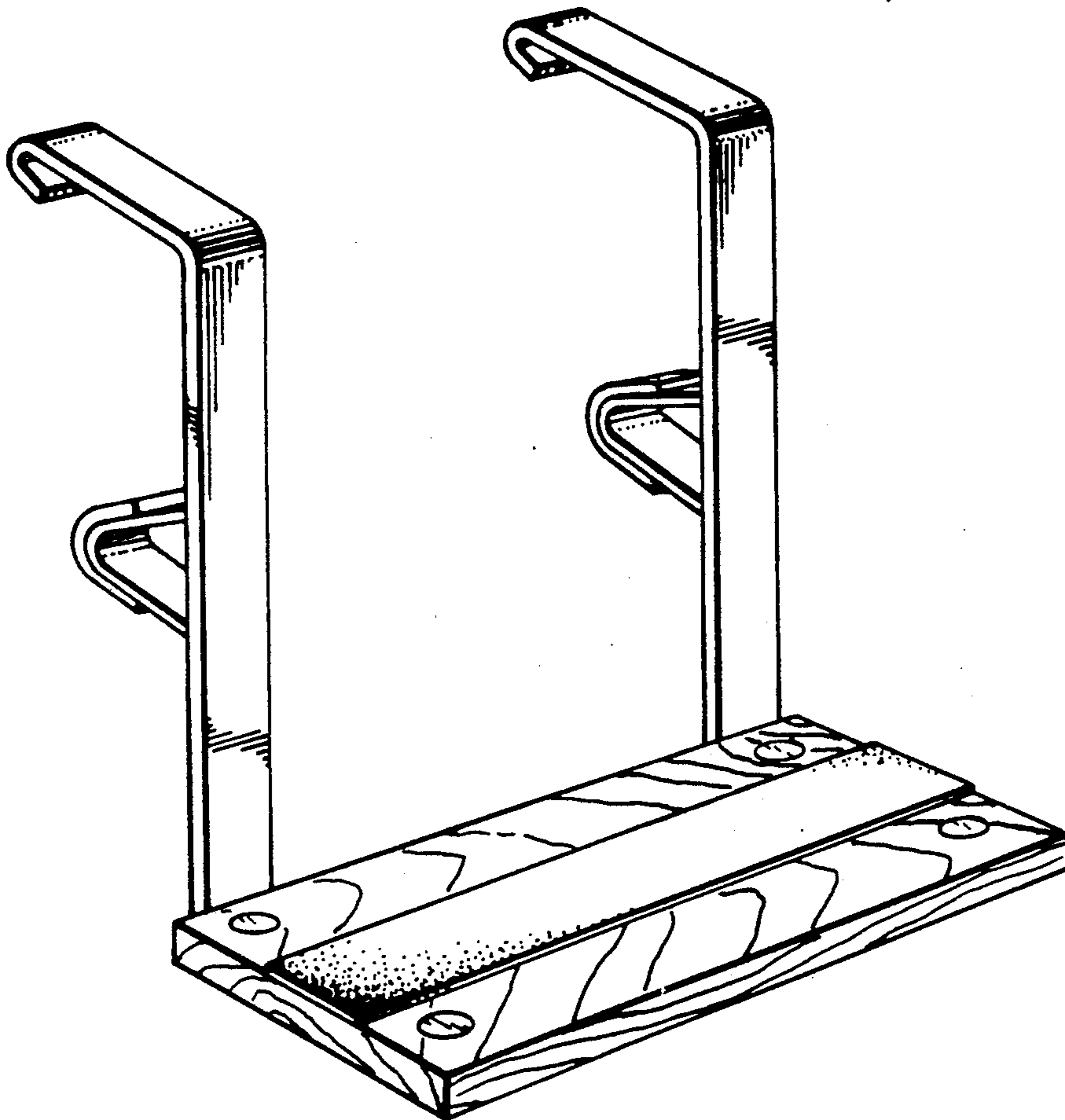
**DESCRIPTION**

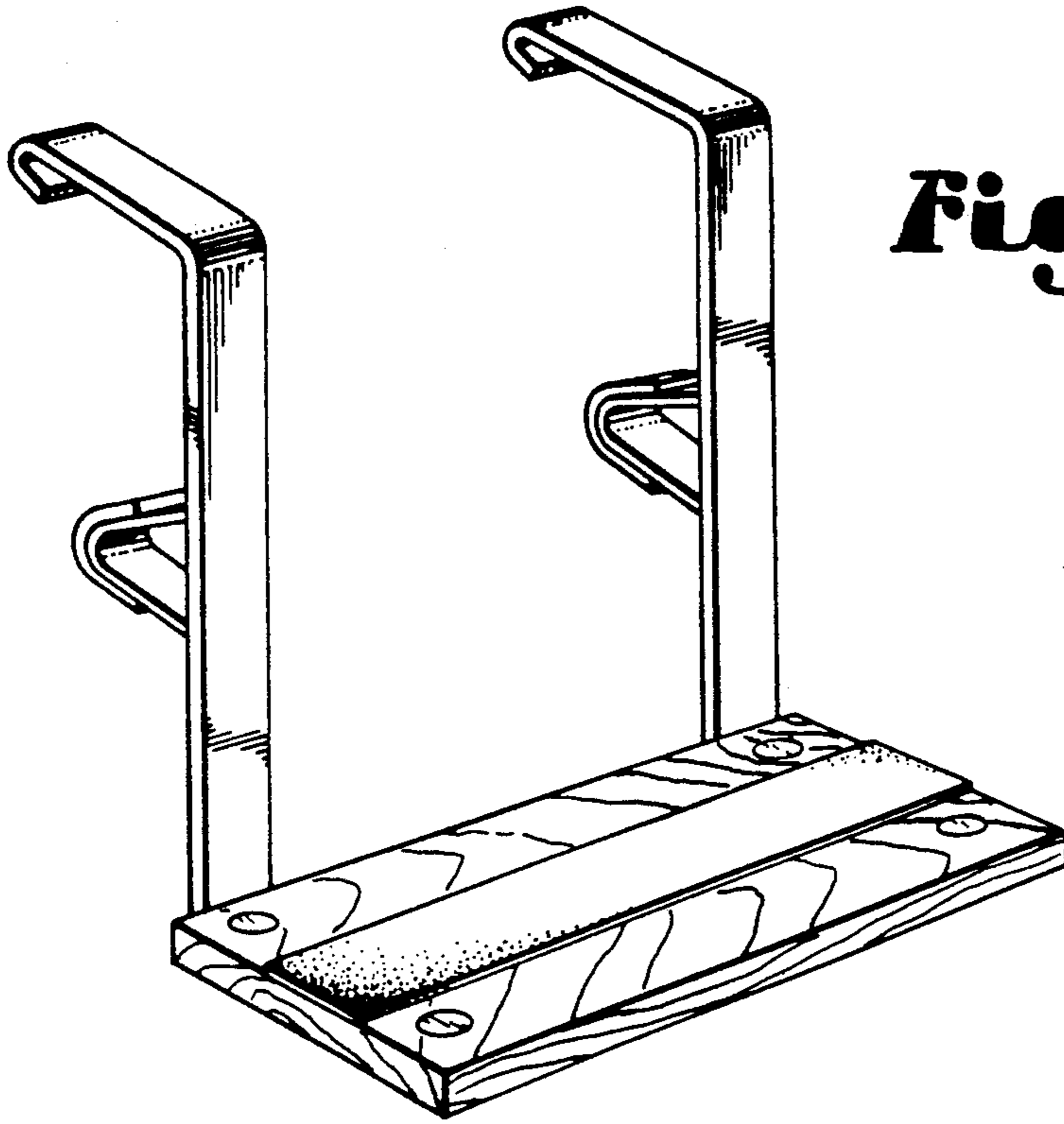
FIG. 1 is a perspective view of a bumper step showing my new design;  
FIG. 2 is a side elevational view thereof;  
FIG. 3 is a front elevational view thereof;  
FIG. 4 is a top plan view thereof;  
FIG. 5 is a rear elevational view thereof; and  
FIG. 6 is a bottom plan view thereof.

[56] **References Cited**

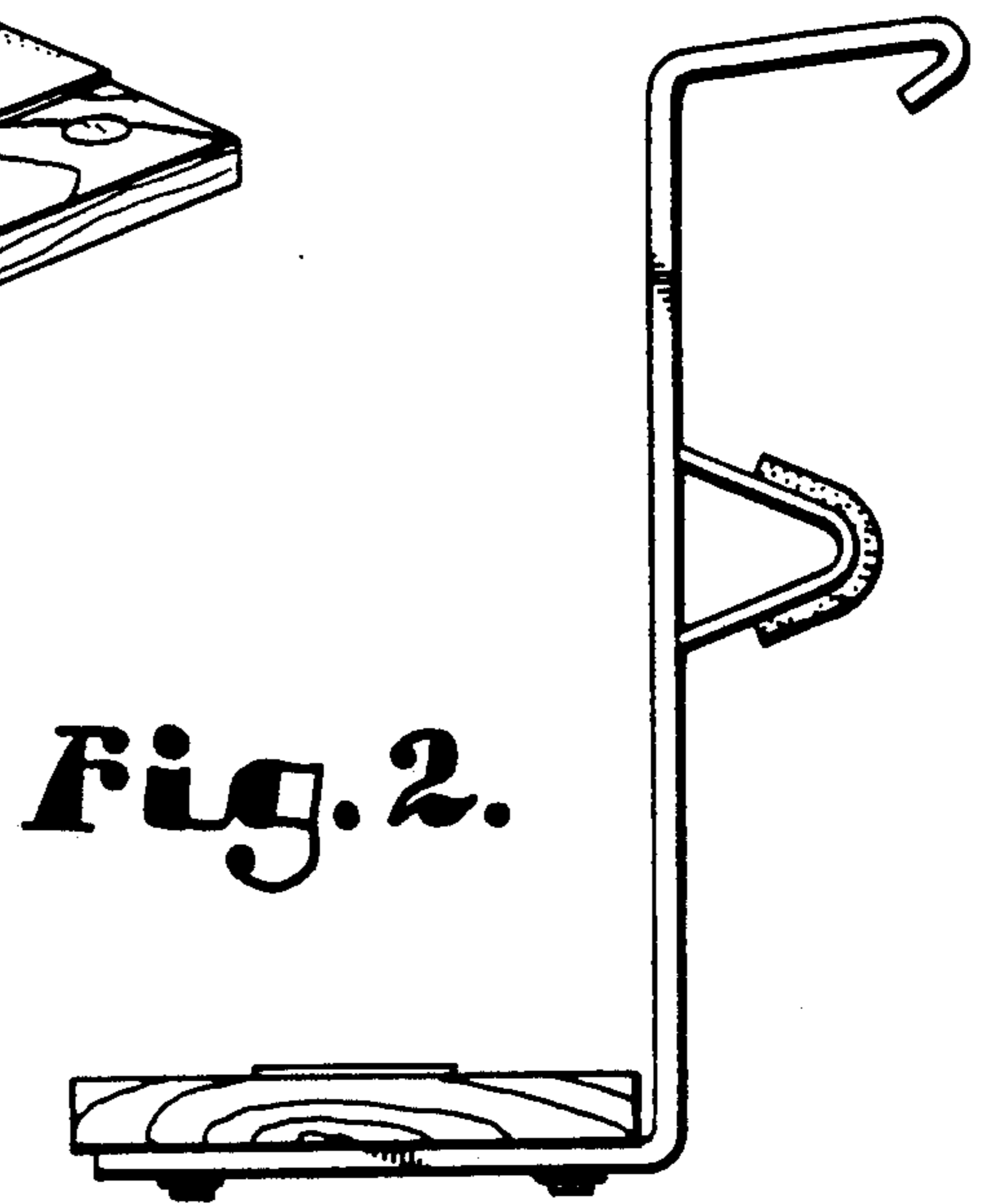
**U.S. PATENT DOCUMENTS**

2,378,678 6/1945 Anderson ..... 182/150

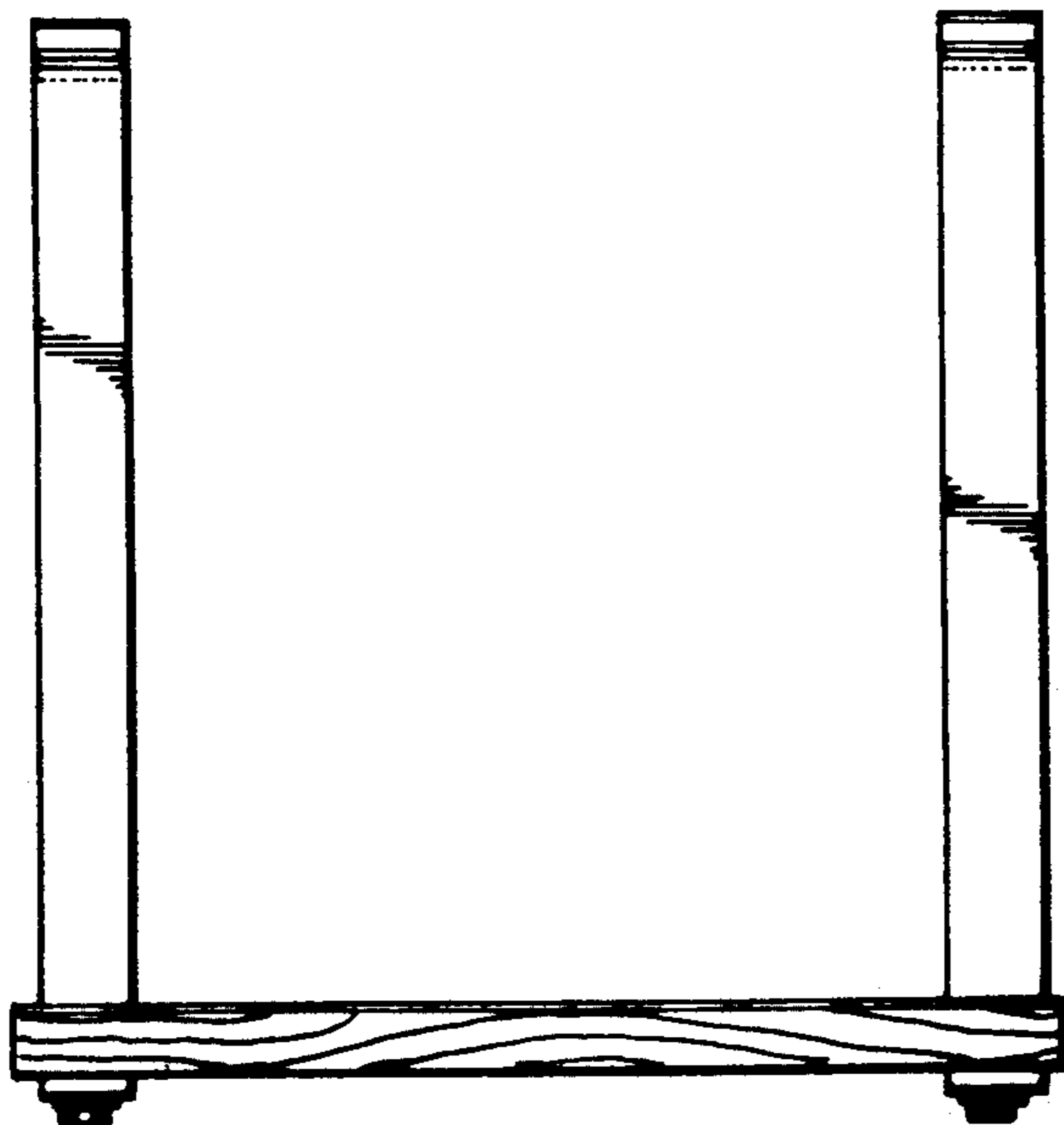




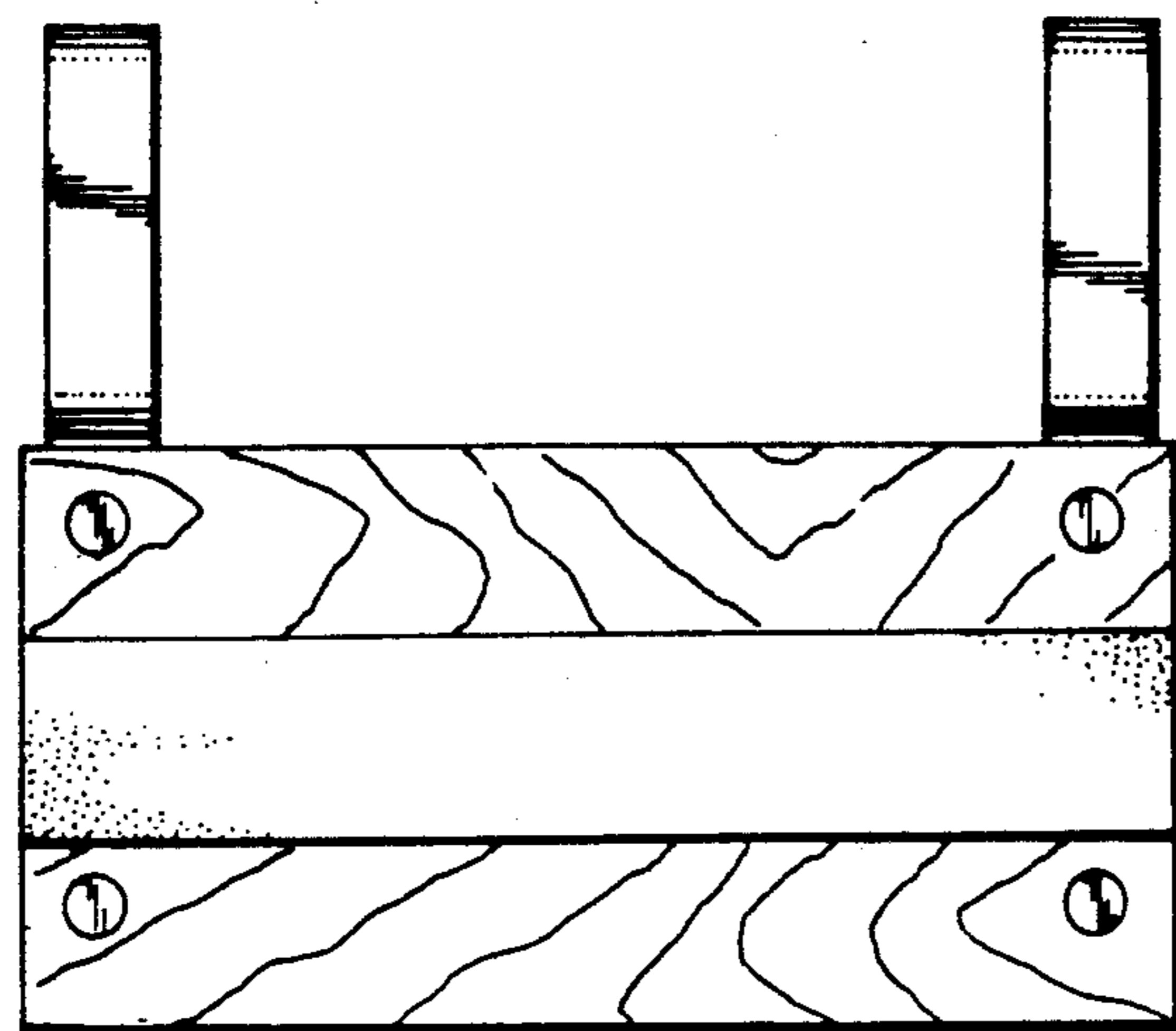
**Fig. 1.**



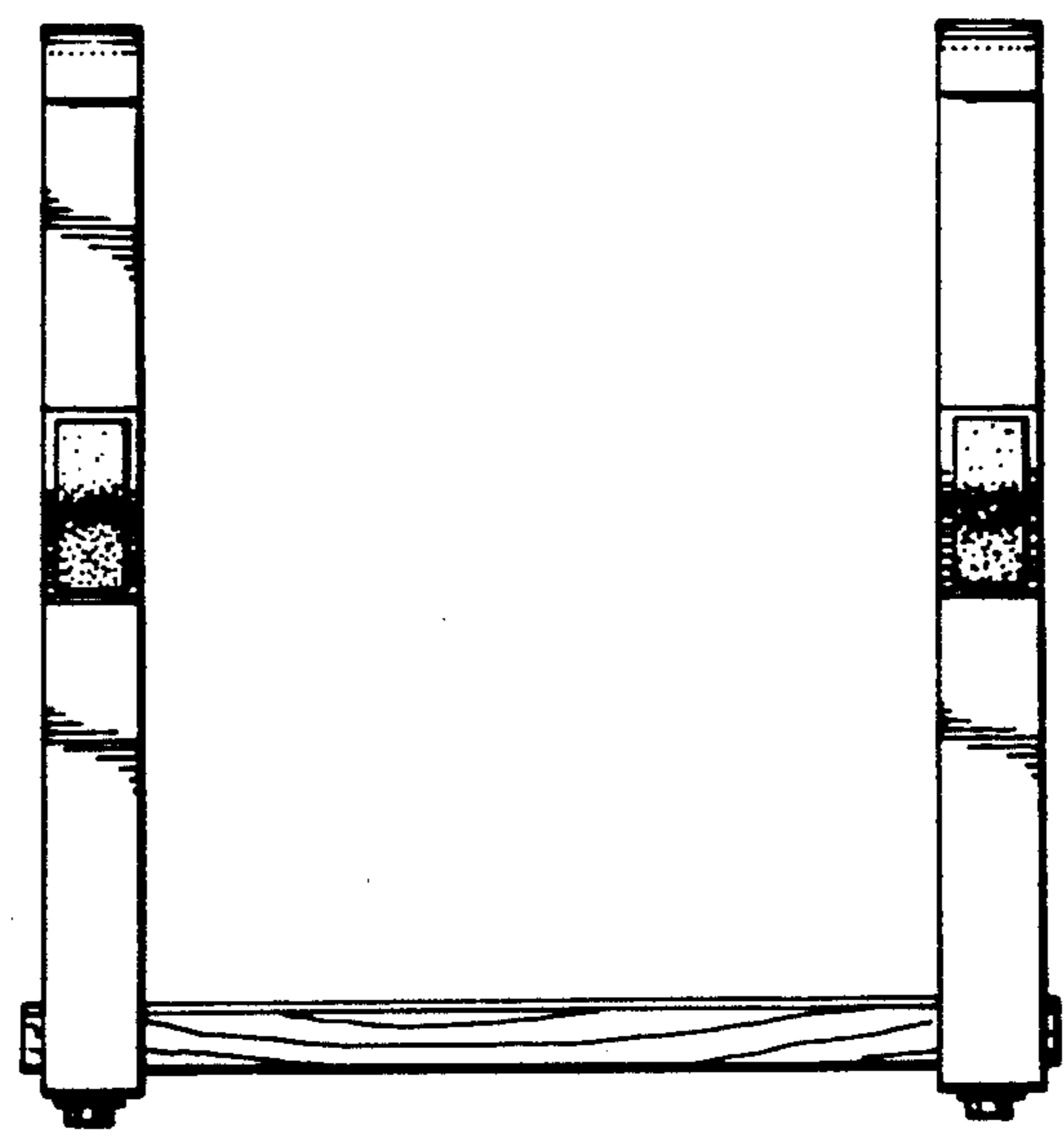
**Fig. 2.**



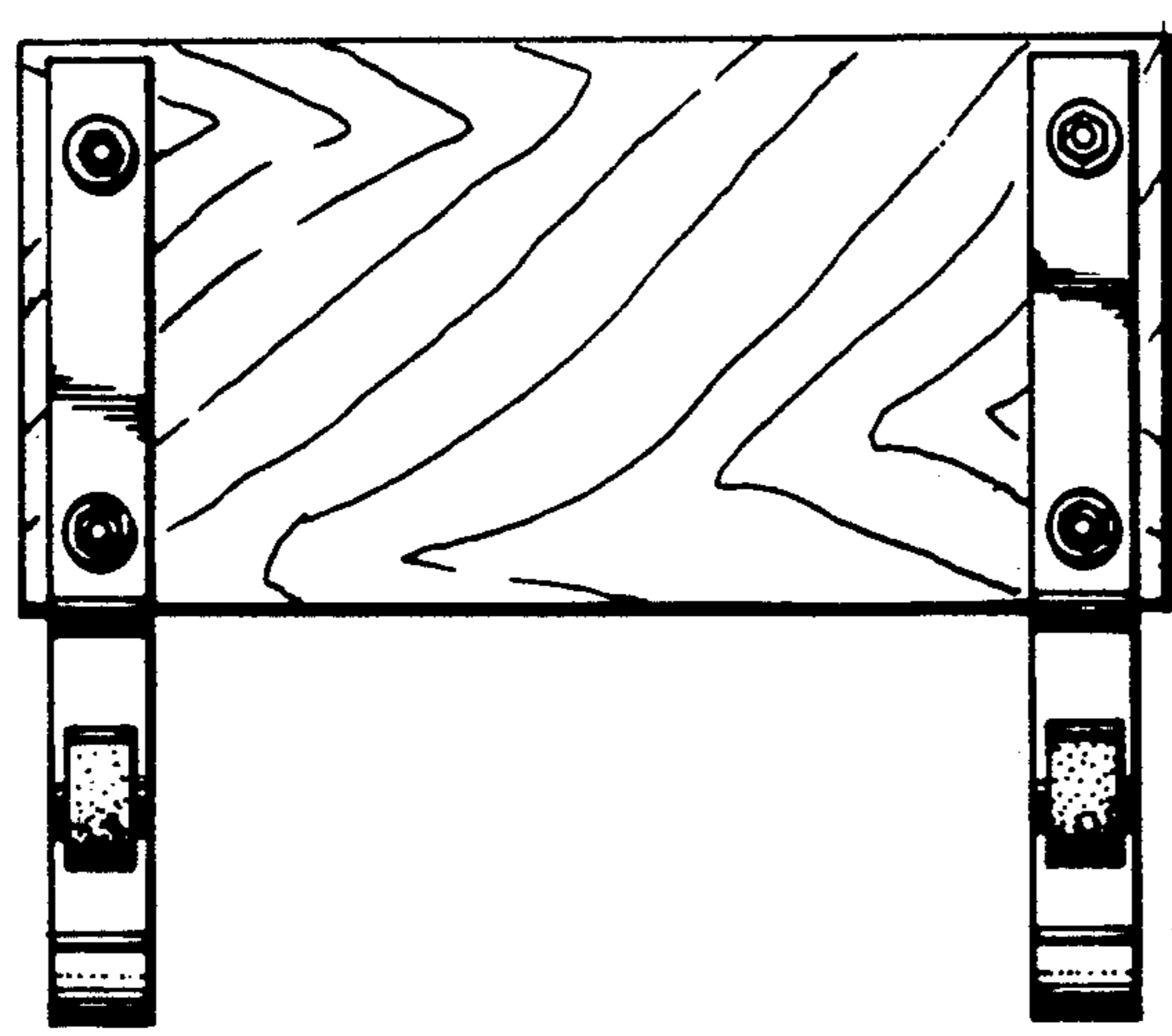
**Fig. 3.**



*Fig. 4.*



*Fig. 5.*



*Fig. 6.*