



US00D324017S

United States Patent [19]

[11] Patent Number: **Des. 324,017**

Malmgren et al.

[45] Date of Patent: **** Feb. 18, 1992**

[54] REAR BUMPER FOR AN AUTOMOBILE

[75] Inventors: **Rolf A. Malmgren**, Västra Frölunda;
Frans G. Falck, Torslanda, both of
Sweden

[73] Assignee: **Aktiebolaget Volvo**, Goteborg,
Sweden

[**] Term: **14 Years**

[21] Appl. No.: **368,535**

[22] Filed: **Jun. 20, 1989**

[52] U.S. Cl. **D12/169**

[58] Field of Search **D12/169; 293/102, 120**

[56] References Cited

U.S. PATENT DOCUMENTS

D. 291,677 9/1987 Everts D12/169
4,917,434 4/1990 Sumitani 293/102

OTHER PUBLICATIONS

Motor Trend, 1/88, p. 18, Rear Bumper on Raneer
Rover Vehicle, top left side of page.

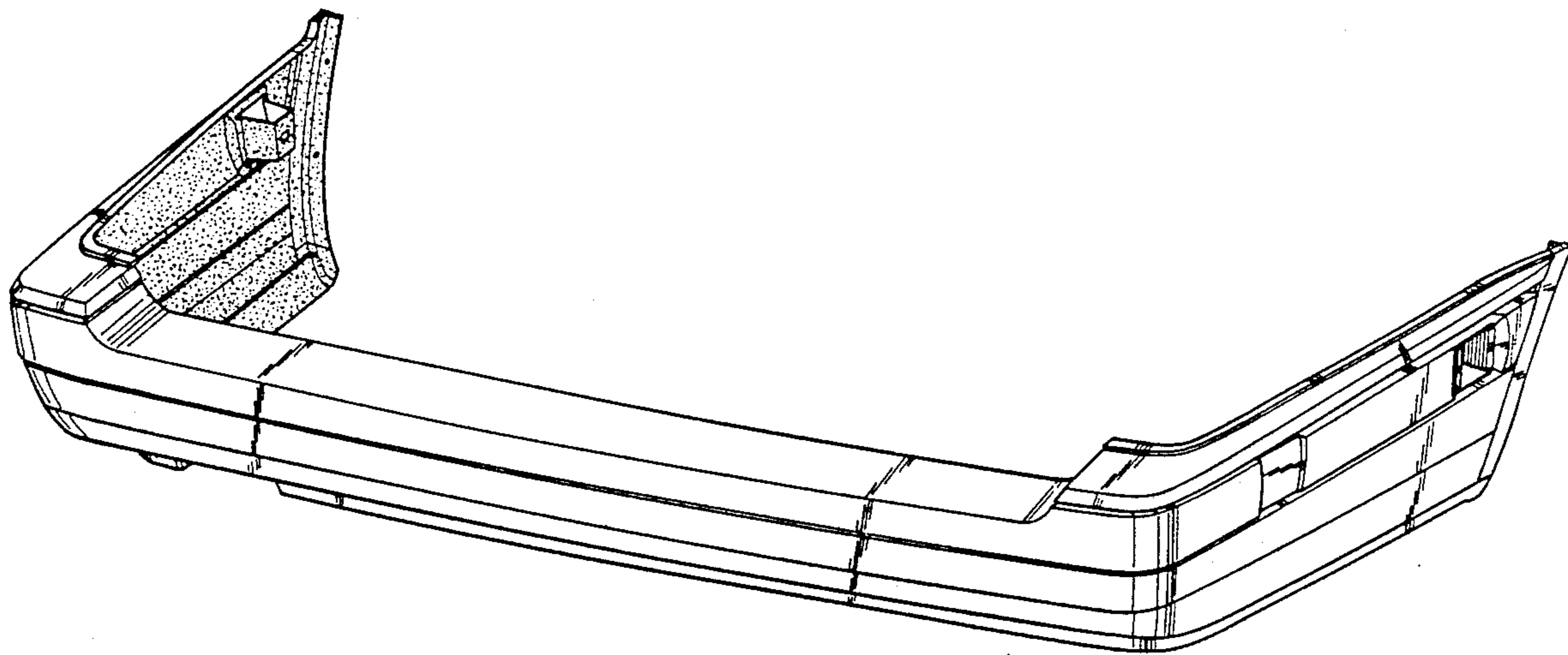
Primary Examiner—James M. Gandy
Attorney, Agent, or Firm—Young & Thompson

[57] CLAIM

The ornamental design for a rear bumper for an auto-
mobile as shown and described.

DESCRIPTION

FIG. 1 is a front elevational view of a rear bumper for
an automobile showing our new design;
FIG. 2 is a right side elevational view thereof;
FIG. 3 is a top plan view thereof; and
FIG. 4 is a front perspective view thereof showing also
the rear side of the right side wing thereof.
The rear side of the left wing thereof is the mirror image
of the rear side of the right side wing and the rear side
of the front panel is the reverse image of the front side
thereof.



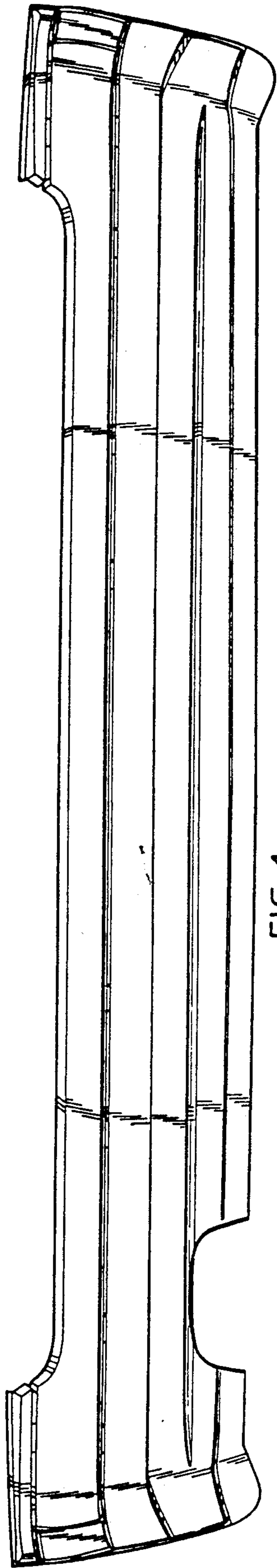


FIG. 1

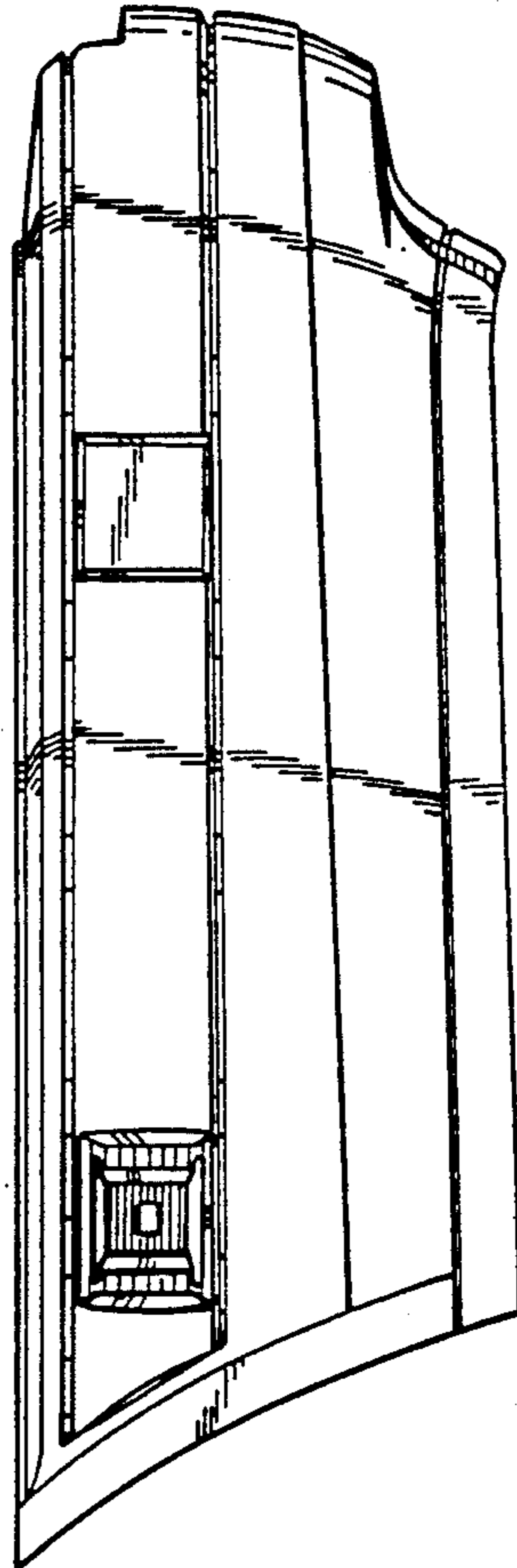


FIG. 2

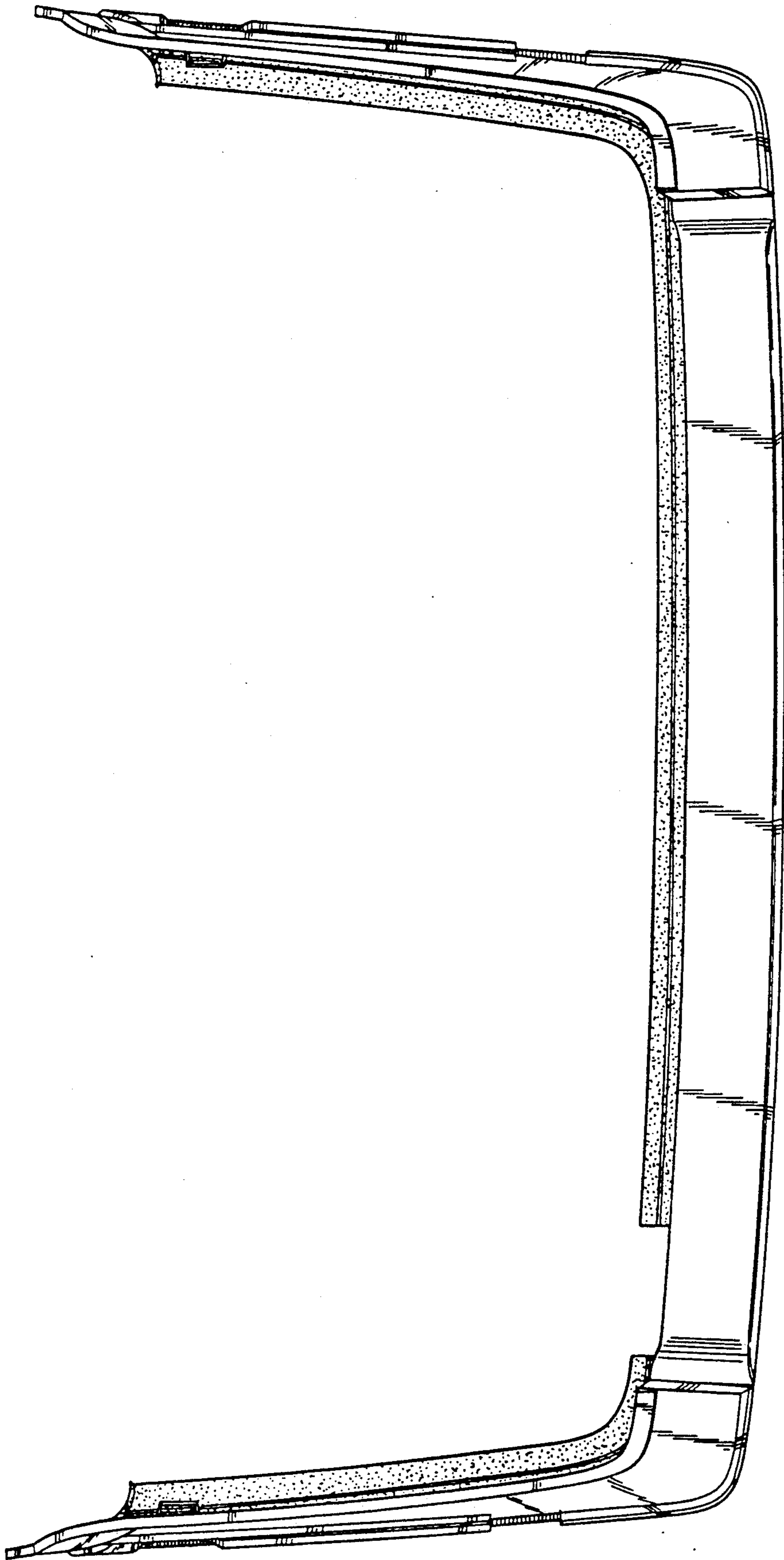


FIG. 3

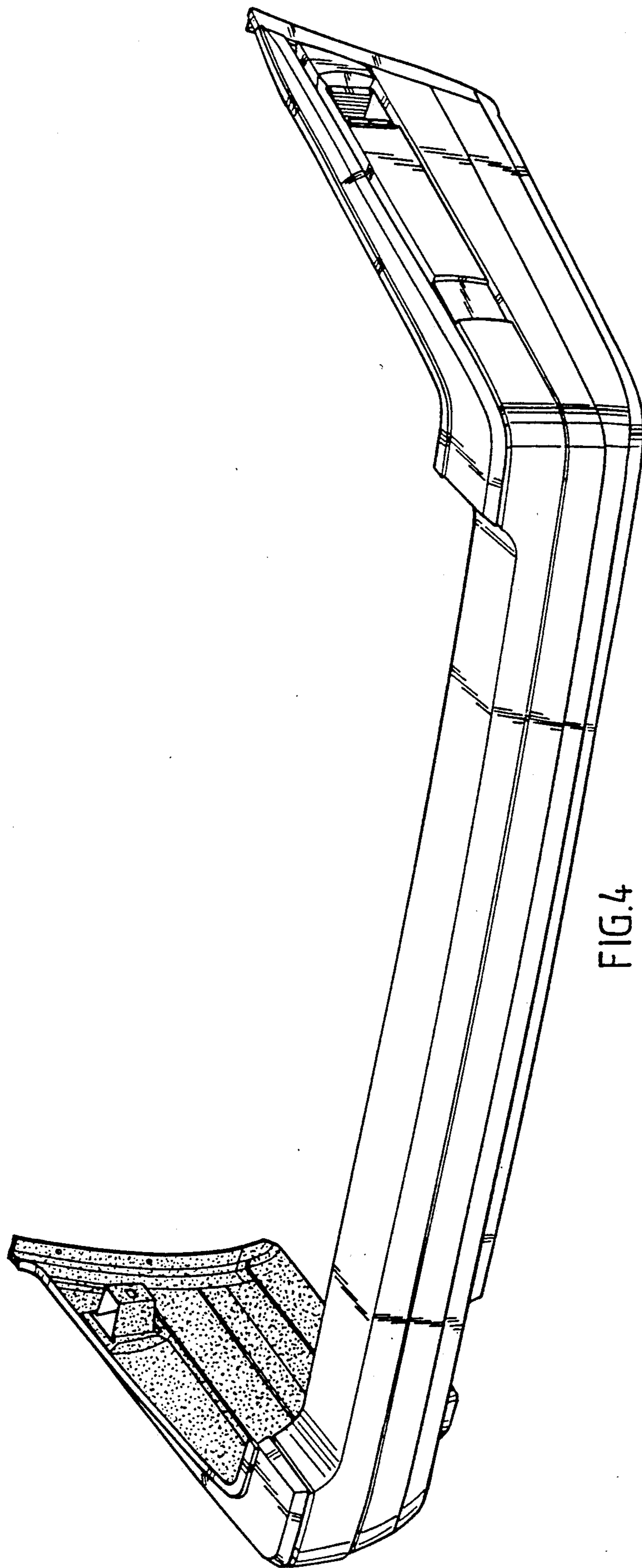


FIG. 4