



US00D324012S

United States Patent [19]

[11] Patent Number: **Des. 324,012**

Janczak

[45] Date of Patent: **** Feb. 18, 1992**

[54] **TIRE**

[75] Inventor: **Richard T. Janczak, Greer, S.C.**

[73] Assignee: **Michelin Recherche et Technique, Switzerland**

[*] Notice: The portion of the term of this patent subsequent to Feb. 18, 2006 has been disclaimed.

[**] Term: **14 Years**

[21] Appl. No.: **476,294**

[22] Filed: **Feb. 7, 1990**

[52] U.S. Cl. **D12/147**

[58] Field of Search **D12/141-143, D12/145-151; 152/209 R, 209 D**

[56] **References Cited**

U.S. PATENT DOCUMENTS

D. 288,307	2/1987	Ono	D12/146
D. 291,429	8/1987	Messer	D12/147
D. 291,792	9/1987	Clemens	D12/147
D. 292,085	9/1987	Hatakenaka	D12/147
D. 294,239	2/1988	Graas	D12/146
D. 294,929	3/1988	Clemens	D12/147
D. 299,712	2/1989	Slagh	D12/147
D. 303,945	10/1989	Tsuda et al.	D12/147

OTHER PUBLICATIONS

1989 Tread Design Guide, p. 24, Cornell 800 (P) tire, second tire in from bottom left side of page.

1989 Tread Design Guide, p. 25, Dayton Quadra XT2 (P) tire, bottom left side of page.

1989 Tread Design Guide, p. 30, Dunlop qualifier M & S Radial tire, second tire in from bottom right side of page.

1989 Tread Design Guide, p. 49, Marshal Powermax 764-60/65 (P) tire, second tire in from top right side of page.

1989 Tread Design Guide, p. 78, Vredestein Sprint T70 P tire, third row down from top & second tire in from right side of page.

Primary Examiner—James M. Gandy
Attorney, Agent, or Firm—Finnegan, Henderson, Farabow, Garrett & Dunner

[57] **CLAIM**

The ornamental design for a tire, as shown and described.

DESCRIPTION

FIG. 1 is a perspective view of a tire showing my new design, it being understood that the tread pattern is repeated throughout the circumference of the tire, as shown schematically by solid lines, the opposite side being substantially the same as that illustrated; and FIG. 2 is an enlarged fragmentary plan view thereof.

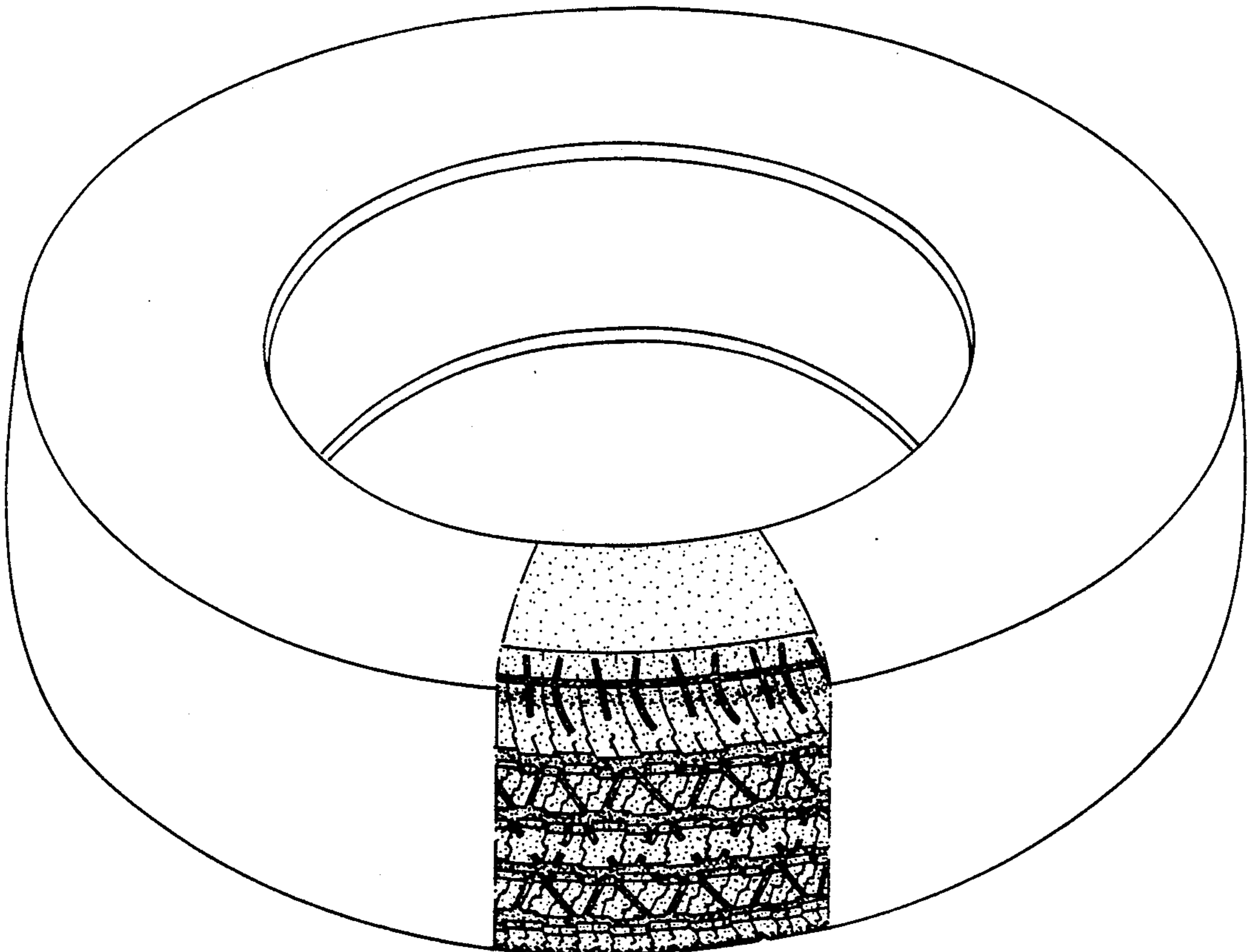


FIG. 1

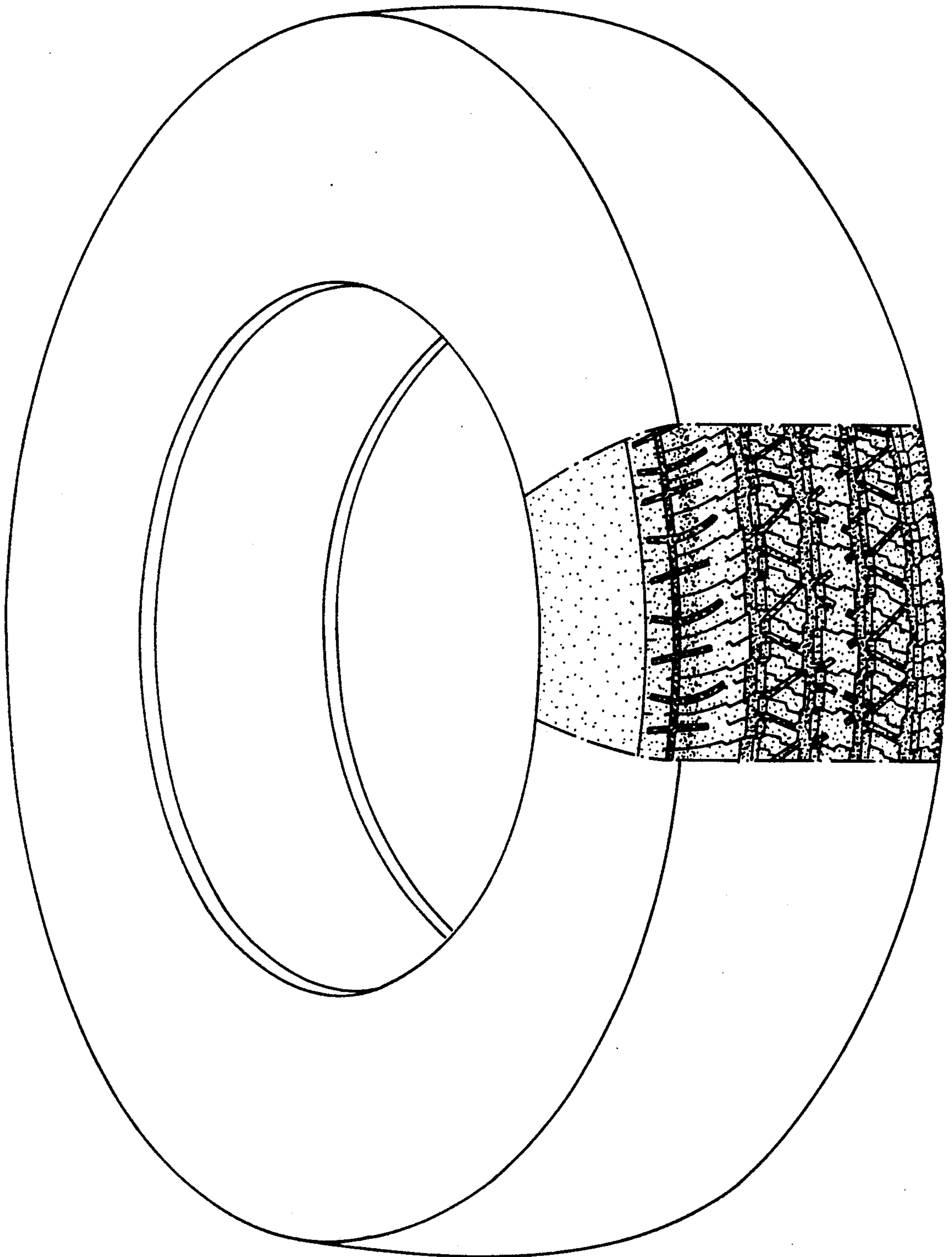


FIG. 2

