



US00D324009S

United States Patent [19] Smith

[11] Patent Number: **Des. 324,009**

[45] Date of Patent: **** Feb. 18, 1992**

[54] **BICYCLE RACK**

623,967 5/1899 Barnett 211/20

[75] Inventor: **Terrance R. Smith**, Nepean, Canada

FOREIGN PATENT DOCUMENTS

[73] Assignee: **Bike-Up Canada Inc.**, Nepean, Canada

3741233 6/1989 Fed. Rep. of Germany 211/17

[**] Term: **14 Years**

Primary Examiner—James M. Gandy
Assistant Examiner—Melody Brown
Attorney, Agent, or Firm—Bauer & Schaffer

[21] Appl. No.: **534,666**

[57] **CLAIM**

[22] Filed: **Jun. 7, 1990**

The ornamental design for a bicycle rack, as shown and described.

[30] **Foreign Application Priority Data**

Dec. 22, 1989 [CA] Canada 22-12-89-10

[52] U.S. Cl. **D12/115**; 211/20

[58] Field of Search **D12/115**; 211/17, 19, 211/20, 22; 280/293

DESCRIPTION

FIG. 1 is a top plan view of a bicycle rack showing my new design;

FIG. 2 is a bottom plan view thereof;

FIG. 3 is a front elevation view thereof;

FIG. 4 is a side elevation view thereof, the opposite side being a mirror image of that shown;

FIG. 5 is a perspective view thereof; and

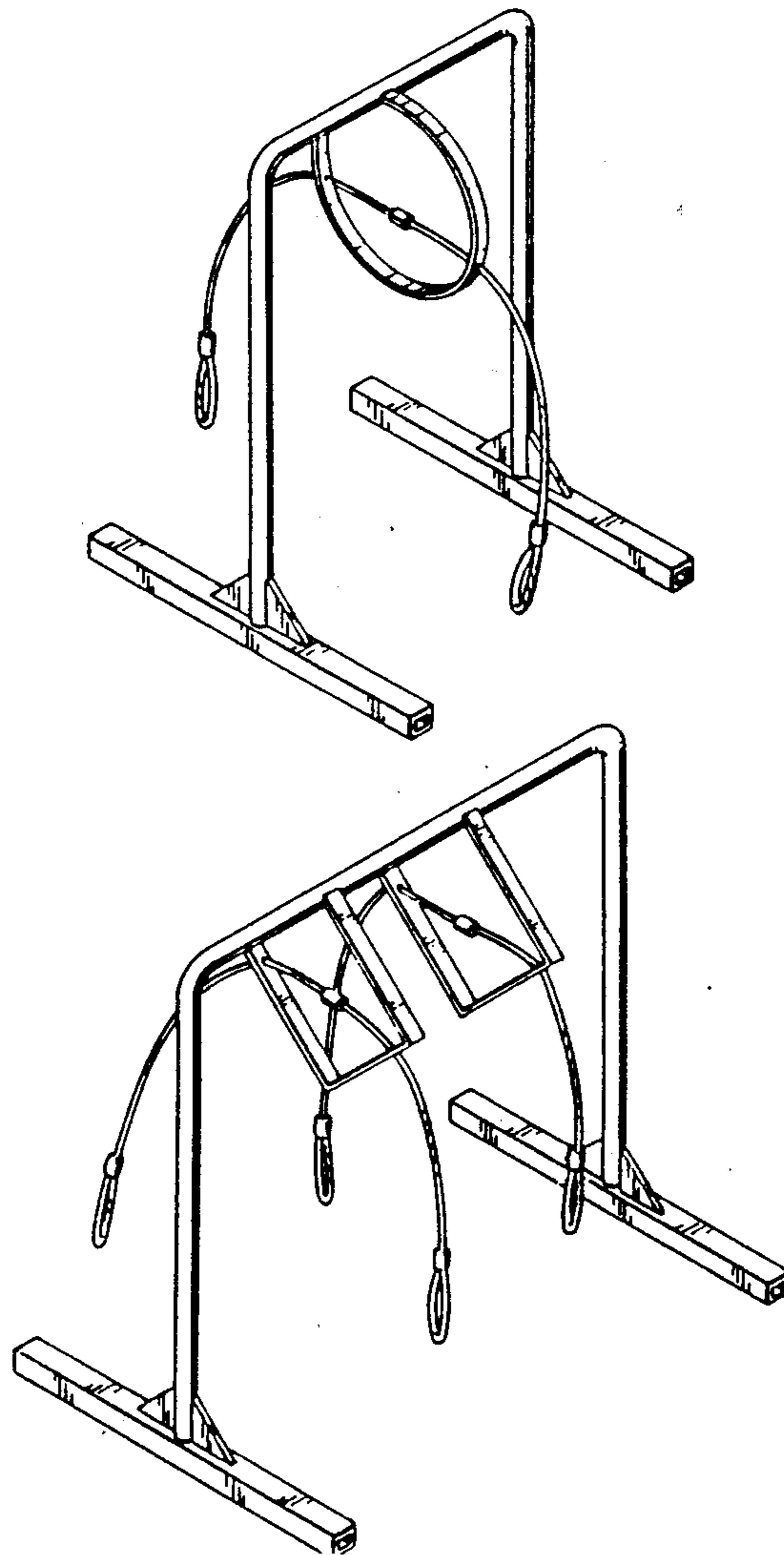
FIG. 6 is a perspective view of bicycle rack showing a second embodiment of my new design.

[56] **References Cited**

U.S. PATENT DOCUMENTS

D. 263,039 2/1982 Richard, Jr. D12/115

D. 302,805 8/1989 Hoyt D12/115



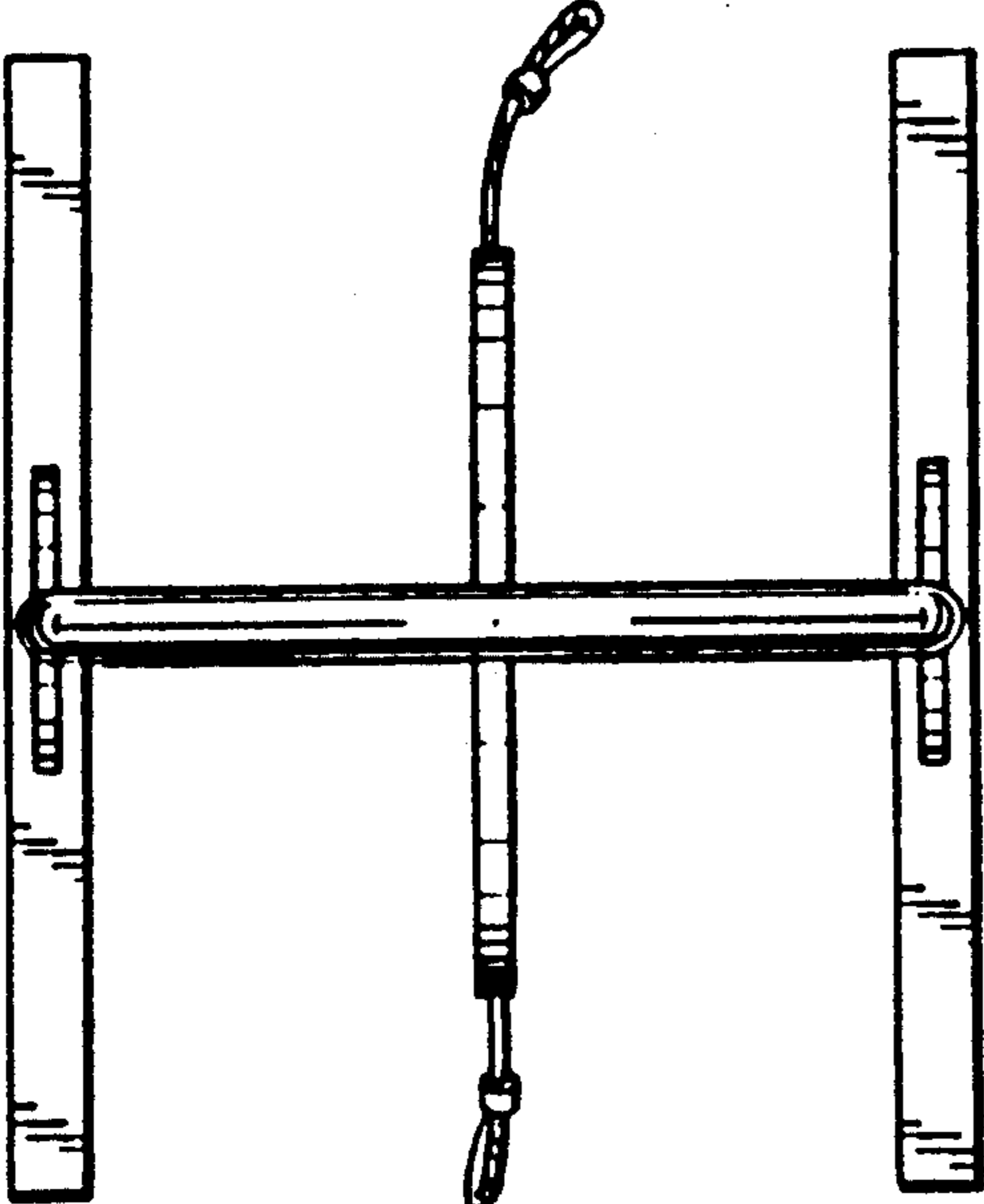


FIG. 1

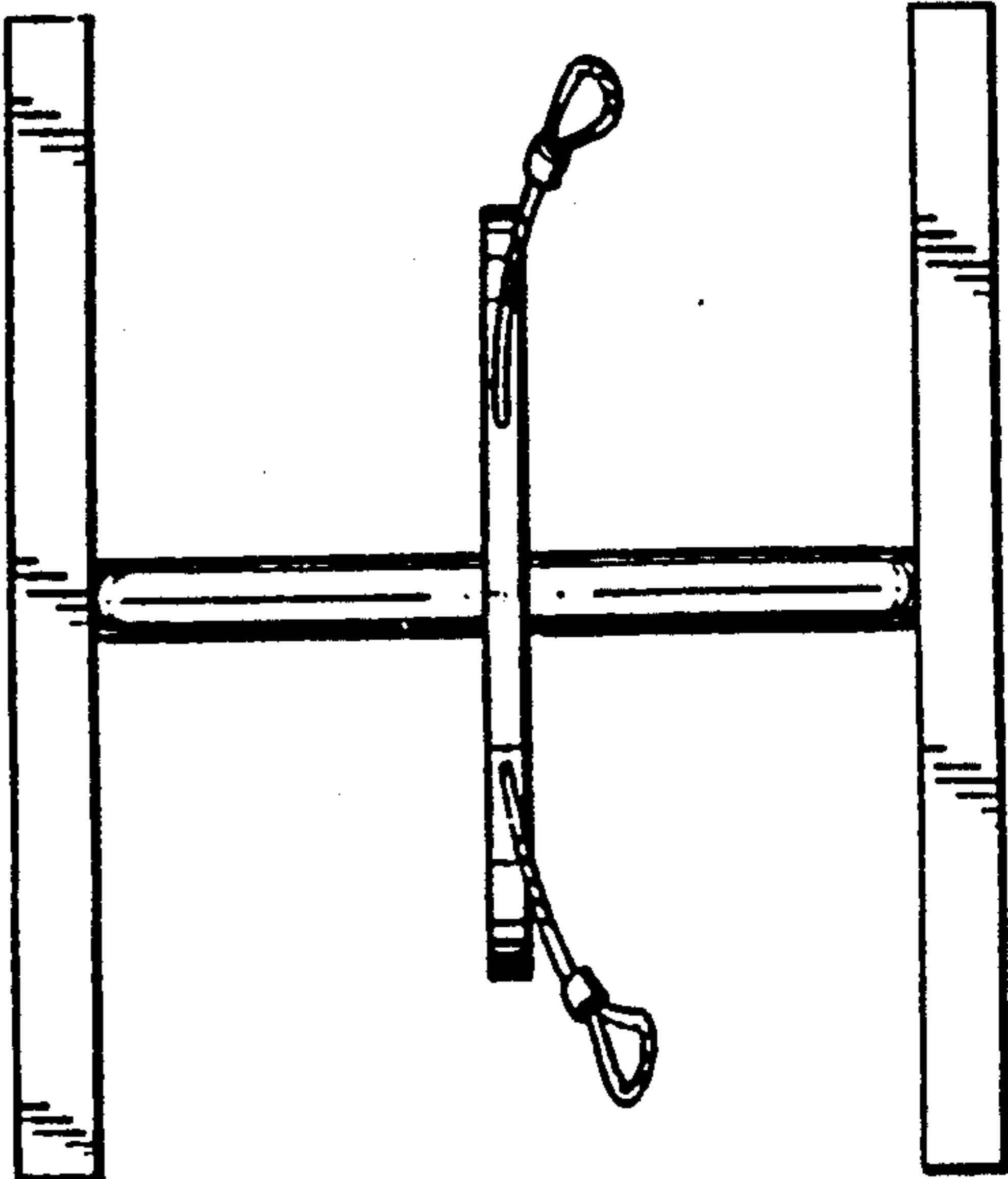


FIG. 2

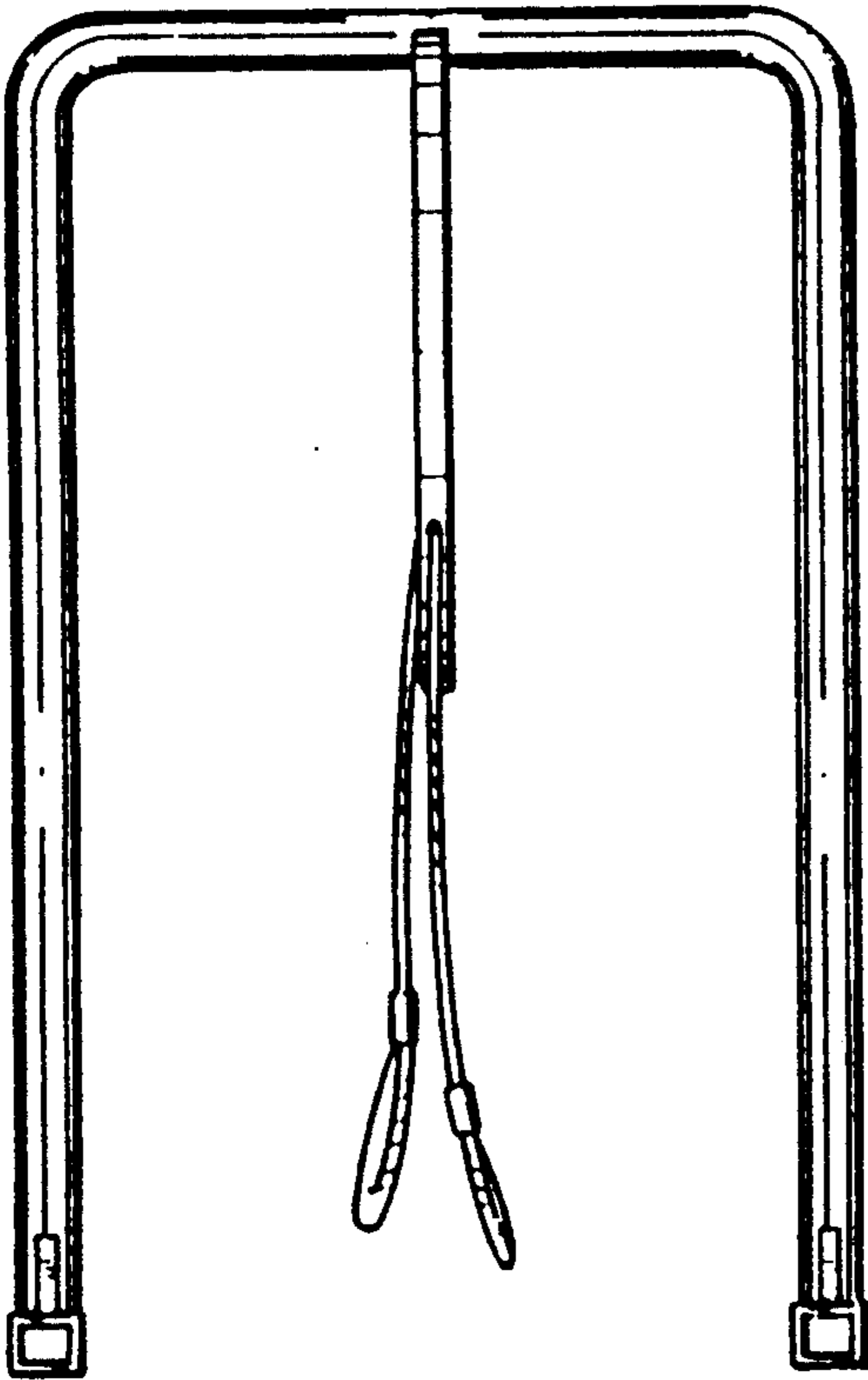


FIG. 3

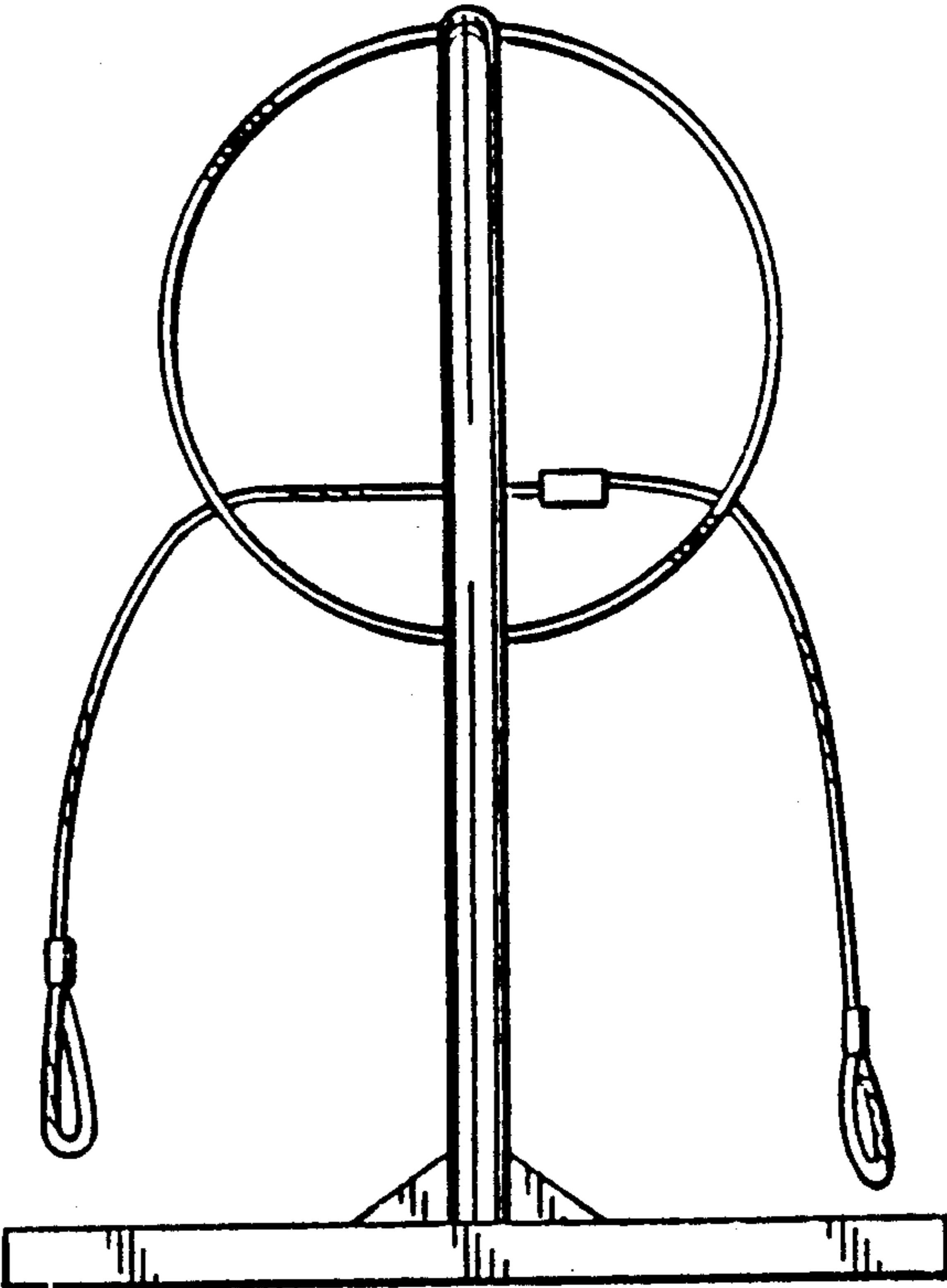


FIG. 4

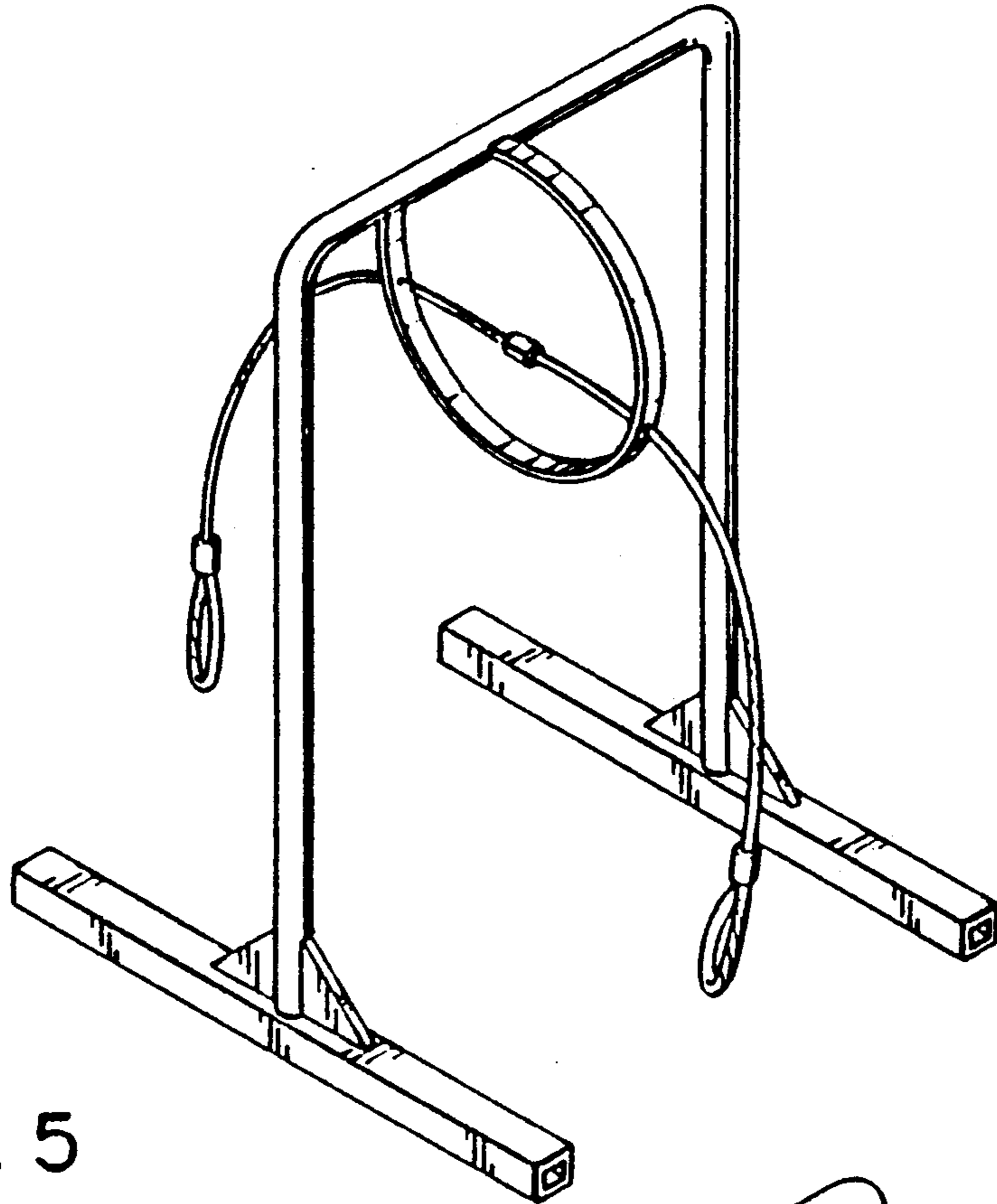


FIG. 5

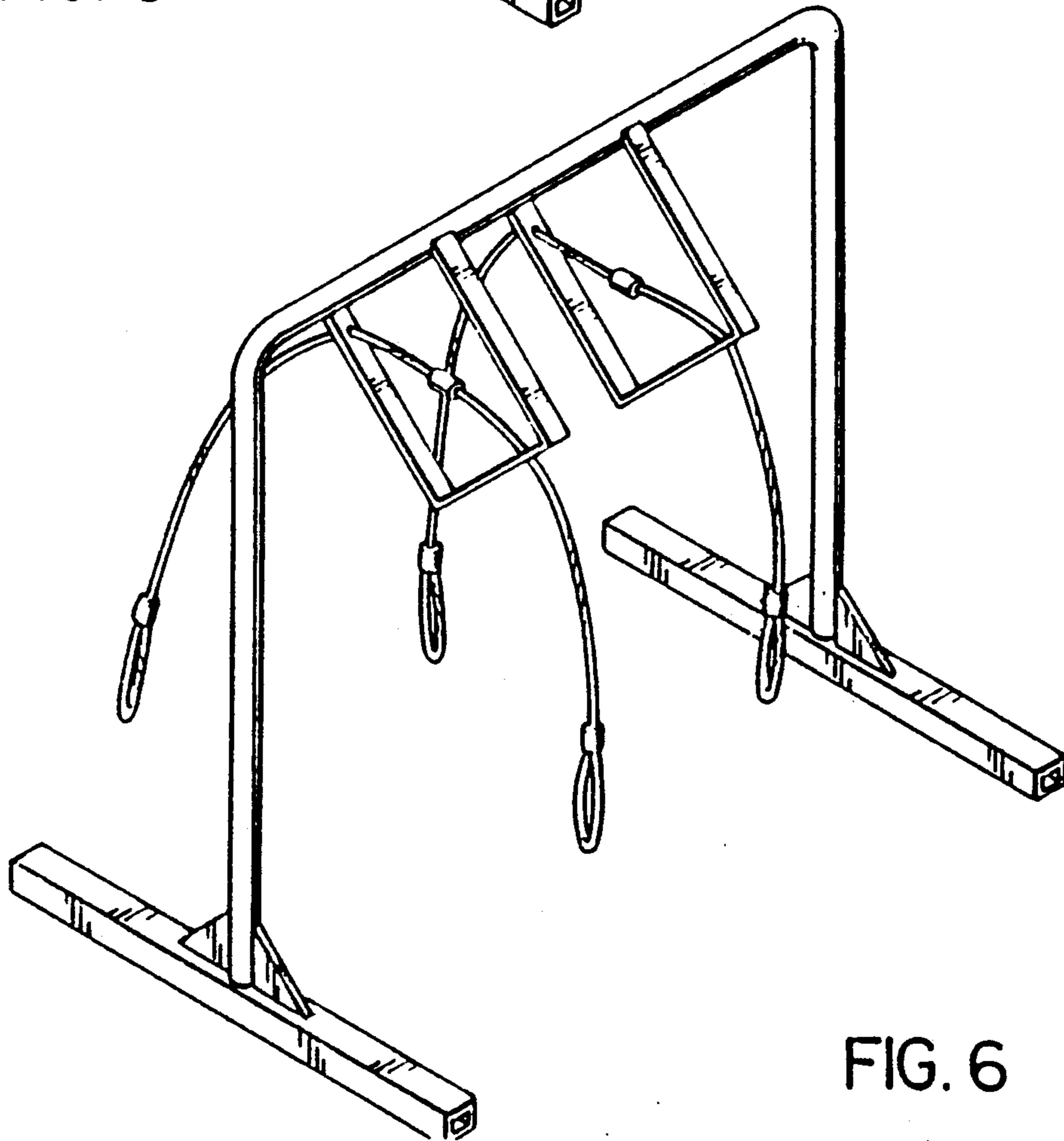


FIG. 6