



US00D324005S

United States Patent [19]

[11] Patent Number: **Des. 324,005**

Grosfillex

[45] Date of Patent: **** Feb. 18, 1992**

[54] **PLANT POT**

3,395,486 8/1968 Campbell et al. 47/66
3,800,469 4/1974 Lau, Jr. et al. 47/66

[75] Inventor: **Raymond Grosfillex, Oyonnax, France**

OTHER PUBLICATIONS

[73] Assignee: **Grosfillex Sarl, Oyonnax, France**

International Terra Cotta, Inc. Cat.; p. 2; Vase No. 2 (lower left).

[**] Term: **14 Years**

Primary Examiner—B. J. Bullock
Attorney, Agent, or Firm—Dowell & Dowell

[21] Appl. No.: **421,735**

[22] Filed: **Oct. 16, 1989**

[57] CLAIM

[30] **Foreign Application Priority Data**

The ornamental design for a plant pot, as shown and described.

Apr. 17, 1989 [WO] World Int. Prop. O. ... DMA000989

[52] U.S. Cl. **D11/152**

DESCRIPTION

[58] Field of Search **D11/143, 152; 47/66, 47/72**

FIG. 1 is a front perspective view of a plant pot showing my new design;

[56] **References Cited**

FIG. 2 is a front elevational view thereof;

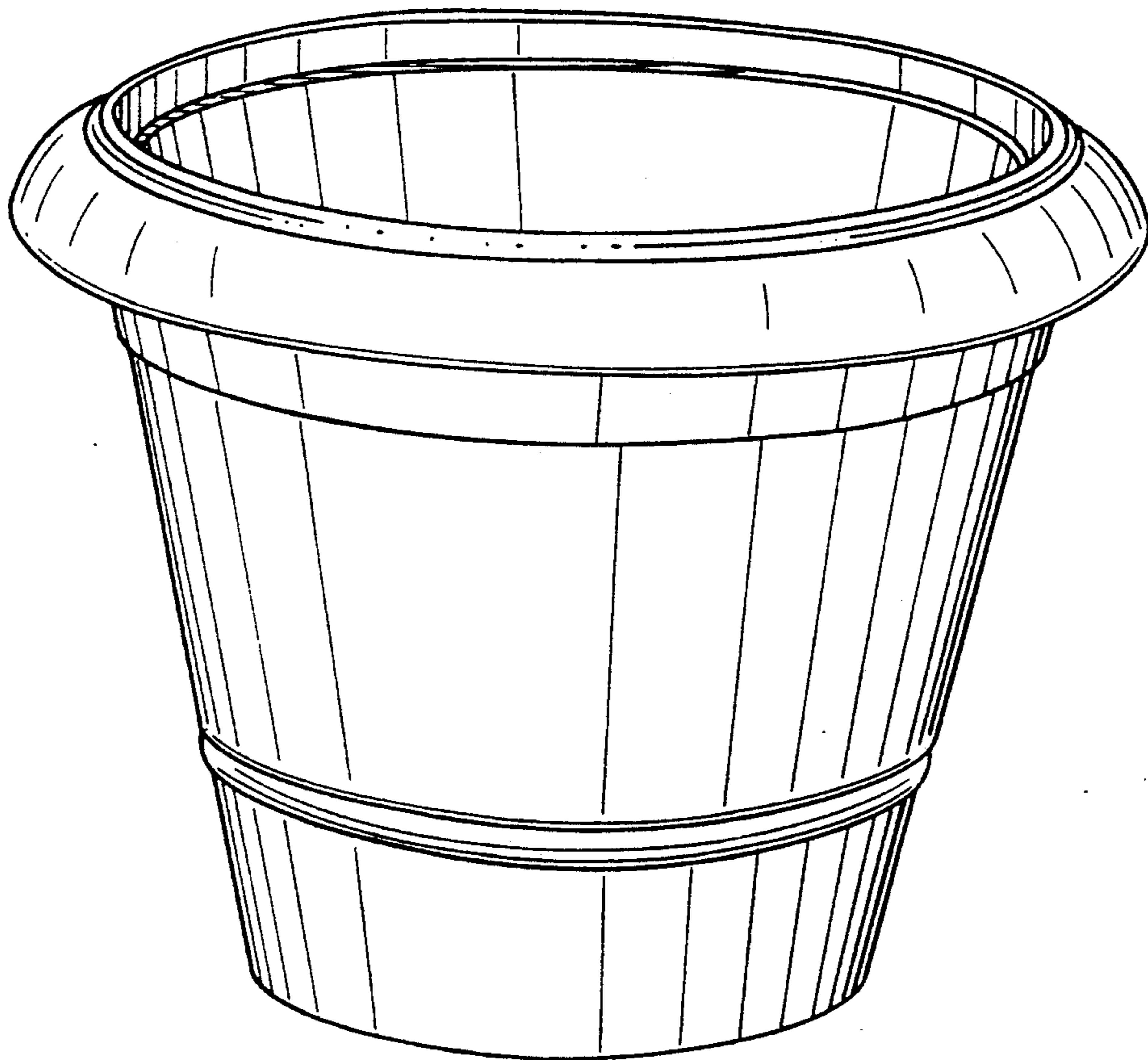
U.S. PATENT DOCUMENTS

D. 110,286 6/1938 Krehbiel D11/152
D. 198,040 4/1964 Bonham et al. D11/152

FIG. 3 is a top plan view thereof; and

FIG. 4 is a bottom plan view thereof.

Views taken from the rear and left and right sides would be the same as **FIG. 2**.



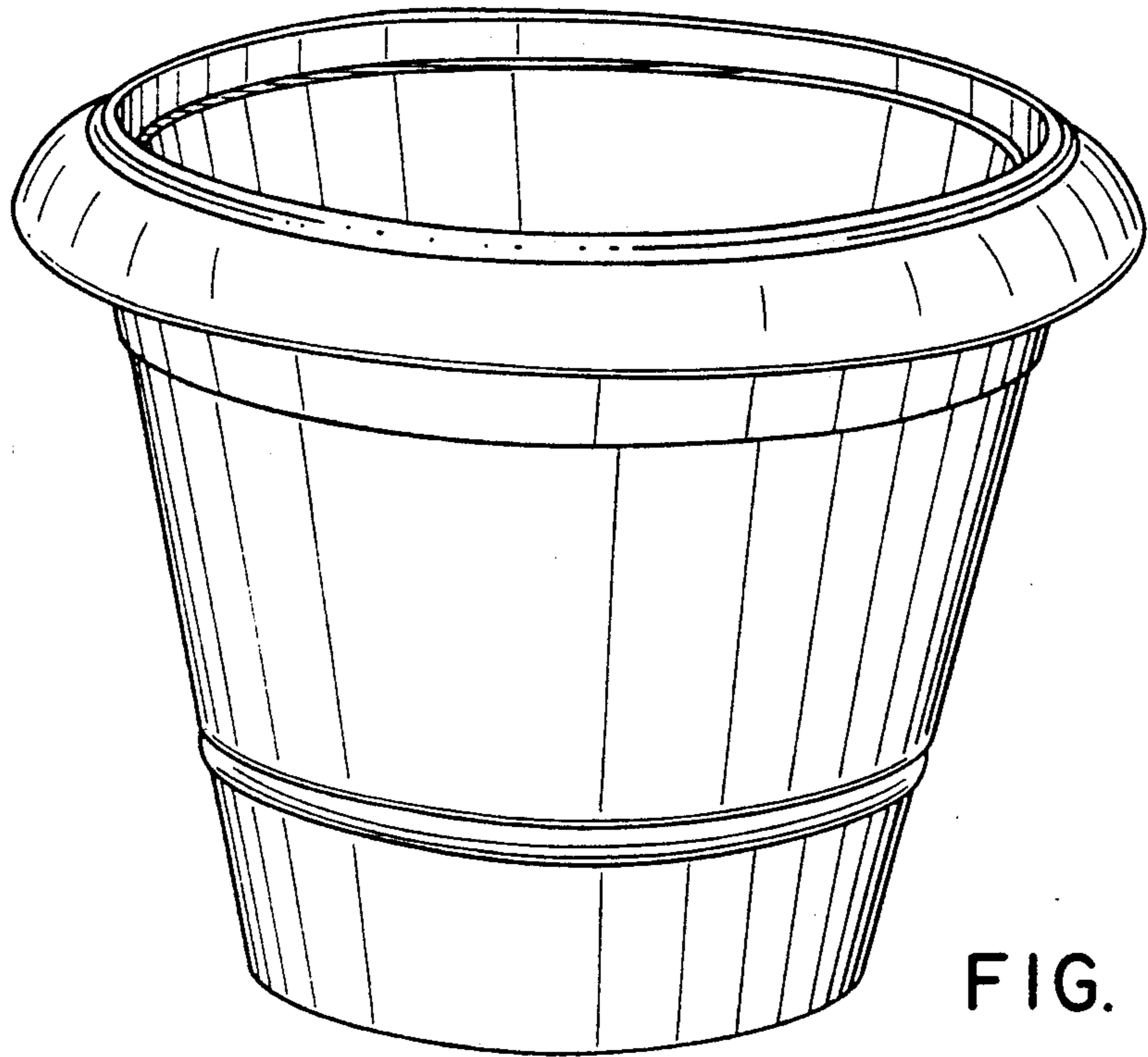


FIG. 1

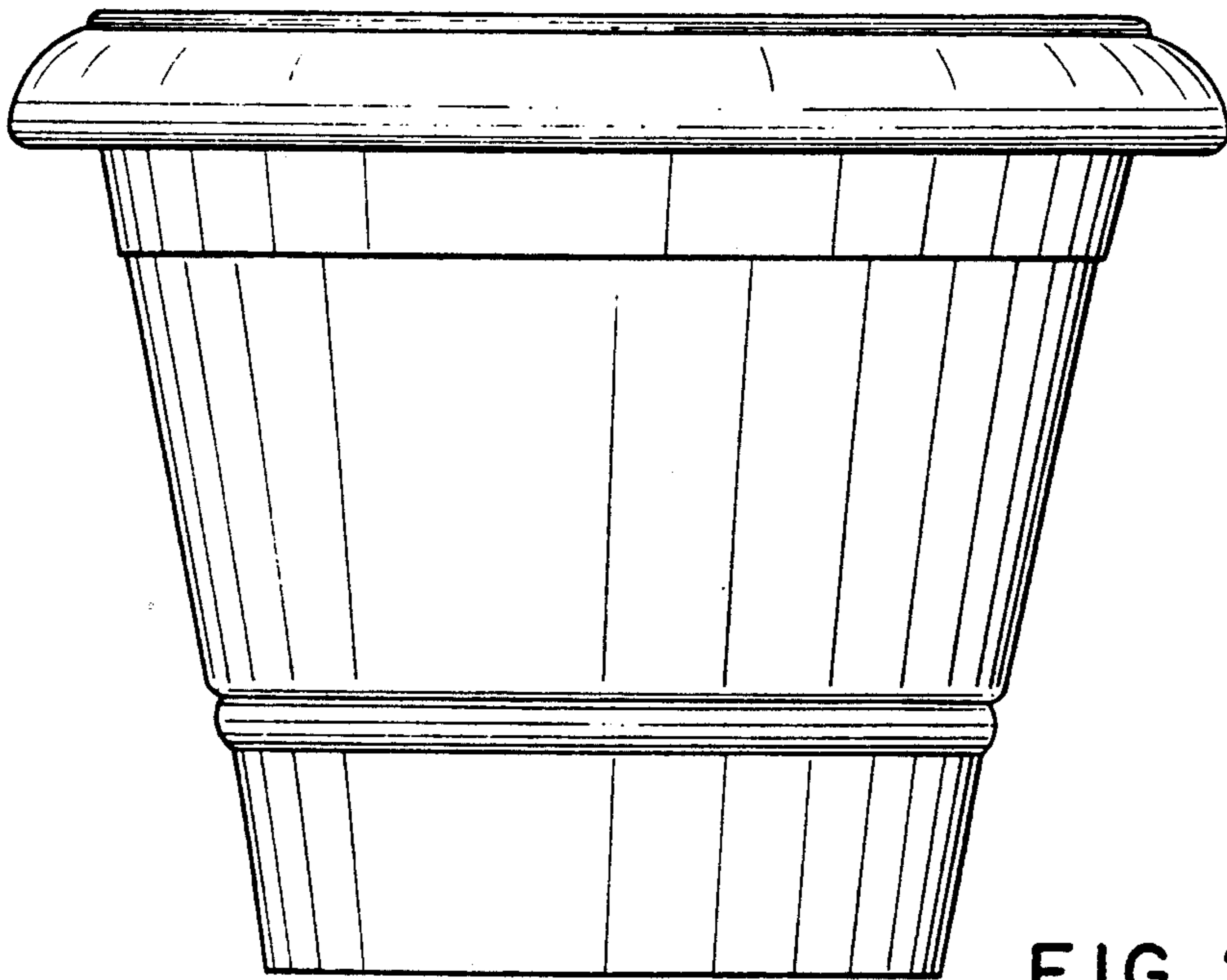


FIG. 2

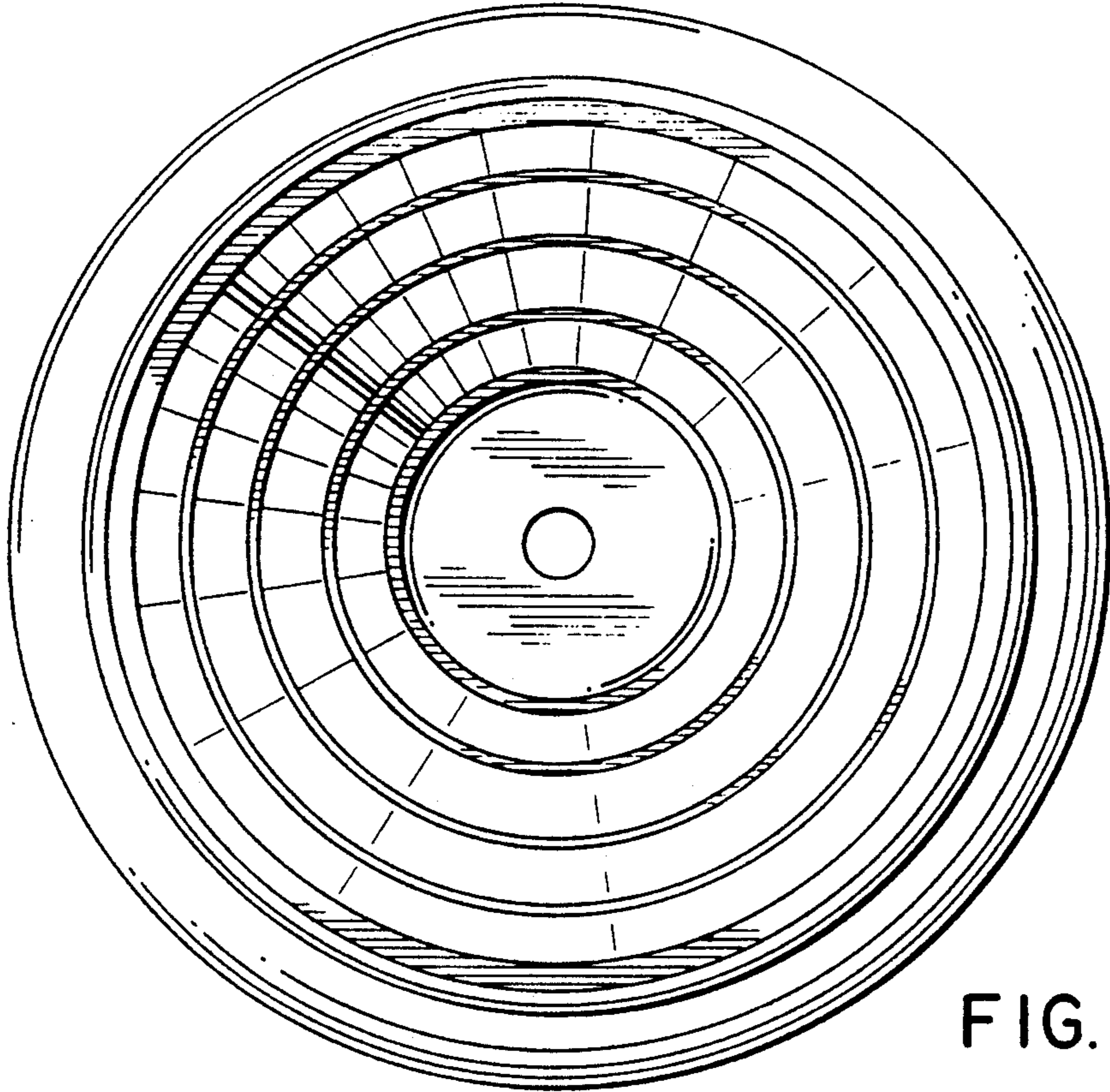


FIG. 3

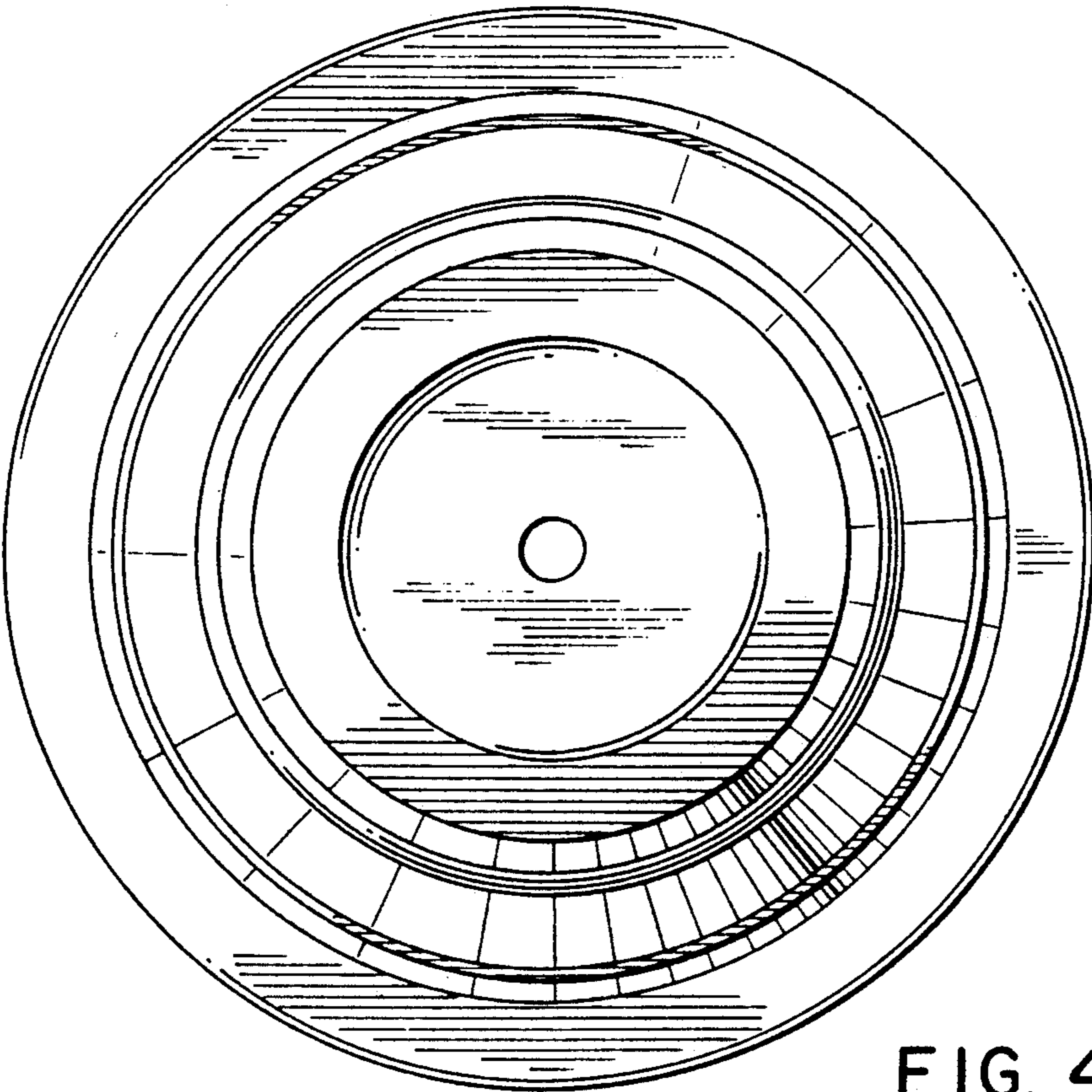


FIG. 4