



US00D324004S

United States Patent [19]

[11] Patent Number: **Des. 324,004**

Neill

[45] Date of Patent: **** Feb. 18, 1992**

[54] **COMBINED PLANTER AND HOLDER FOR USE WITHIN AUTOMOTIVE VEHICLES**

3,823,907 7/1974 Ziaylek, Jr. .
4,040,549 8/1977 Sadler .
4,151,680 5/1979 Sena 47/66
4,721,276 1/1988 Moss .

[76] Inventor: **James A. Neill**, P.O. Box 3213,
Tustin, Calif. 92681-3213

Primary Examiner—B. J. Bullock
Attorney, Agent, or Firm—Norman B. Rainer

[**] Term: **14 Years**

[21] Appl. No.: **313,152**

[57] **CLAIM**

[22] Filed: **Feb. 21, 1989**

The ornamental design for a combined planter and holder for use within automotive vehicles, as shown and described.

[52] U.S. Cl. **D11/144; D6/573; D11/152**

[58] Field of Search **D11/143, 144, 152-154; 47/66, 72, 39; 206/423; 248/27.8; D6/403, 573**

DESCRIPTION

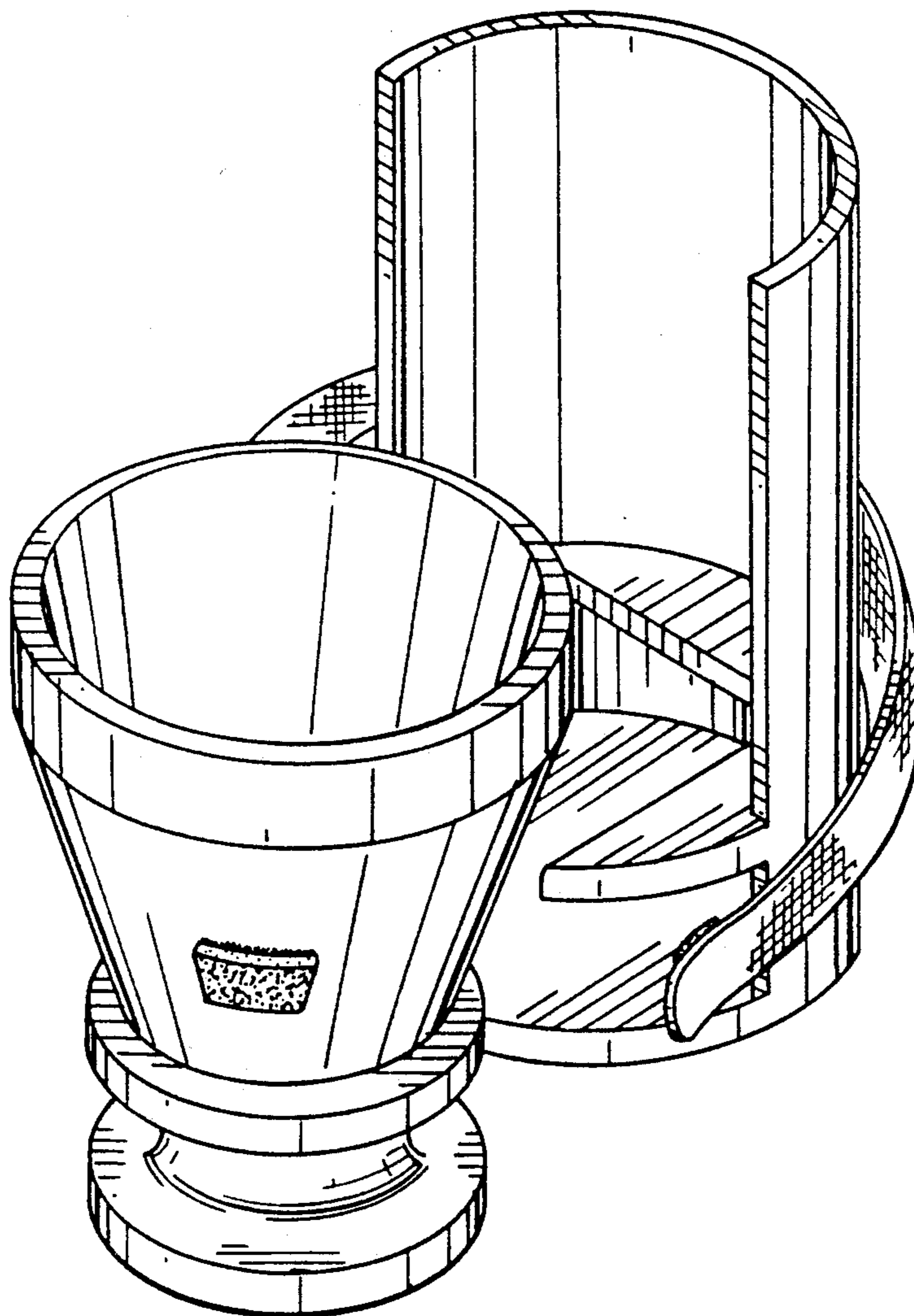
[56] **References Cited**

FIG. 1 is an exploded perspective view of a combined planter and holder for use within automotive vehicles showing my new design, the left side being a mirror image of the right and the rear and bottom being plain and unornamented;

U.S. PATENT DOCUMENTS

196,096 10/1877 Lambert .
D. 224,120 7/1972 Kaelke D11/152
583,925 6/1897 McGowan 206/423
603,649 5/1898 Leedy 206/423
2,846,201 8/1958 Mermelstein .

FIG. 2 is a front view thereof; and
FIG. 3 is a top view thereof, the planter being omitted for ease of illustration.



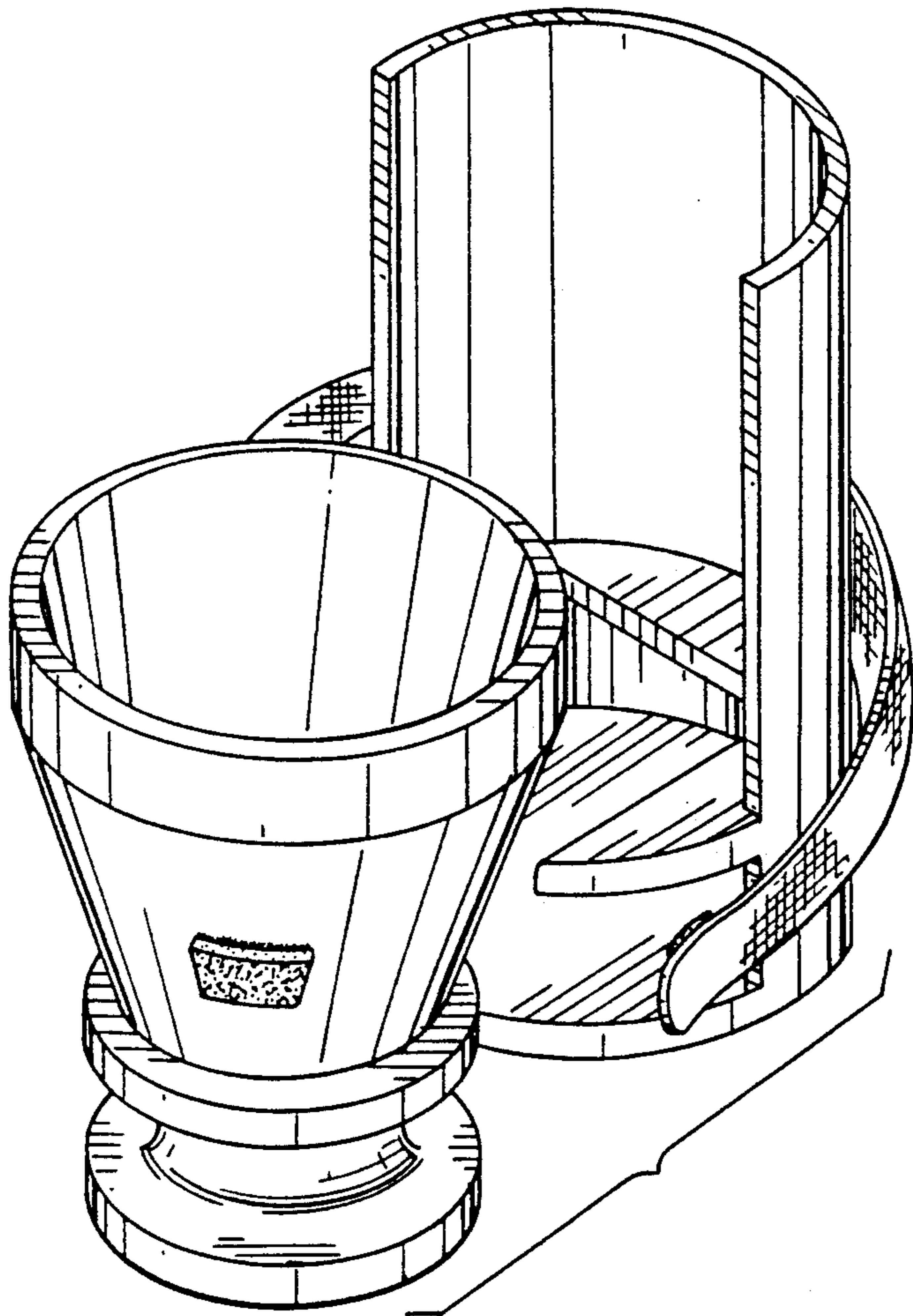


FIG. 1

FIG. 2

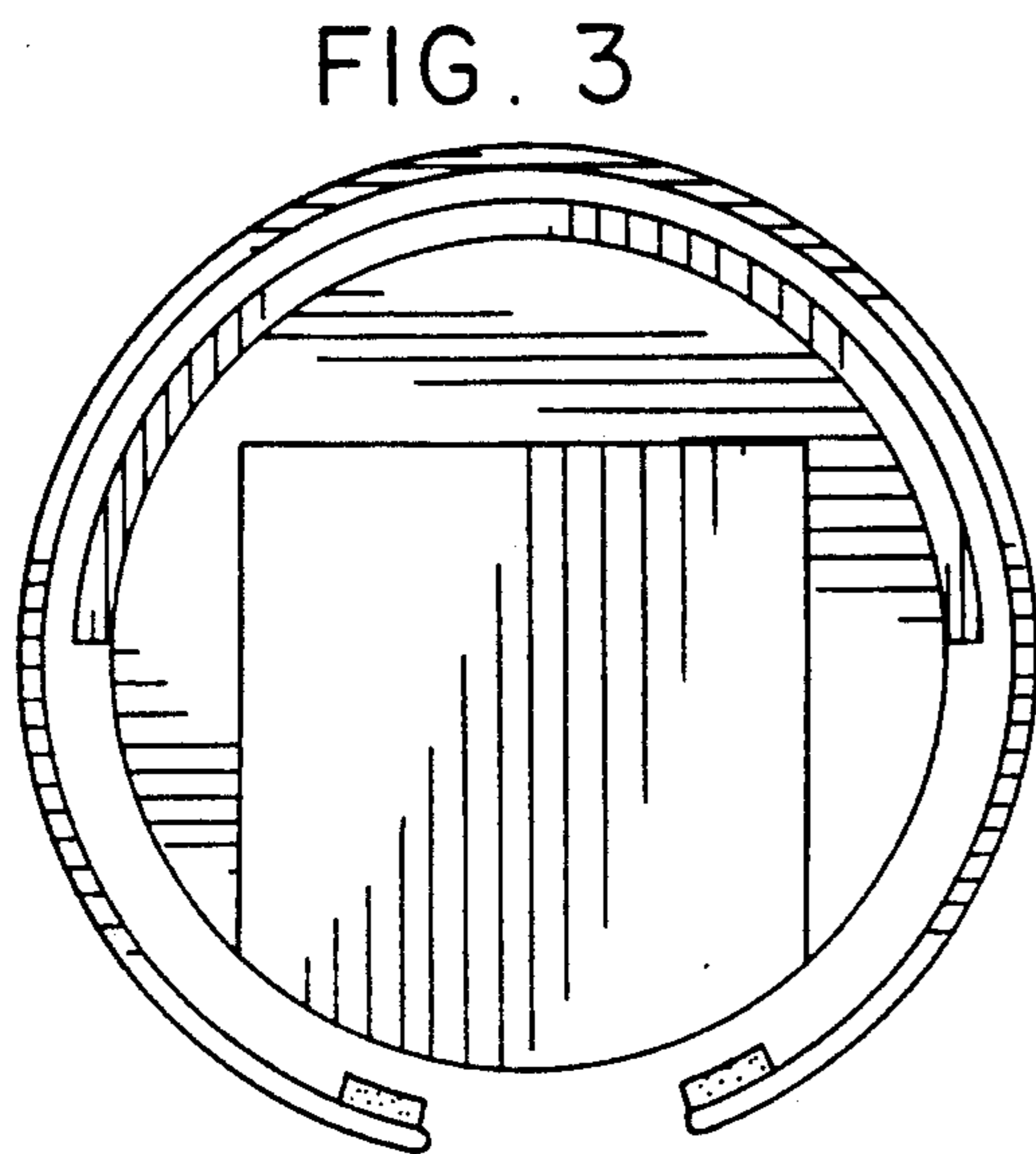


FIG. 3

