



US00D323997S

United States Patent [19]

[11] Patent Number: **Des. 323,997**

Masters et al.

[45] Date of Patent: **** Feb. 18, 1992**

[54] **VERTICAL PLUMB TOOL**

[75] Inventors: **James C. Masters**, Walnut Creek, Calif.; **Thomas K. Stevens**, 904 Kearney St., El Cerrito, Calif. 94530

[73] Assignee: **Thomas K. Stevens**, El Cerrito, Calif.

[**] Term: **14 Years**

[21] Appl. No.: **251,872**

[22] Filed: **Oct. 3, 1988**

[52] U.S. Cl. **D10/69**

[58] Field of Search D10/61, 64, 65, 69; 33/347, 365, 369, 370, 371, 372, 374, 373, 381, 382, 383, 384, 385, 386, 387, 388, 389, 390, 391, 392, 393, 394, 404, 405, 406, 407

2,624,953 1/1953 Newcomb 33/372
 2,635,350 4/1953 Bettega 33/381
 3,545,091 12/1970 Sebastiani 33/451 X
 4,202,108 5/1980 Adams, Jr. et al. 33/392 X
 4,443,954 4/1984 Clark 33/406 X
 4,829,676 5/1989 Waldron 33/372

FOREIGN PATENT DOCUMENTS

1141672 9/1957 France 33/382
 555055 10/1957 France 33/381

Primary Examiner—Bruce W. Dunkins
Assistant Examiner—Antoine D. Davis
Attorney, Agent, or Firm—Harris Zimmerman

[57] CLAIM

The ornamental design for a vertical plumb tool, as shown and described.

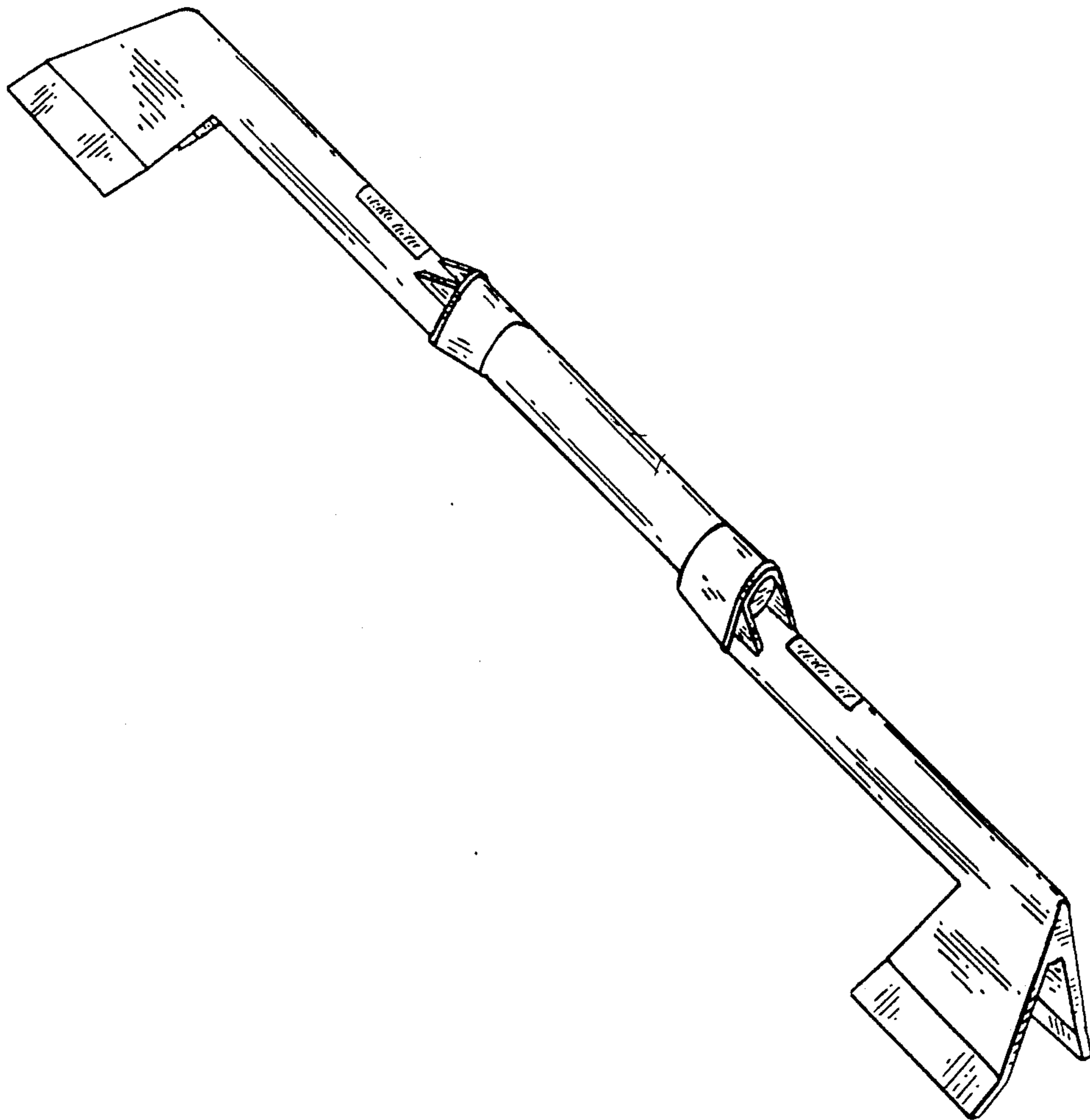
DESCRIPTION

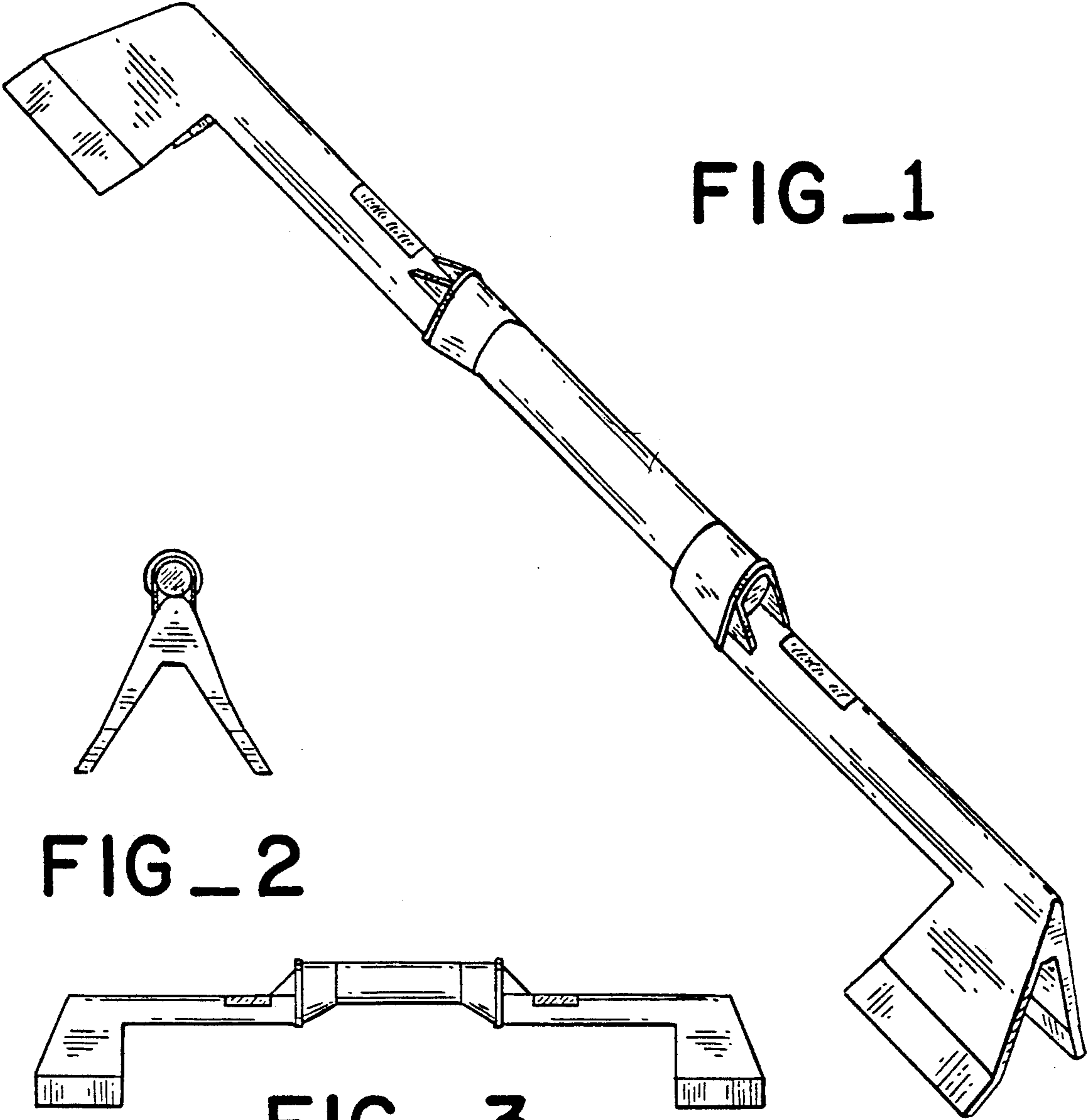
FIG. 1 is a top, front, and left side perspective view of a vertical plumb tool showing my new design;
 FIG. 2 is rear elevational view;
 FIG. 3 is a right side elevational view;
 FIG. 4 is a top plan view; and
 FIG. 5 is a bottom plan view thereof.

[56] References Cited

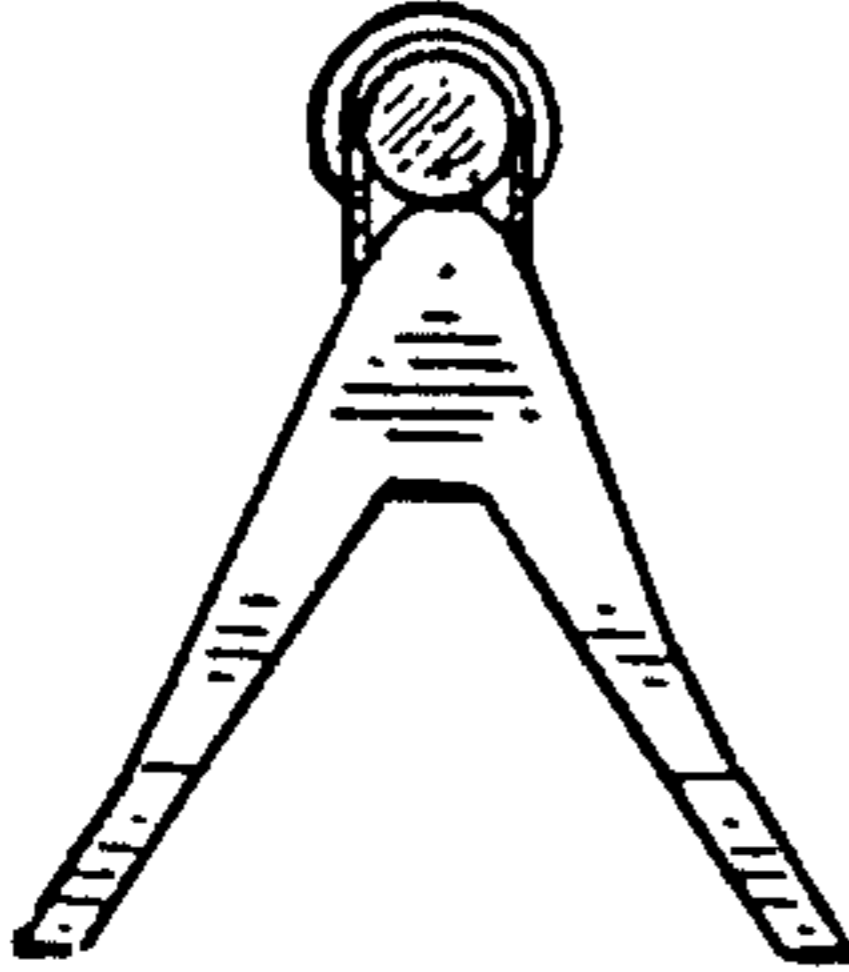
U.S. PATENT DOCUMENTS

D. 32,156 1/1900 Johnson D10/64 X
 D. 171,317 1/1954 Von Dukhe D10/69
 1,229,356 6/1917 Watkins 33/371 X
 1,308,699 7/1919 Cusick 33/371 X
 1,707,593 4/1929 Arbuckle 33/372 X





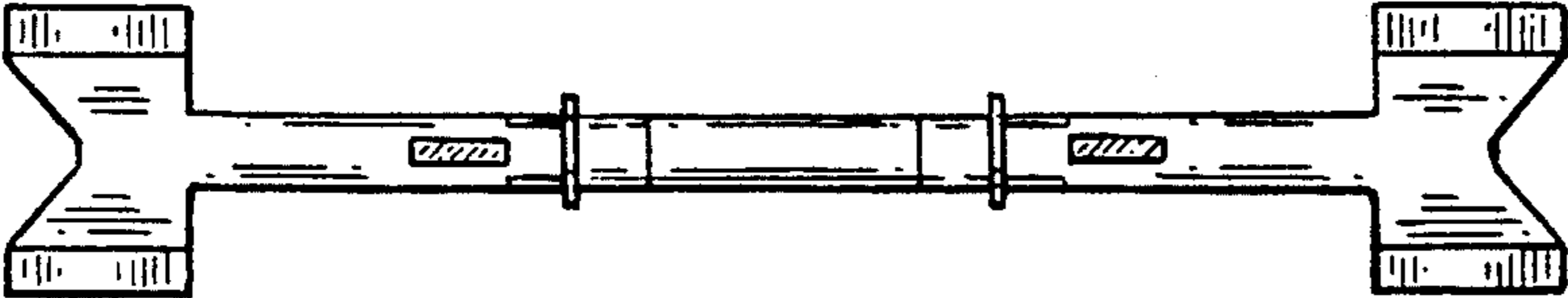
FIG_1



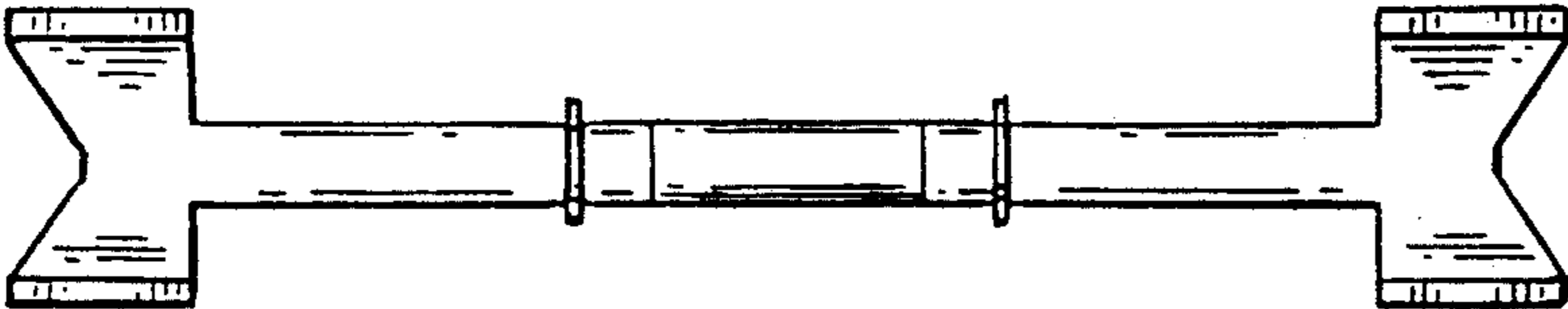
FIG_2



FIG_3



FIG_4



FIG_5