



US00D323987S

# United States Patent [19]

Yamamoto et al.

[11] Patent Number: **Des. 323,987**

[45] Date of Patent: **\*\* Feb. 18, 1992**

[54] CONTAINER

[75] Inventors: **Shinya Yamamoto; Koichi Saito**, both of Kyoto, Japan

[73] Assignee: **Murata Mfg. Co., Ltd.**, Japan

[\*\*] Term: **14 Years**

[21] Appl. No.: **367,228**

[22] Filed: **Jun. 16, 1989**

2,692,698	10/1954	Waterman	.....	D9/417 X
2,722,309	11/1955	Waterman	.....	220/345 X
3,524,541	8/1970	Nelson	.....	220/345 X
4,351,108	9/1982	Johnson	.....	206/328 X
4,359,157	11/1982	Horstmann	.....	206/328
4,889,229	12/1989	Yamamoto et al.	.....	206/328

*Primary Examiner*—Bernard Ansher  
*Assistant Examiner*—Prabhakar Deshmukh  
*Attorney, Agent, or Firm*—Ostrolenk, Faber, Gerb & Soffen

[30] Foreign Application Priority Data

Dec. 21, 1988 [JP] Japan ..... 63-49894

[52] U.S. Cl. .... **D9/418**

[58] Field of Search ..... D9/418, 416, 415, 417, D9/424, 432, 337, 341; 206/328, 329, 334, 45.31, 216, 824; 220/345, 350; 221/154, 174, 186, 197, 303, 306; D14/120, 121, 114

[57] CLAIM

The ornamental design for a container, as shown.

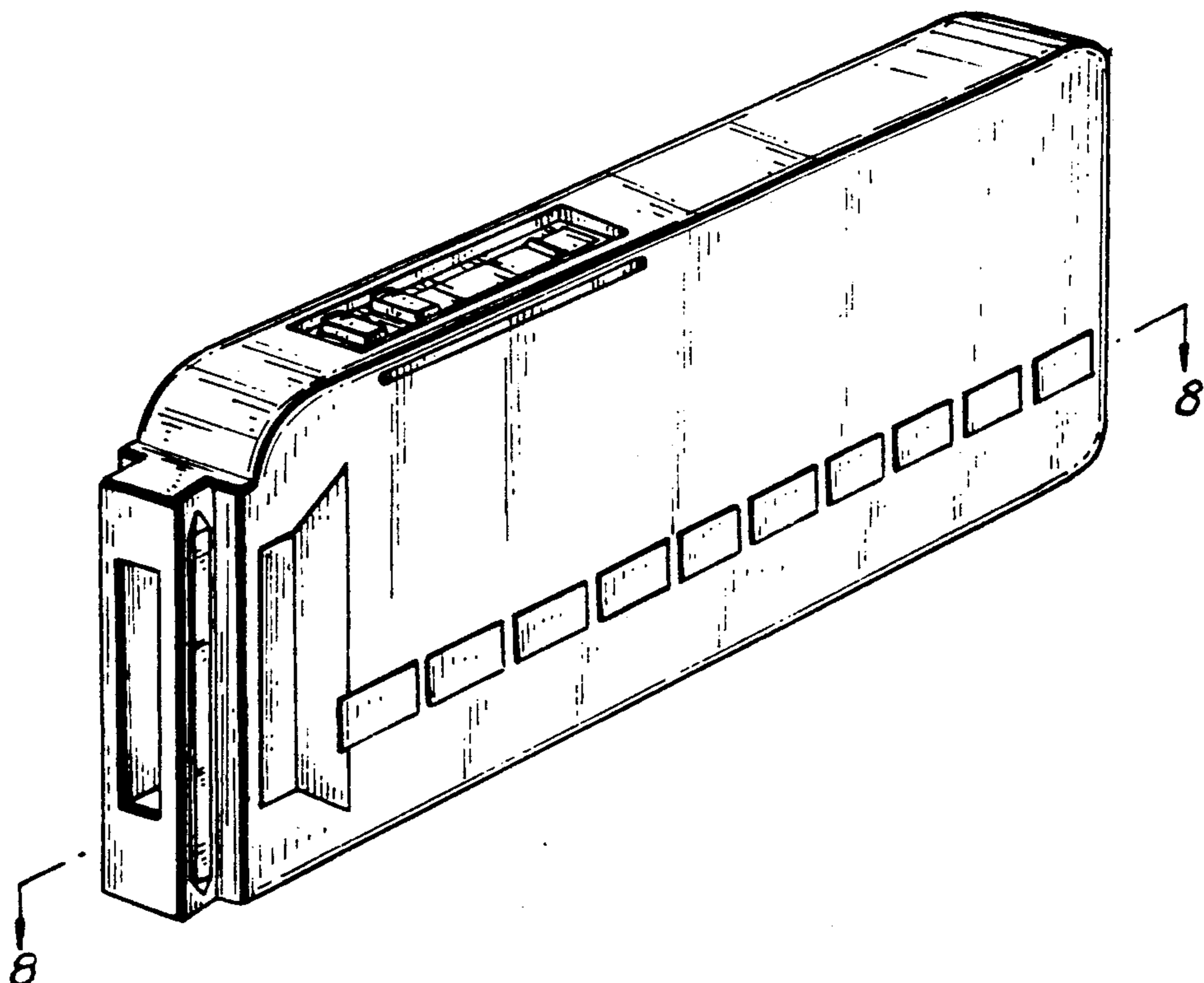
[56] References Cited

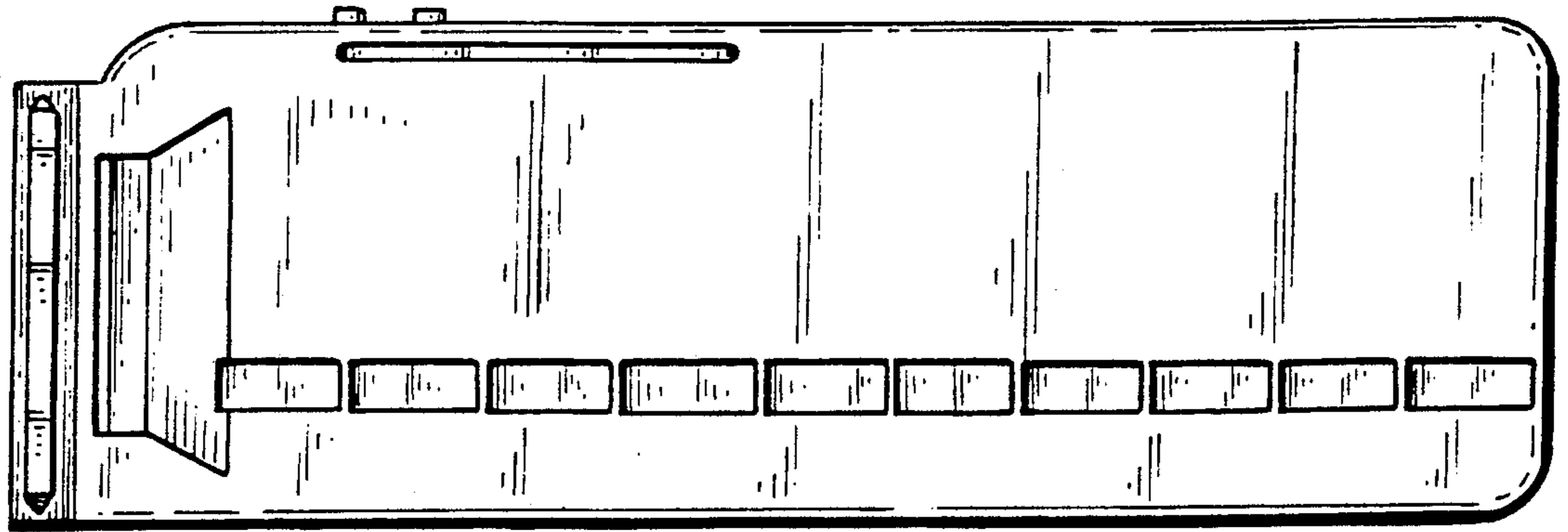
U.S. PATENT DOCUMENTS

D. 252,558	8/1979	Beck	.....	D9/418
D. 284,195	6/1986	Davis et al.	.....	D14/114
D. 285,569	9/1986	Reitz et al.	.....	D14/121 X

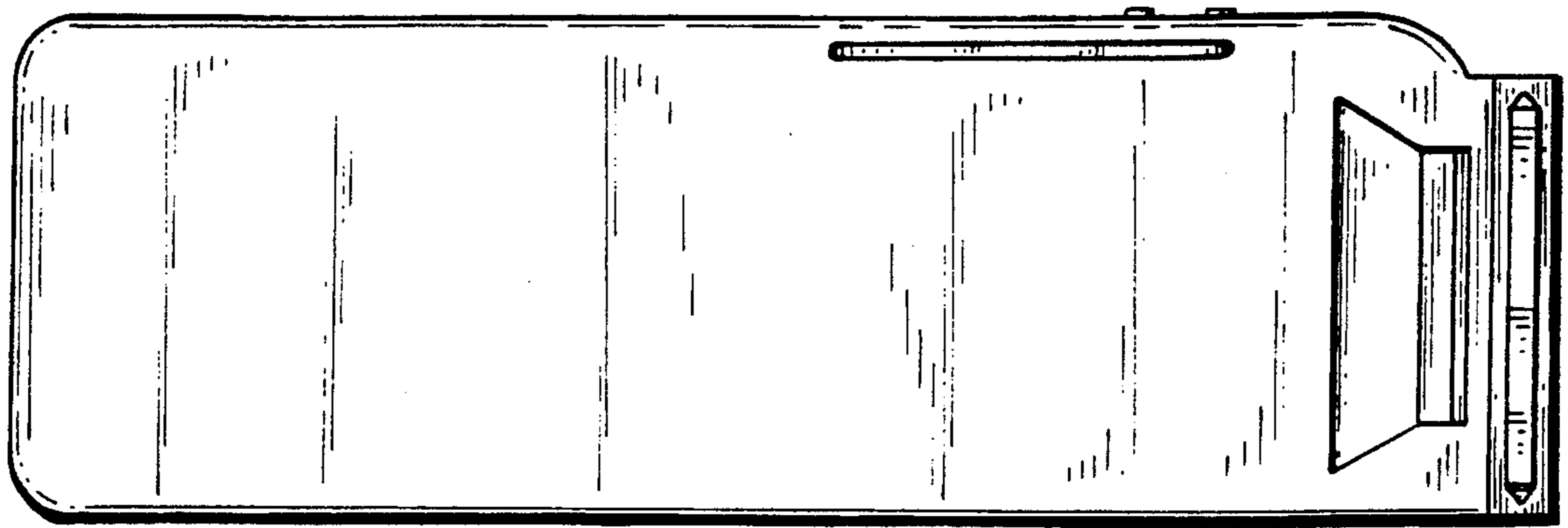
**DESCRIPTION**

FIG. 1 is a front elevation of a container showing our new design;  
 FIG. 2 is a rear elevation thereof;  
 FIG. 3 is a top plan view thereof;  
 FIG. 4 is a bottom plan view thereof;  
 FIG. 5 is a left side elevation thereof;  
 FIG. 6 is a right side elevation thereof;  
 FIG. 7 is a perspective view thereof; and  
 FIG. 8 is a sectional elevation taken along line 8—8 of FIG. 7.

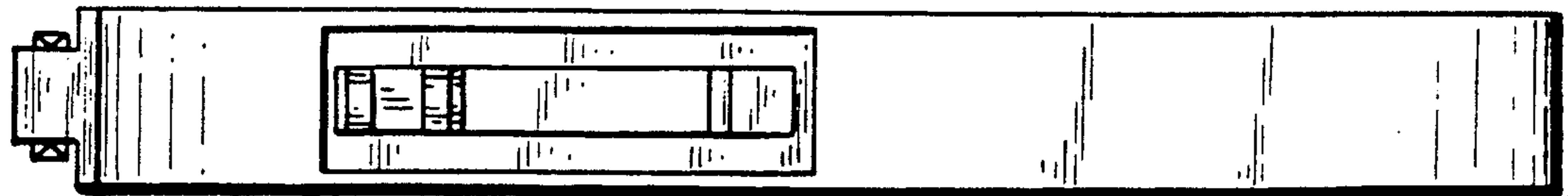




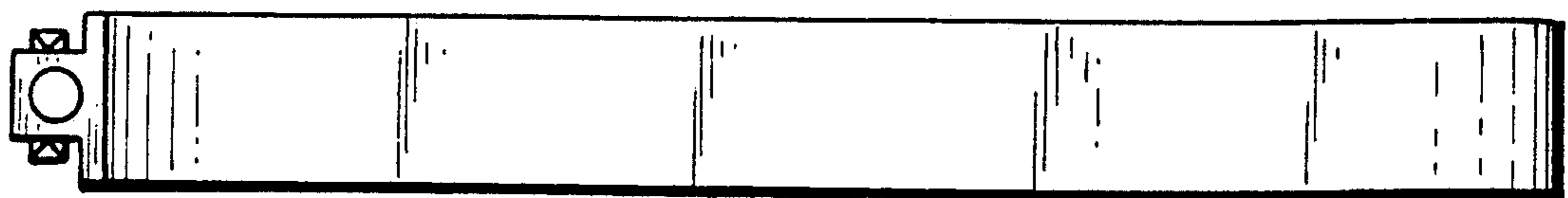
**FIG. 1.**



**FIG. 2.**



**FIG. 3.**



**FIG. 4.**

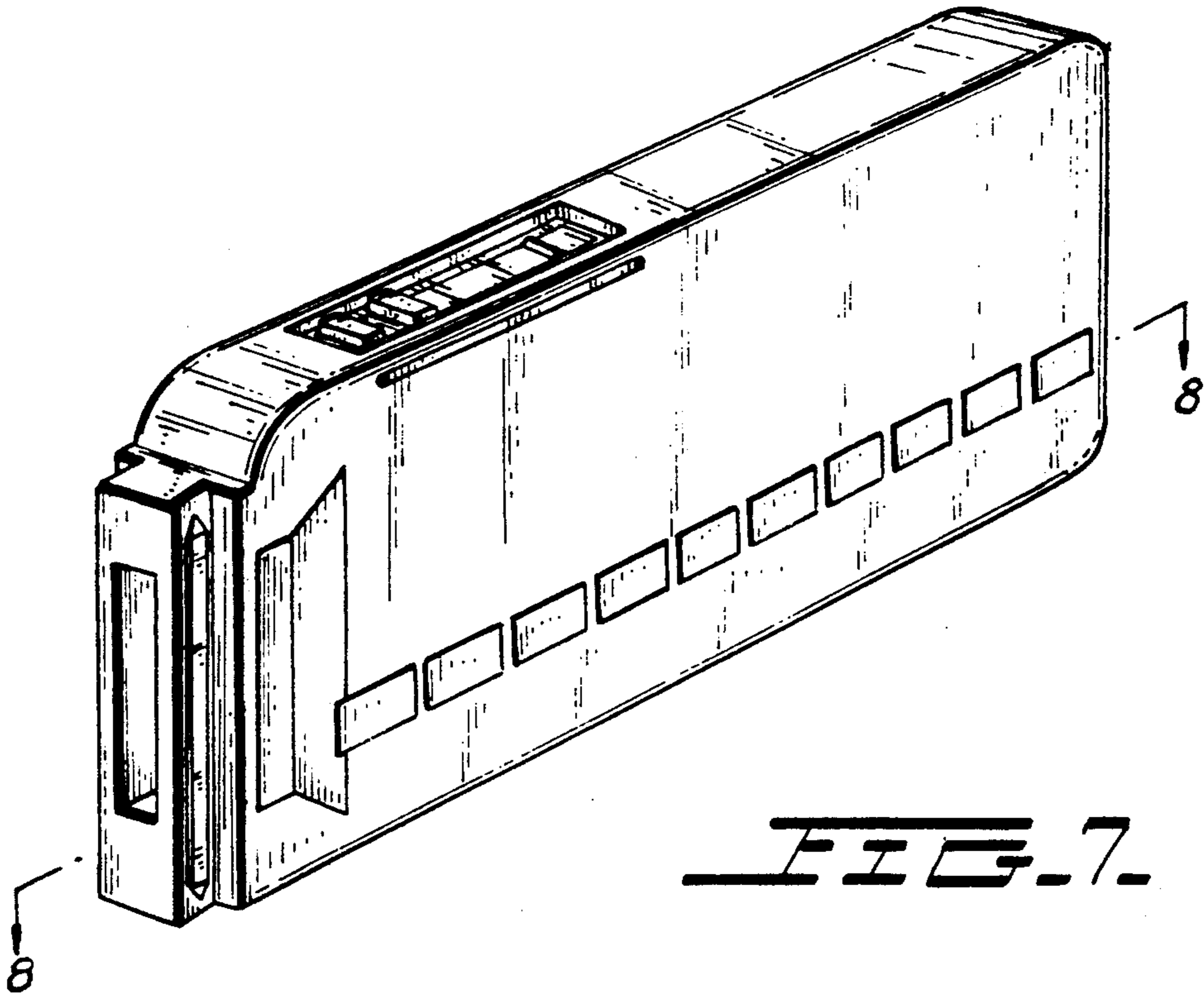


FIG. 7.



FIG. 5.

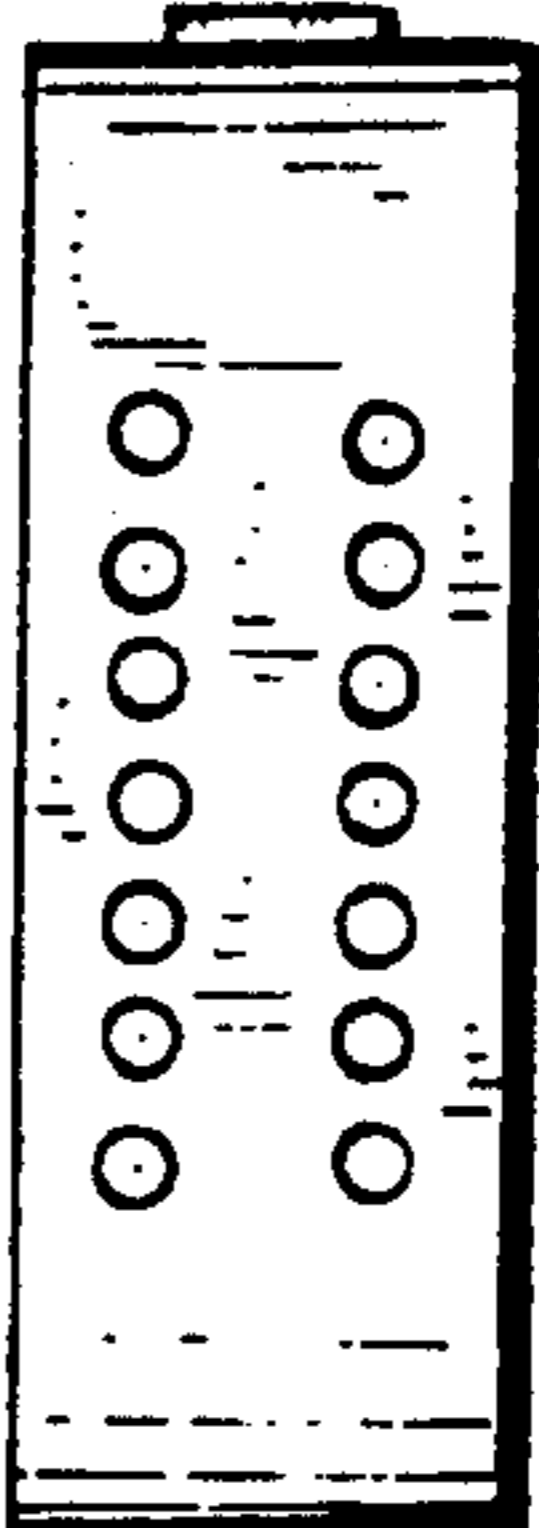


FIG. 6.

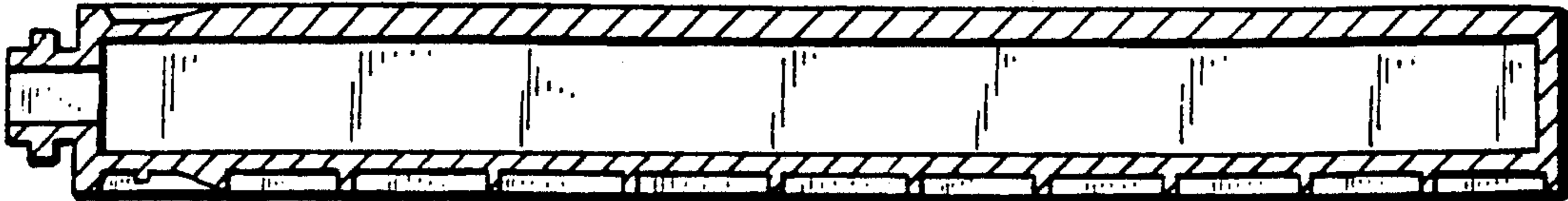


FIG. 8.