



US00D323972S

United States Patent [19]

[11] Patent Number: **Des. 323,972**

Rowland

[45] Date of Patent: **** Feb. 18, 1992**

[54] **FLEXIBLE ELEMENT HOLDER**

[75] Inventor: **David E. Rowland**, Bonita, Calif.

[73] Assignee: **Janice L. Rowland**, Imperial Beach, Calif.

[**] Term: **14 Years**

[21] Appl. No.: **363,609**

[22] Filed: **Jun. 8, 1989**

4,182,005	1/1980	Harrington	24/16 PB
4,510,650	4/1985	Espinoza	24/16 PB
4,726,558	2/1988	Ozone et al.	248/74.2
4,752,054	6/1988	Jonsson	248/51
4,779,828	10/1988	Munch	248/74.3

FOREIGN PATENT DOCUMENTS

2012300 9/1971 Fed. Rep. of Germany ... 24/16 PB

Primary Examiner—Bernard Ansher
Assistant Examiner—R. Barkai
Attorney, Agent, or Firm—William D. Hall

Related U.S. Application Data

[63] Continuation-in-part of Ser. No. 176,670, Apr. 1, 1988, abandoned.

[52] U.S. Cl. **D8/394**

[58] Field of Search **D8/73, 349, 371, 373, D8/382, 388, 394, 395, 396; 248/74.3, 74.2, 74.1, 65, 57; 24/15 PB, 16 R, 205, 298, 300, 301, 302, 500, 507**

[57] **CLAIM**

The ornamental design for a flexible element, as shown and described.

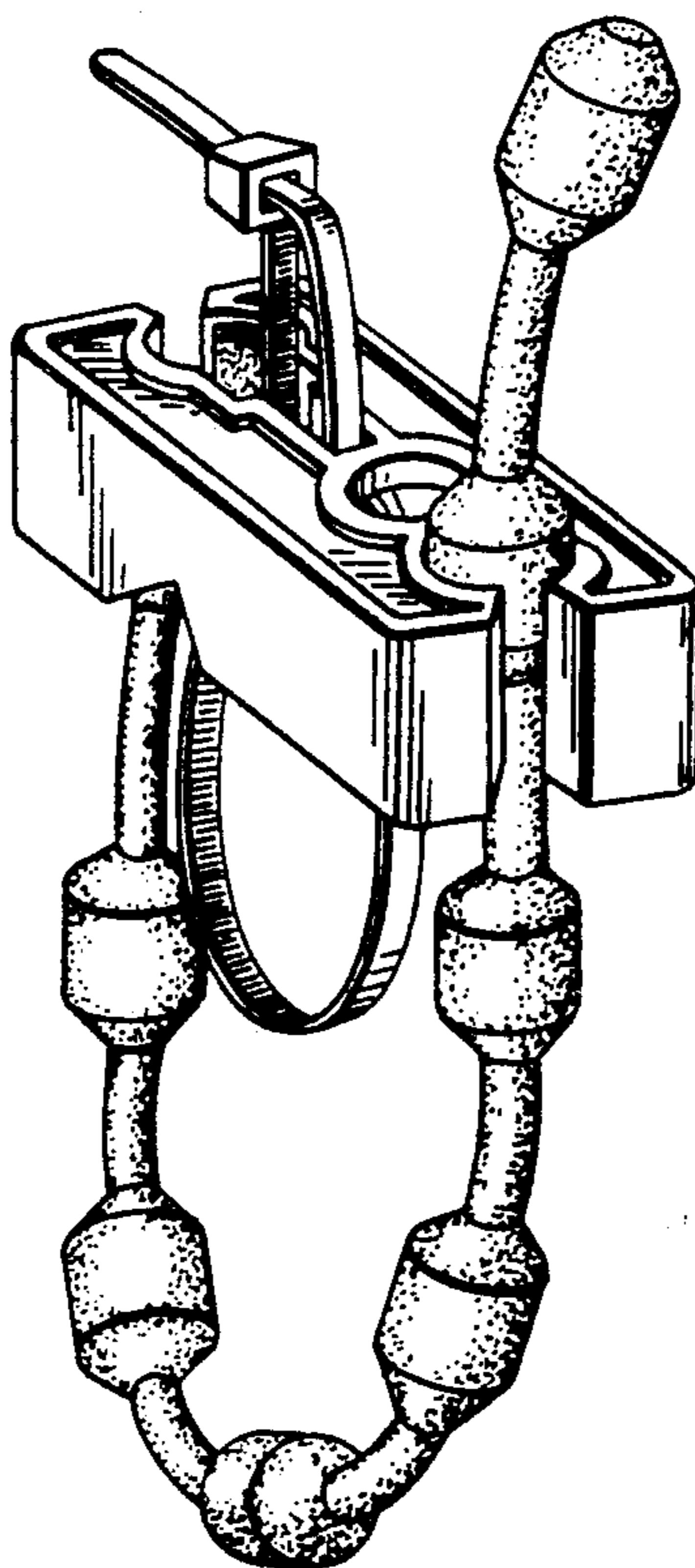
DESCRIPTION

FIG. 1 is a perspective view of a flexible element holder showing my new design;
FIG. 2 is a top plan view thereof the body portion;
FIG. 3 is a bottom plan view thereof;
FIG. 4 is an elevational view of FIG. 1 with the beaded cord member omitted, the side opposite being a mirror image;
FIG. 5 is a left end elevational view of thereof the body portion;
FIG. 6 is a right end elevational view thereof;
FIG. 7 is a perspective view of the beaded cord member, the side opposite being substantially a mirror image; and
FIG. 8 is a side elevational view of a modified embodiment of the beaded cord member shown in fragment.

[56] **References Cited**

U.S. PATENT DOCUMENTS

49,673	9/1916	Pleister	D8/383
D. 207,057	2/1967	Palmer	D8/395
D. 228,622	10/1973	Juhlin	D8/373
D. 273,361	4/1984	Suzuki	D8/396
D. 307,494	4/1990	Goodnight	D8/395
3,319,912	5/1967	Crowther	248/74.1
3,630,195	12/1971	Santomieri	248/74.2
3,712,655	1/1973	Feuhrer	24/16 PB
3,721,750	3/1973	Countryman	24/16



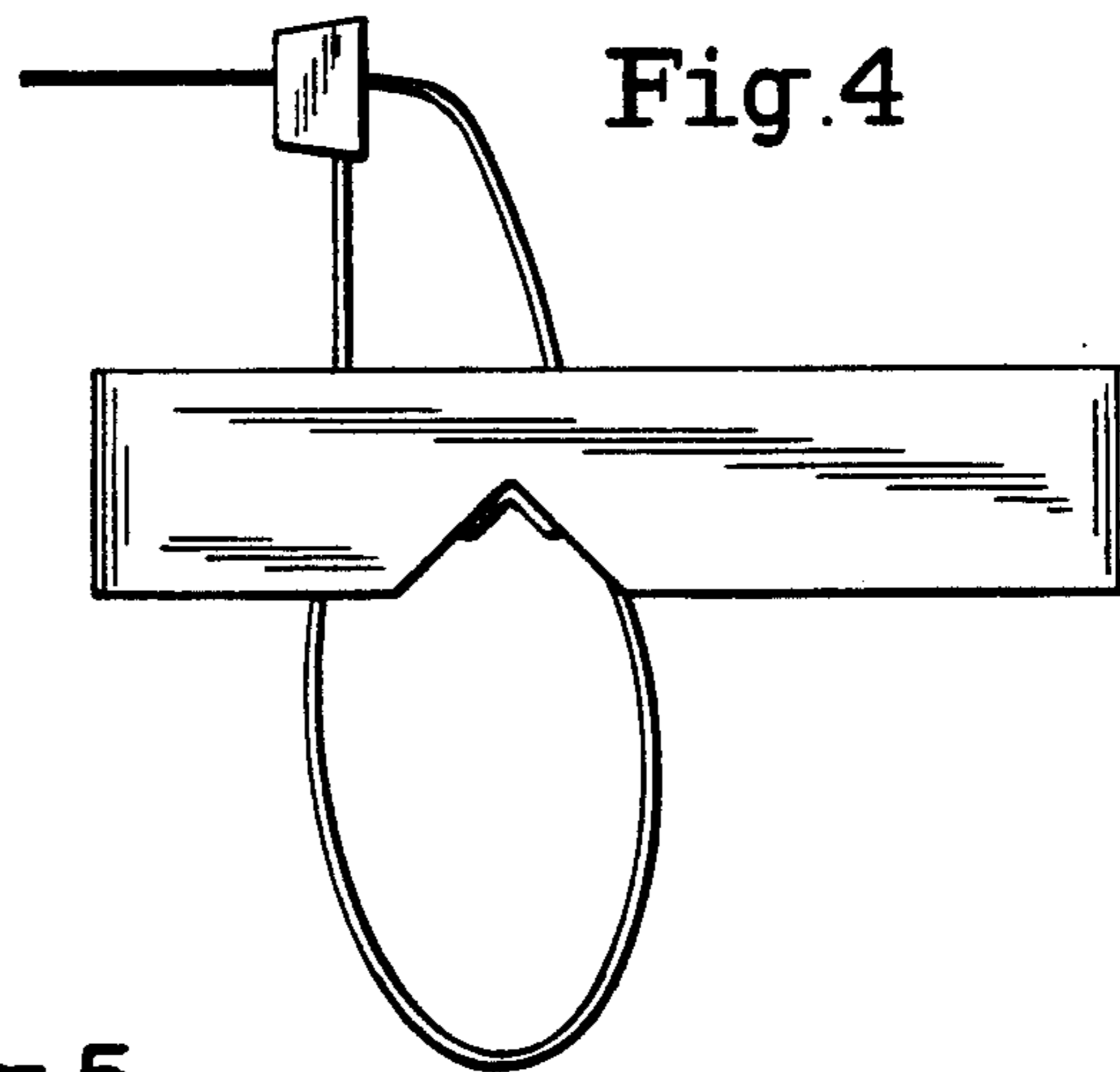
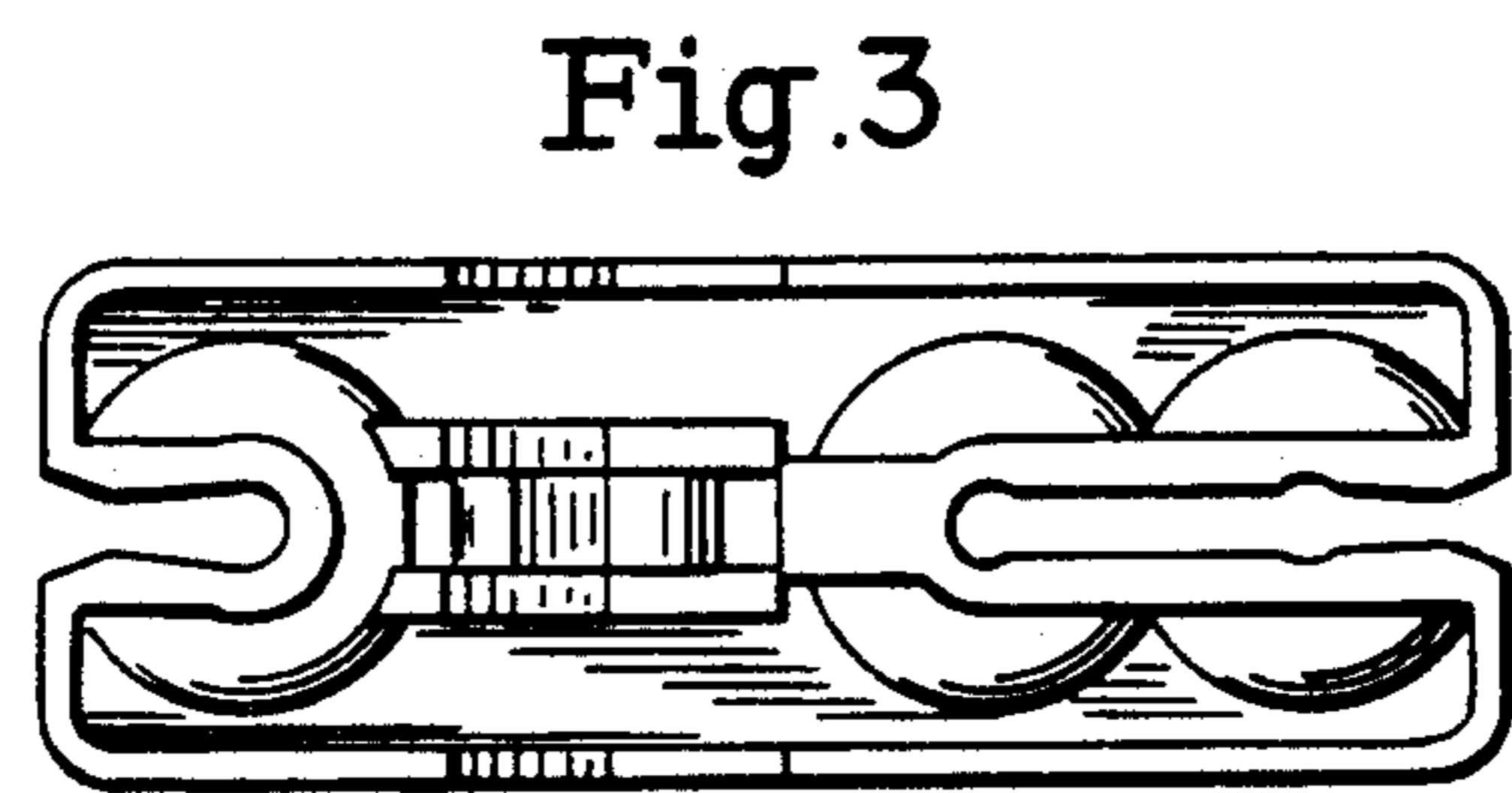
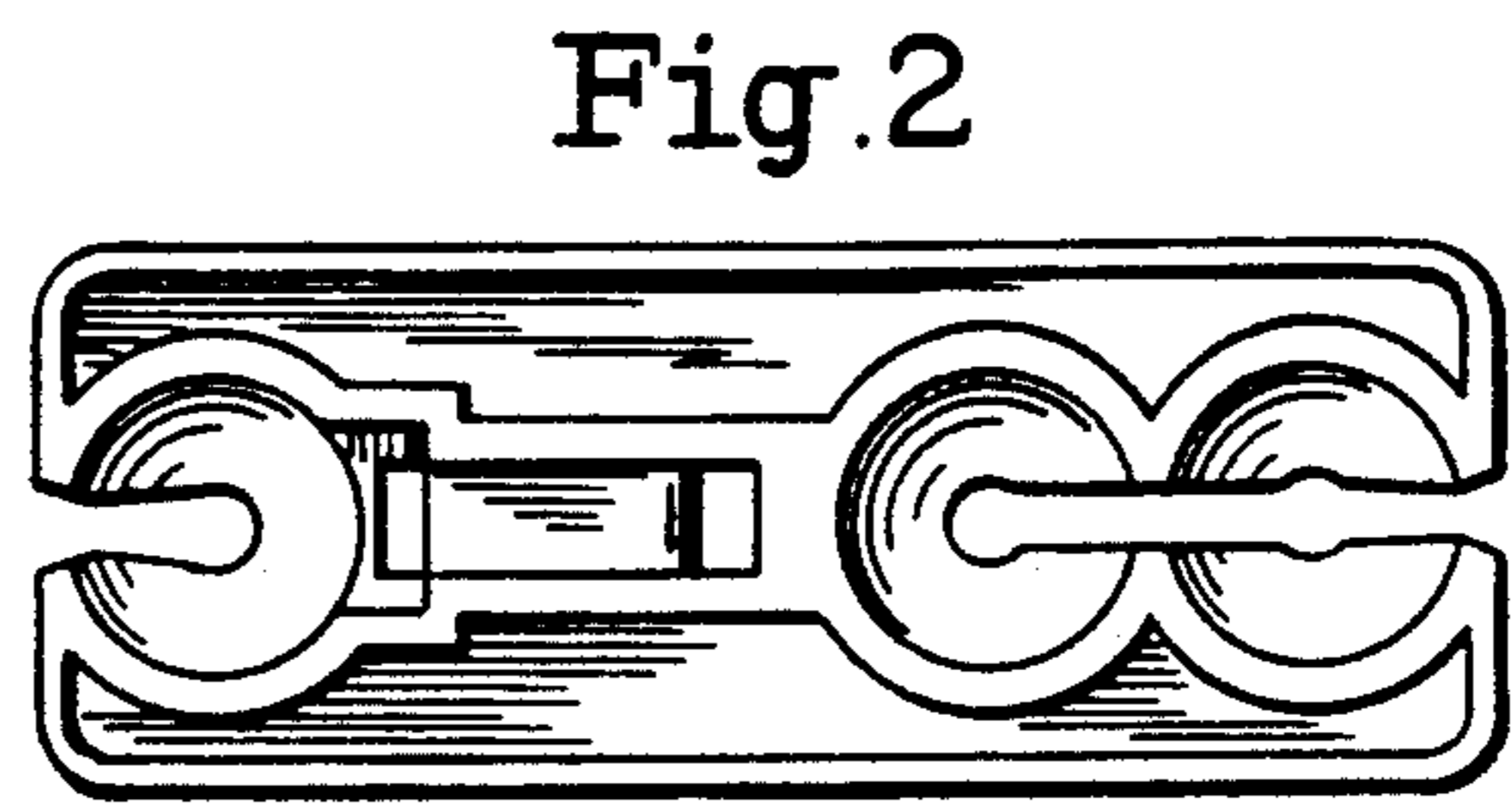
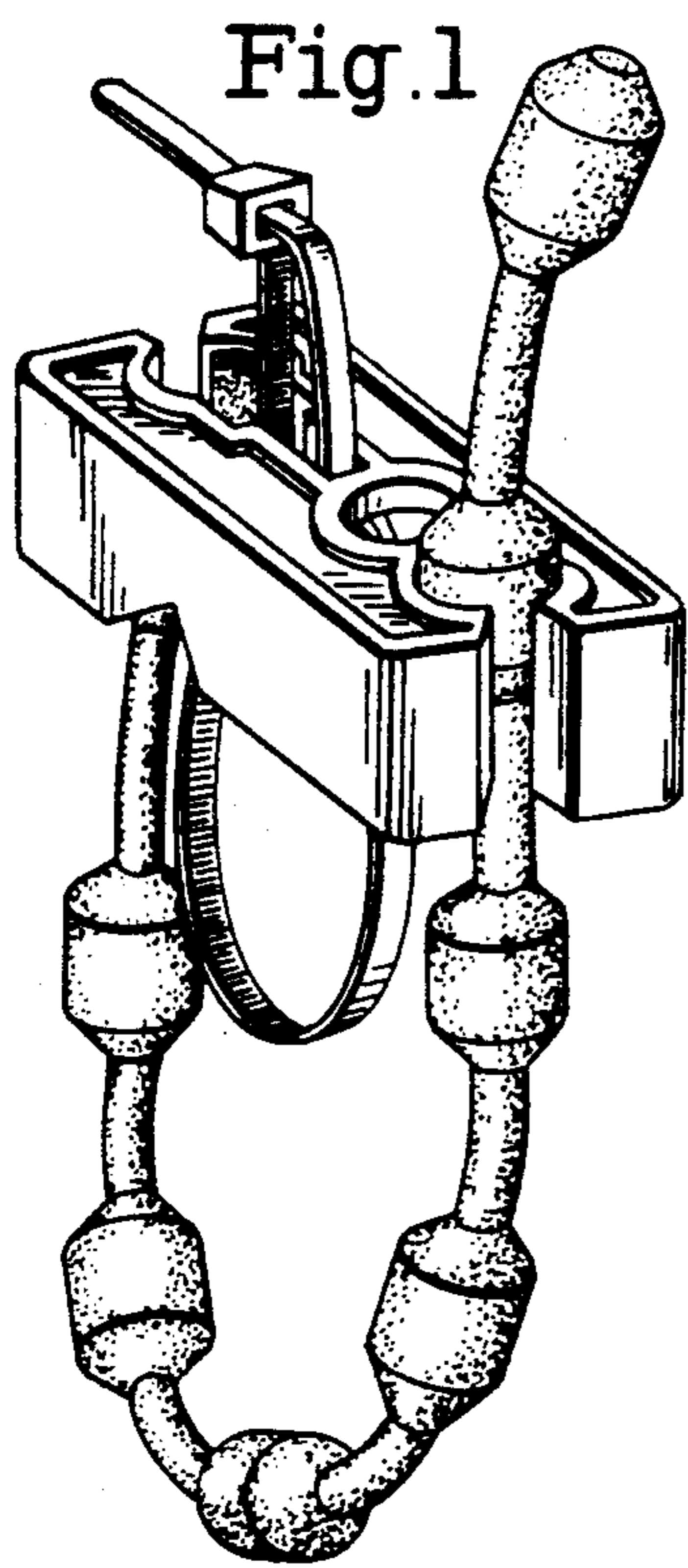


Fig.7

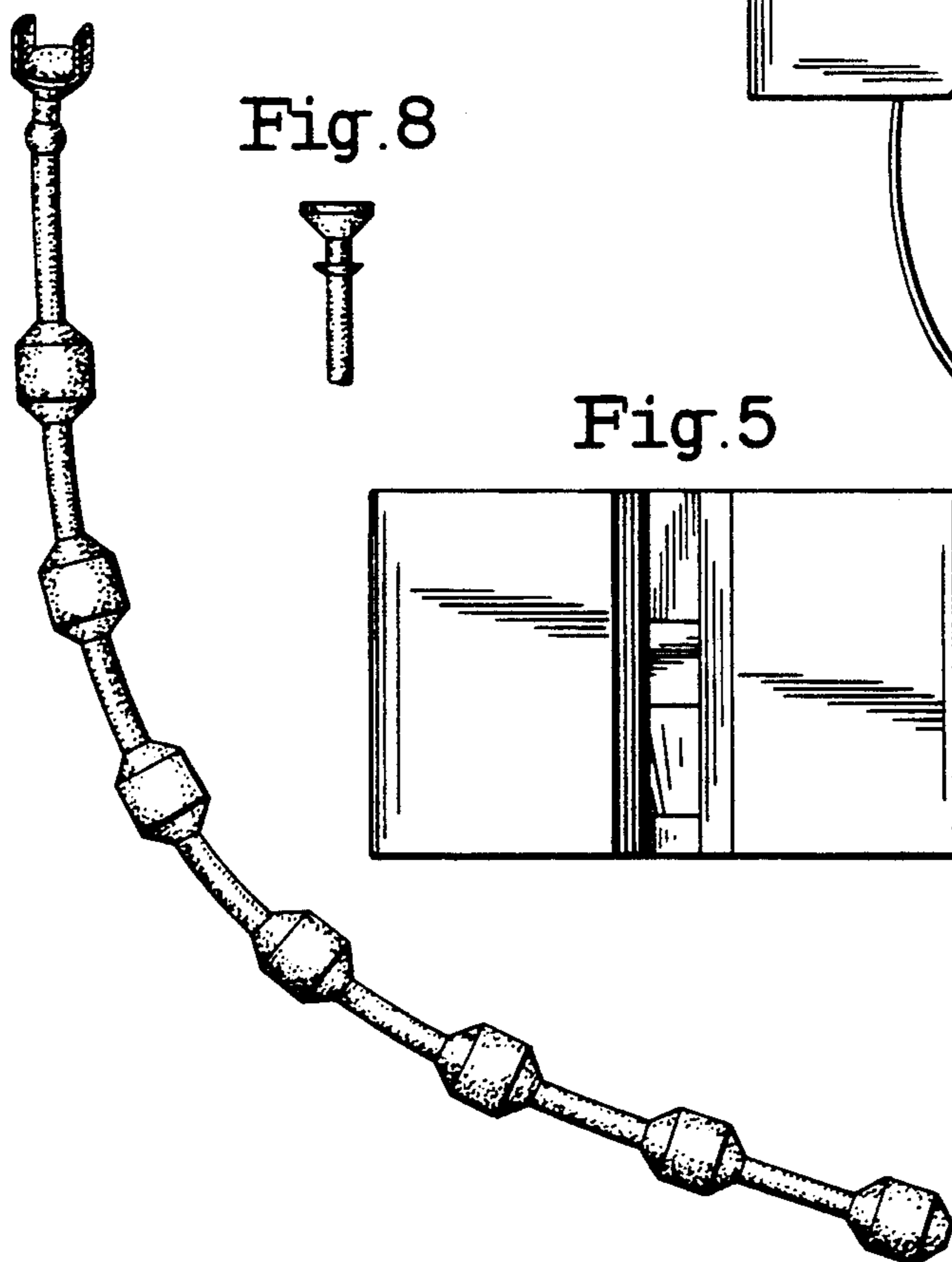


Fig.8



Fig.5

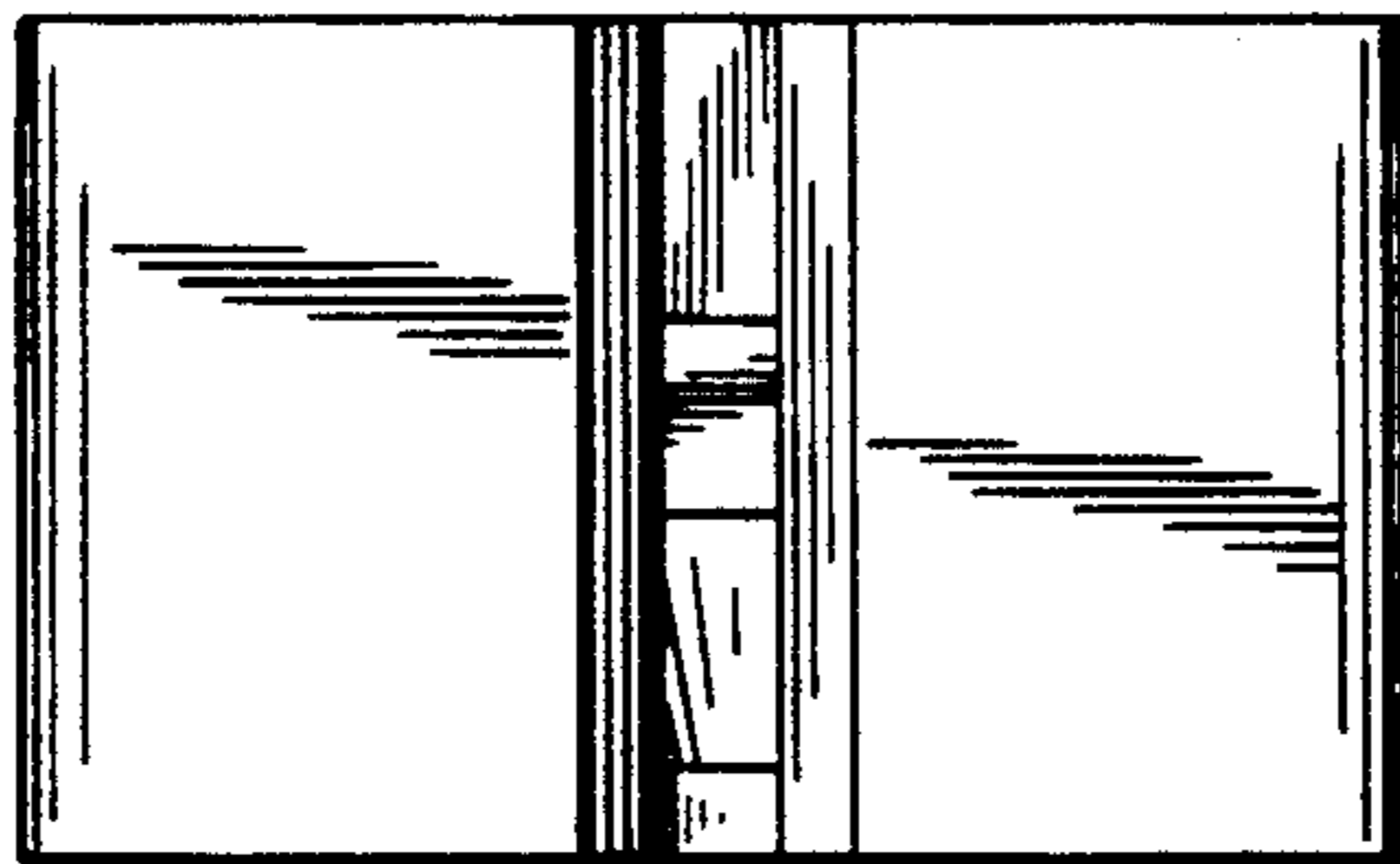


Fig.6

