



US00D323965S

# United States Patent [19]

[11] Patent Number: **Des. 323,965**

Moller et al.

[45] Date of Patent: **\*\* Feb. 18, 1992**

## [54] INNER DRIVE PORTION OF A CIRCULAR SAW BLADE

[75] Inventors: **Karl H. Moller, Westlake; Andrew L. Jedick, Avonlake, both of Ohio**

[73] Assignee: **Diamond Products, Inc., Elyria, Ohio**

[\*\*] Term: **14 Years**

[21] Appl. No.: **348,764**

[22] Filed: **May 8, 1989**

[52] U.S. Cl. .... **D8/70**

[58] Field of Search ..... **D8/70; 125/15, 17; 51/266; D15/17, 15; 30/346, 347; 83/835**

## [56] References Cited

### U.S. PATENT DOCUMENTS

2,094,650	10/1937	Hall .....	51/266
3,064,399	11/1962	Anderson .....	125/15
3,291,583	12/1966	Lindblad .....	125/15
3,363,617	1/1968	Hoerer .....	125/15
3,513,821	5/1970	Bouvier .....	125/15
3,599,622	8/1971	Baron .....	125/15
3,754,359	8/1973	Scandaletos .....	51/266

## OTHER PUBLICATIONS

Dry Cutting Diamond Blades—Cushion Cut—undated.  
Sankyo Diamond Tools—Sankyo Diamond Industrial Co., Ltd.—undated.

Saidcer Saidtur—Said S.p.a. of Italy—undated.

Astro Laser, Dry-Cutting Diamond Saw Blade—Truco—undated.

*Primary Examiner*—Nelson C. Holtje

*Assistant Examiner*—J. H. Musgrove

*Attorney, Agent, or Firm*—Renner, Otto, Boisselle & Sklar

## [57] CLAIM

The ornamental design for inner drive portion of a circular saw blade, as shown and described.

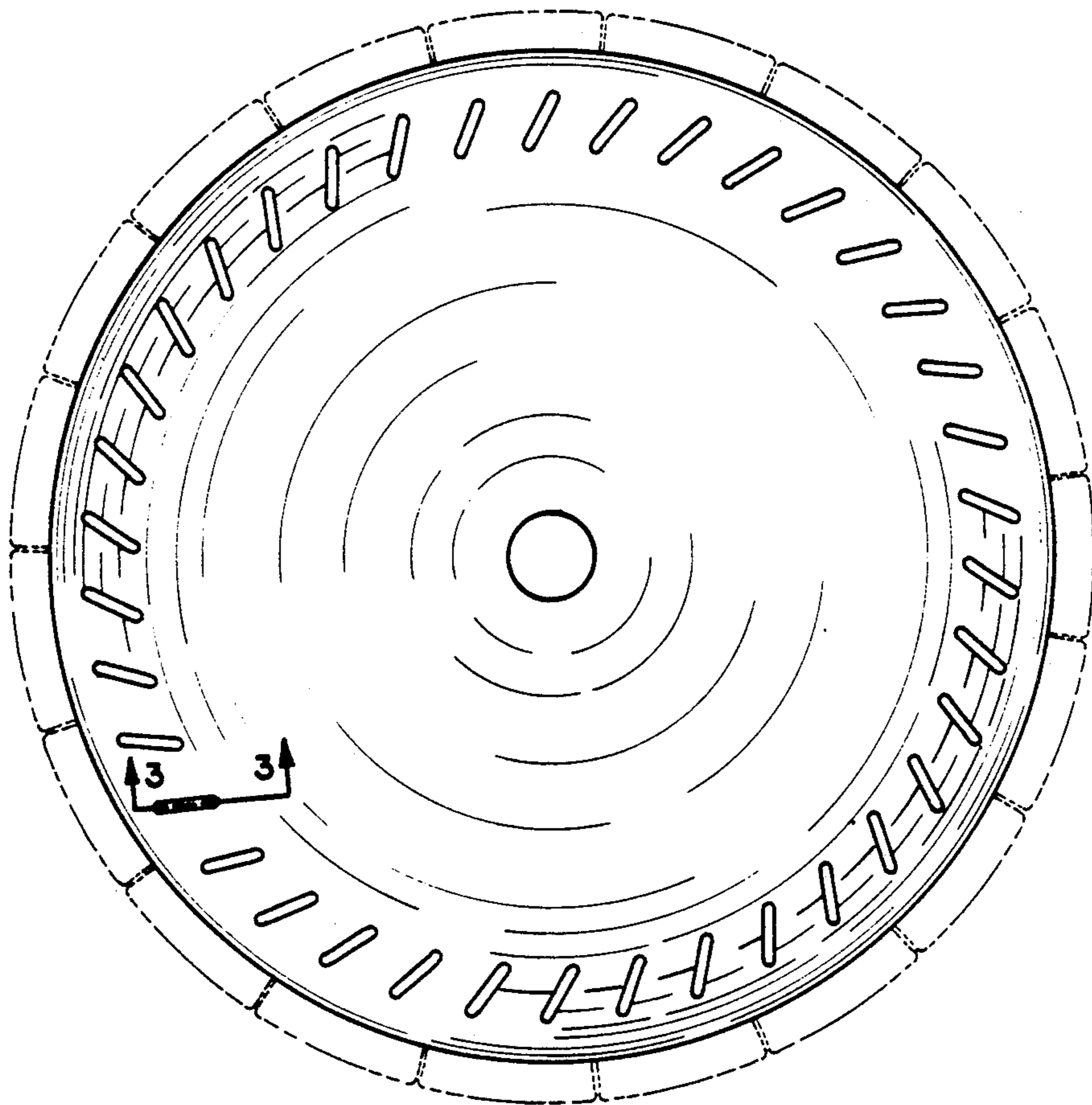
## DESCRIPTION

FIG. 1 is a right side elevational view of a inner drive portion of a circular saw blade showing our new design the opposite side being a mirror image thereof;

FIG. 2 is a top plan view the bottom plan view being a mirror image; and

FIG. 3 is an enlarged cross sectional view taken along line 3—3 of FIG. 1.

The broken line showing of FIGS. 1 and 2 is for illustrative purposes only and forms no part of the claimed design.



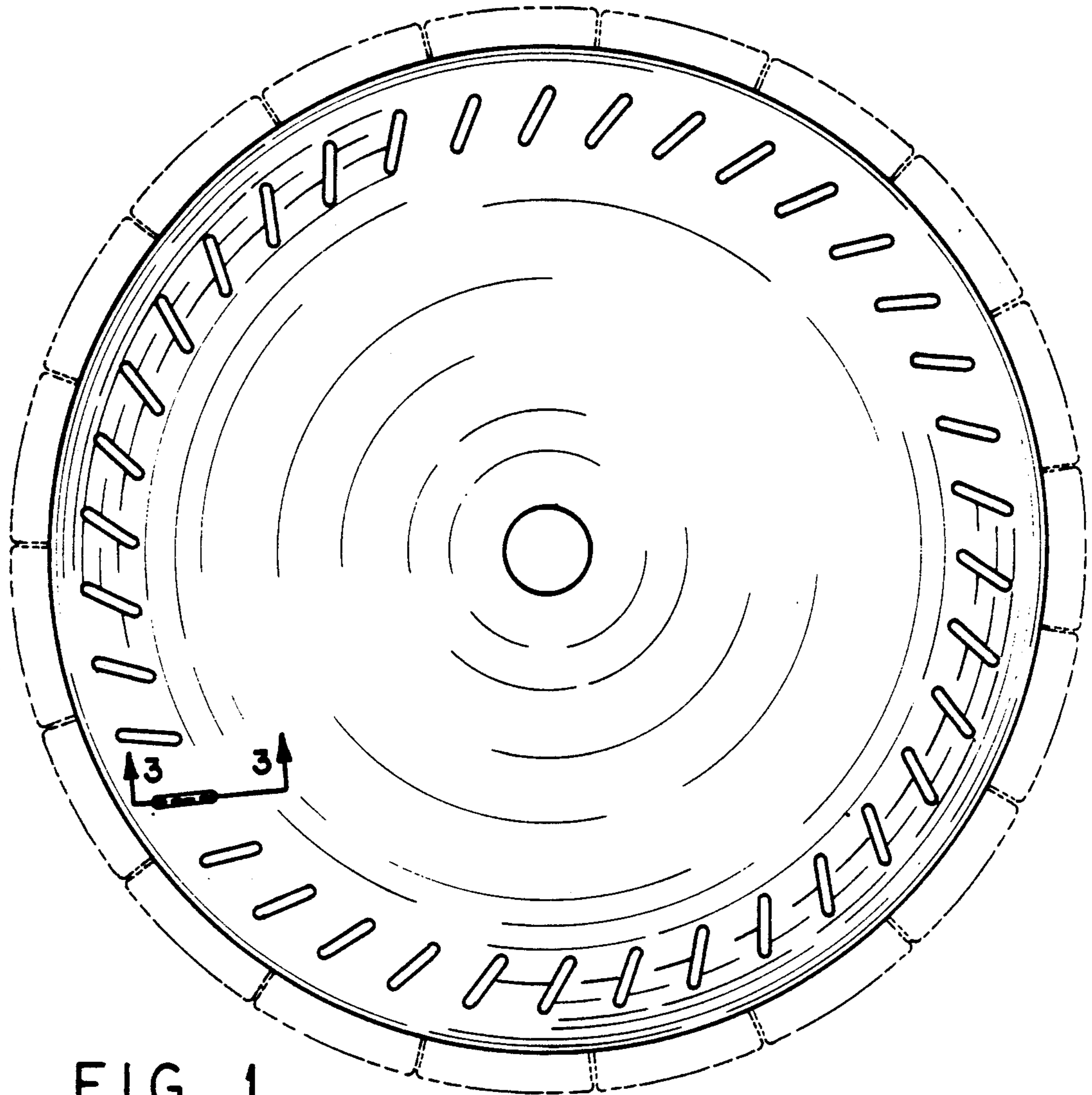


FIG. 1

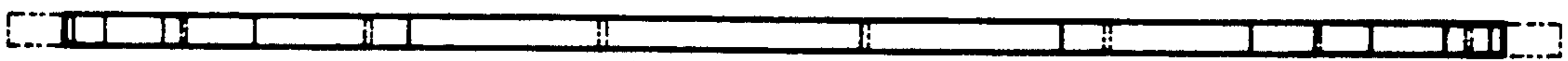


FIG. 2



FIG. 3