



US00D323964S

United States Patent [19]

Ogawa et al.

[11] Patent Number: **Des. 323,964**

[45] Date of Patent: **** Feb. 18, 1992**

[54] **PNEUMATIC NAILER**

[75] Inventors: **Yasunori Ogawa, Mito; Akira Uno, Hitachioota; Isamu Tanji, Katsuta, all of Japan**

[73] Assignee: **Hitachi Koki Company, Limited, Japan**

[**] Term: **14 Years**

[21] Appl. No.: **361,001**

[22] Filed: **May 31, 1989**

[30] **Foreign Application Priority Data**

Dec. 2, 1988 [JP] Japan 63-47293

[52] U.S. Cl. **D8/69**

[58] Field of Search D8/49, 50, 69, 61, 68; 173/163, 169, 170; 81/54, 57.11, 57.14; 408/124

[56] **References Cited**

U.S. PATENT DOCUMENTS

D. 211,207	5/1968	Bader	D8/69
D. 243,742	3/1977	House et al.	D8/69
D. 280,379	9/1985	Somers	D8/68

D. 288,060	2/1987	Somers	D8/69
3,610,582	10/1971	Passoni	D8/68 X
3,960,296	6/1976	Nord	D8/68 X
4,039,034	8/1977	Wagner	D8/69 X
4,487,353	12/1984	Benson et al.	D8/68 X
4,567,951	2/1986	Fehrle et al.	D8/68 X

Primary Examiner—Nelson C. Holtje
Assistant Examiner—J. H. Musgrove
Attorney, Agent, or Firm—Lowe, Price, LeBlanc & Becker

[57] **CLAIM**

The ornamental design for a pneumatic nailer, as shown.

DESCRIPTION

FIG. 1 is a right rear perspective view of a pneumatic nailer showing our new design;
FIG. 2 is a right side elevational view thereof;
FIG. 3 is a left side elevational view thereof;
FIG. 4 is a top plan view thereof;
FIG. 5 is a bottom plan view thereof;
FIG. 6 is a front elevational view thereof; and
FIG. 7 is a rear elevational view thereof.

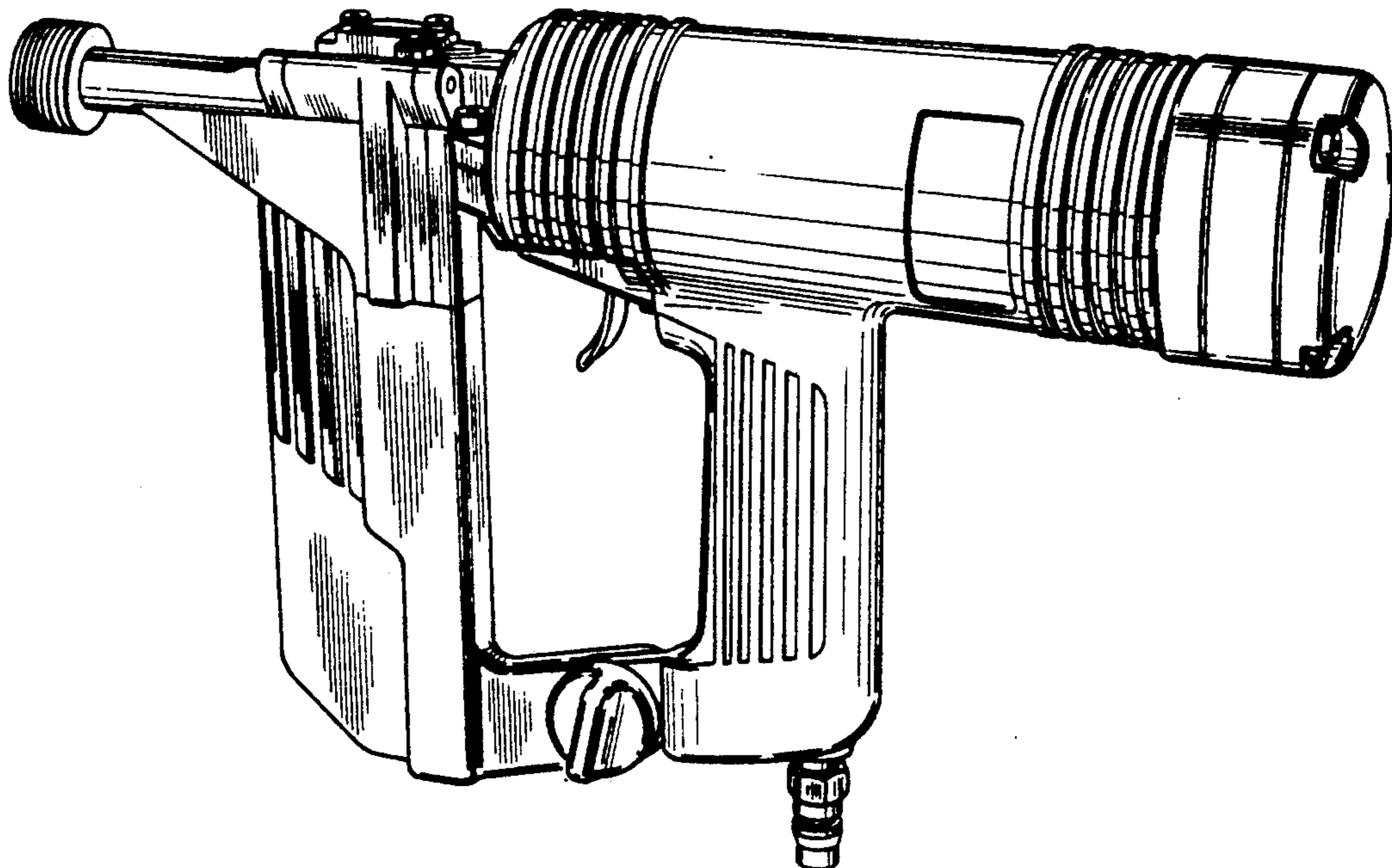


FIG. 1

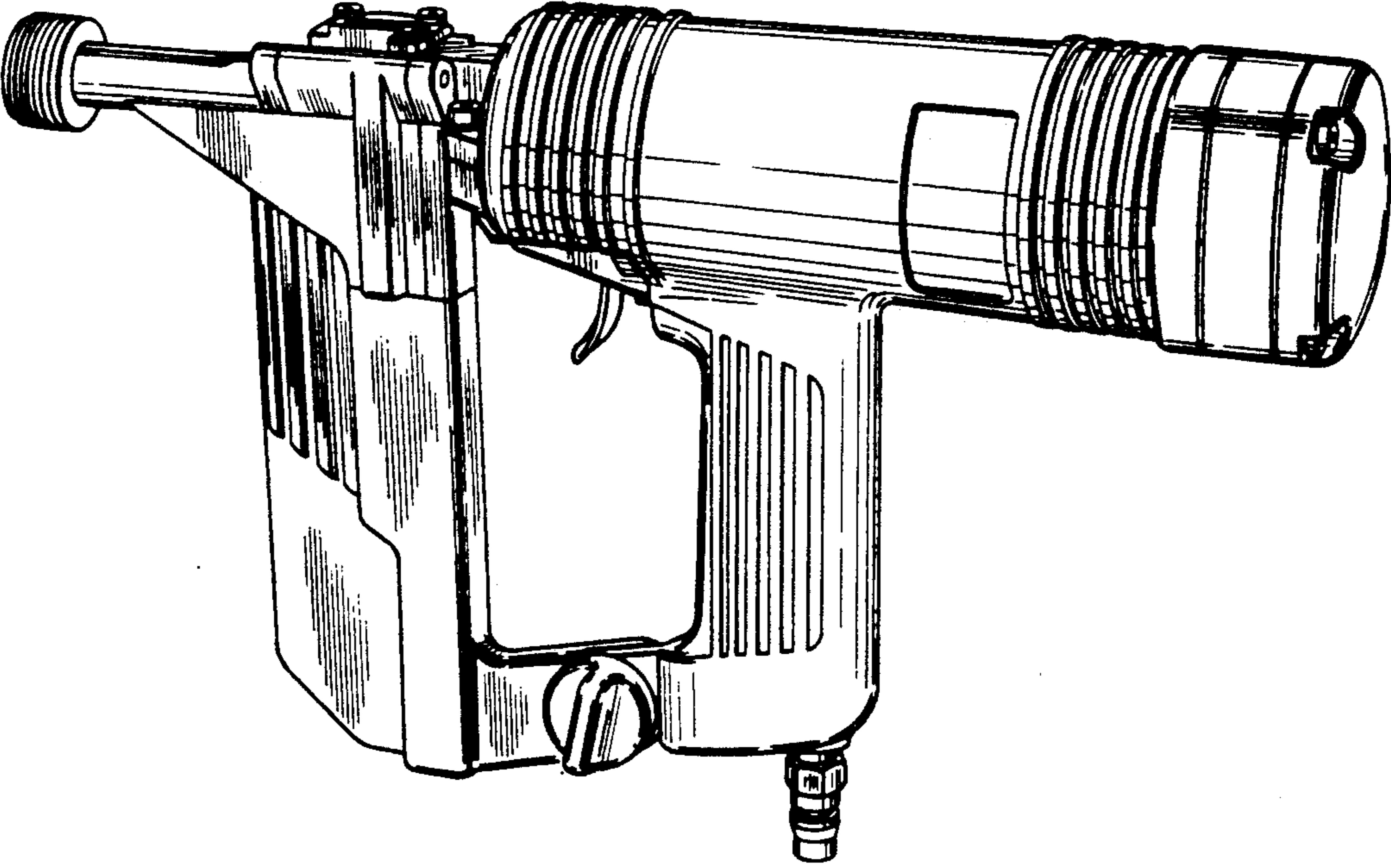


FIG. 2

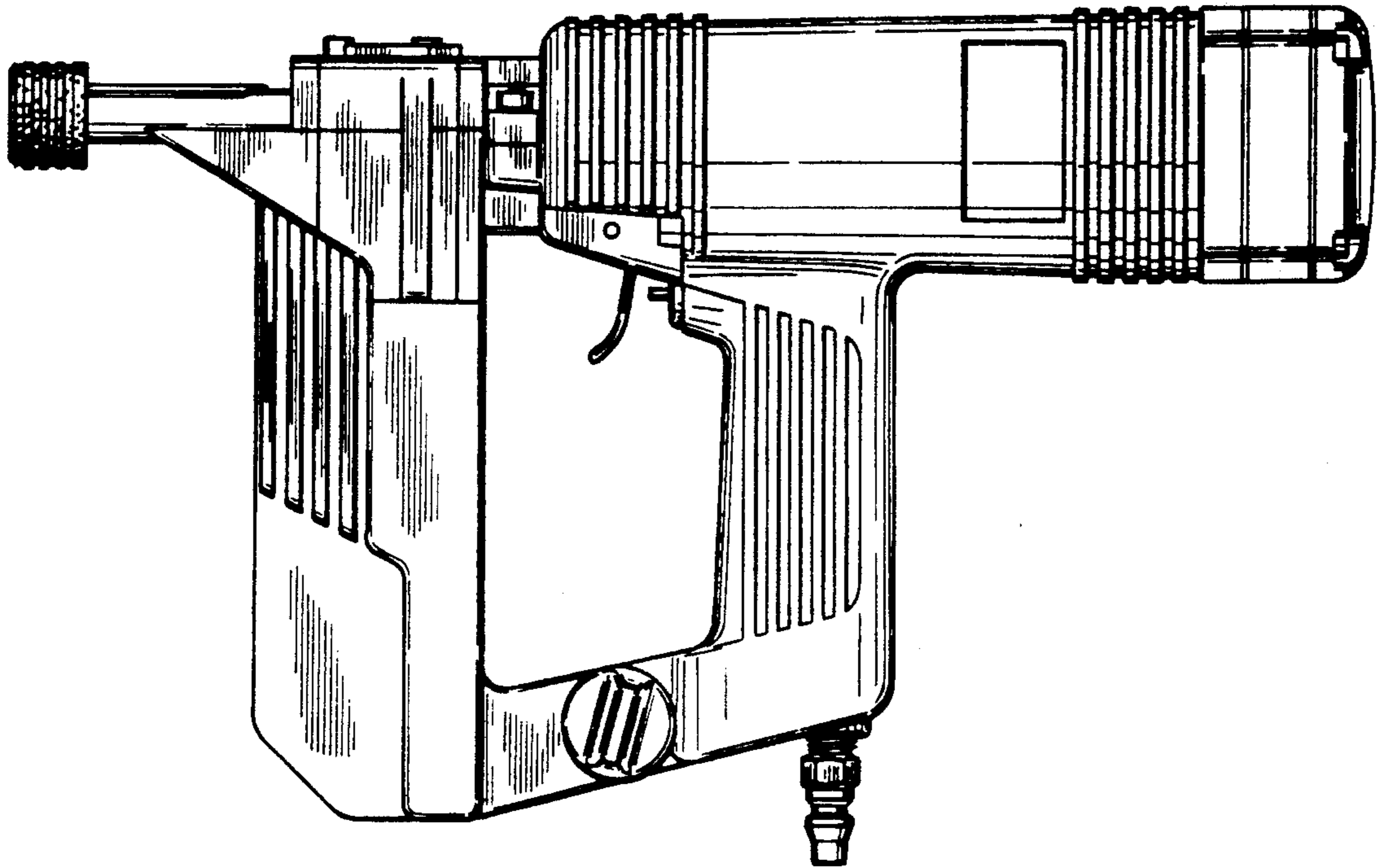


FIG. 3

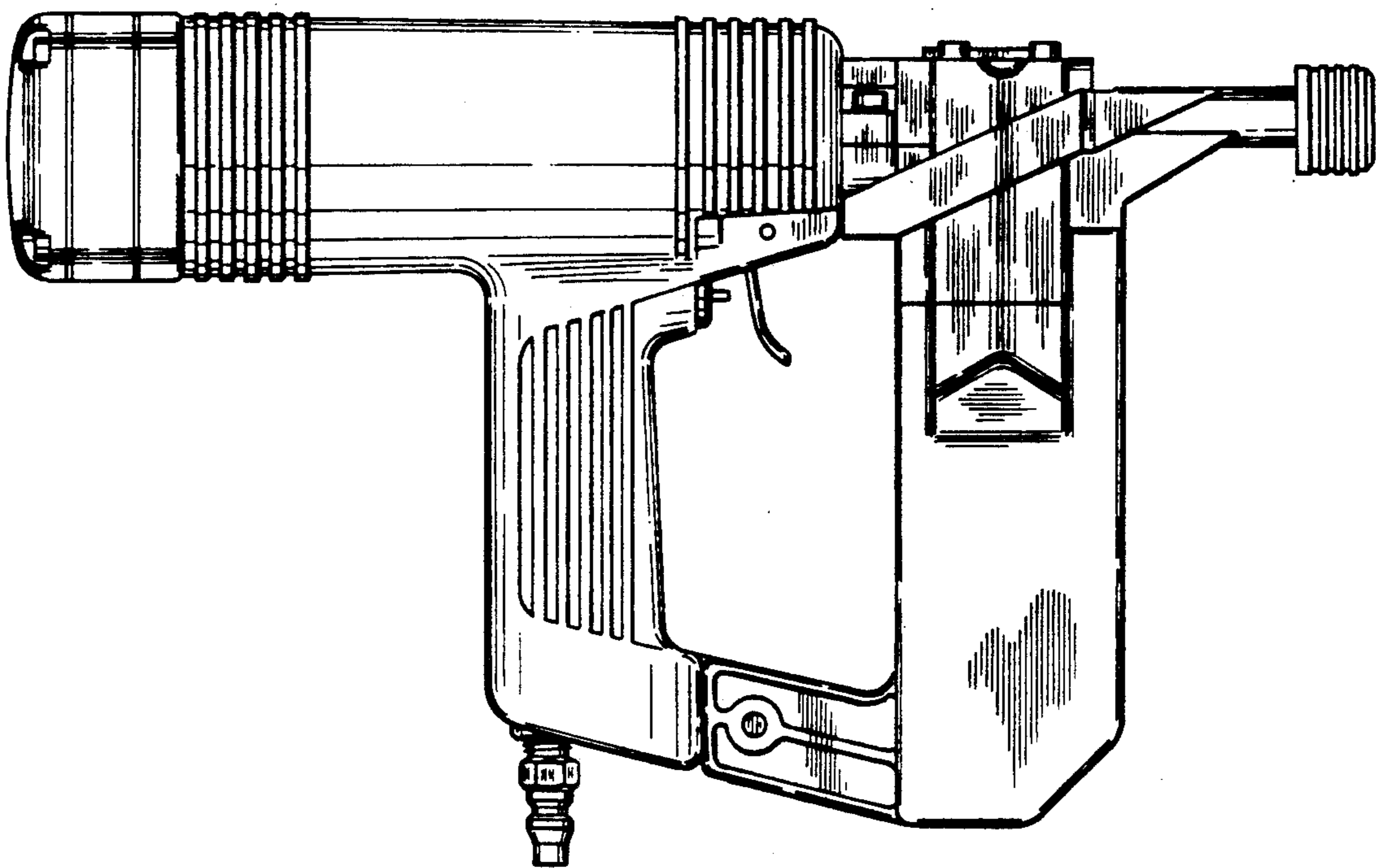


FIG. 4

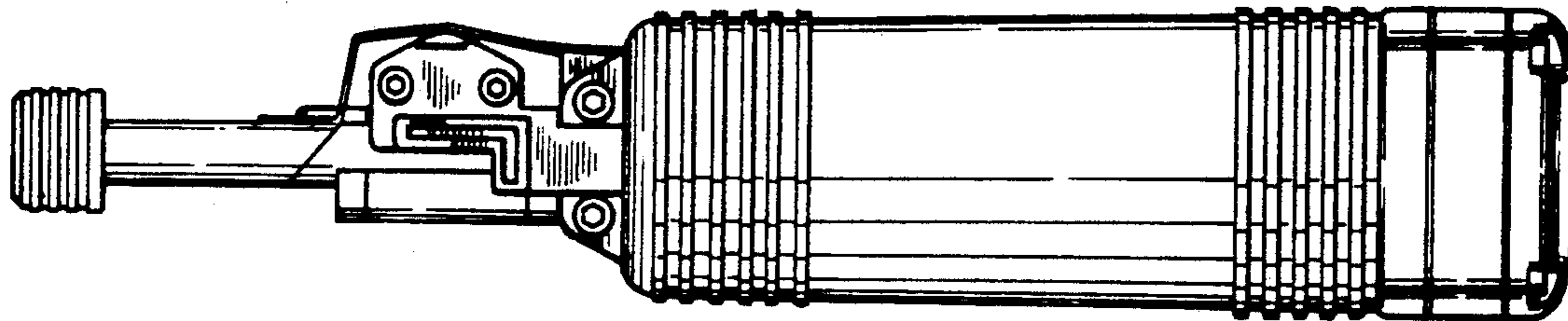


FIG. 5

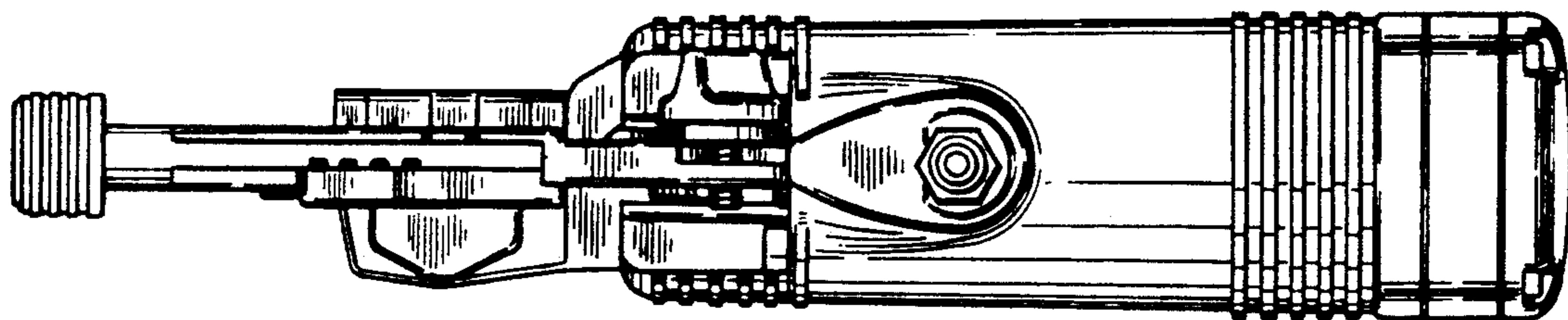


FIG. 6

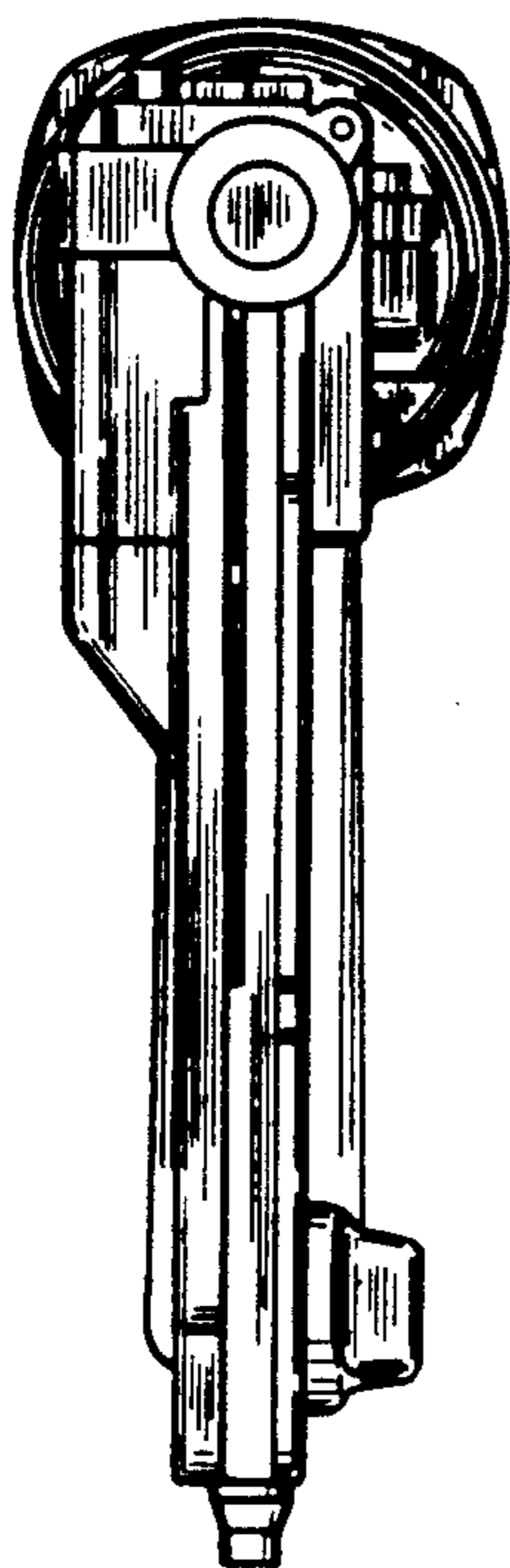


FIG. 7

