



US00D323963S

United States Patent [19]

Bunyea

[11] Patent Number: **Des. 323,963**

[45] Date of Patent: **** Feb. 18, 1992**

[54] **FINISHING SANDER OR SIMILAR ARTICLE**

[75] Inventor: **Roderick F. Bunyea**, Westminster, Md.

[73] Assignee: **Black & Decker Inc.**, Newark, Del.

[**] Term: **14 Years**

[21] Appl. No.: **652,896**

[22] Filed: **Feb. 7, 1991**

3,938,283 2/1976 Keith 51/170 TL
3,967,417 7/1976 Jurak 51/170 TL
4,967,516 11/1990 Hoshino et al. D8/62

OTHER PUBLICATIONS

Aro Industrial Air Tools Catalog, Jun. 1986, p. 23, Model 8448-3.
Makita Catalog (PC-789-500M) pp. 45,46, Models B04510, B04530, B04550, B04550Z.
Hitachi Power Tools Catalog, p. 30, Model SV12SA.
Black & Decker Power Tools Catalog, Copyrighted 1984, p. 59, Model 4008.

Primary Examiner—Nelson C. Holtje
Assistant Examiner—J. H. Musgrove
Attorney, Agent, or Firm—Dennis A. Dearing; Charles E. Yocum; John D. Del Ponti

Related U.S. Application Data

[62] Division of Ser. No. 231,574, Aug. 11, 1988, Pat. No. Des. 317,244.

[52] U.S. Cl. **D8/62**

[58] Field of Search **D8/62; 81/487, 429, 81/126, 54, 57.11, 57.14; 51/170 R, 170 TL, 170 EB, 174, 180; 173/163, 170**

[57] CLAIM

The ornamental design for a finishing sander or similar article, as shown.

[56] References Cited

U.S. PATENT DOCUMENTS

D. 286,736	11/1986	Somers	D8/62
D. 310,007	8/1990	Saito et al.	D8/62
D. 314,124	1/1991	Roger et al.	D8/62
D. 314,125	1/1991	Ogawa et al.	D8/62
2,224,140	12/1940	Champayne	D8/62
2,553,688	5/1951	Thompson	D8/62
3,364,625	1/1968	Sogge	51/170 R

DESCRIPTION

FIG. 1 is a left side elevational view of a finishing sander or similar article showing my new design;
FIG. 2 is a right side elevational view;
FIG. 3 is a rear elevational view;
FIG. 4 is a top plan view;
FIG. 5 is a bottom plan view; and
FIG. 6 is a front elevational view thereof.

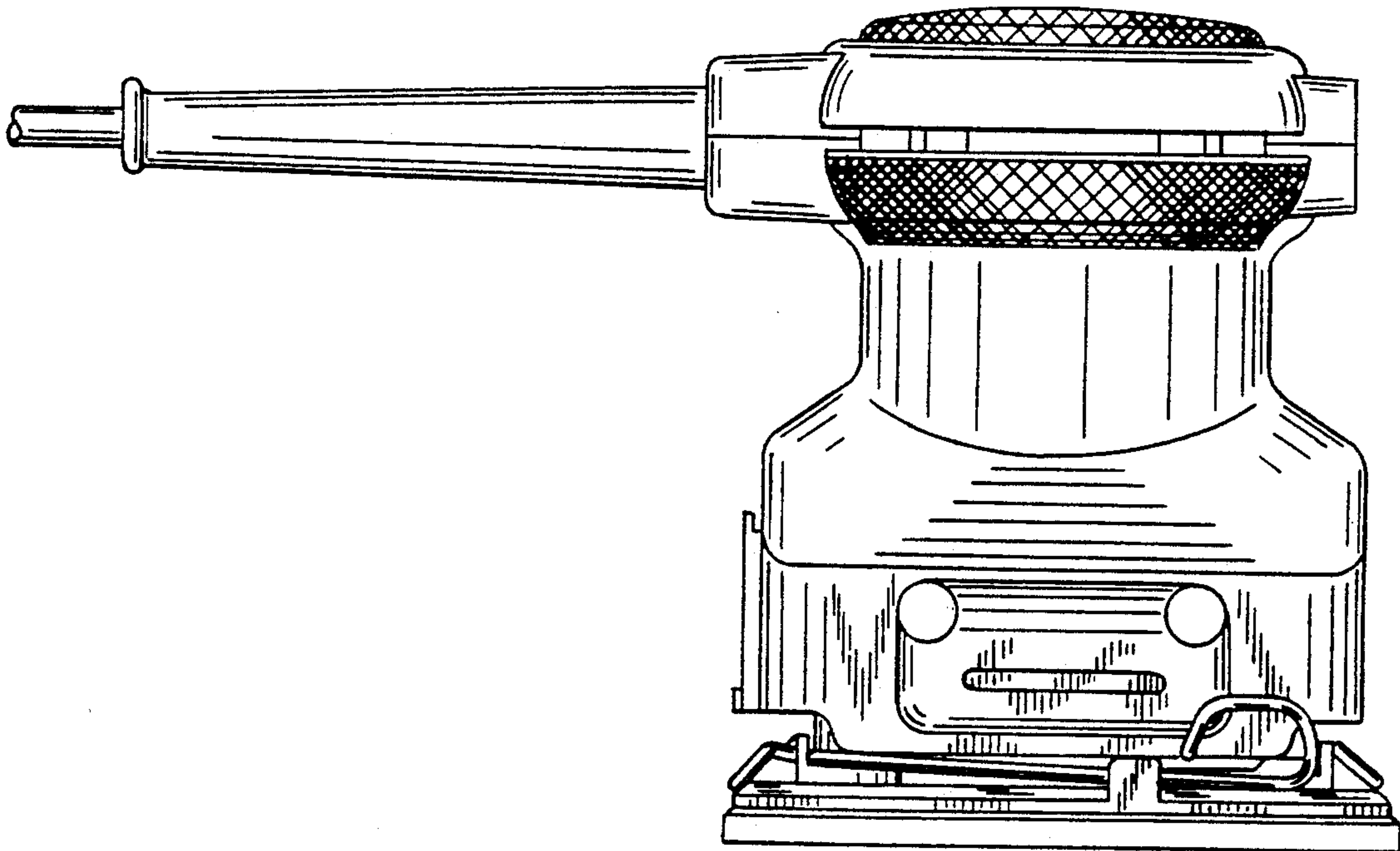


FIG. 1

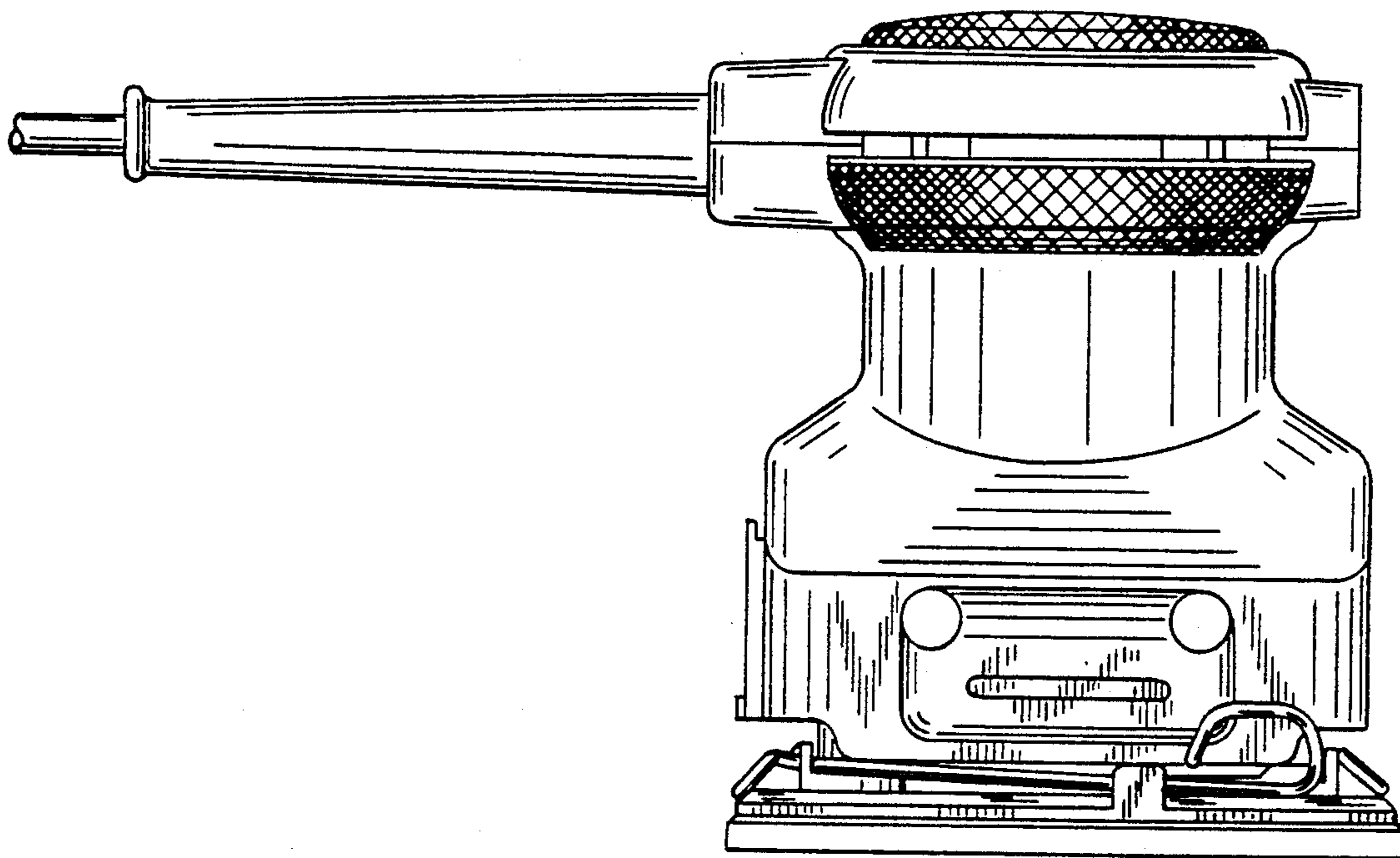
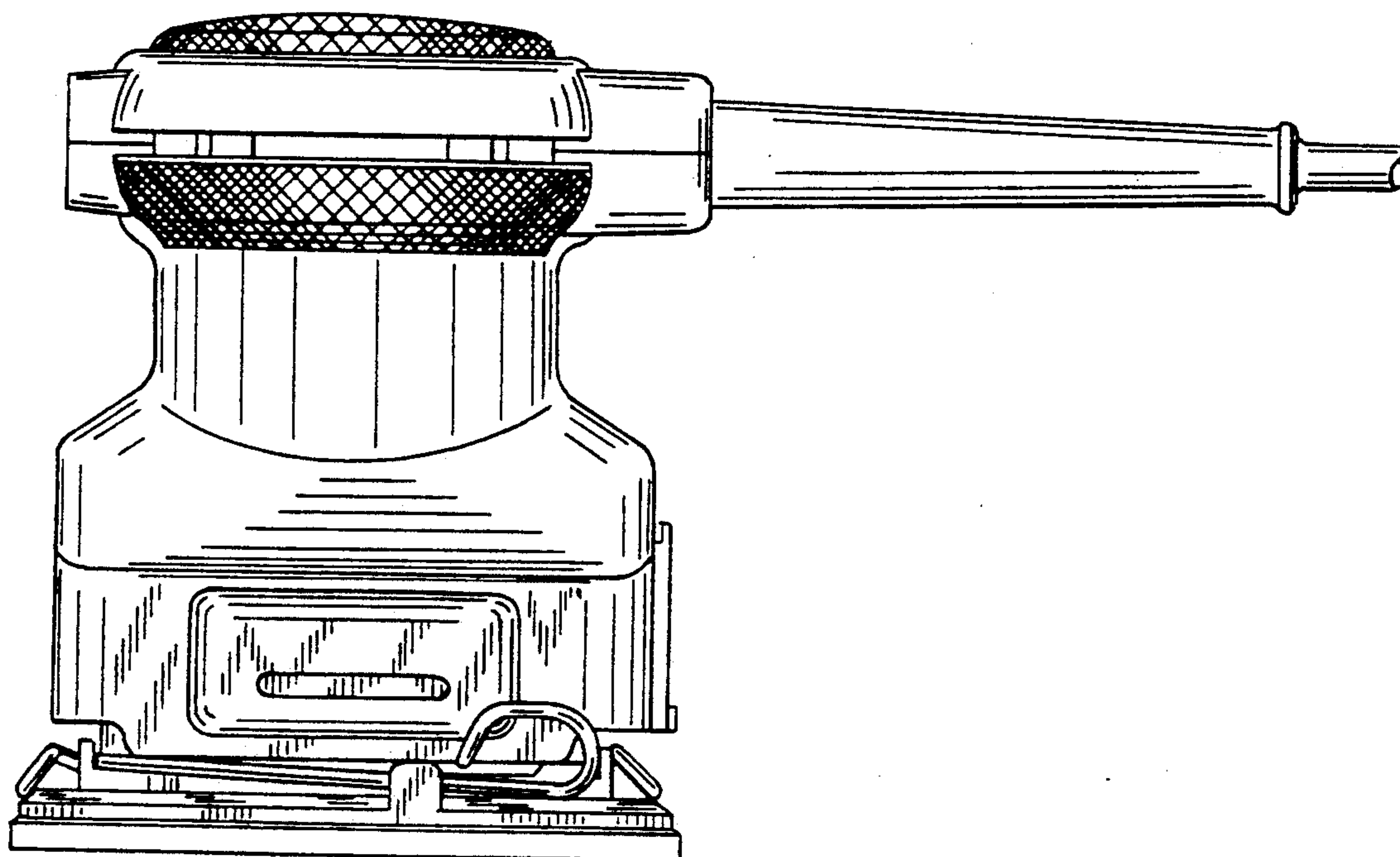


FIG. 2



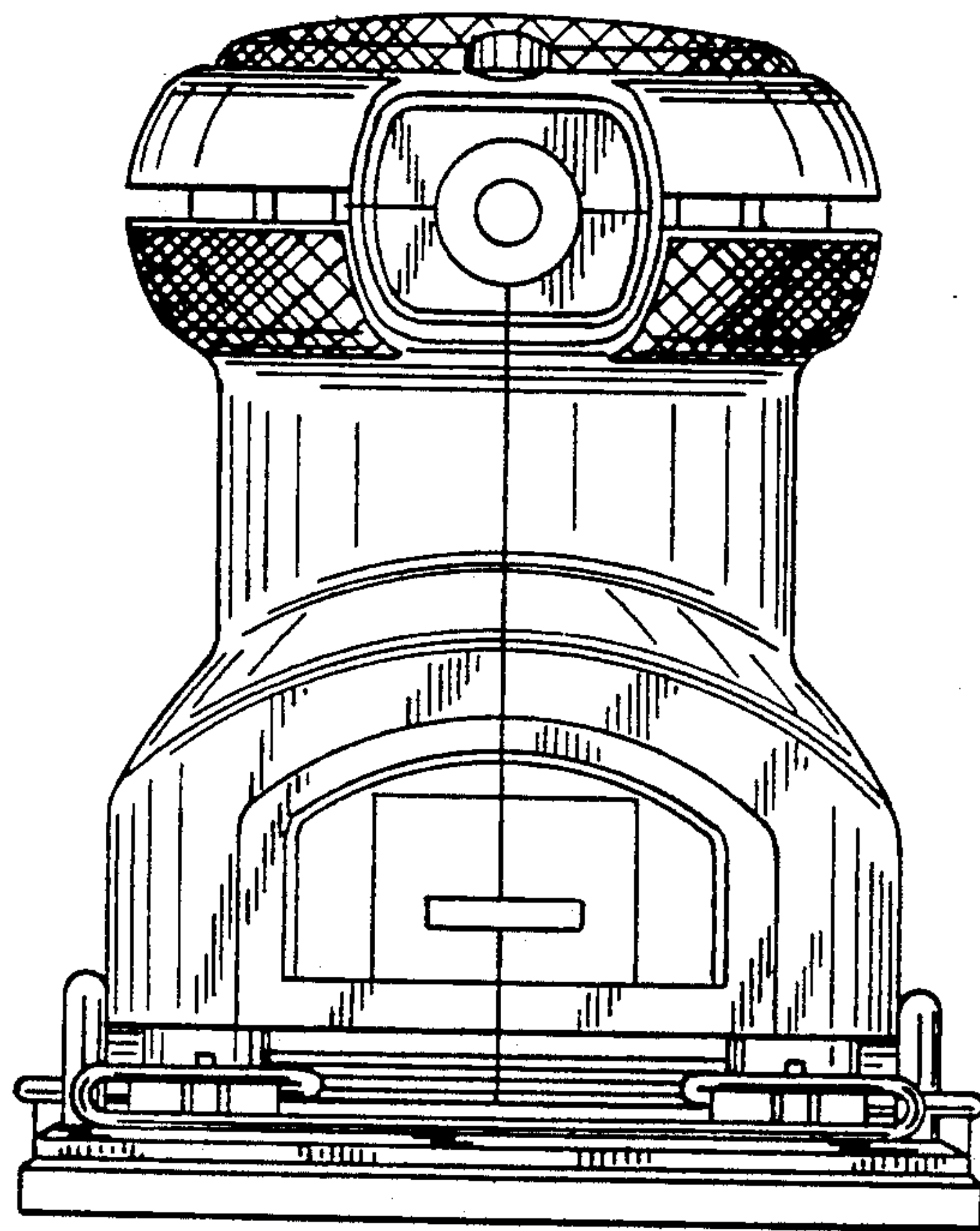


FIG. 3

FIG. 4

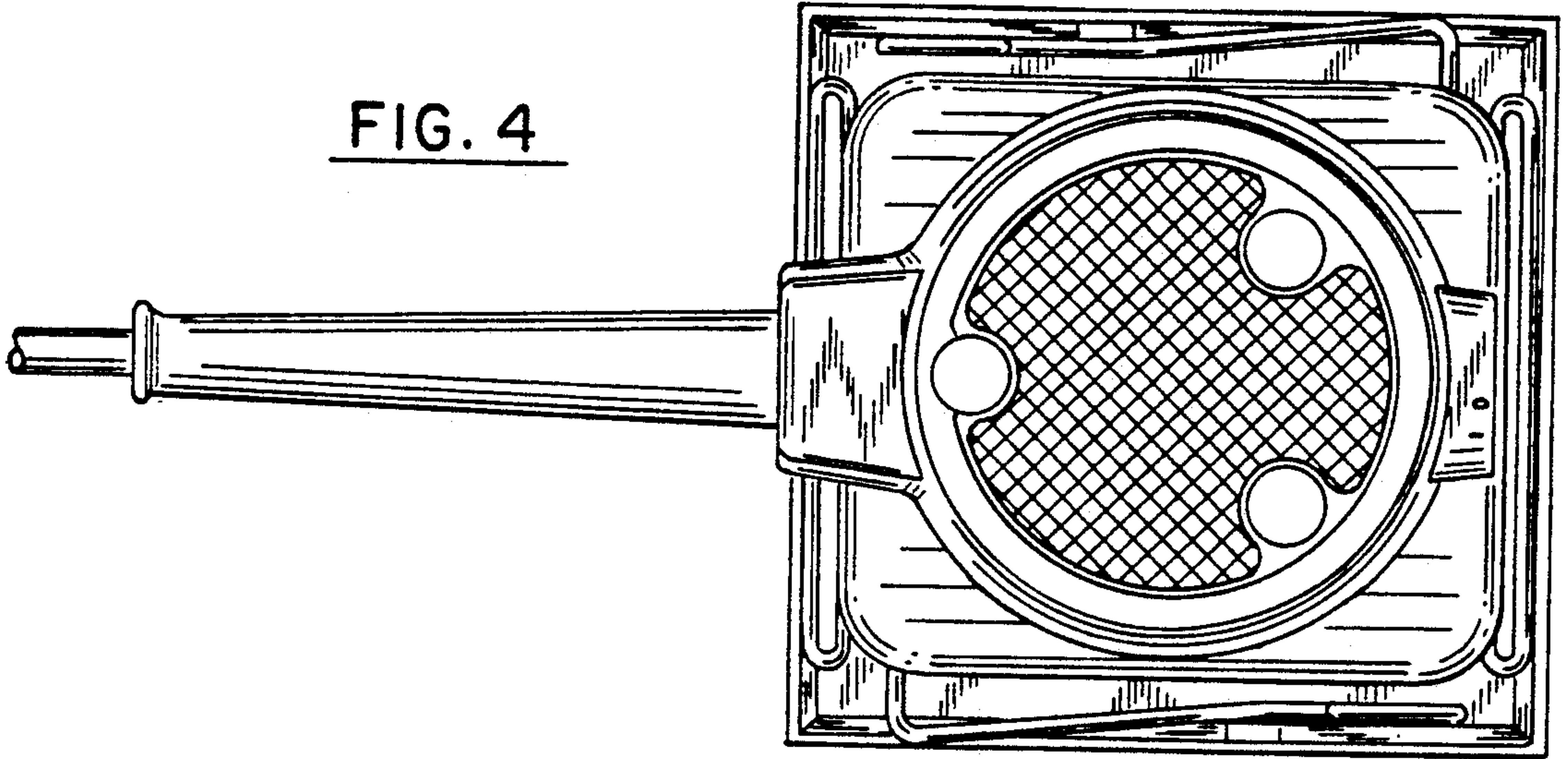
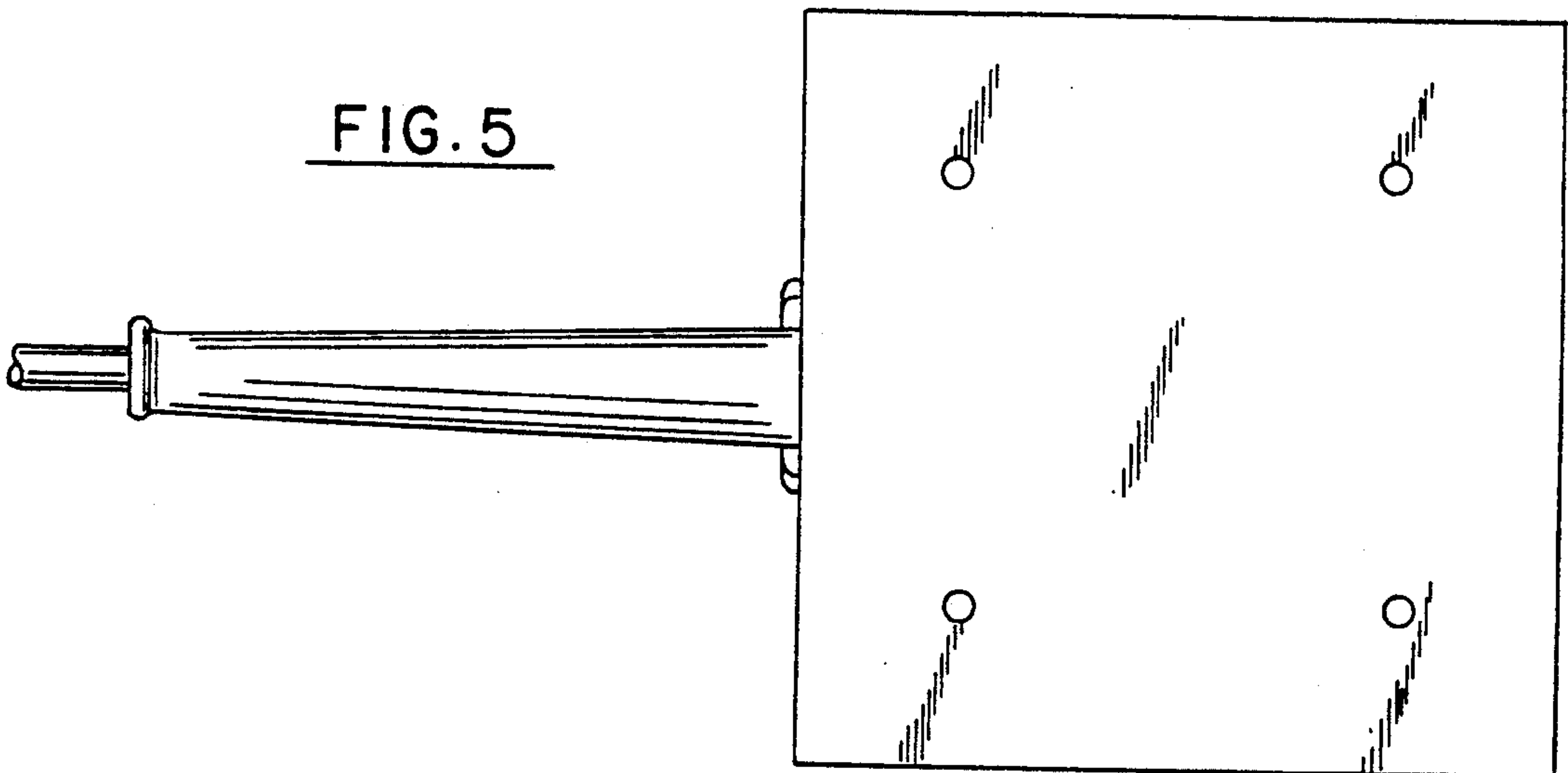


FIG. 5



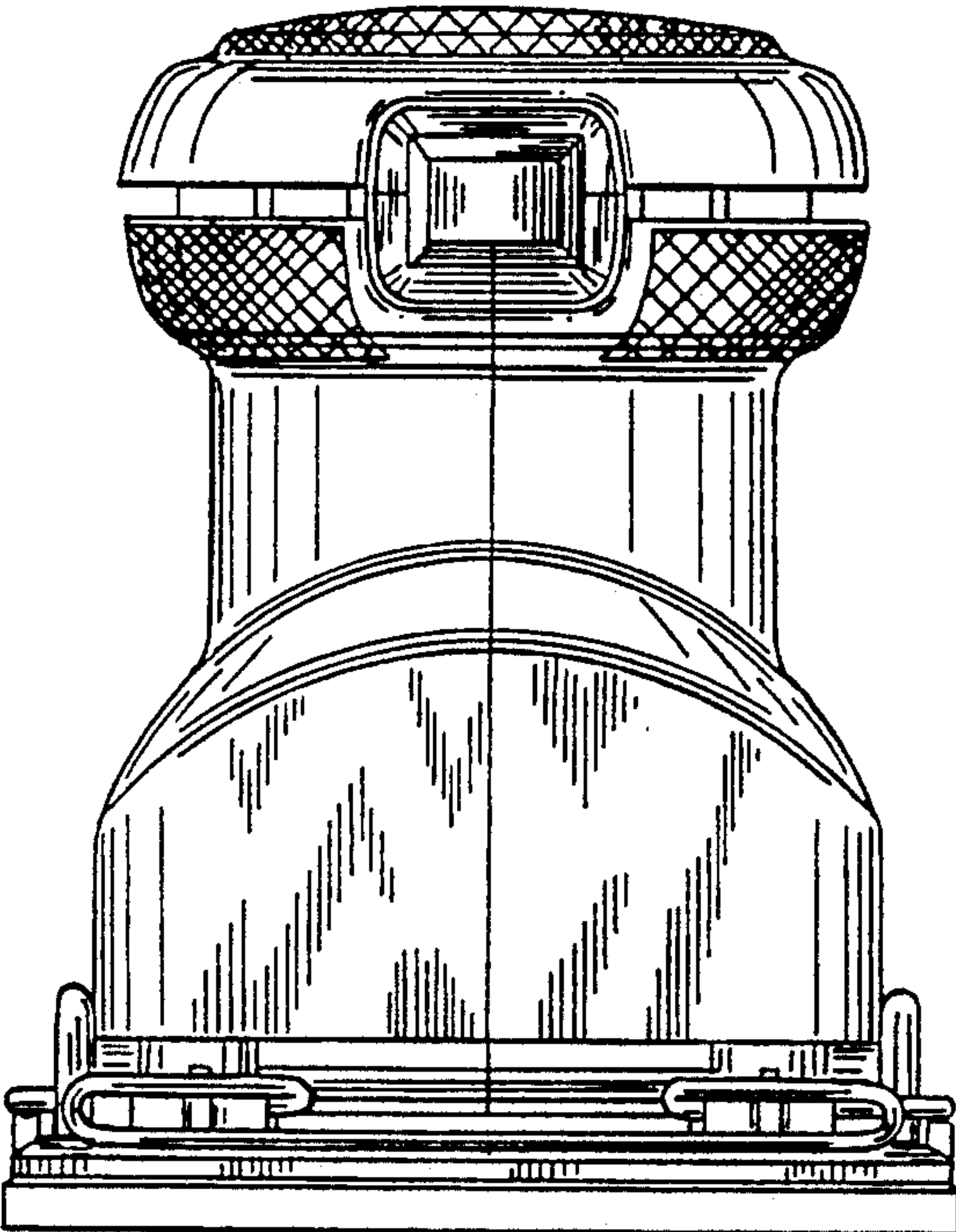


FIG. 6