



US00D323962S

United States Patent [19]

[11] Patent Number: **Des. 323,962**

Casella

[45] Date of Patent: **** Feb. 18, 1992**

[54] PNEUMATIC GUN

526,141	9/1894	Bloomer	15/104.05
558,992	4/1896	Silver	15/104.5
3,825,443	7/1974	Reilly	15/104.061
4,974,277	12/1990	Casella	15/3.5

[75] Inventor: **David W. Casella**, Wanneroo, Australia

[73] Assignee: **Compri Technic Pty. Ltd.**, Maylands, Australia

Primary Examiner—Nelson C. Holtje
Assistant Examiner—J. H. Musgrove
Attorney, Agent, or Firm—Larson & Taylor

[**] Term: **14 Years**

[57] **CLAIM**

[21] Appl. No.: **400,046**

The ornamental design for a pneumatic gun, as shown.

[22] Filed: **Aug. 29, 1989**

DESCRIPTION

[52] U.S. Cl. **D8/61**

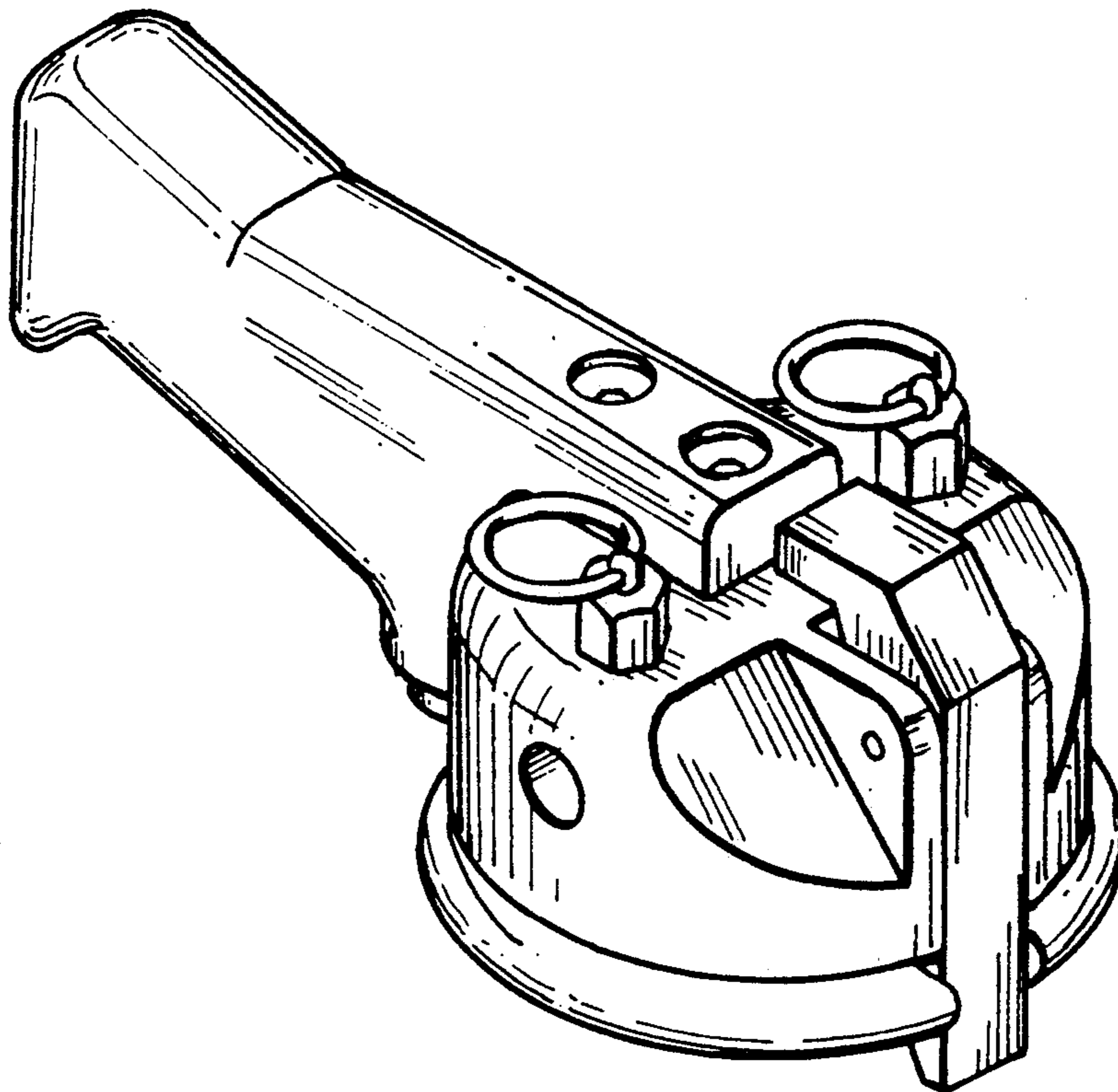
[58] Field of Search D8/29.1, 61; 81/54, 81/57, 57.11, 57.14; 173/163; 15/104.05, 104.061, 104.062, 3.5, 3.51

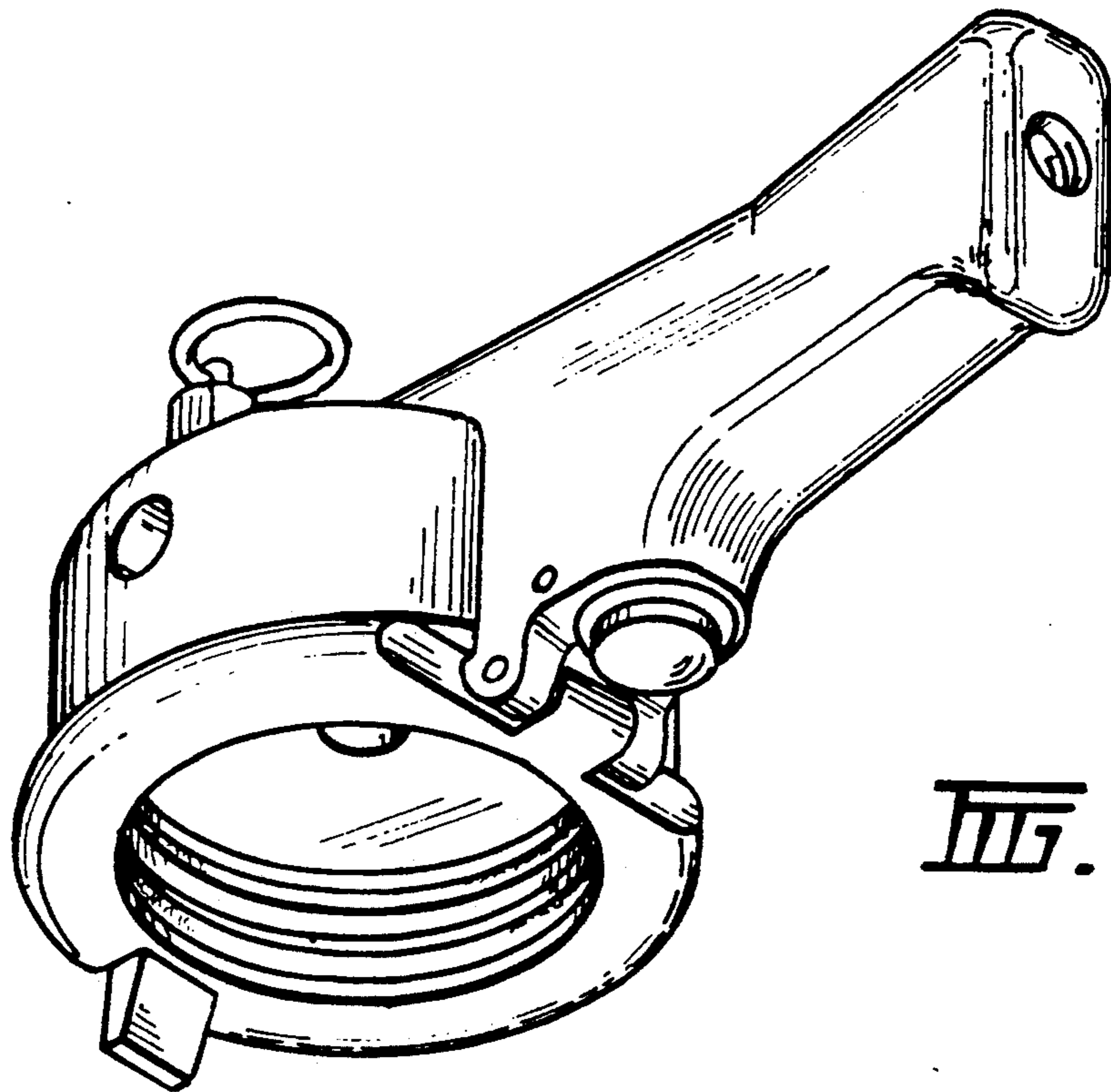
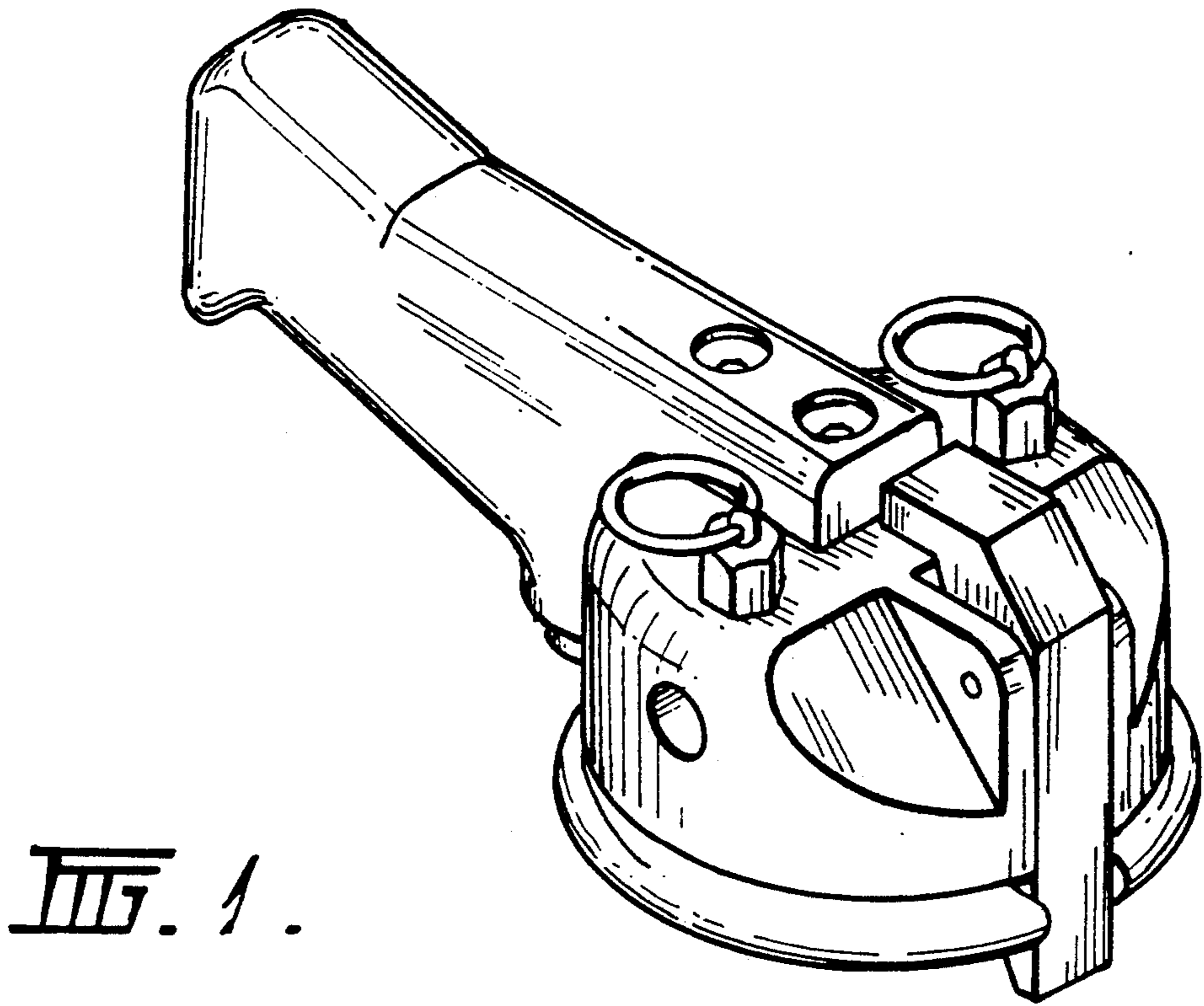
FIG. 1 is a top front left side perspective view of a pneumatic gun showing my new design;
FIG. 2 is a bottom right side perspective view;
FIG. 3 is a top plan view;
FIG. 4 is a left elevational view;
FIG. 5 is a bottom plan view;
FIG. 6 is a right side elevational view showing the lower portion unlatched;
FIG. 7 is a front elevational view; and
FIG. 8 is a rear elevational view thereof.

[56] **References Cited**

U.S. PATENT DOCUMENTS

D. 131,656	3/1942	Decker	D8/62
D. 161,719	1/1951	Thomson	D8/61
D. 293,020	12/1987	Steinel et al.	D8/29.1
D. 298,302	11/1988	Lambert	D8/61





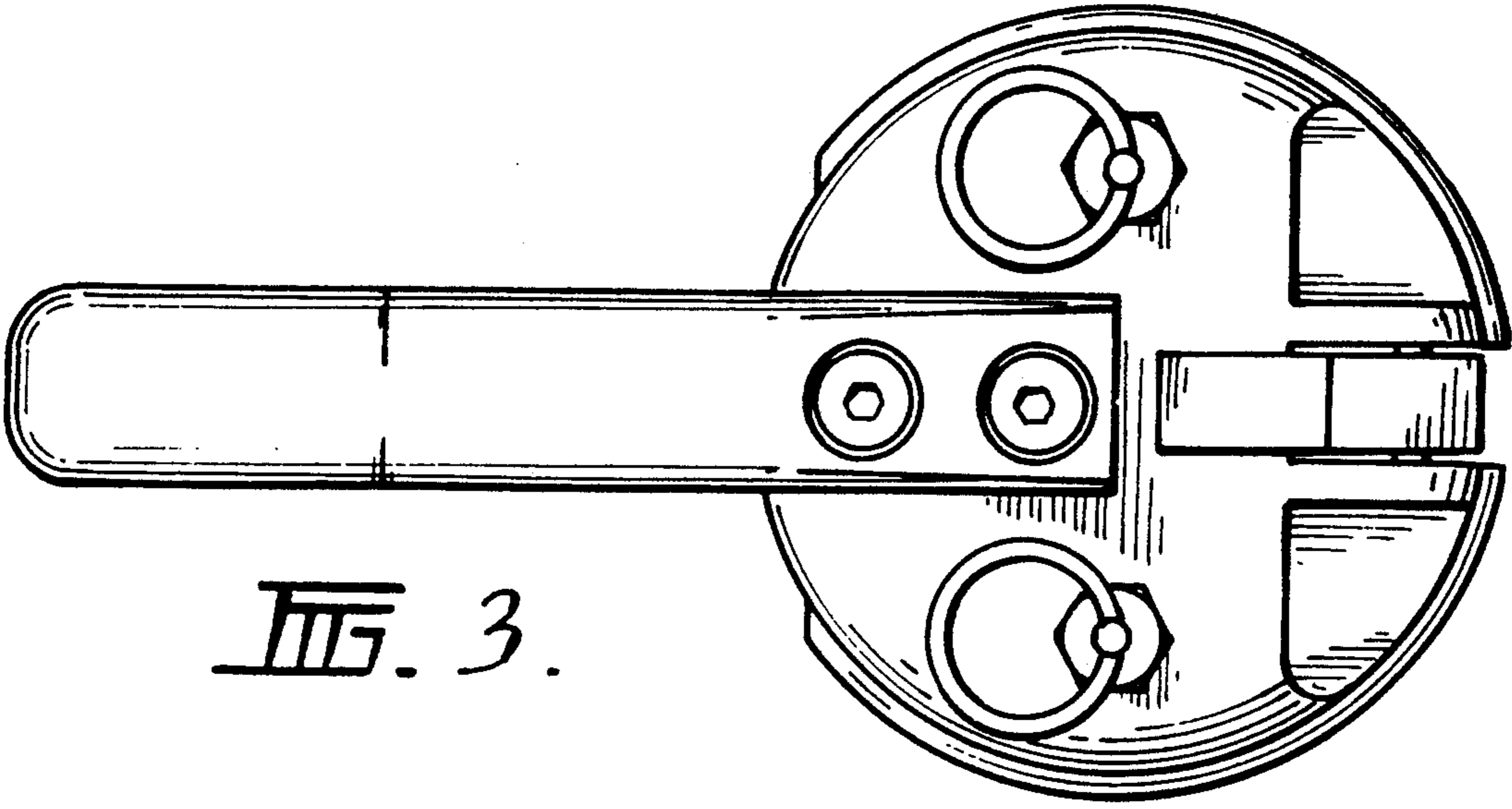


FIG. 3.

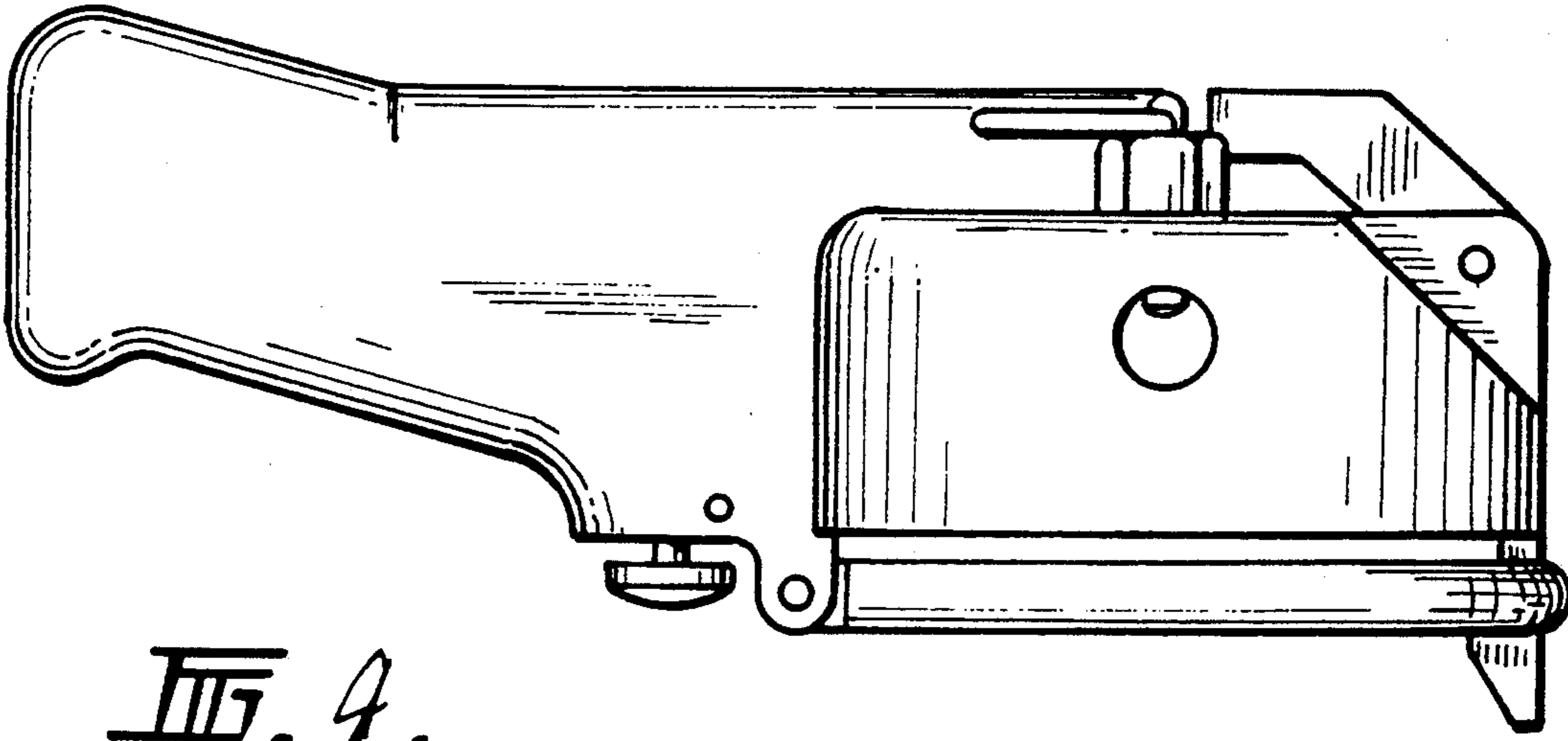


FIG. 4.

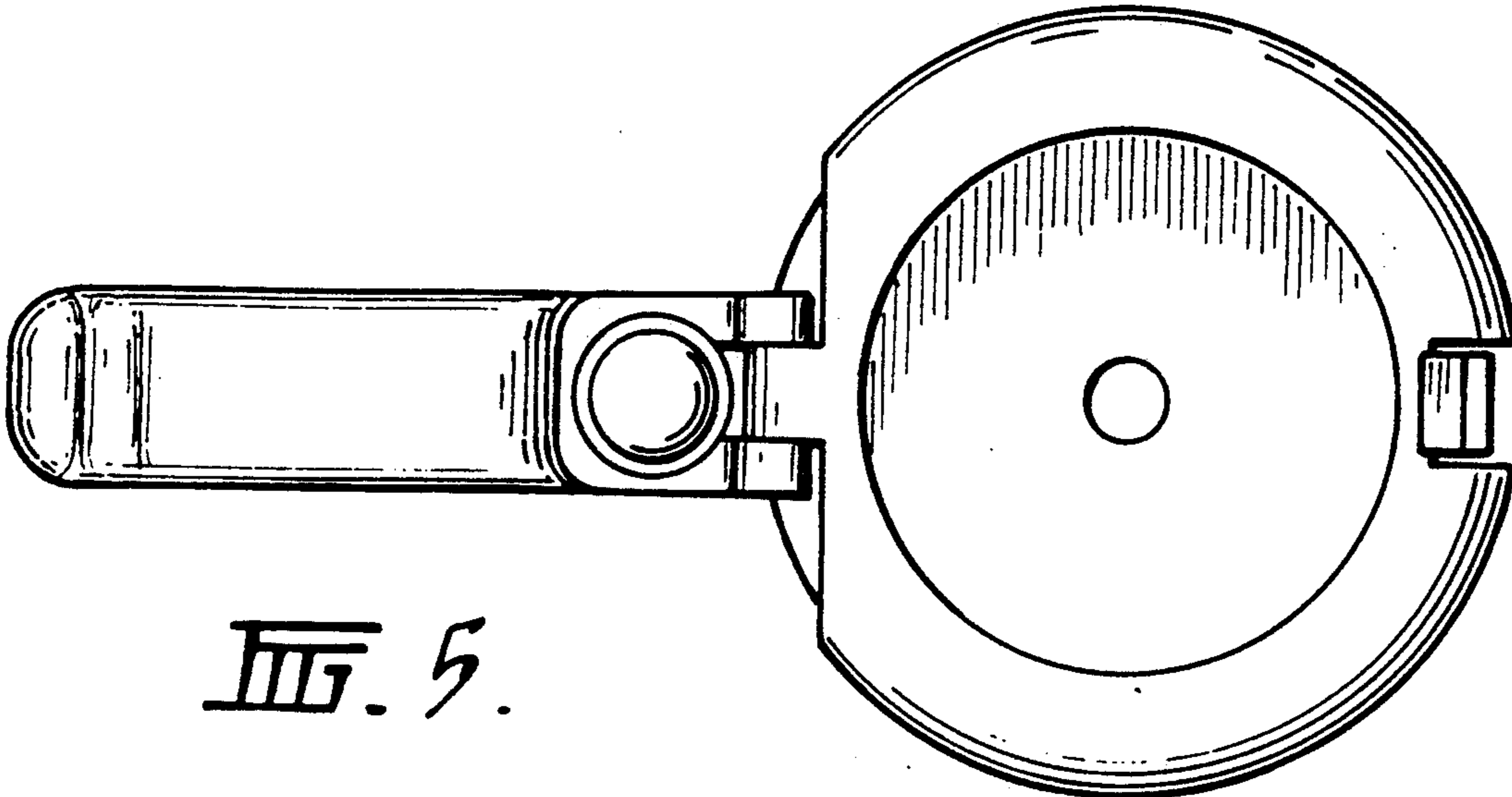


FIG. 5.

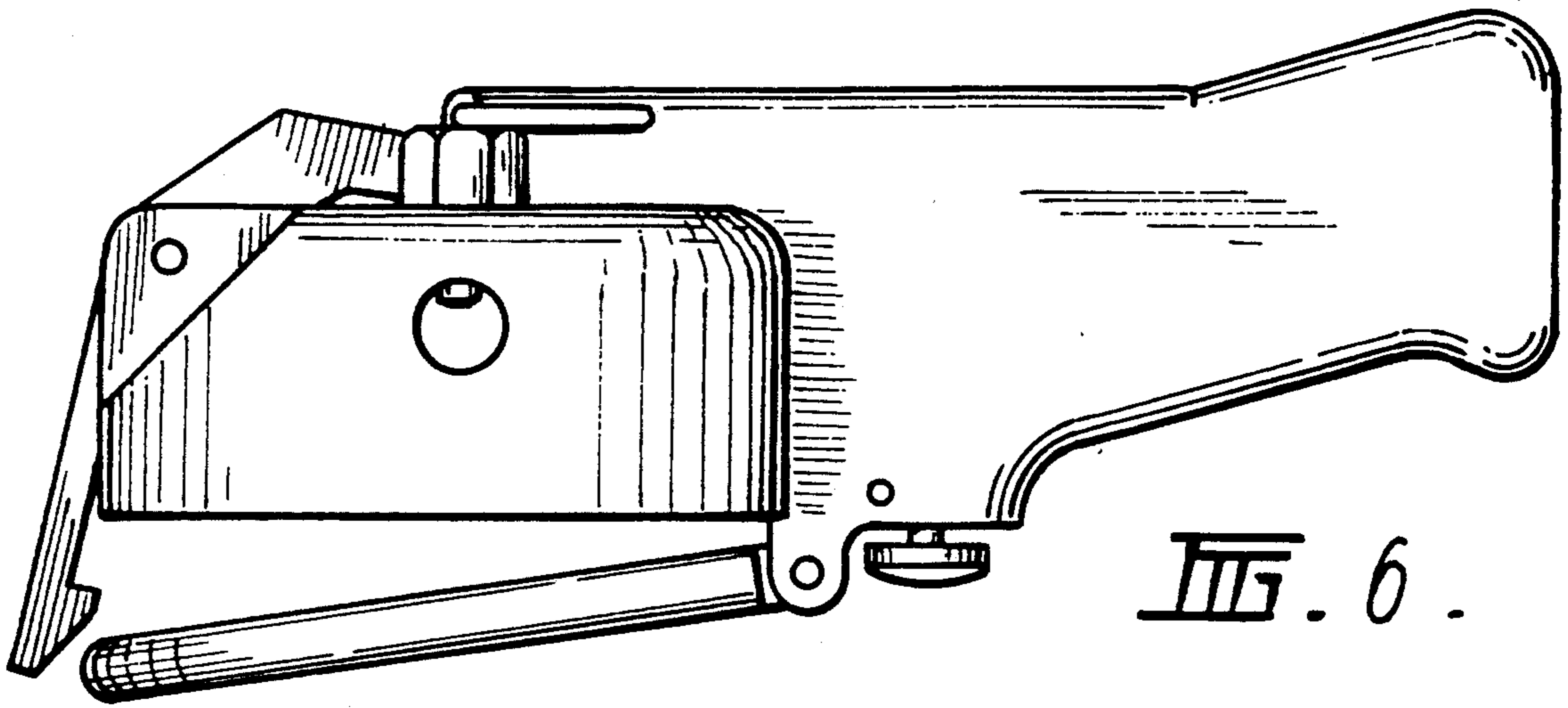


FIG. 7.

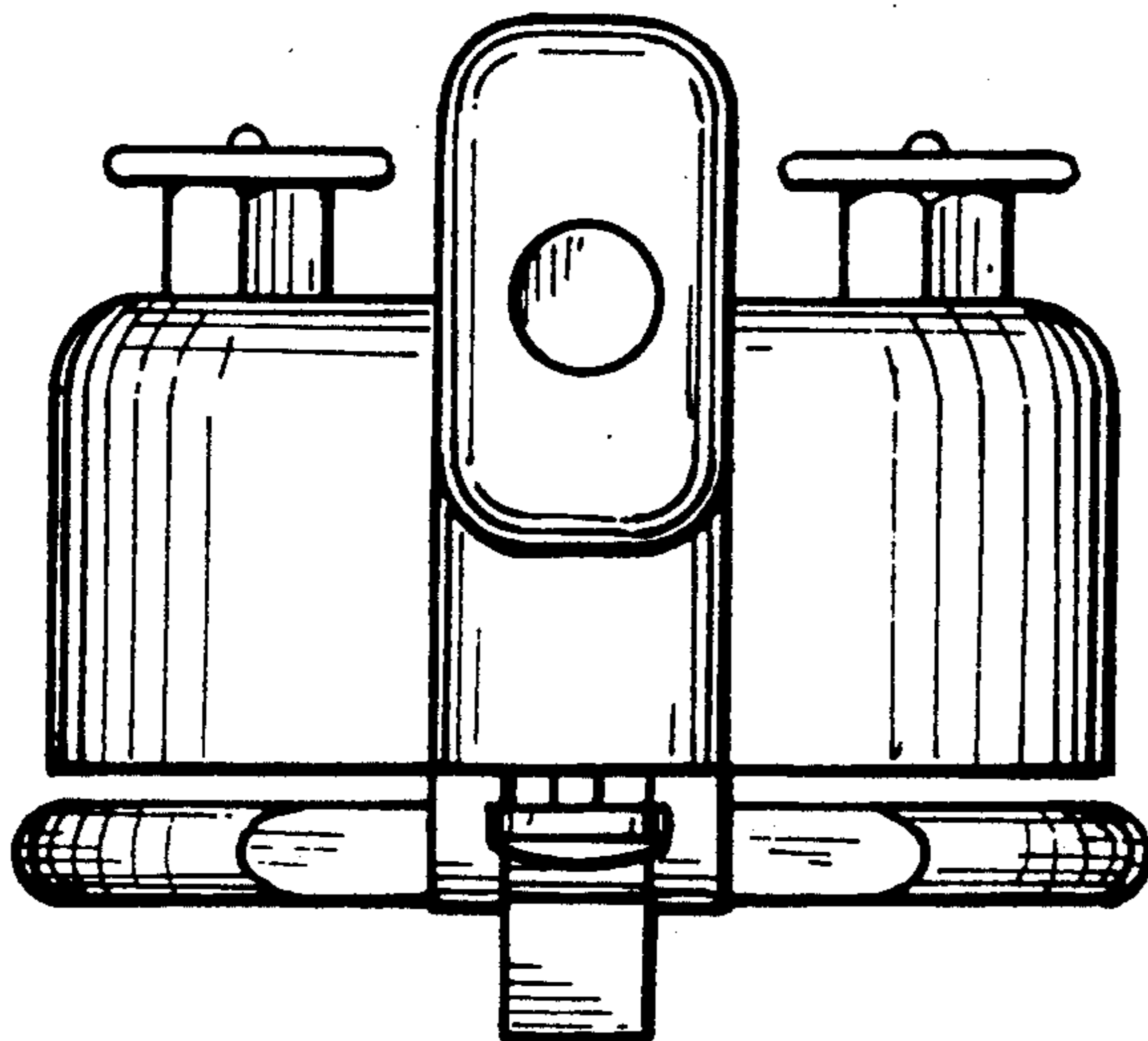
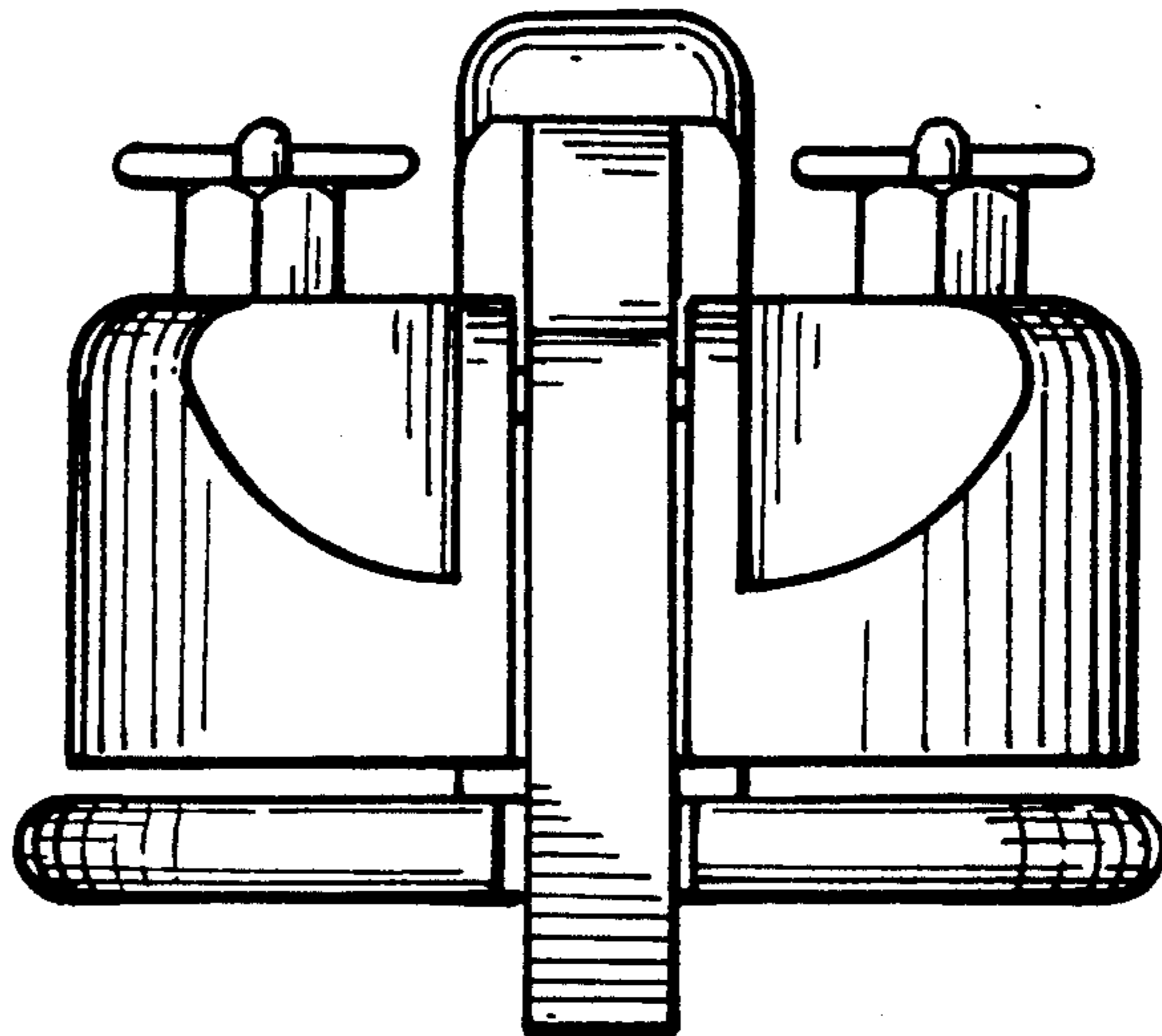


FIG. 8.