



US00D323956S

United States Patent [19]

[11] Patent Number: **Des. 323,956**

Abrams

[45] Date of Patent: **** Feb. 18, 1992**

[54] **COMBINED NAPKIN HOLDER AND
CONDIMENT CADDY**

D. 241,598 9/1976 Abrams D7/631 X

[76] Inventor: **Hyman Abrams, 17 Brown Cir.,
Paramus, N.J. 07652**

*Primary Examiner—Terry A. Pfeffer
Attorney, Agent, or Firm—Sherman and Shalloway*

[**] Term: **14 Years**

[57] **CLAIM**

The ornamental design for a combined napkin holder and condiment caddy, as shown and described.

[21] Appl. No.: **468,782**

DESCRIPTION

[22] Filed: **Jan. 22, 1990**

[52] U.S. Cl. **D7/632**

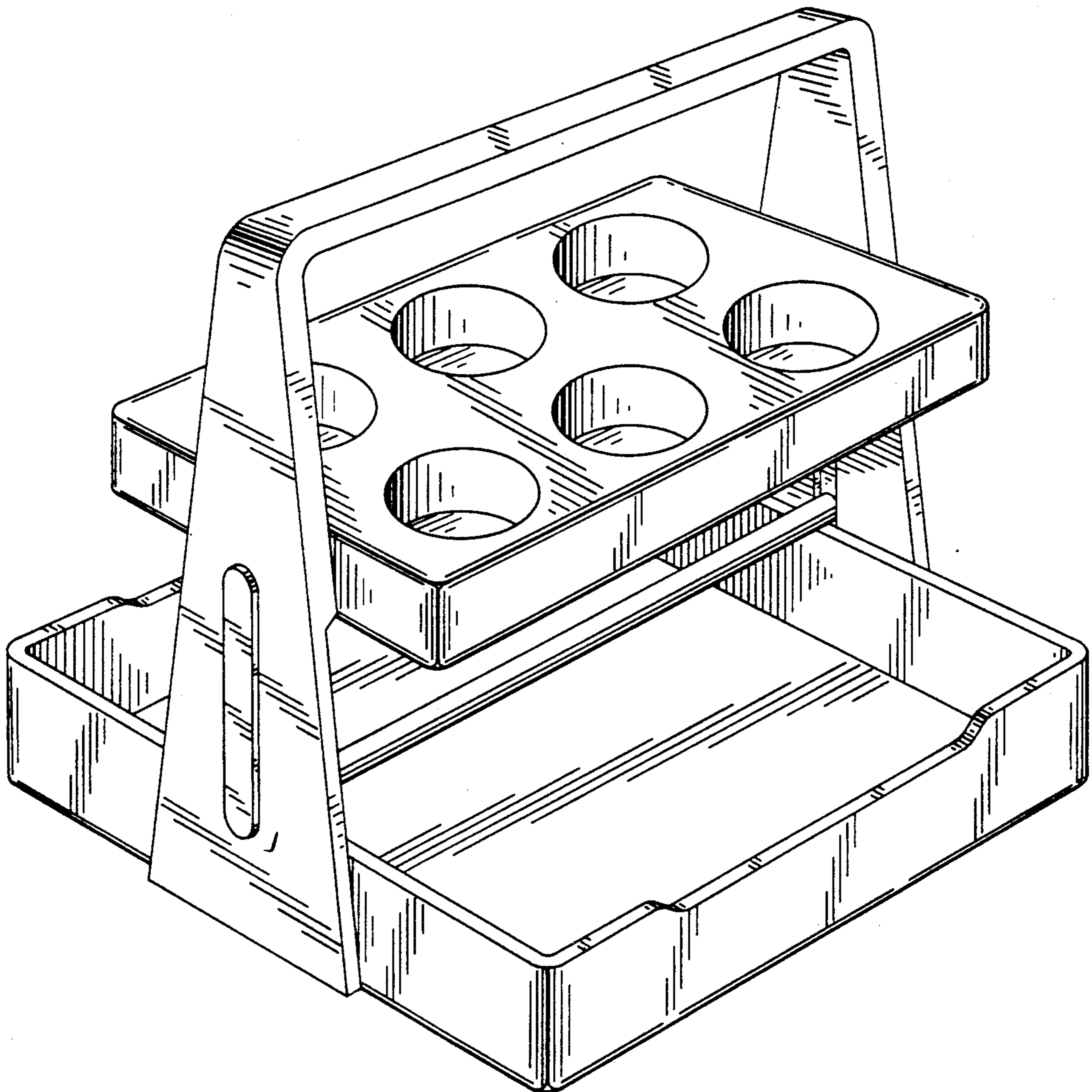
[58] Field of Search D7/590, 600, 616, 631-632;
206/553; 211/51, 59.3, 71, 74; 221/33.34

FIG. 1 is a perspective view of a combined napkin holder and condiment caddy, showing my new design; FIG. 2 is a front elevational view thereof, the opposite side being identical; FIG. 3 right side elevational view thereof, the opposite side being identical; FIG. 4 is a top plan view thereof; and FIG. 5 is a bottom plan view thereof.

[56] **References Cited**

U.S. PATENT DOCUMENTS

D. 70,505 7/1926 Lindblad D7/632



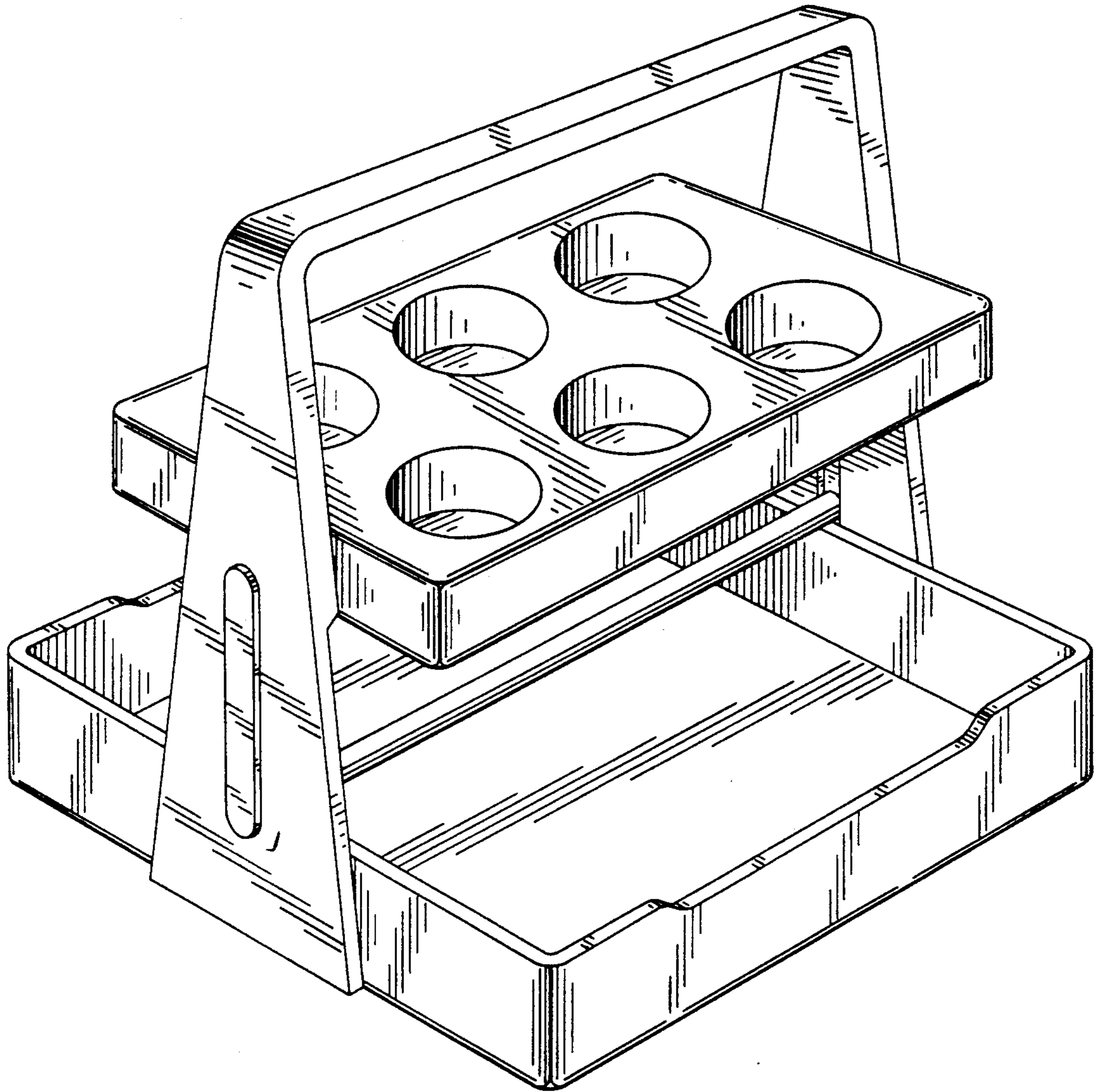


FIG. 1

FIG. 2

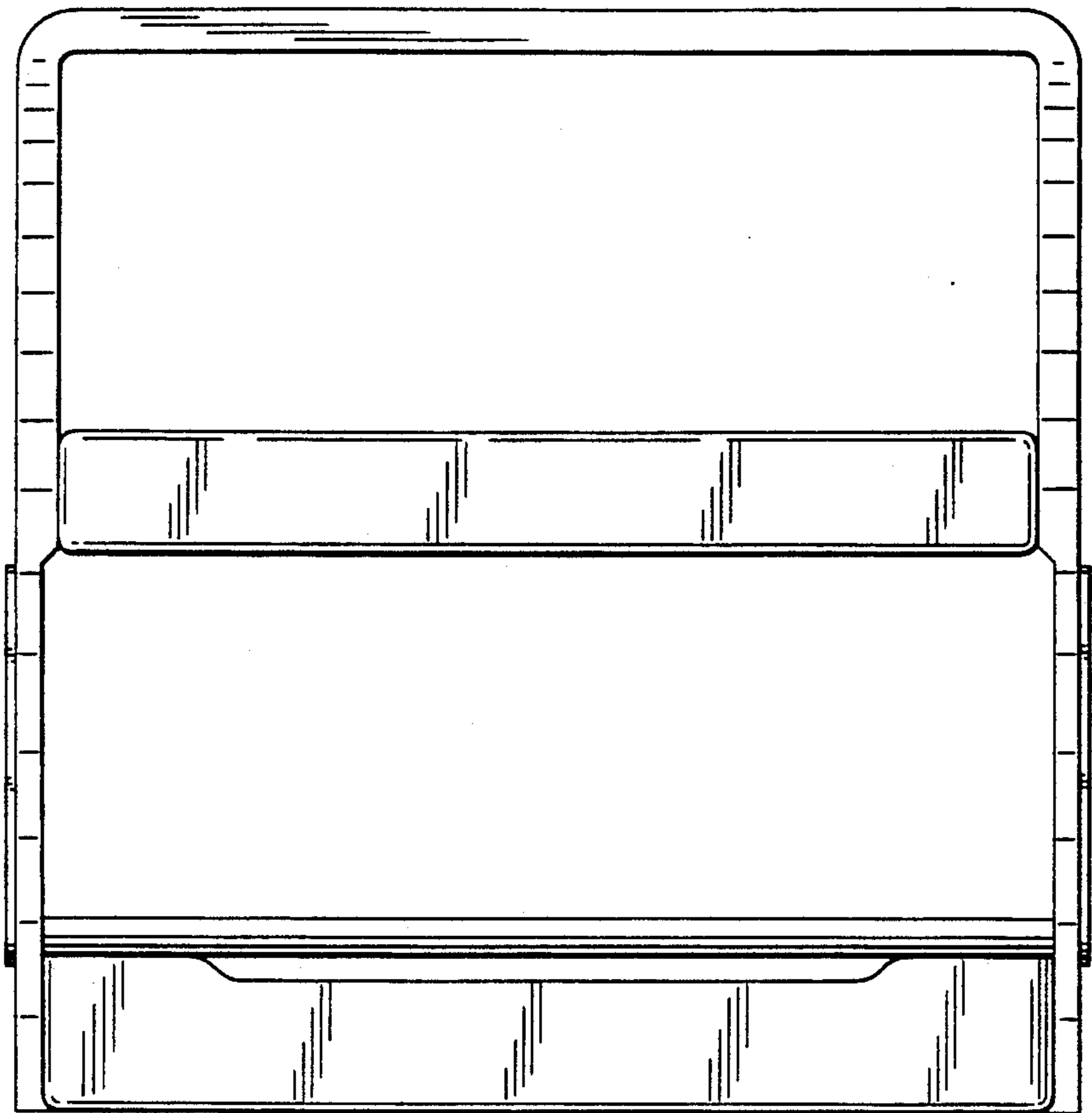


FIG. 3

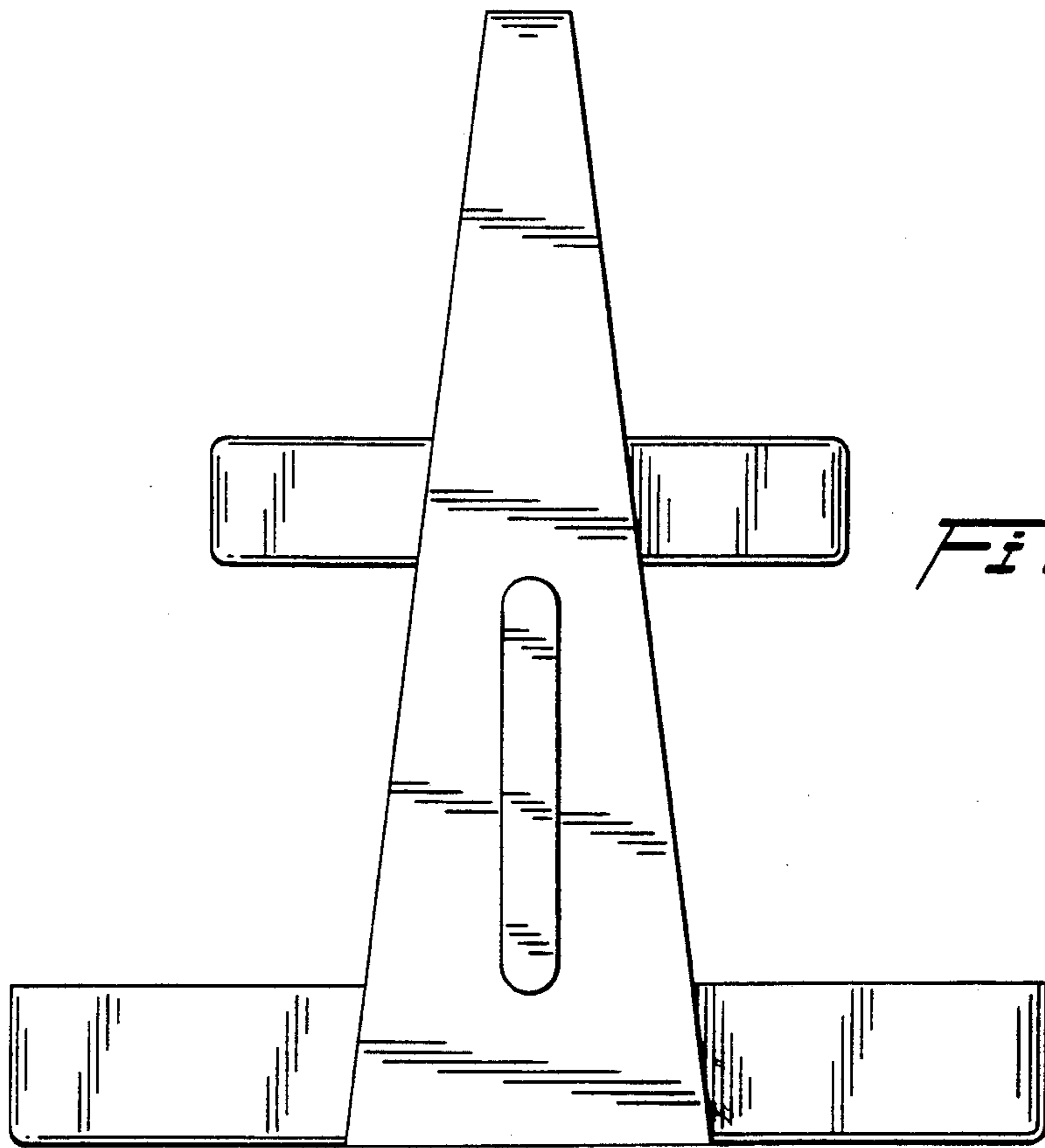


FIG. 4

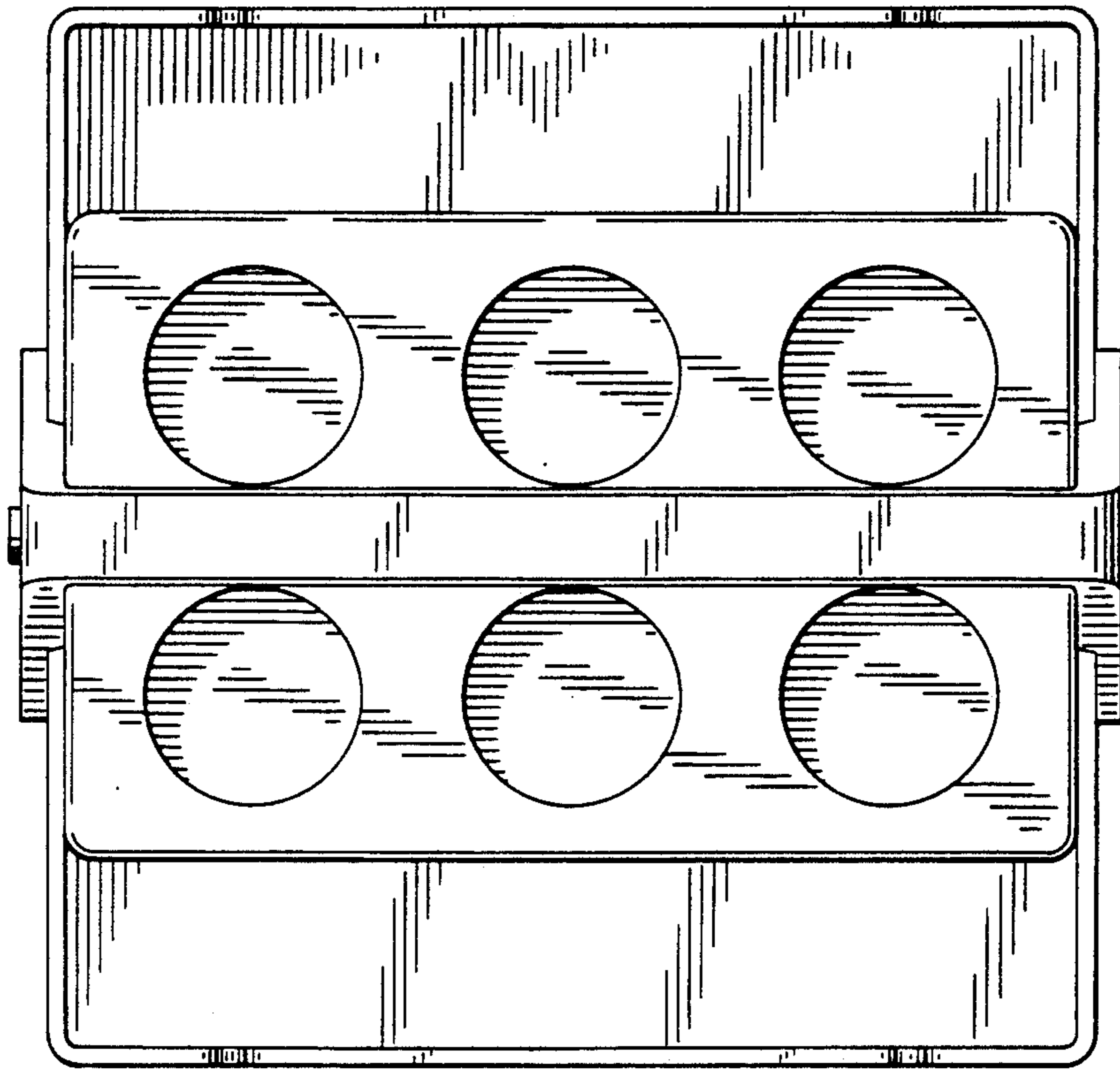


FIG. 5

