



US00D323952S

United States Patent [19]

[11] Patent Number: **Des. 323,952**

Wagner et al.

[45] Date of Patent: **** Feb. 18, 1992**

[54] **BARBECUE GRILL BODY**

D. 226,509 3/1973 Dushek D7/337

[75] Inventors: **Wesley J. Wagner, Columbus, Ga.;**
John Seal, Auburn, Ala.

D. 287,214 12/1986 Koziol D7/332

D. 287,215 12/1986 Koziol D7/332

[73] Assignee: **W.C. Bradley Company, Columbus, Ga.**

Primary Examiner—A. Hugo Word
Assistant Examiner—Ruth McInroy
Attorney, Agent, or Firm—Hopkins & Thomas

[**] Term: **14 Years**

[57] **CLAIM**

[21] Appl. No.: **393,452**

The ornamental design for a barbecue grill body, as shown and described.

[22] Filed: **Aug. 11, 1989**

DESCRIPTION

[52] U.S. Cl. **D7/332**

[58] Field of Search **D7/331-332,**
D7/335, 337-339; 126/25 R, 25 A, 25 AA, 25
B, 29-30, 27, 9 R, 38, 41 R

FIG. 1 is a perspective view of a barbecue grill body showing our new design;

FIG. 2 is a side elevational view thereof;

FIG. 3 is a side elevational view of the opposite side of FIG. 2;

FIG. 4 is a front elevational view thereof;

FIG. 5 is a top plan view thereof;

FIG. 6 is a rear elevational view thereof; and

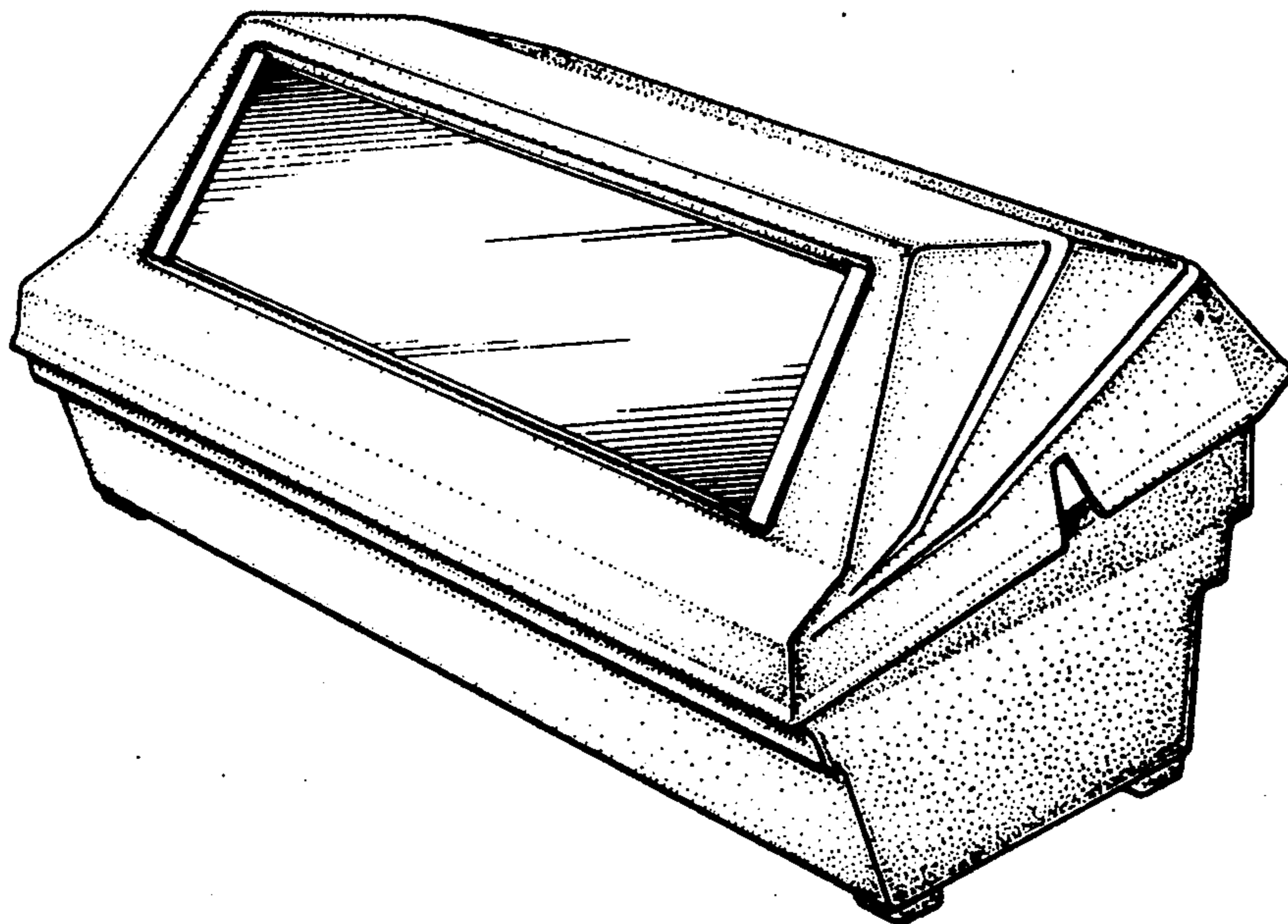
FIG. 7 is a bottom plan view thereof.

[56] **References Cited**

U.S. PATENT DOCUMENTS

D. 219,081 10/1970 Koziol D7/335

D. 226,455 3/1973 Dushek D7/337



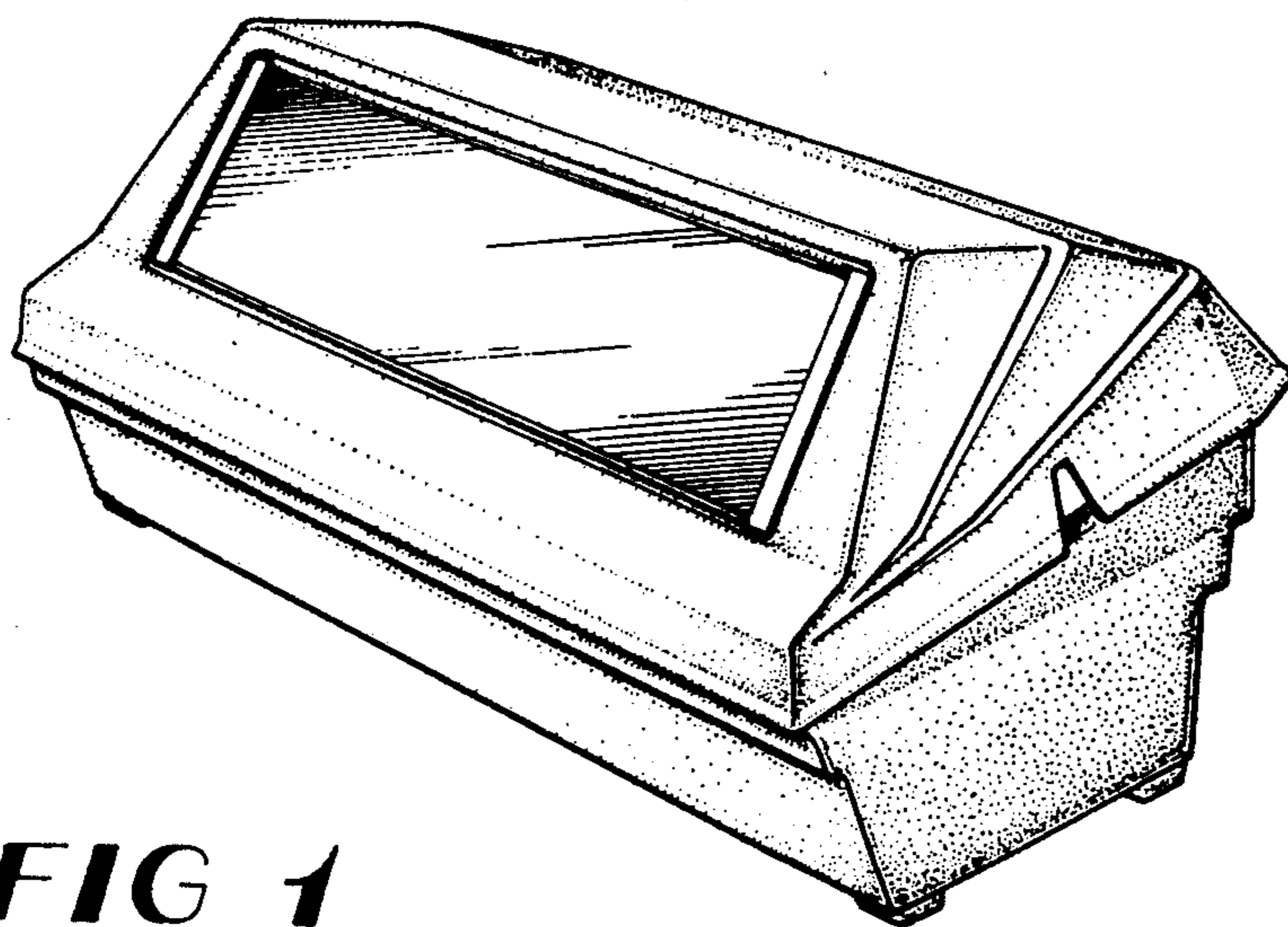


FIG 1

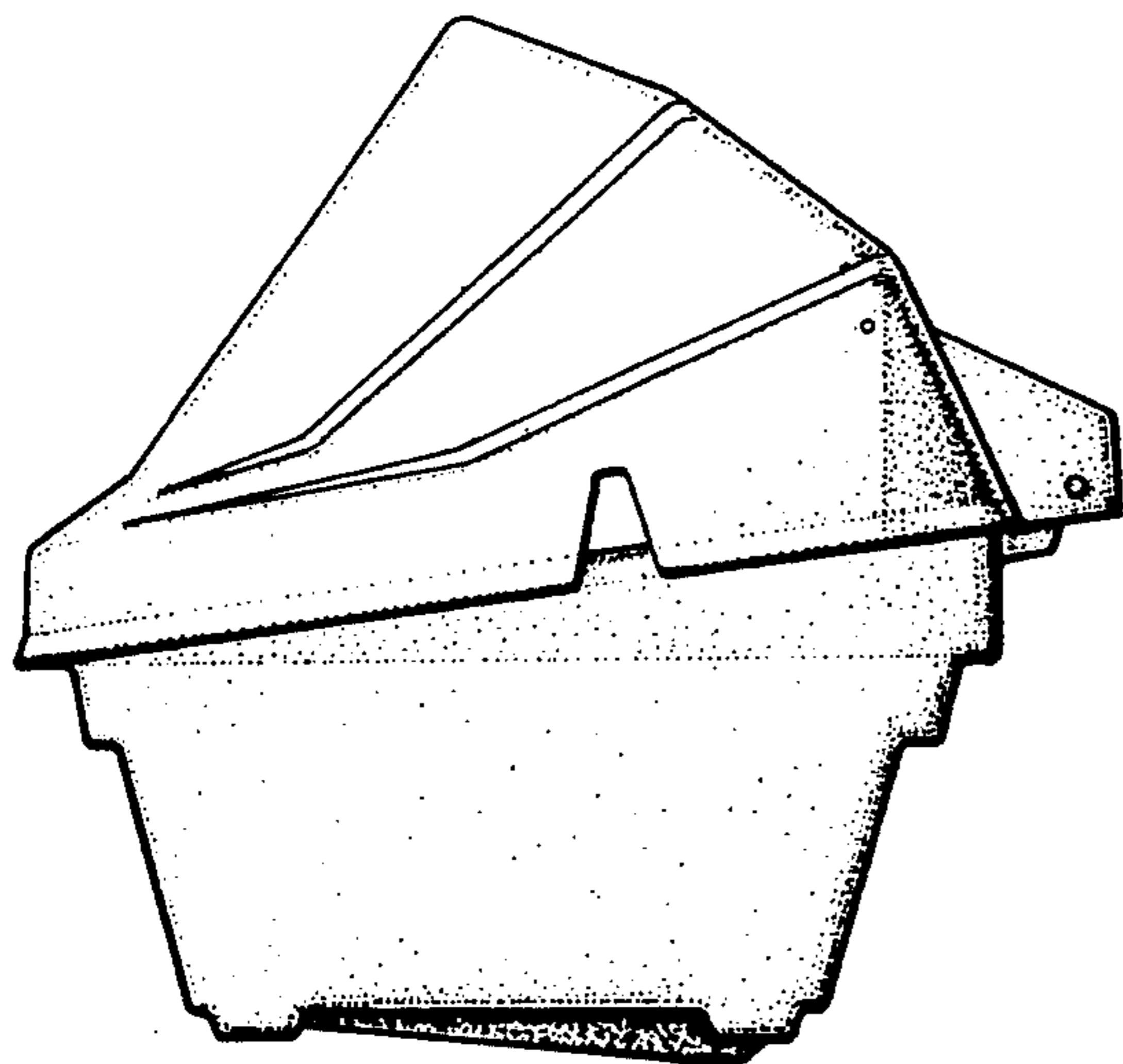


FIG 2

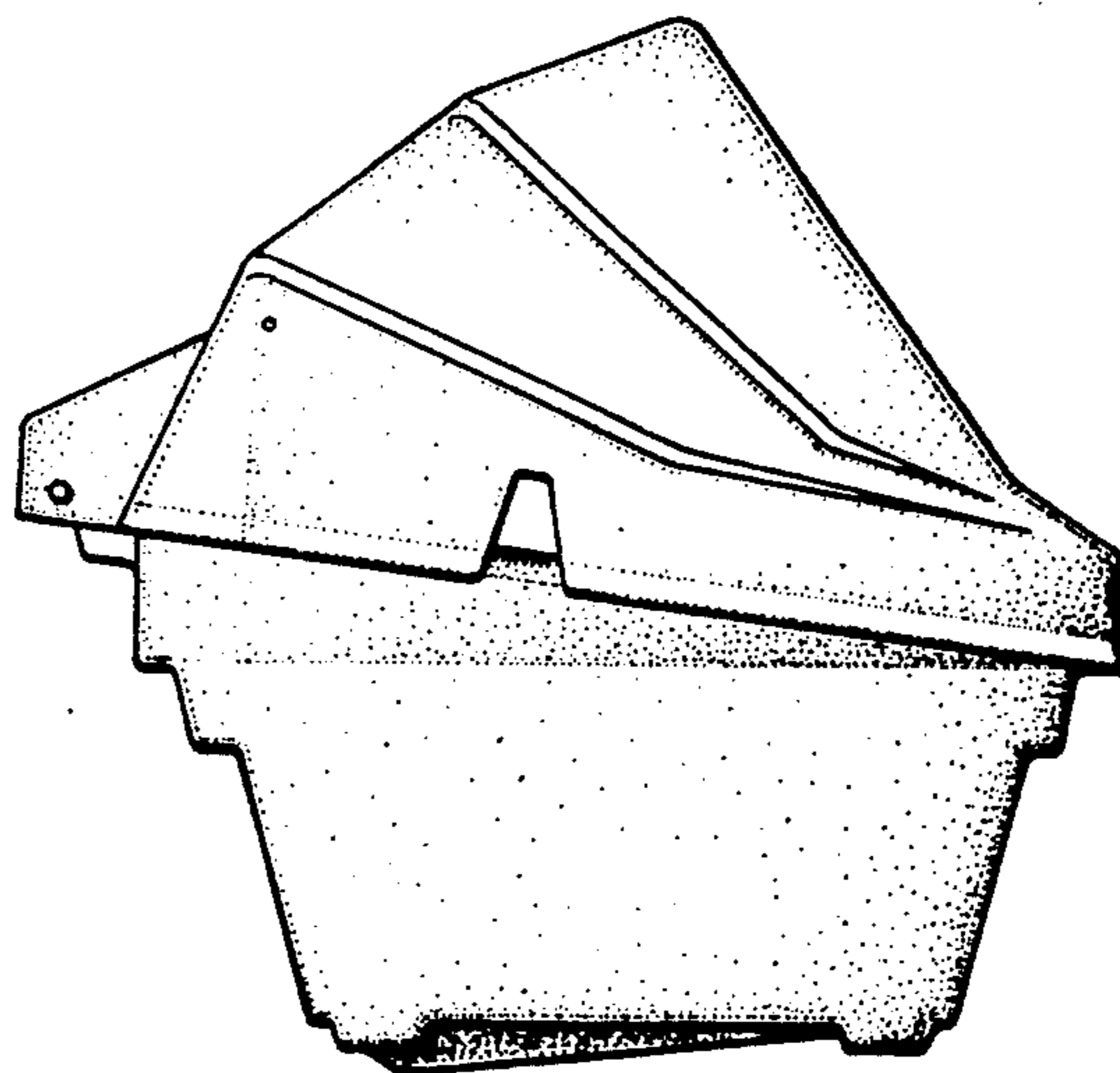


FIG 3

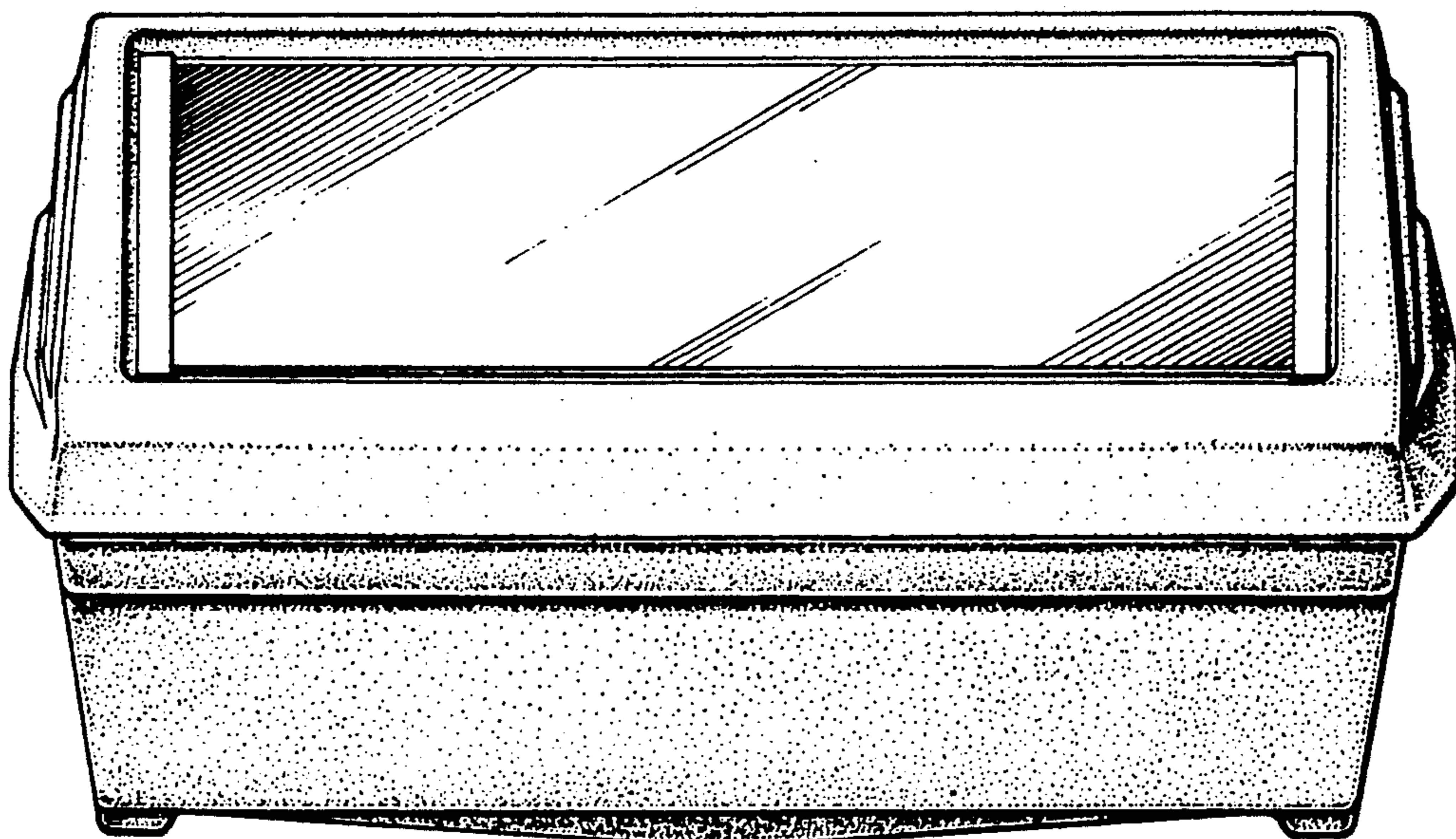


FIG 4

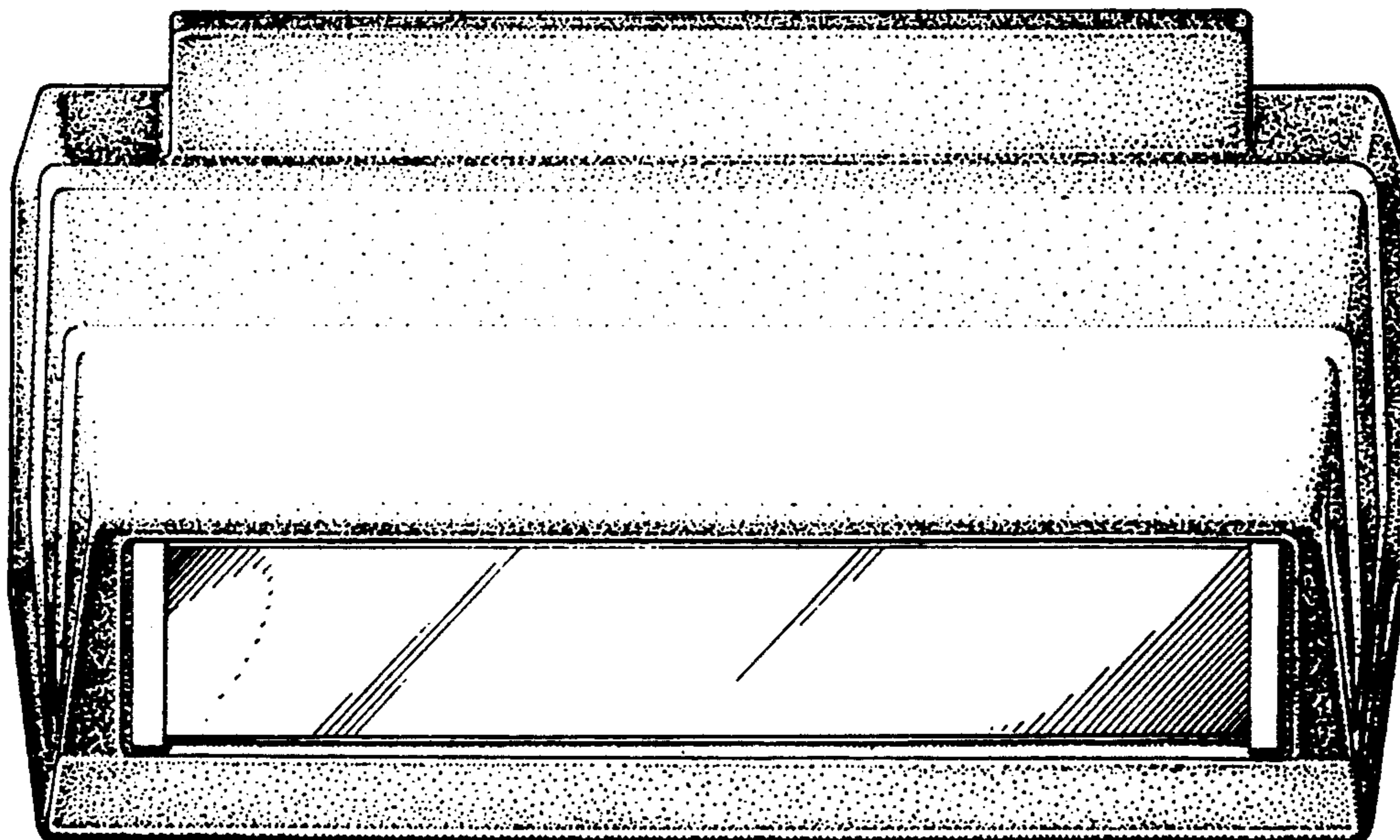


FIG 5

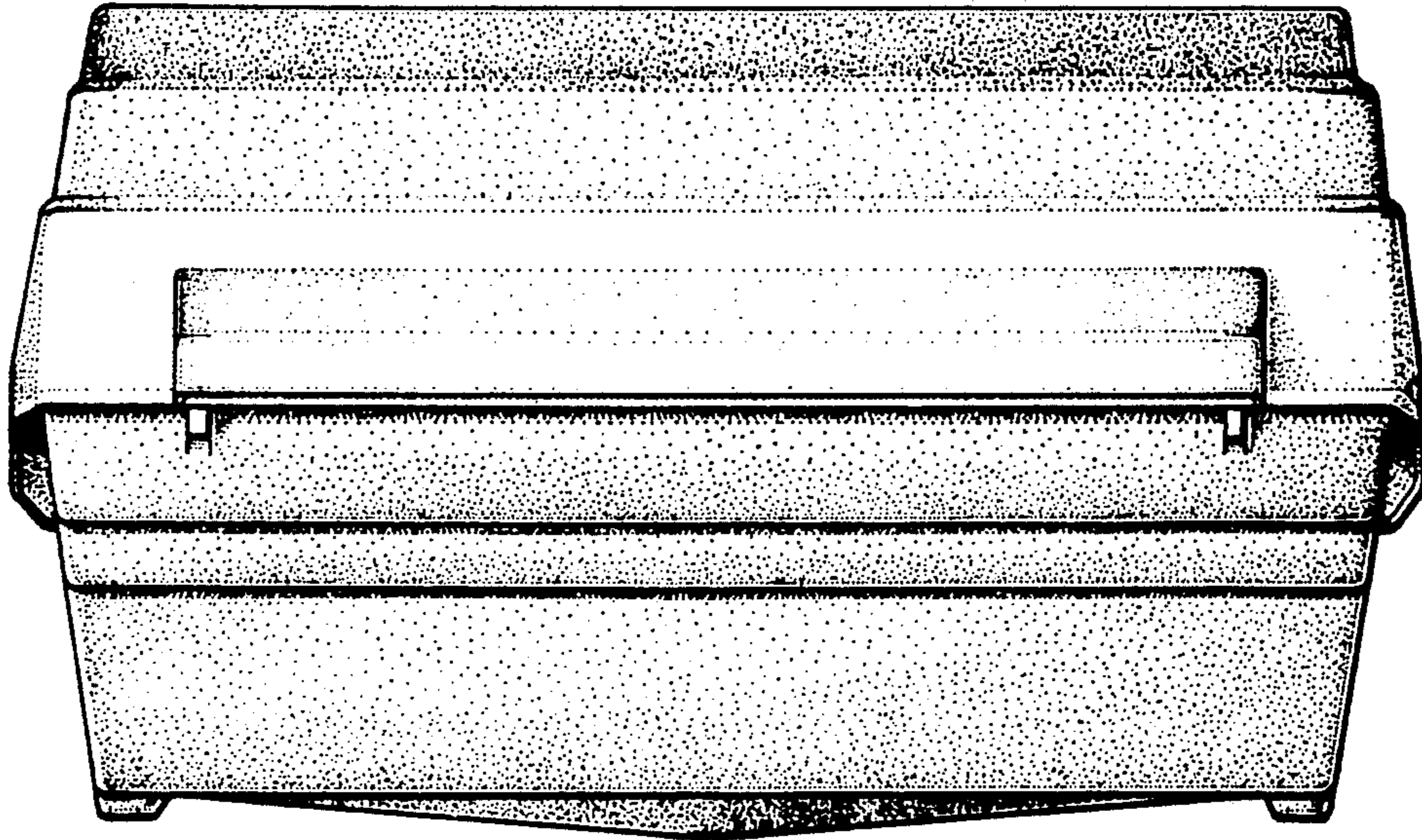


FIG 6

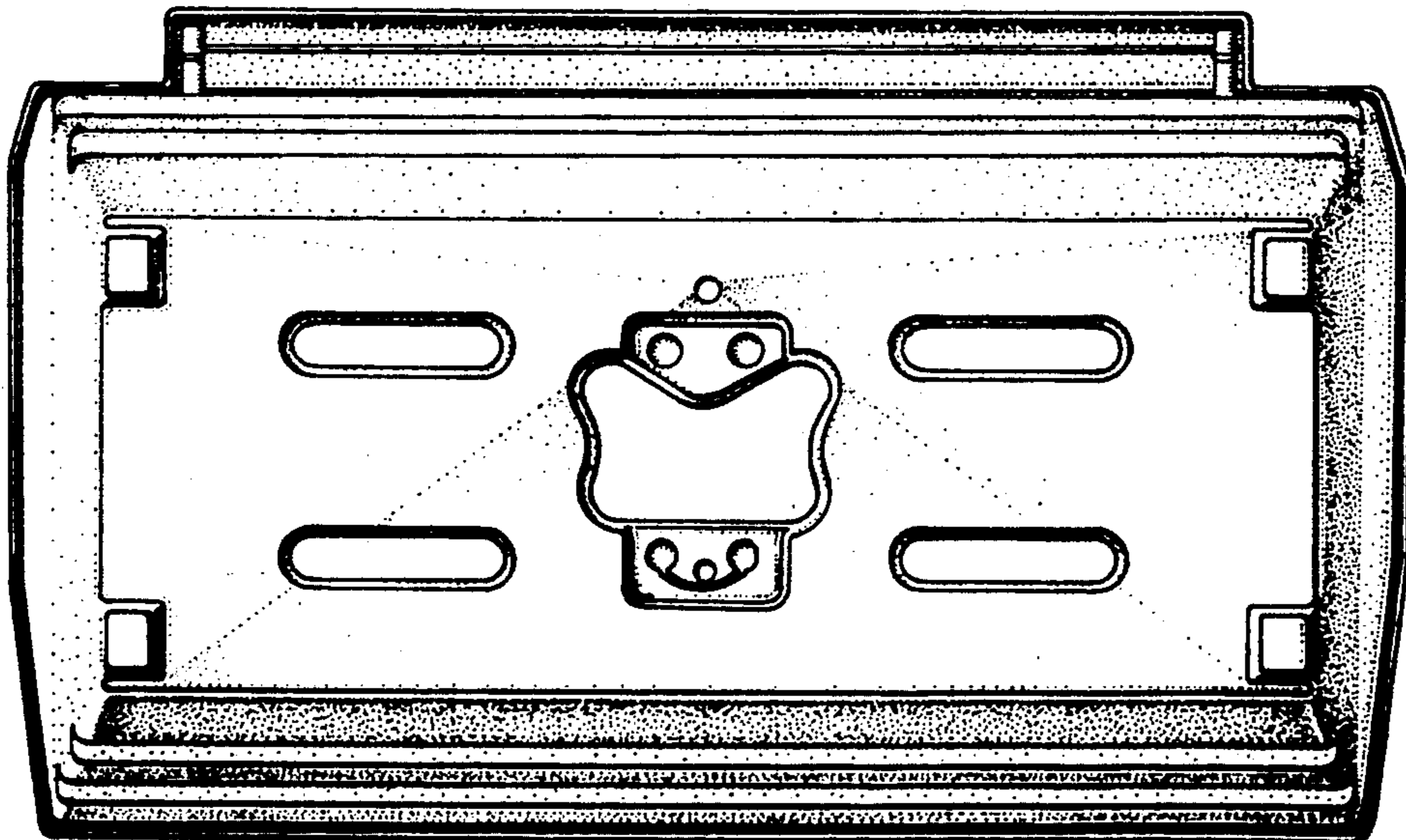


FIG 7