



US00D323949S

United States Patent [19]

Kahlcke

[11] Patent Number: Des. 323,949

[45] Date of Patent: ** Feb. 18, 1992

[54] ESPRESSO MACHINE

[75] Inventor: Hartwig Kahlcke, Kronberg, Fed. Rep. of Germany

[73] Assignee: Robert Krups Stiftung & Co. KG, Solingen, Fed. Rep. of Germany

[**] Term: 14 Years

[21] Appl. No.: 421,714

[22] Filed: Oct. 13, 1989

[30] Foreign Application Priority Data

May 22, 1989 [DE] Fed. Rep. of Germany 8903580
[52] U.S. Cl. D7/309
[58] Field of Search D7/300, 305, 309, 308, D7/312, 311

[56] References Cited

U.S. PATENT DOCUMENTS

D. 285,890 9/1986 Jack D7/309
D. 303,903 10/1989 Ueda et al. D7/305 X
4,323,171 4/1982 Whorton, III et al. D7/311 X
4,644,856 2/1987 Borgmann D7/309 X

Primary Examiner—Winifred E. Herrmann
Attorney, Agent, or Firm—Peter K. Kontler

[57] CLAIM

The ornamental design for an espresso machine, as shown and described.

DESCRIPTION

FIG. 1 is a right-hand front perspective view of an espresso machine embodying my new design; FIG. 2 is a front elevational view thereof; FIG. 3 is a top plan view thereof; FIG. 4 is a right-hand side elevational view thereof; FIG. 5 is a left-hand side elevational view thereof; FIG. 6 is a rear elevational view thereof; and Fig. 7 is a bottom plan view thereof.

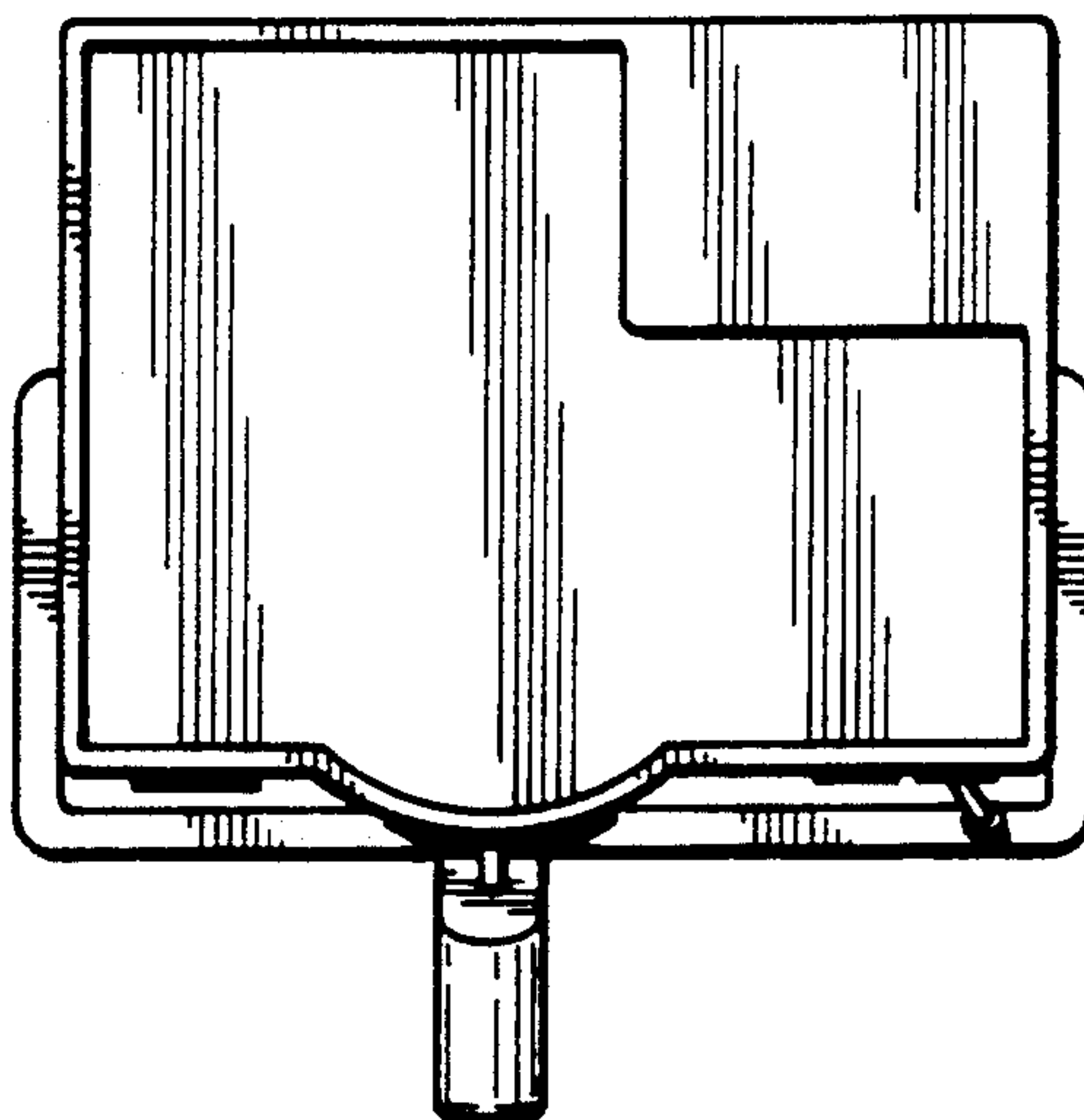
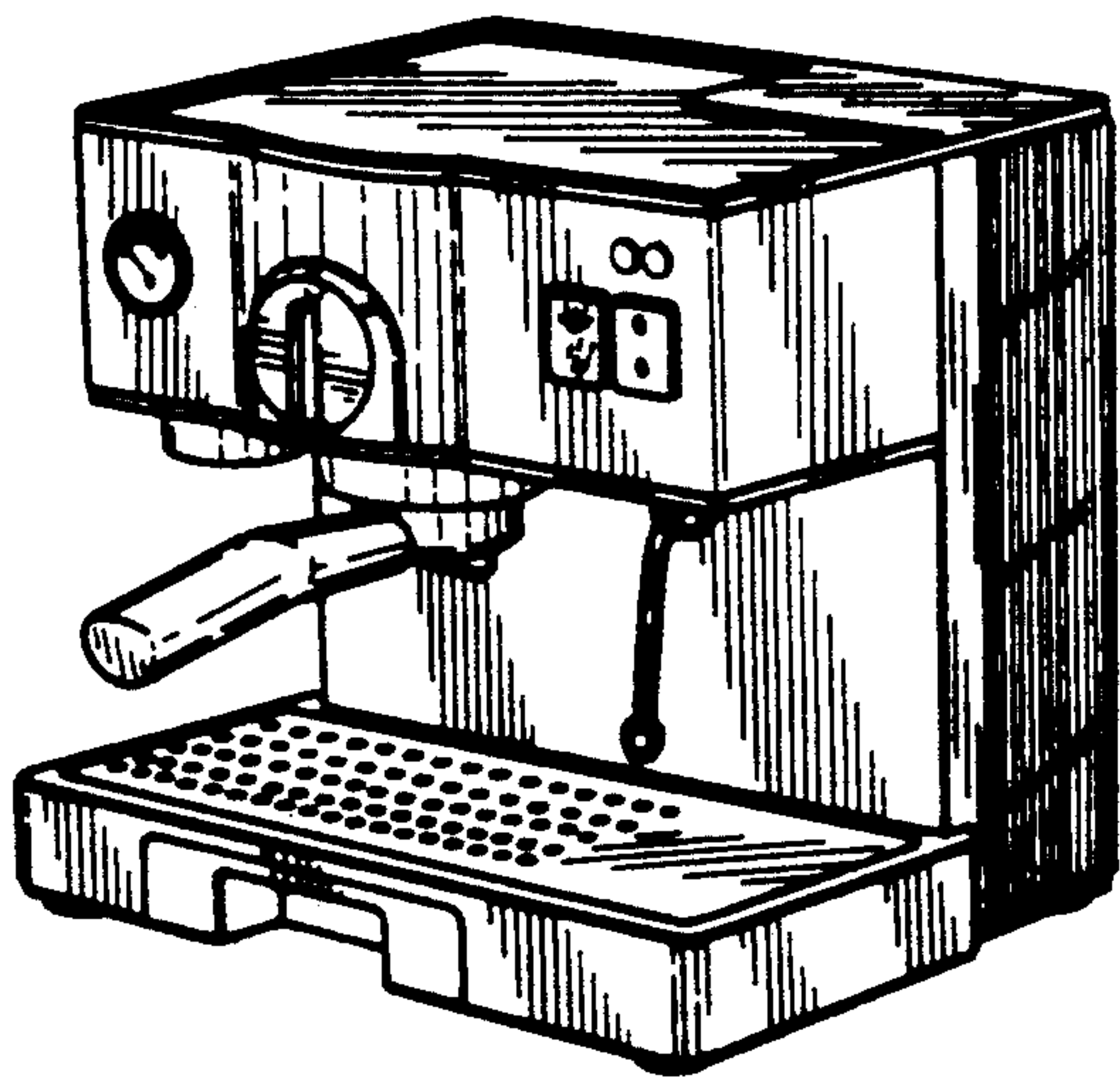


FIG. 1

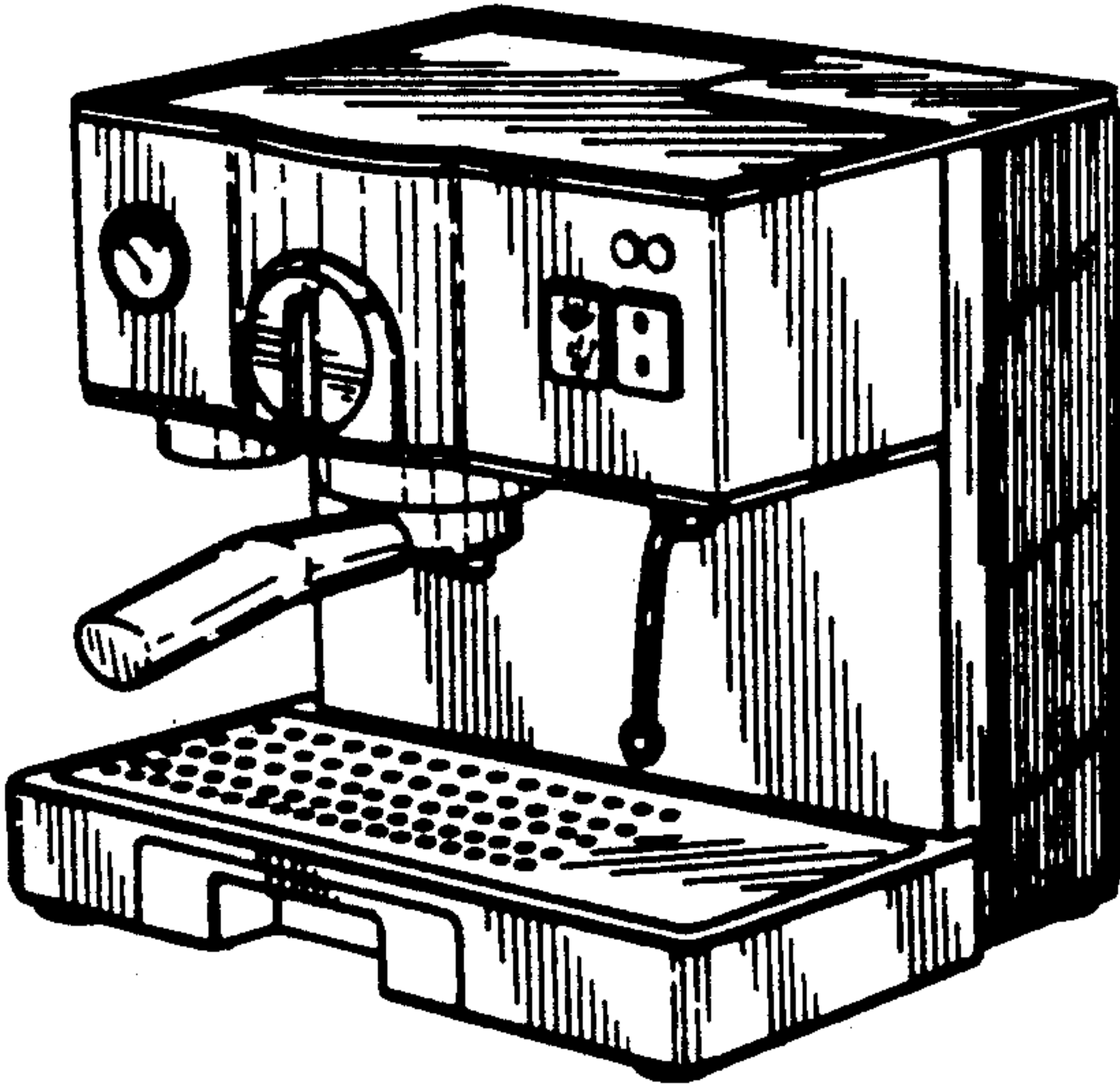


FIG. 2

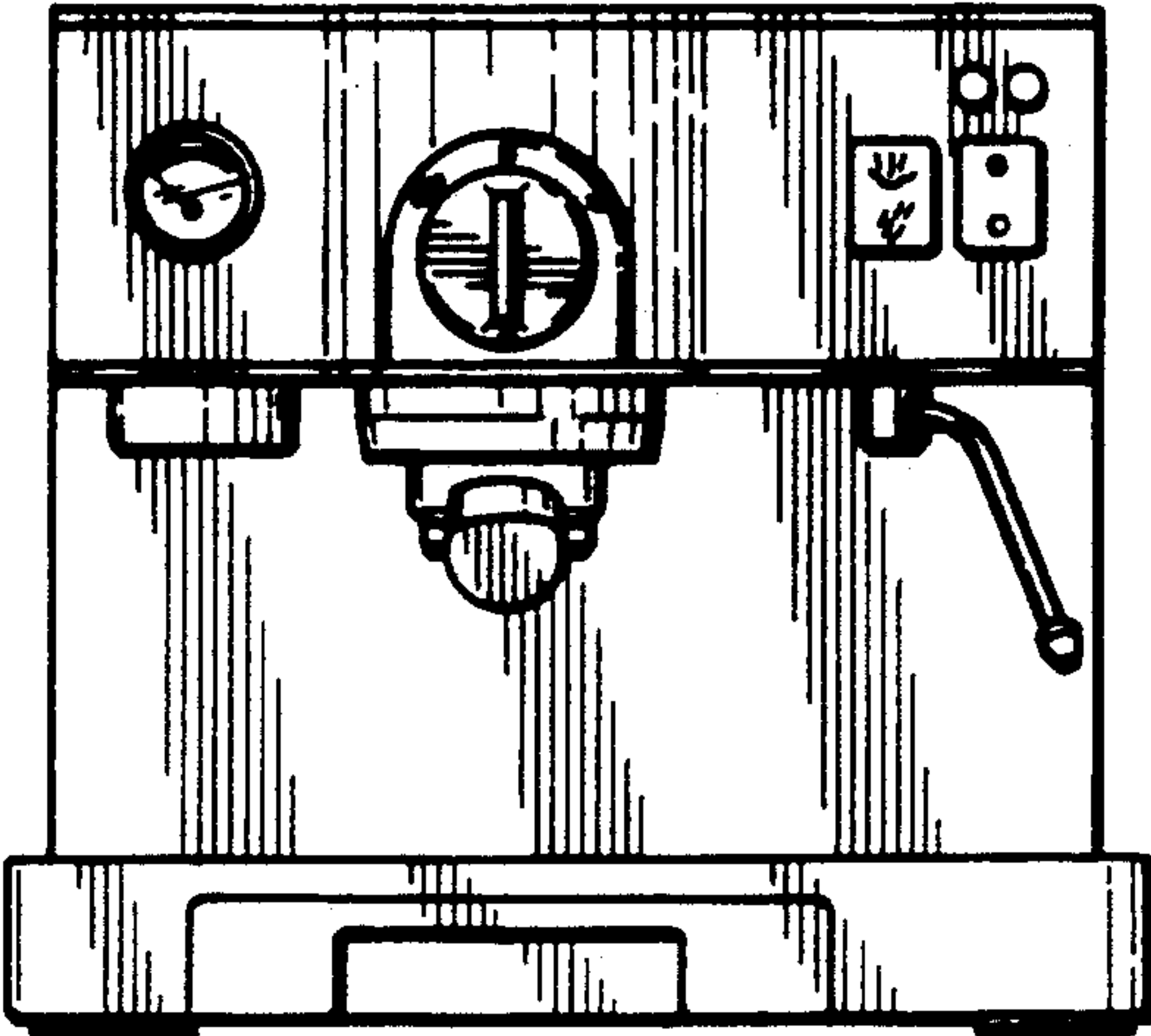
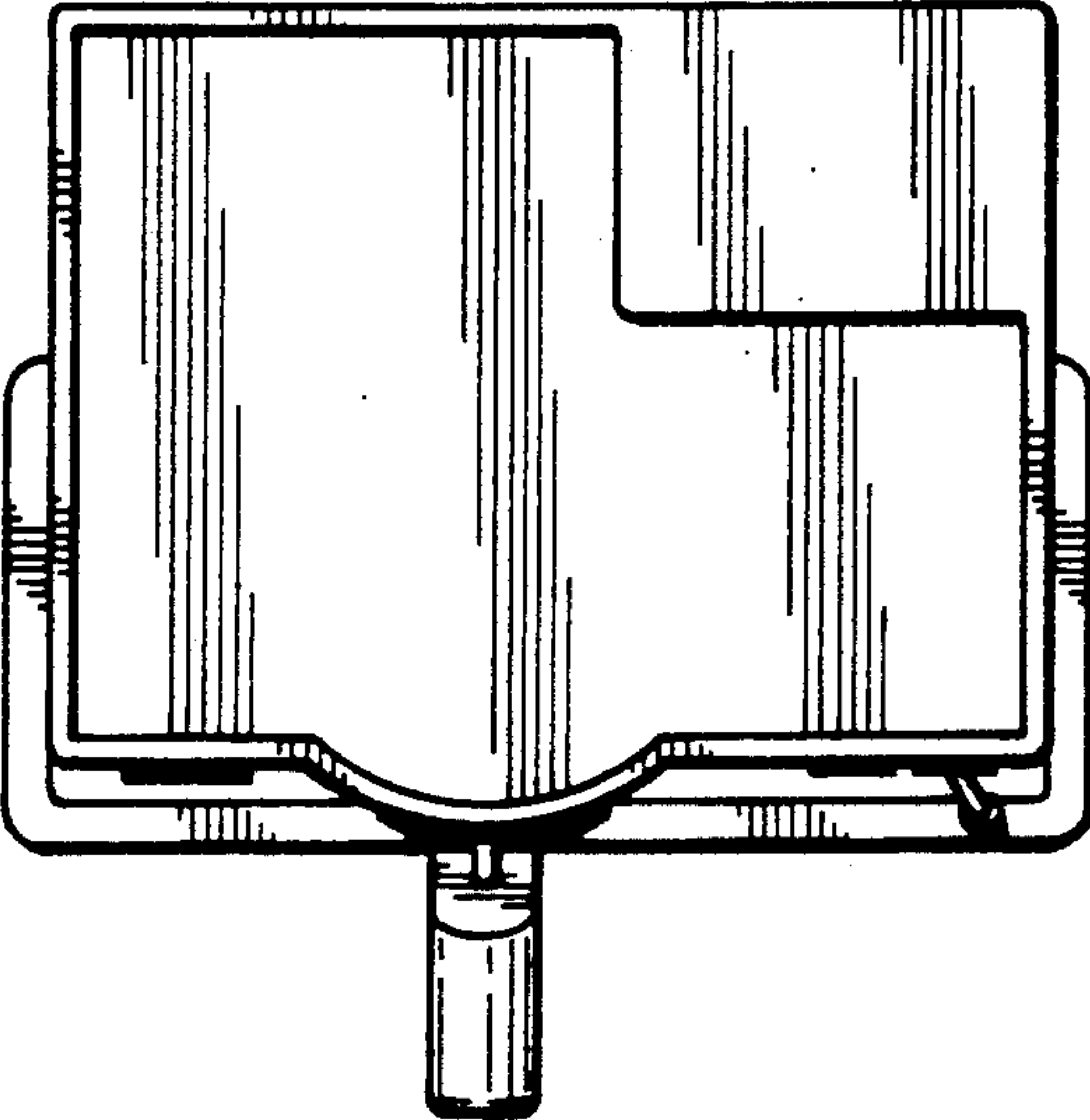


FIG. 3



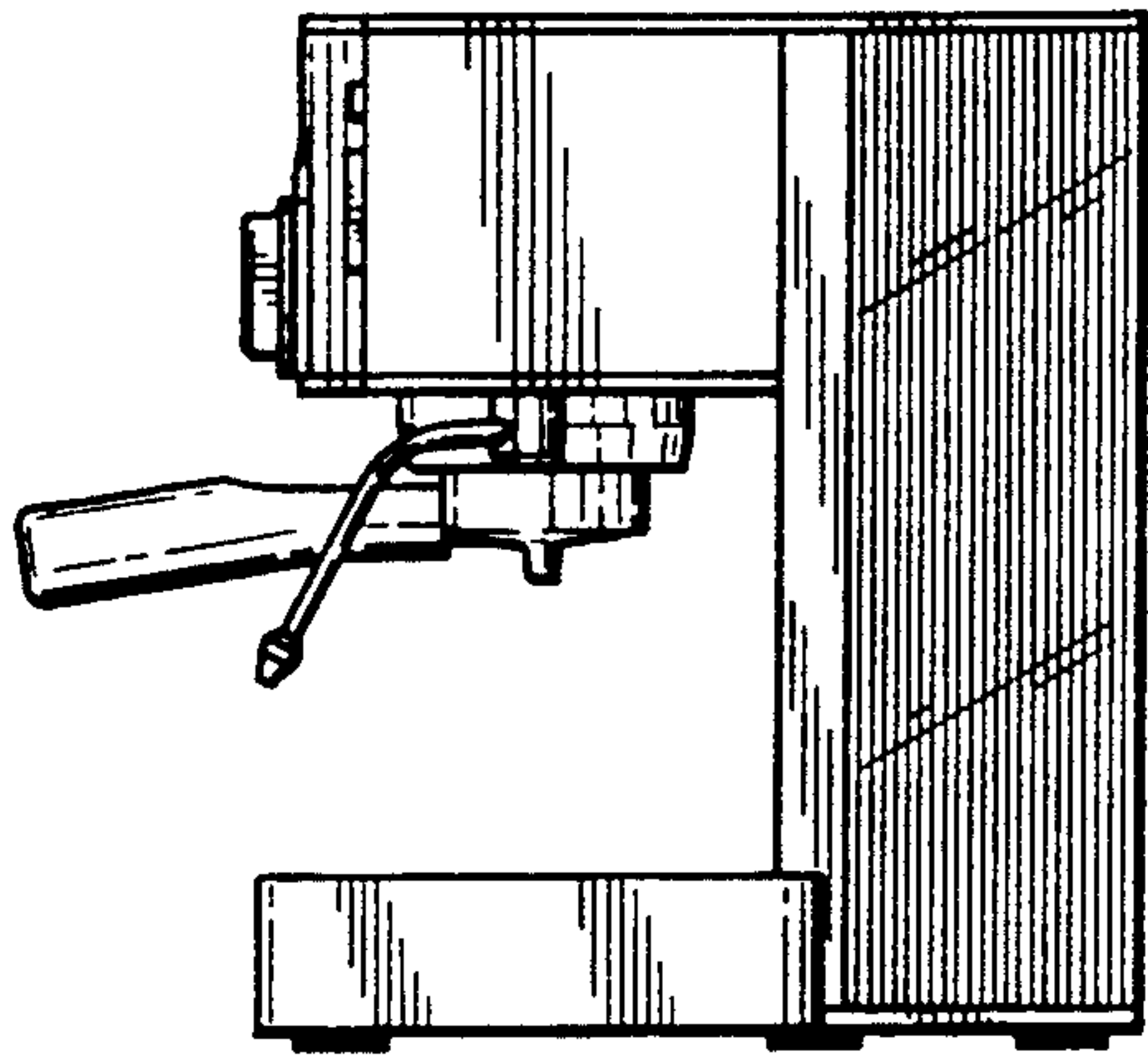


FIG. 4

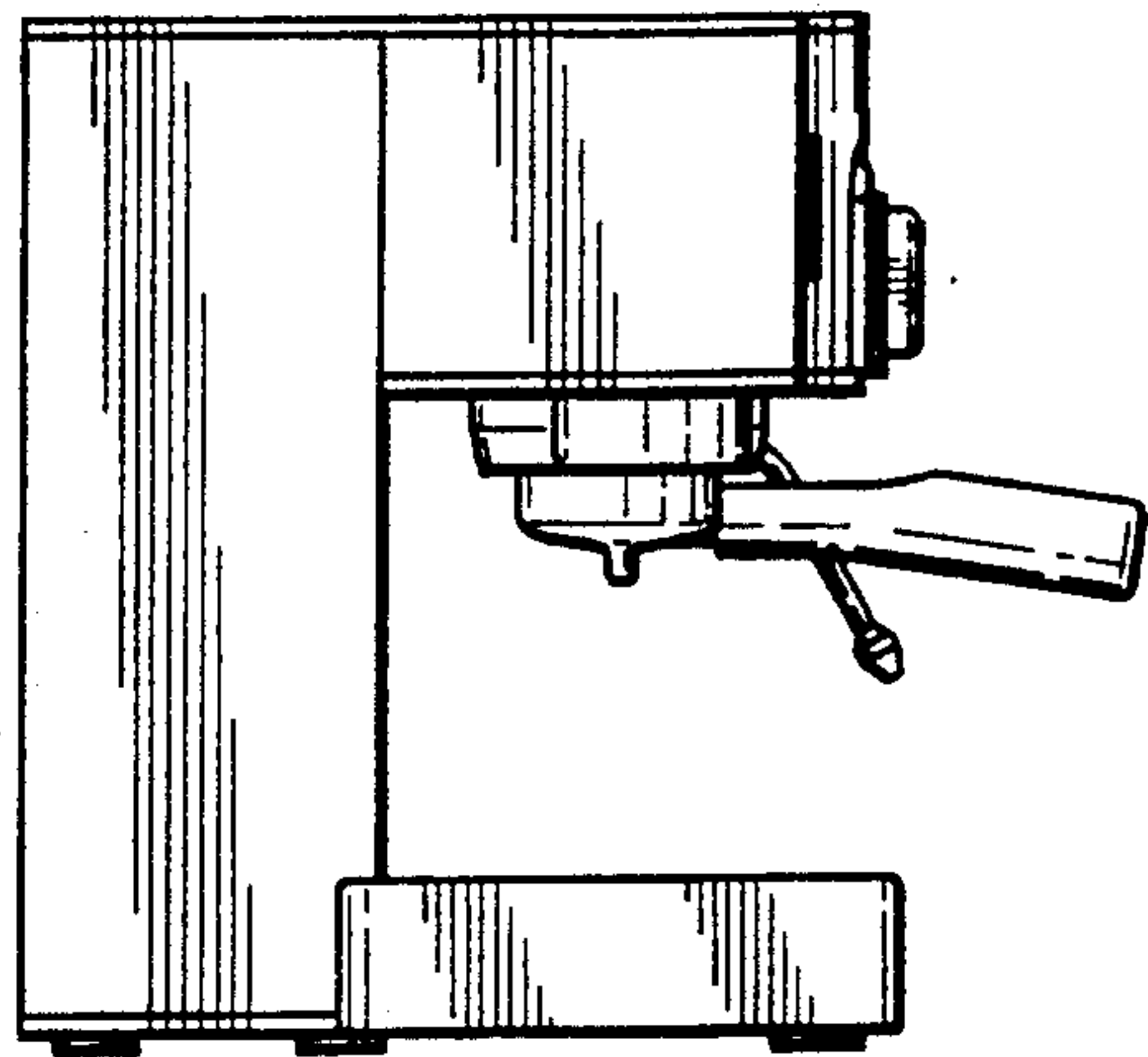


FIG. 5

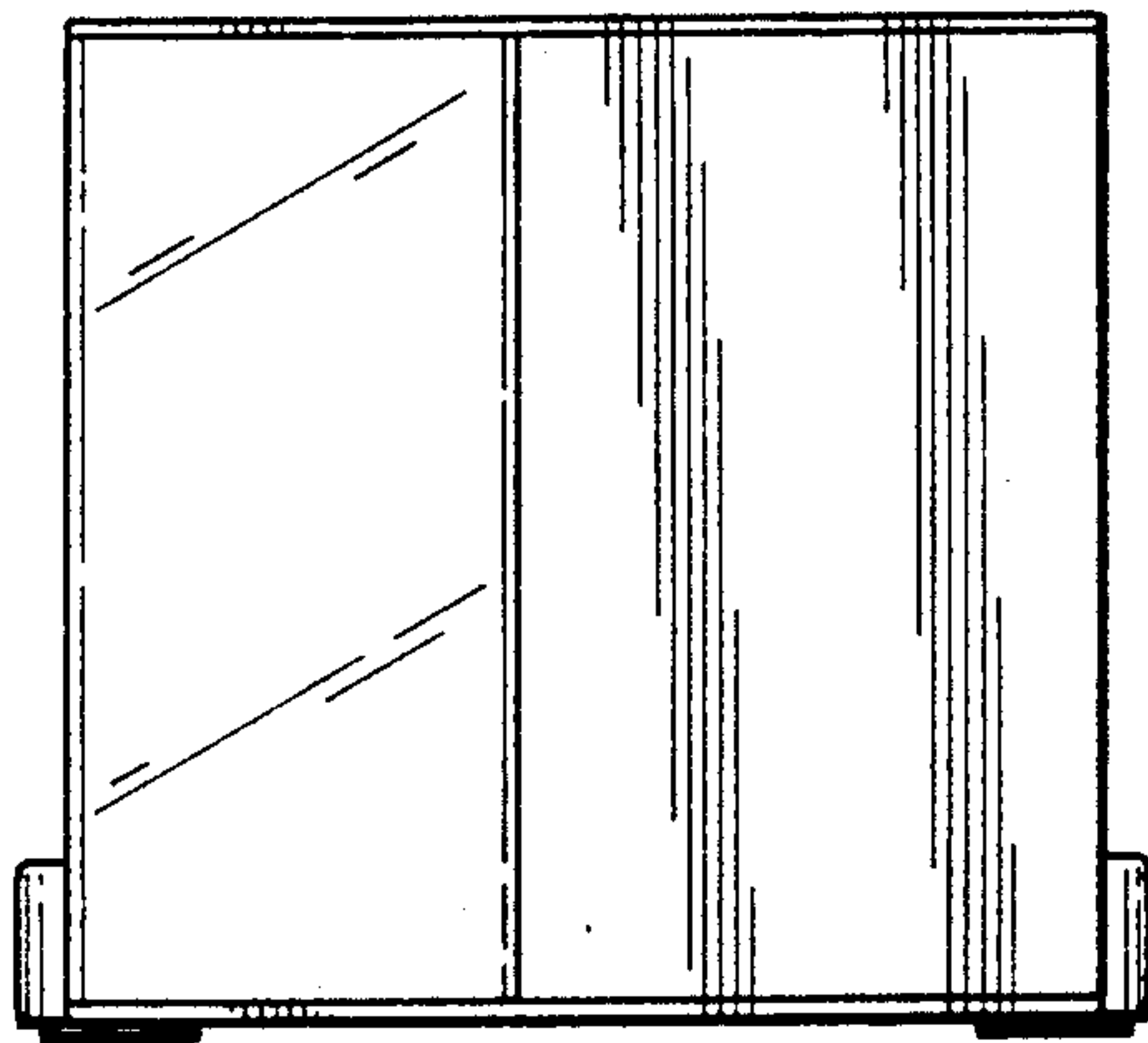


FIG. 6

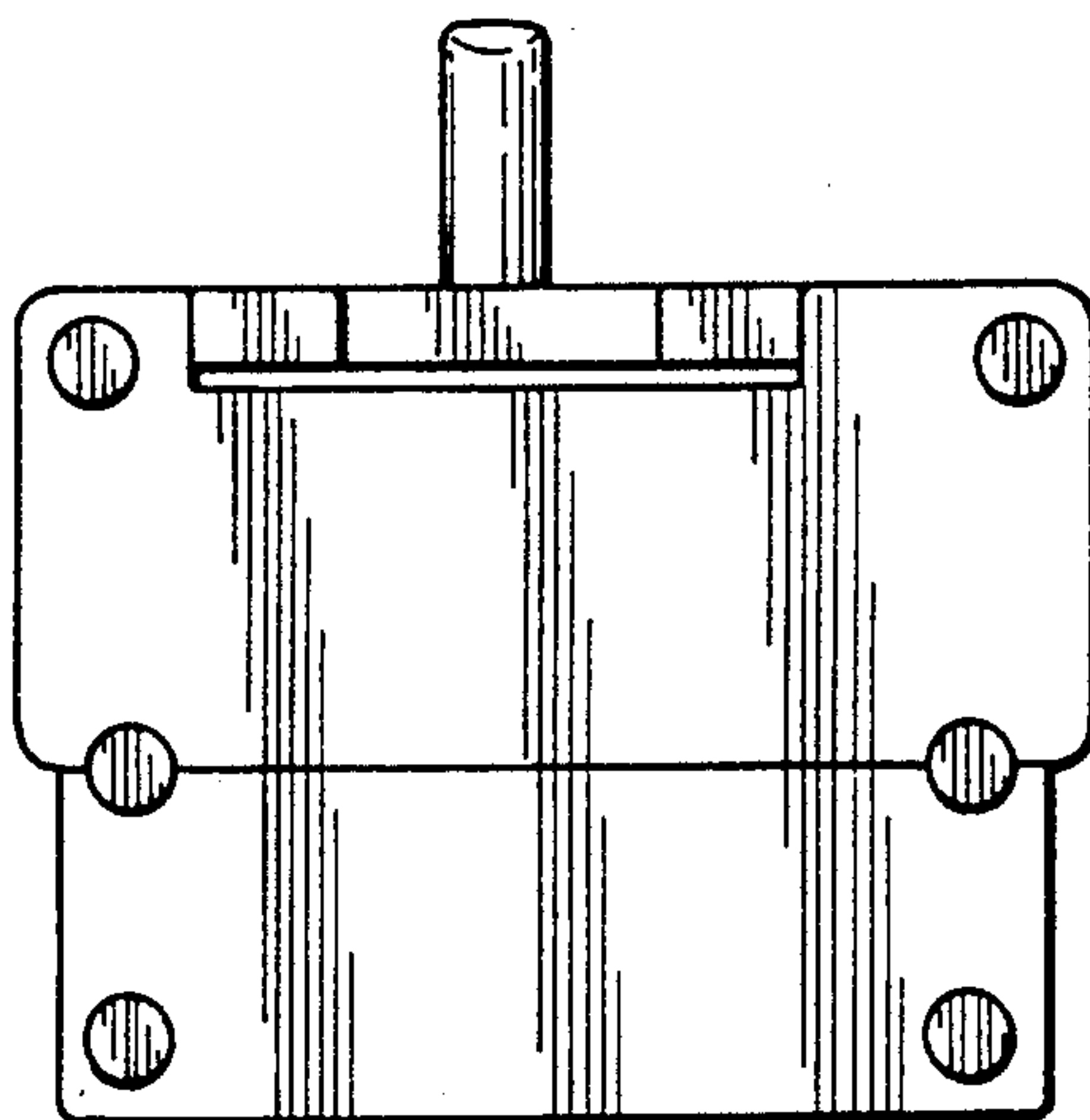


FIG. 7