



US00D323946S

United States Patent [19]

Plottel

[11] Patent Number: **Des. 323,946**

[45] Date of Patent: **** Feb. 18, 1992**

[54] **SHELVING UNIT**

4,481,748 11/1984 D'Alessio et al. D25/126 X

[76] Inventor: **Michael E. Plottel**, 200 E. 72nd St.,
New York, N.Y. 10021

Primary Examiner—Bruce W. Dunkins
Assistant Examiner—Jeffrey Asch

[**] Term: **14 Years**

[57] **CLAIM**

[21] Appl. No.: **365,031**

The ornamental design for a shelving unit, as shown and described.

[22] Filed: **Jun. 9, 1989**

DESCRIPTION

[52] U.S. Cl. **D6/478**

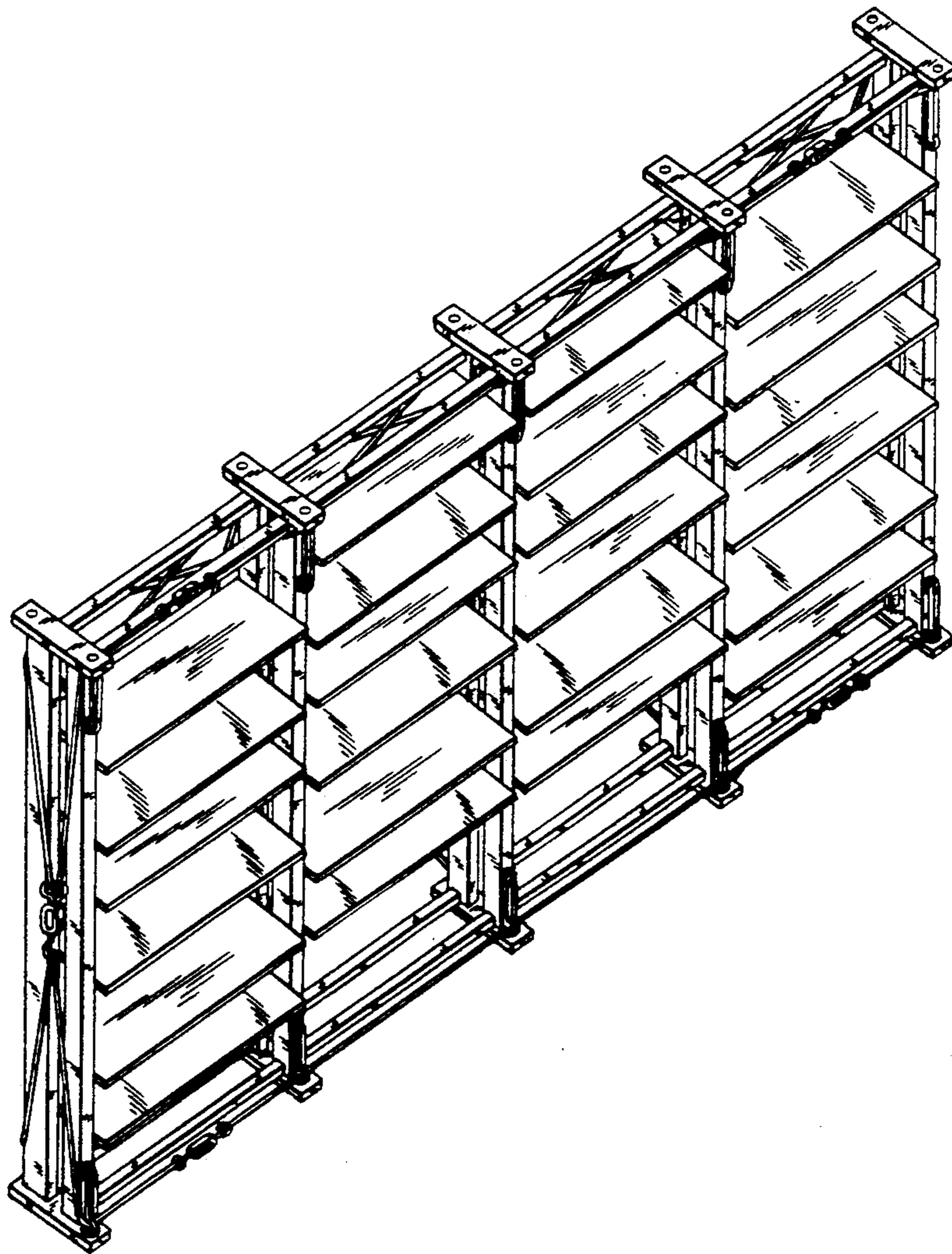
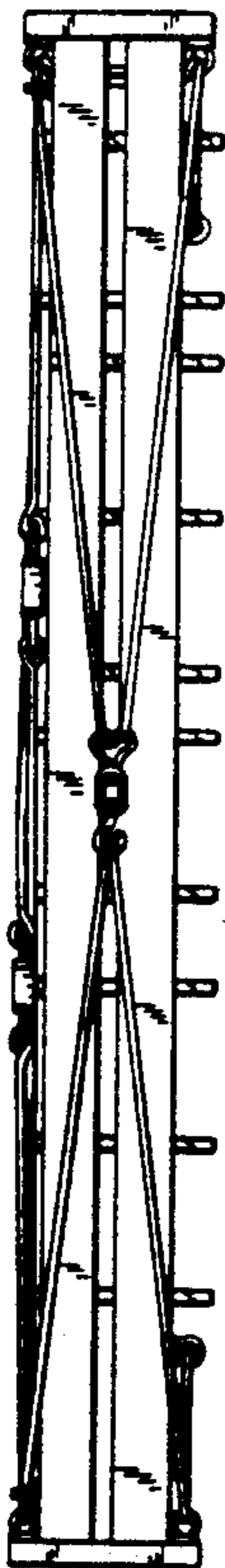
[58] Field of Search **D6/478, 477, 479, 461,**
D6/464, 465, 468; D25/126, 100; 211/186, 187;
108/111, 42, 144, 59, 91

FIG. 1 is a left side elevational view of a shelving unit showing my new design;
FIG. 2 is a rear elevational view;
FIG. 3 is a top plan view;
FIG. 4 is a right side elevational view;
FIG. 5 is a front elevational view;
FIG. 6 is a bottom plan view;
FIG. 7 is a front, left side, and top perspective on a reduced scale; and
FIG. 8 is a rear, left side, and top perspective view thereof, on a reduced scale.

[56] **References Cited**

U.S. PATENT DOCUMENTS

D. 251,947	5/1979	Taniwaki	D6/478 X
D. 256,196	8/1980	Kates	D6/478
D. 259,317	5/1981	Gilmore	D6/478
1,698,974	1/1929	Vance	D6/474 X



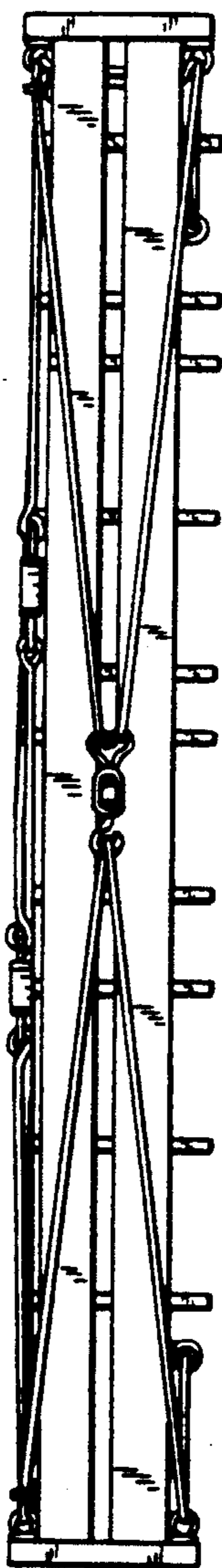


FIG. 1

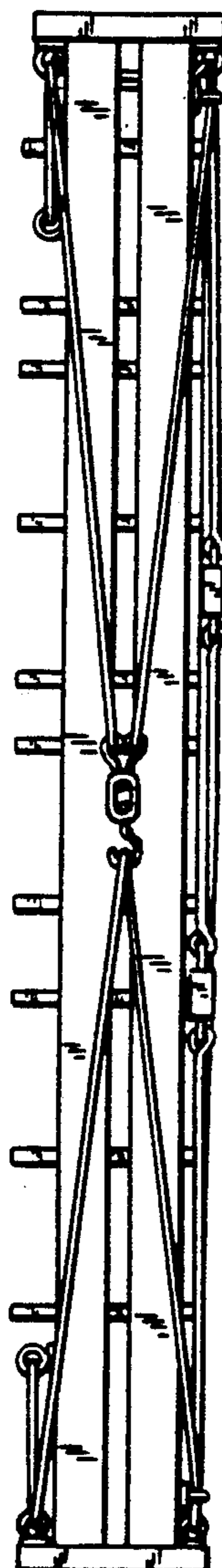


FIG. 4

FIG. 2

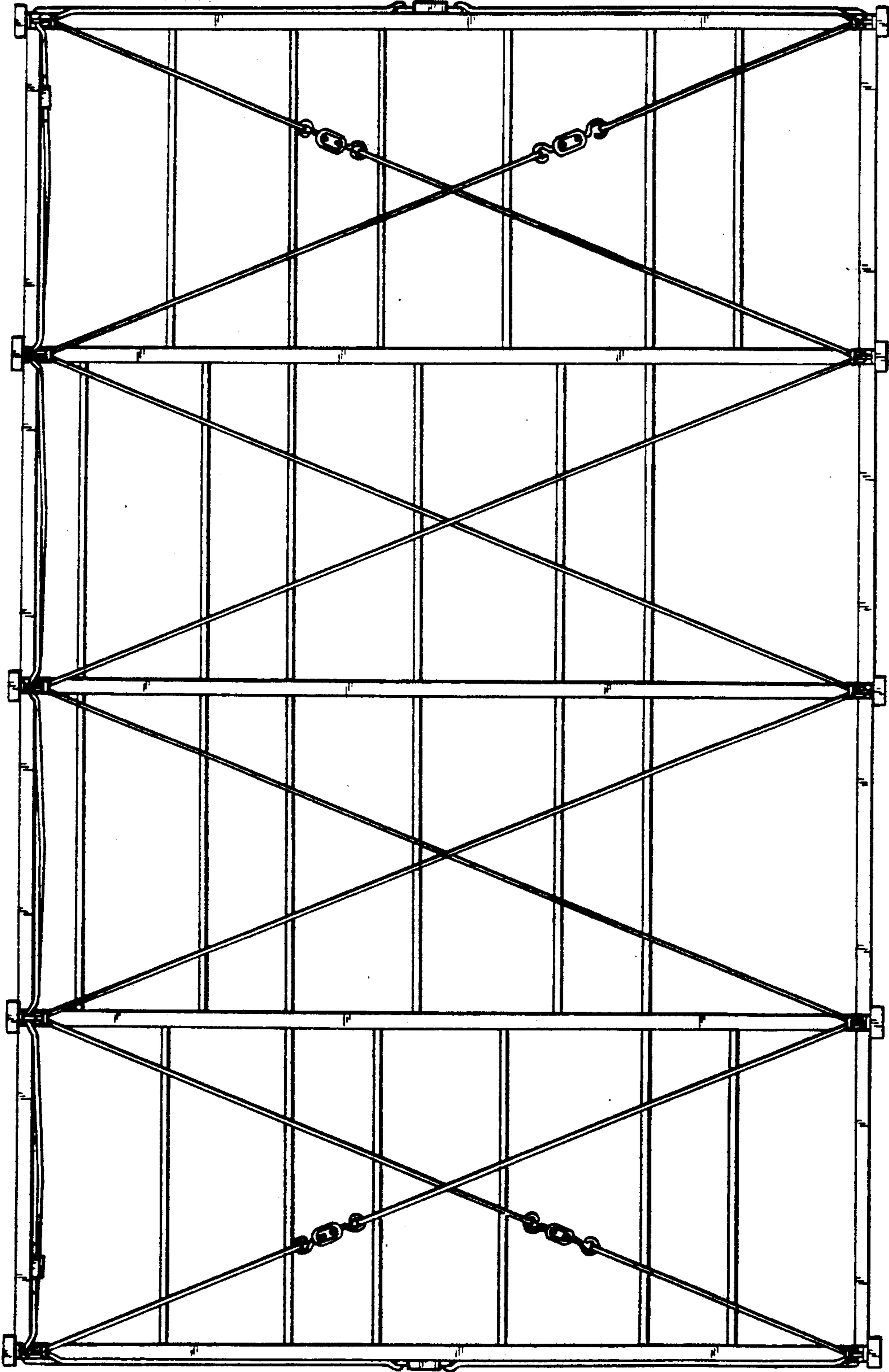


FIG. 3

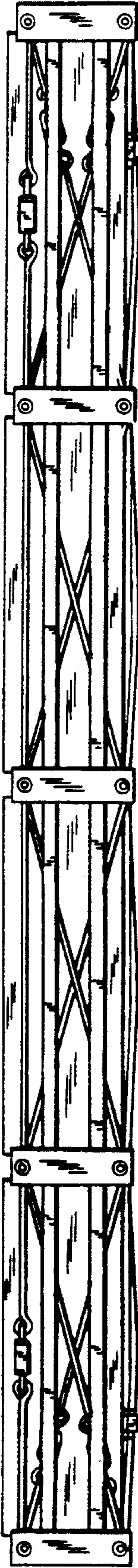
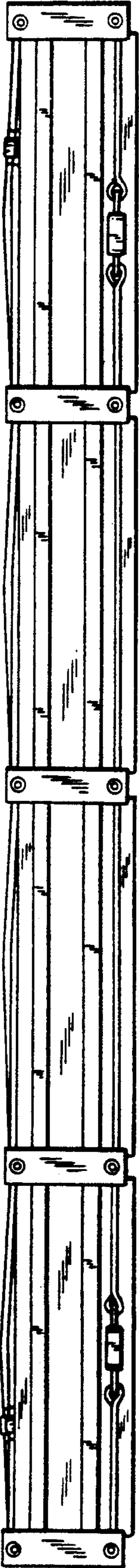


FIG. 6



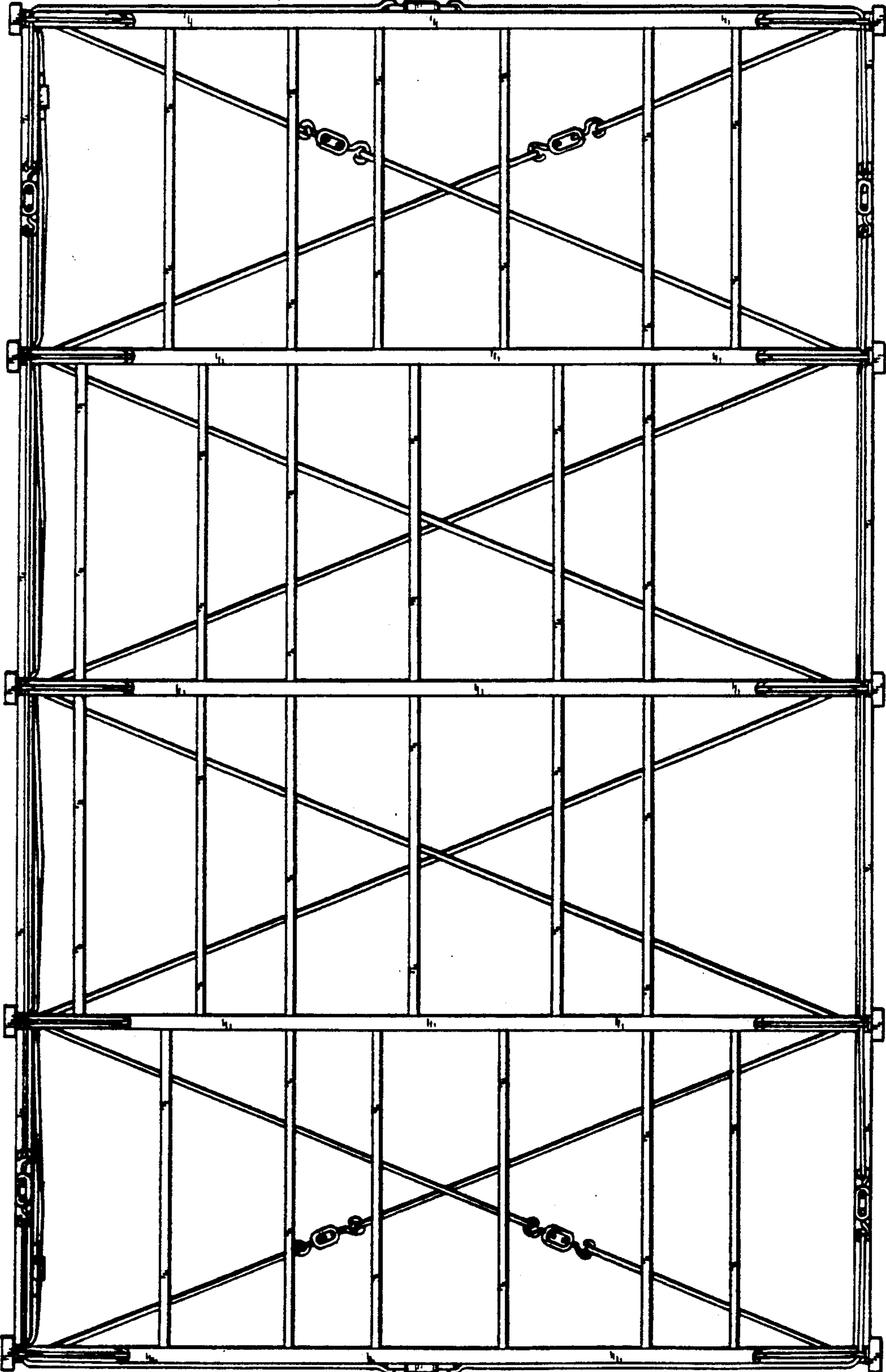
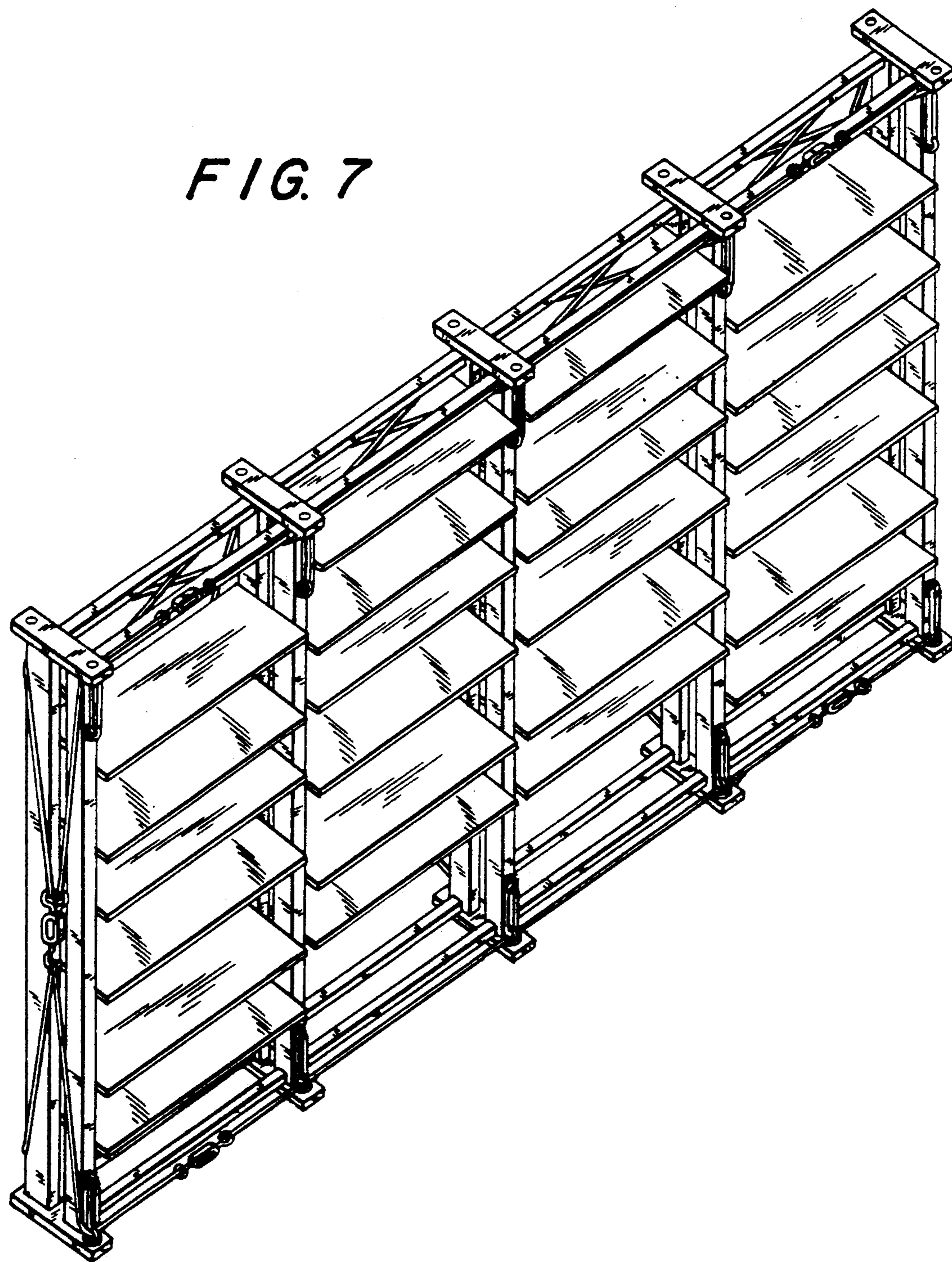


FIG. 5

FIG. 7



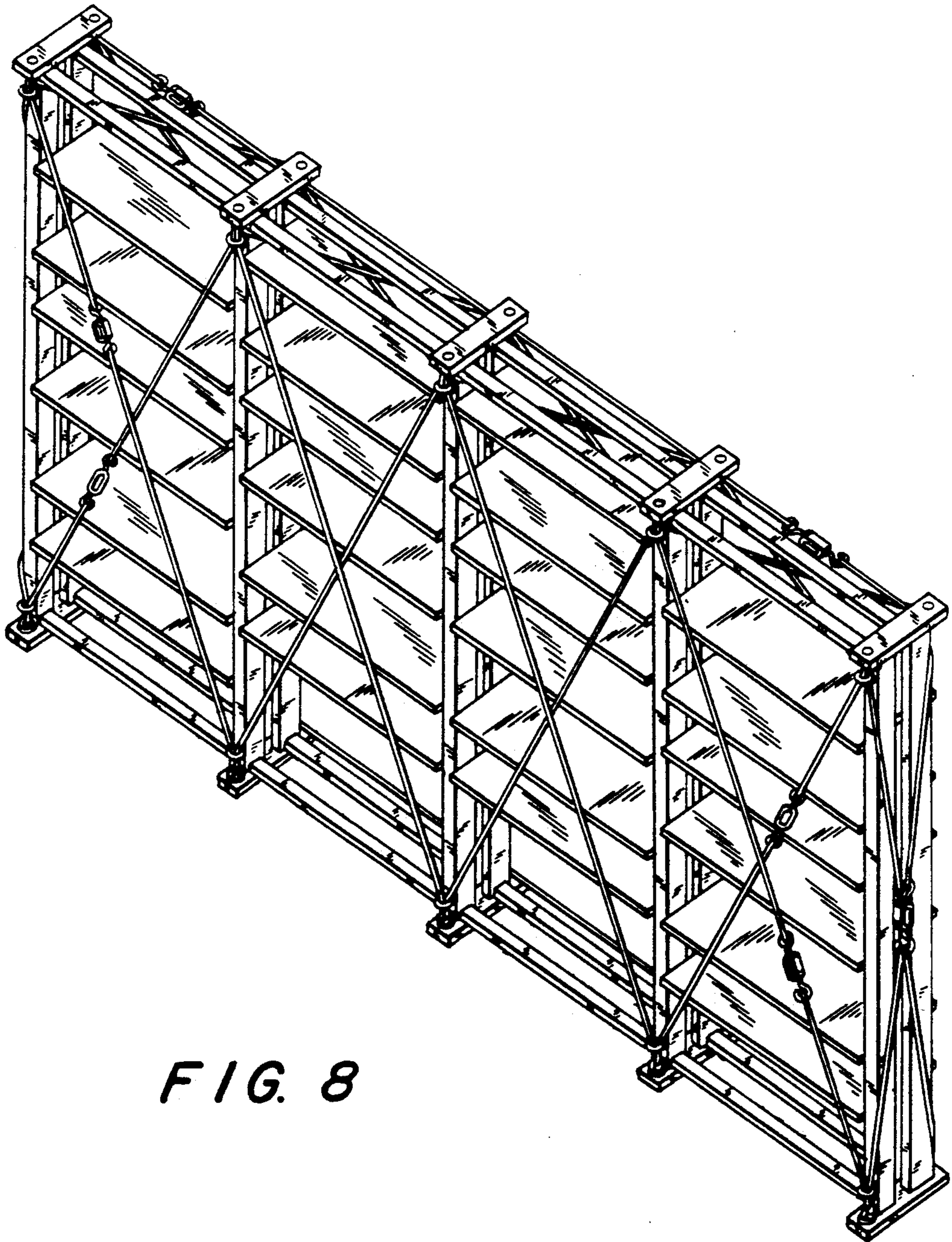


FIG. 8