



US00D323942S

# United States Patent [19]

[11] Patent Number: **Des. 323,942**

**Tatarchuk**

[45] Date of Patent: **\*\* Feb. 18, 1992**

[54] **SWING APPARATUS**

|            |         |          |       |        |
|------------|---------|----------|-------|--------|
| D. 276,927 | 12/1984 | Bolin    | ..... | D6/346 |
| 3,093,834  | 6/1963  | Watkins  | ..... | D25/56 |
| 3,303,851  | 2/1967  | Grunfeld | ..... | D25/56 |

[76] Inventor: **Wendell Tatarchuk**, 121 Merry Mark Dr., Lumberton, Tex. 77656

*Primary Examiner*—Bruce W. Dunkins  
*Assistant Examiner*—J. H. Musgrove  
*Attorney, Agent, or Firm*—Kenneth D. Baugh

[\*\*] Term: **14 Years**

[21] Appl. No.: **85,608**

[57] **CLAIM**

[22] Filed: **Aug. 14, 1987**

The ornamental design for a swing apparatus, as shown and described.

[52] U.S. Cl. .... **D6/347**

[58] Field of Search ..... **D6/399, 346, 347, 337; D25/56**

**DESCRIPTION**

[56] **References Cited**

**U.S. PATENT DOCUMENTS**

|            |        |              |       |        |
|------------|--------|--------------|-------|--------|
| D. 83,452  | 2/1931 | Klemm et al. | ..... | D6/399 |
| D. 83,587  | 3/1931 | Weaver       | ..... | D6/346 |
| D. 240,283 | 6/1976 | Miller       | ..... | D6/337 |
| D. 252,994 | 9/1979 | Pettingill   | ..... | D25/56 |
| D. 268,549 | 4/1983 | Liu          | ..... | D6/337 |

FIG. 1 is a front left-side perspective view of a swing apparatus showing my new design; FIG. 2 is a front elevational view the rear being identical with the mere difference being the steps; FIG. 3 is a right side elevational view; FIG. 4 is a left side elevational view; and FIG. 5 is a front elevational view showing the swing in an alternate position.

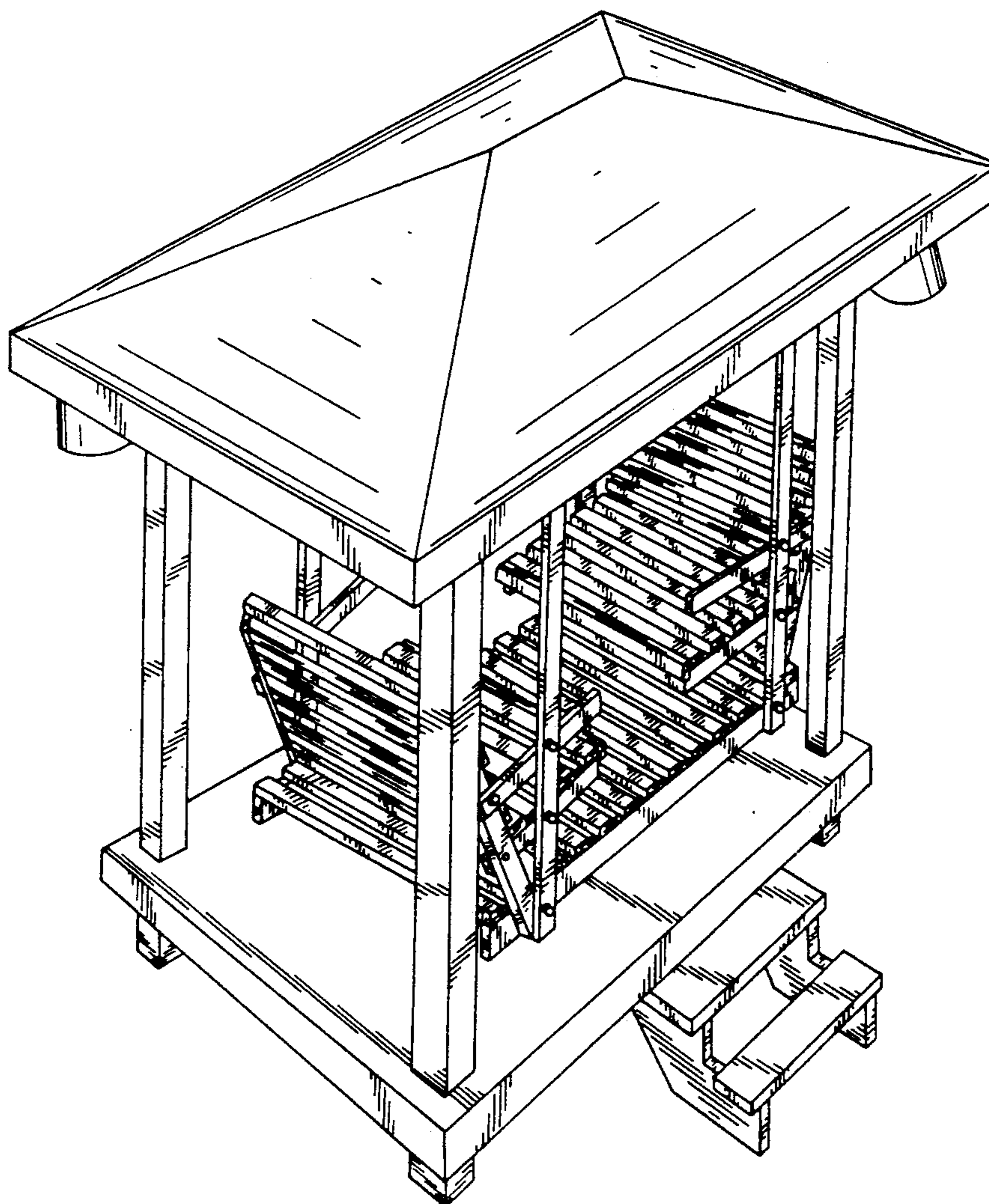
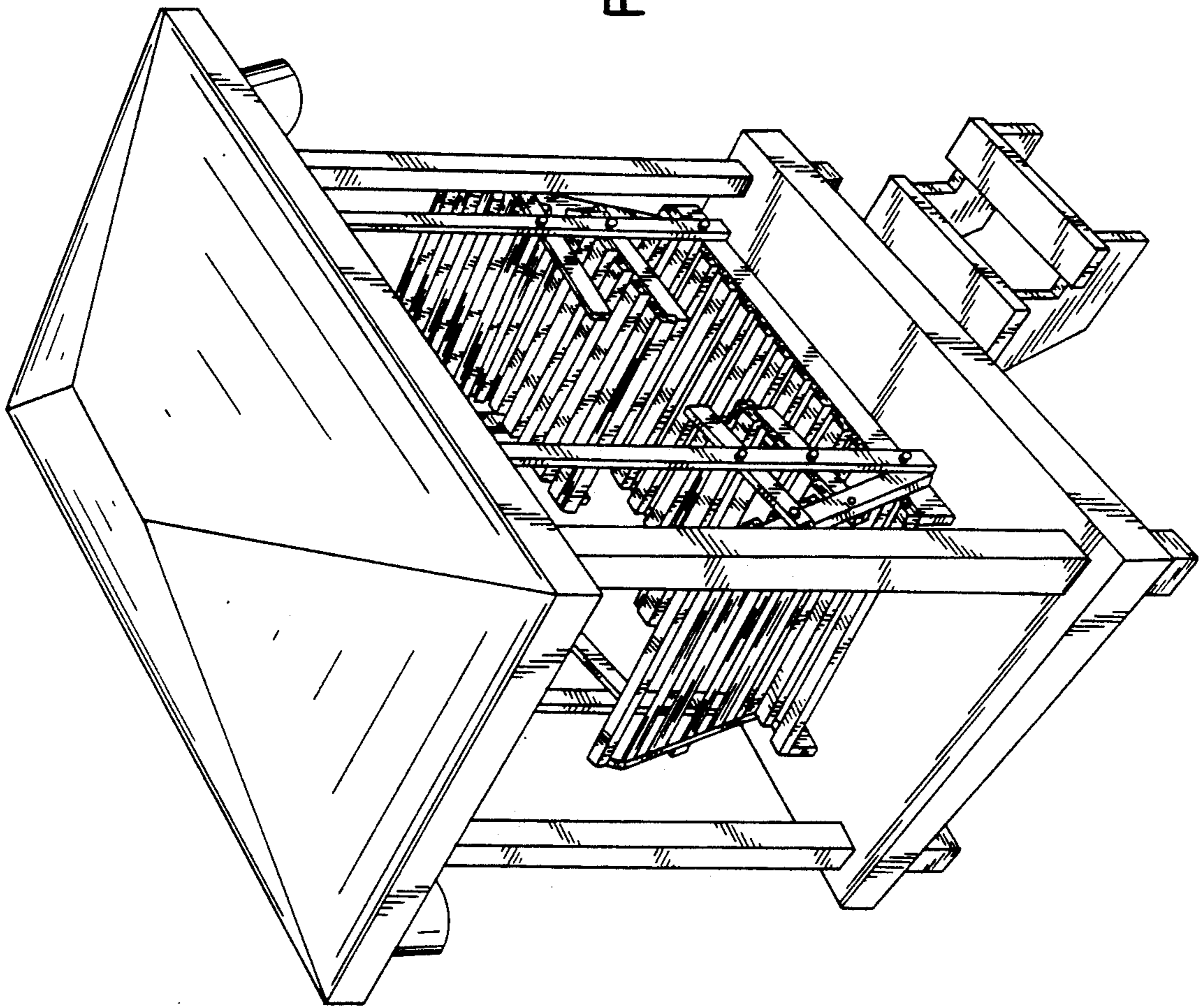


FIG. 1



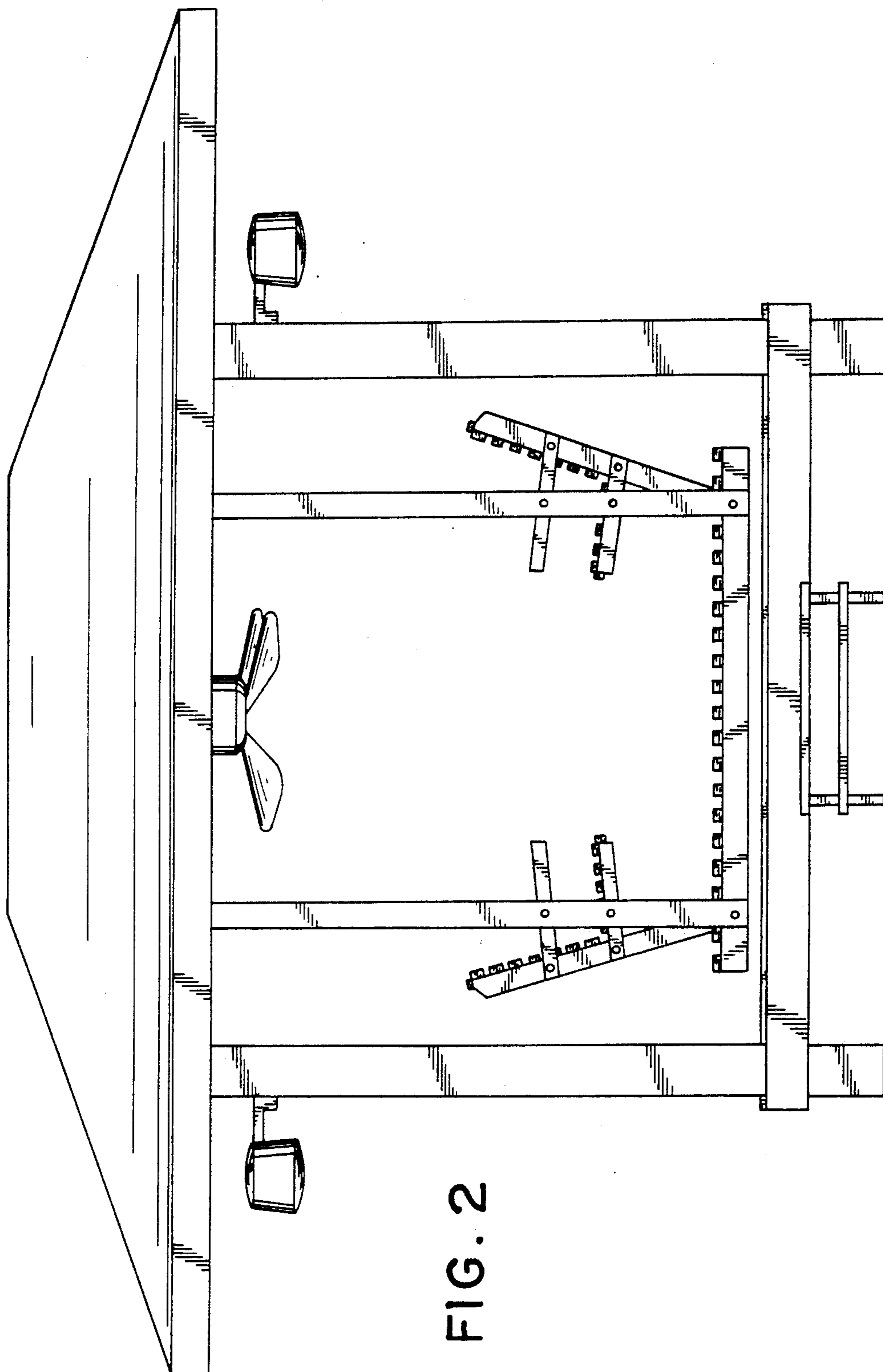


FIG. 2

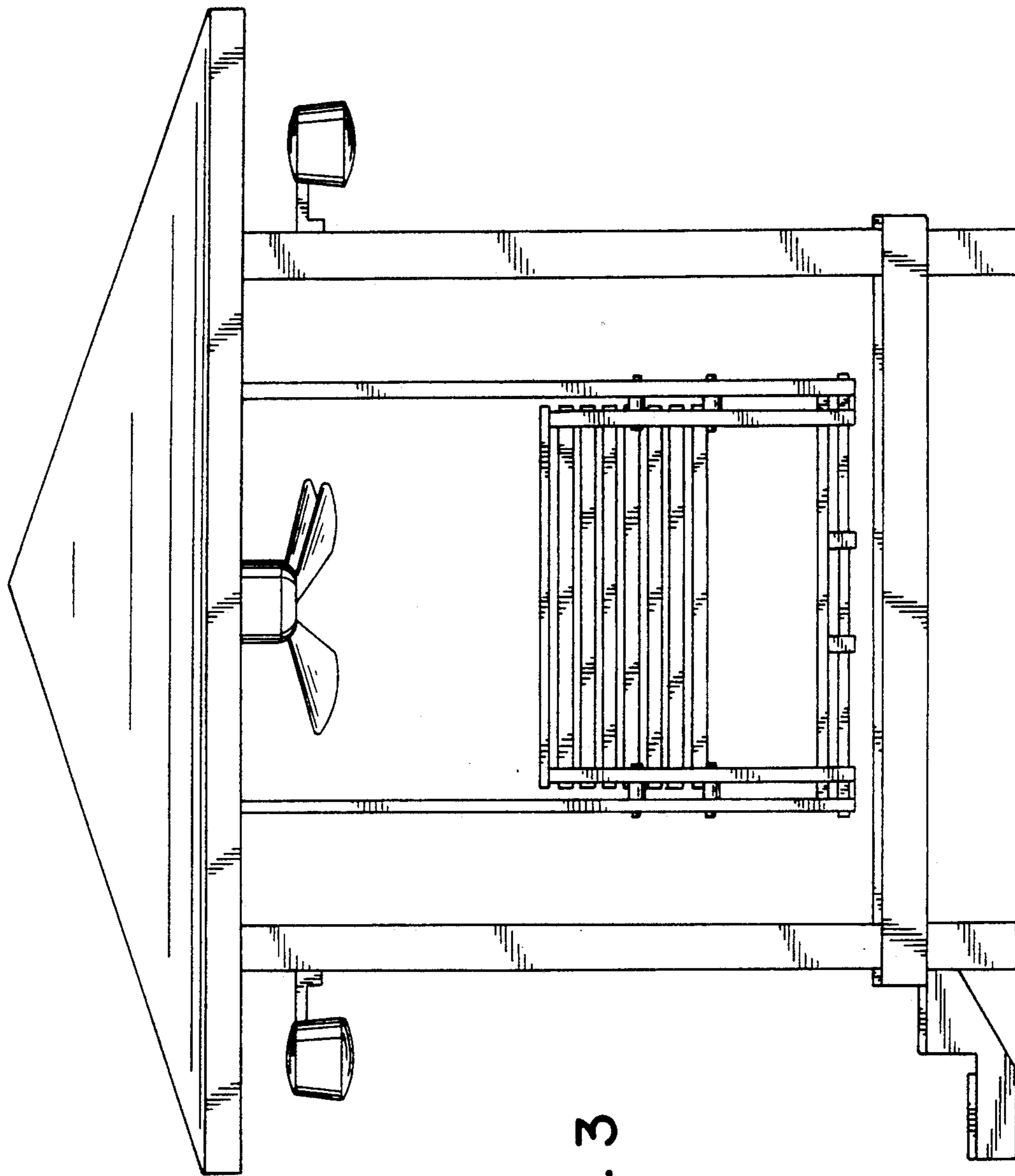


FIG. 3

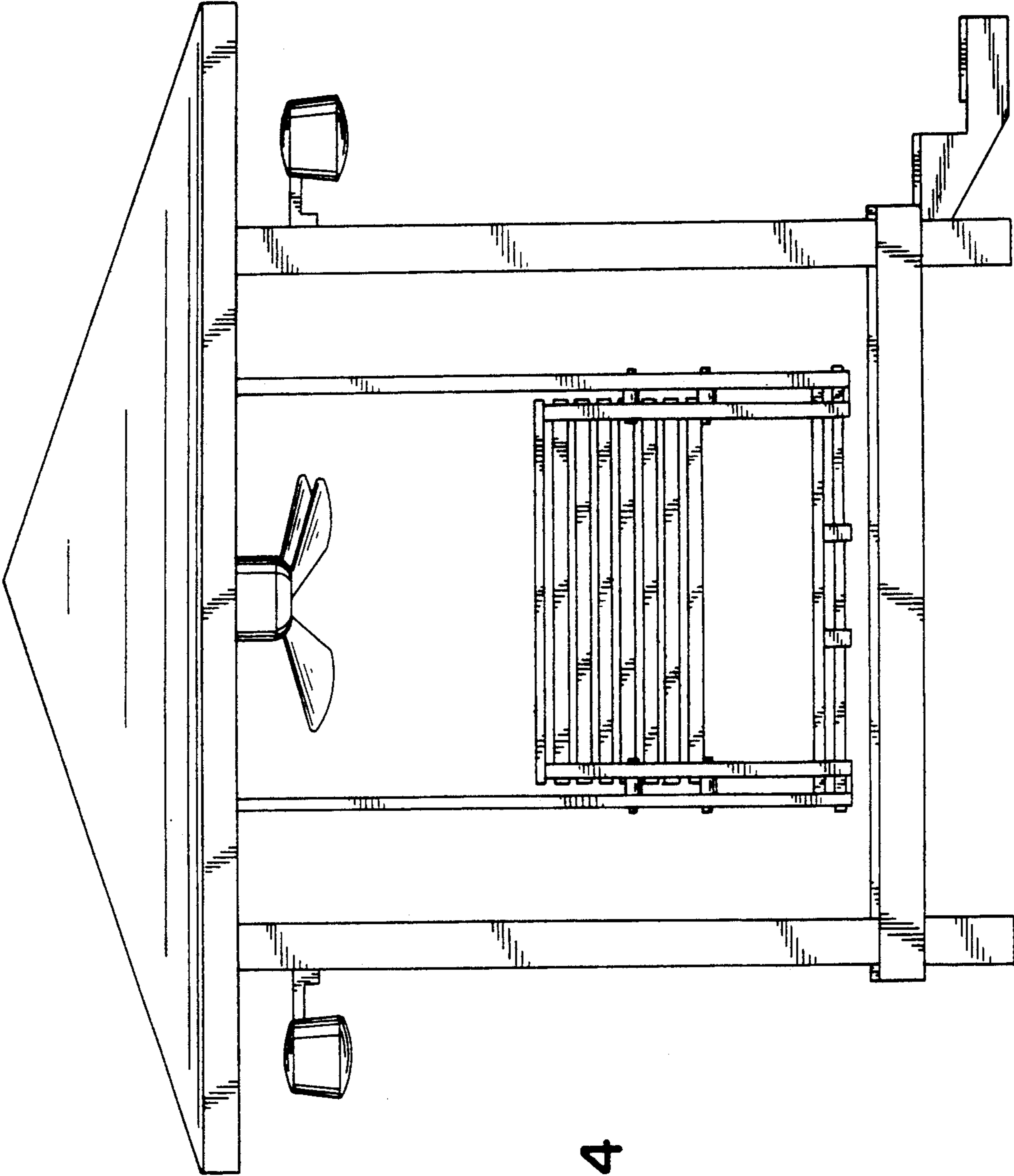


FIG.4

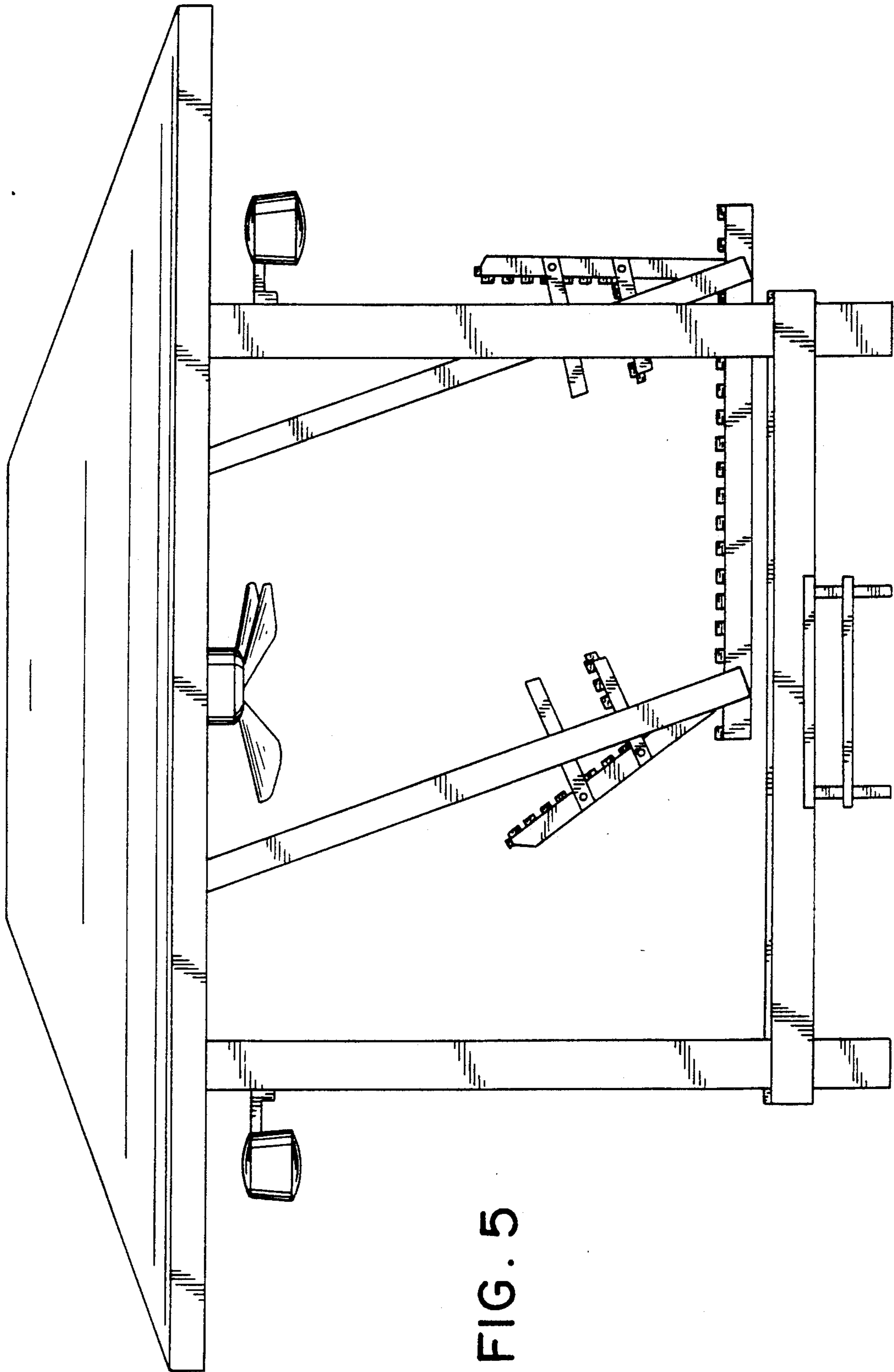


FIG. 5