



US00D323941S

United States Patent [19]

[11] Patent Number: **Des. 323,941**

Schwartz

[45] Date of Patent: **** Feb. 18, 1992**

[54] **PRE-KNOTTED NECKTIE HANGER**

[76] Inventor: **Donald C. Schwartz, 27 Lawn St., Dayton, Ohio 45405**

[**] Term: **14 Years**

[21] Appl. No.: **298,037**

[22] Filed: **Jan. 17, 1989**

[52] U.S. Cl. **D6/317**

[58] Field of Search **D6/315, 317, 326; 223/85, DIG. 1, 88; 211/113, 119, 106**

2,099,507	11/1937	Wright	211/106
2,127,870	8/1938	Kennedy	223/88
2,643,003	6/1953	Christie	211/119
3,269,554	8/1966	Jay	
3,352,430	11/1967	McAtee	D6/326
3,378,180	4/1968	Singer	
4,059,191	11/1977	Chaisson	

Primary Examiner—**B. J. Bullock**

[57] **CLAIM**

The ornamental design for a pre-knotted necktie hanger, as shown.

[56] **References Cited**

U.S. PATENT DOCUMENTS

D. 202,316	9/1965	Pehr	
D. 208,890	10/1967	Sorensen	
D. 209,434	11/1967	Jamison	
D. 211,795	7/1968	Wooten	D6/317
D. 229,462	12/1973	Searington	D6/317
1,607,749	11/1926	Rice	D6/319

DESCRIPTION

FIG. 1 is a front perspective view of a pre-knotted necktie hanger showing my new design; FIG. 2 is a left side view; FIG. 3 is a right side view; FIG. 4 is a back view; FIG. 5 is a top view; and FIG. 6 is a bottom view.

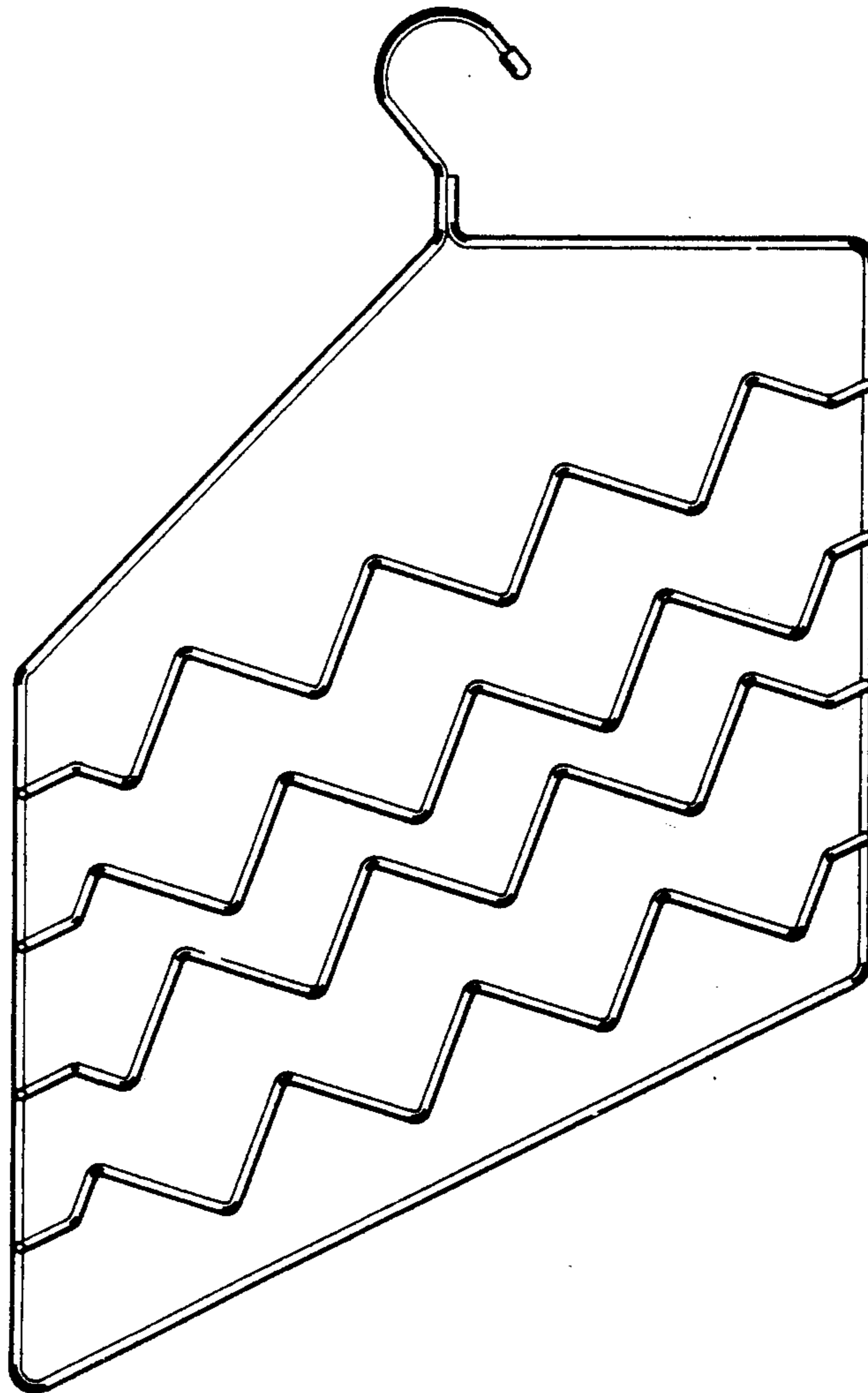


FIG-1

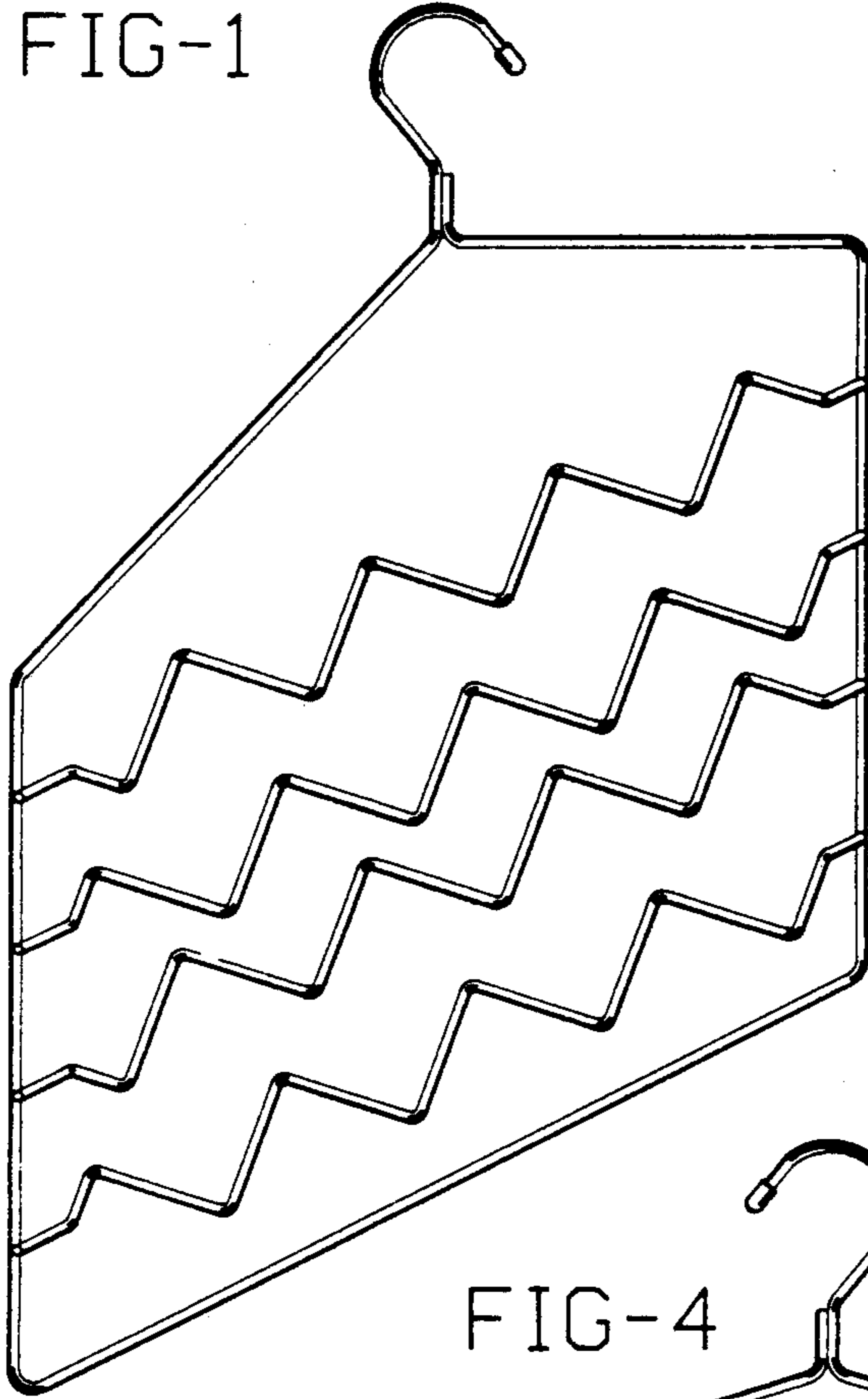


FIG-2

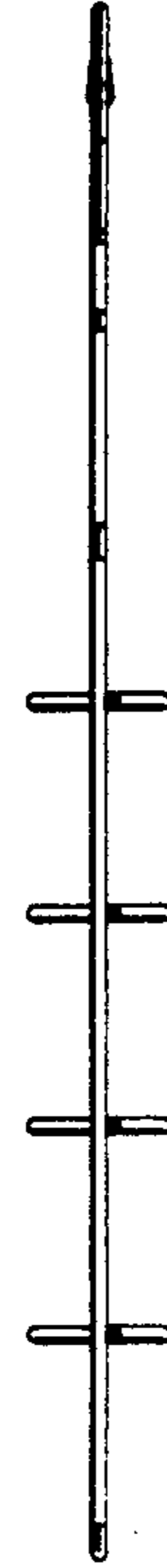


FIG-3



FIG-4

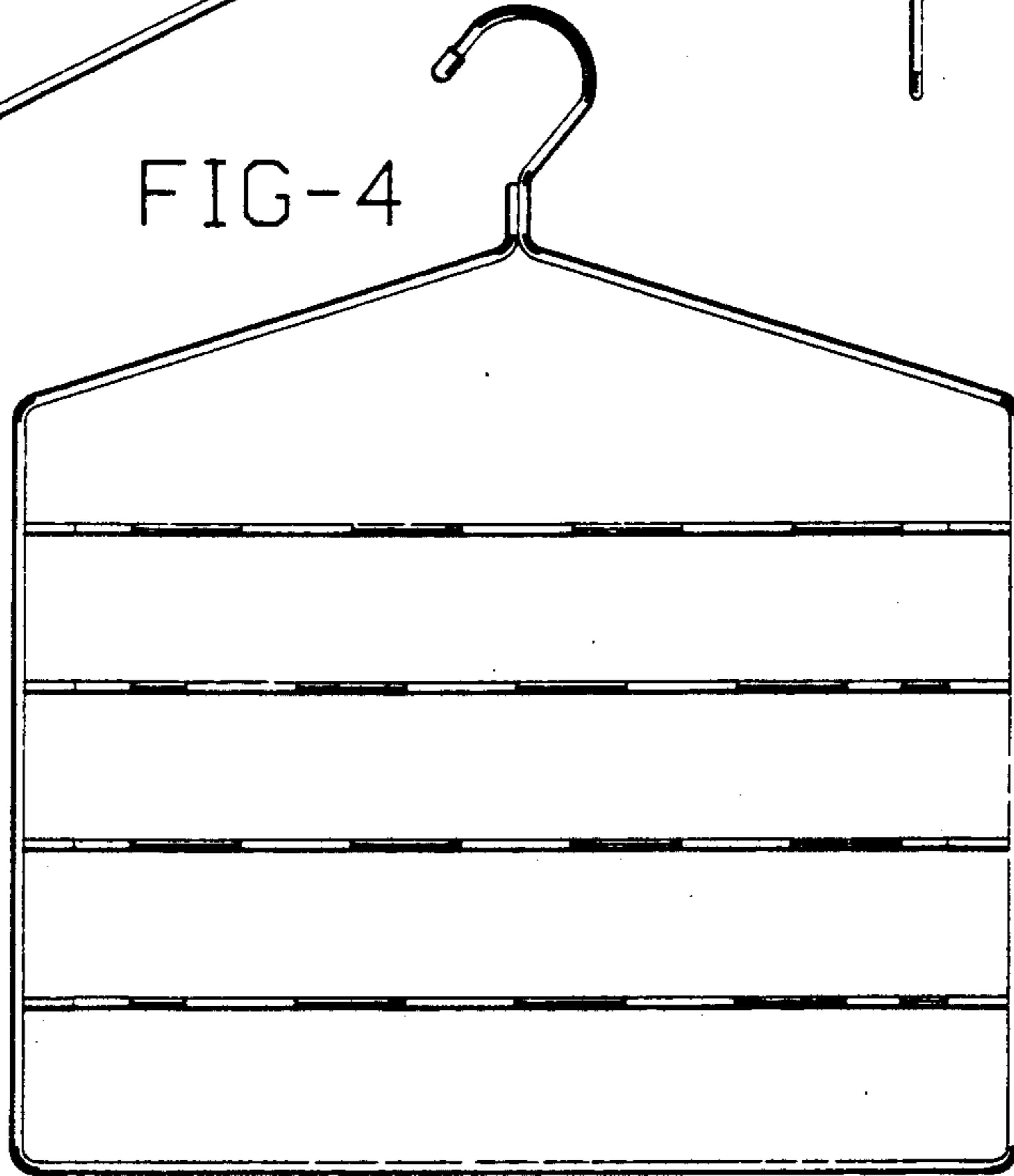


FIG-5



FIG-6

