



US00D323940S

# United States Patent [19]

[11] Patent Number: **Des. 323,940**

Murphy et al.

[45] Date of Patent: **\*\* Feb. 18, 1992**

[54] **COMBINED WHISK BROOM AND DUST PAN**

[75] Inventors: **Kent W. Murphy, Wooster, Ohio; Joseph Lapin, Montreal, Canada**

[73] Assignee: **Rubbermaid Incorporated, Wooster, Ohio**

[\*\*] Term: **14 Years**

[21] Appl. No.: **548,726**

[22] Filed: **Jul. 2, 1990**

[52] U.S. Cl. .... **D4/116; D32/74**

[58] Field of Search ..... **D4/116, 130-132, D4/135-138, 199; D32/74; 15/143 R, 146, 159 R, 159 A, 160, 168-169, 171, 175, 257.1-257.2**

[56] **References Cited**

**U.S. PATENT DOCUMENTS**

D. 145,887	11/1946	Fox	.....	D32/74
D. 206,276	11/1966	Parsisson	.....	D32/74
D. 254,286	2/1980	Daniel	.....	D32/74
1,908,730	5/1933	Caldwell	.....	15/257.1
2,477,876	8/1949	Jaffa	.....	D32/74 X
2,651,924	9/1953	Lawrence	.....	15/257.1

**OTHER PUBLICATIONS**

Morley-Murphy Co., ©1942; Window Brushes-Edward item No. 60 & Bud, item No. 5457, p. 954.  
Page 3, Empire Brushes, Inc., Sanitary & Maintenance

Supply Catalog, U.S. Highway 13N, Greenville, N.C. 27835, publication date unknown.

Page 63, Rubbermaid Canada Inc., Consumer Products Division, 2562 Stanfield Road, Mississauga, Ontario, Canada L4V 155, publication date 1989.

Page 22, Rubbermaid Incorporated, 1147 Akron Rd., Wooster, Ohio 44691, publication date 1988.

*Primary Examiner*—Susan J. Lucas

*Assistant Examiner*—Lavone D. Tabor

*Attorney, Agent, or Firm*—Richard B. O'Planick

[57] **CLAIM**

The ornamental design for a combined whisk broom and dust pan, as shown and described.

**DESCRIPTION**

FIG. 1 is a top, front, and side perspective view of a combined whisk broom and dust pan showing our new design;

FIG. 2 is an exploded top, front, and side perspective view thereof;

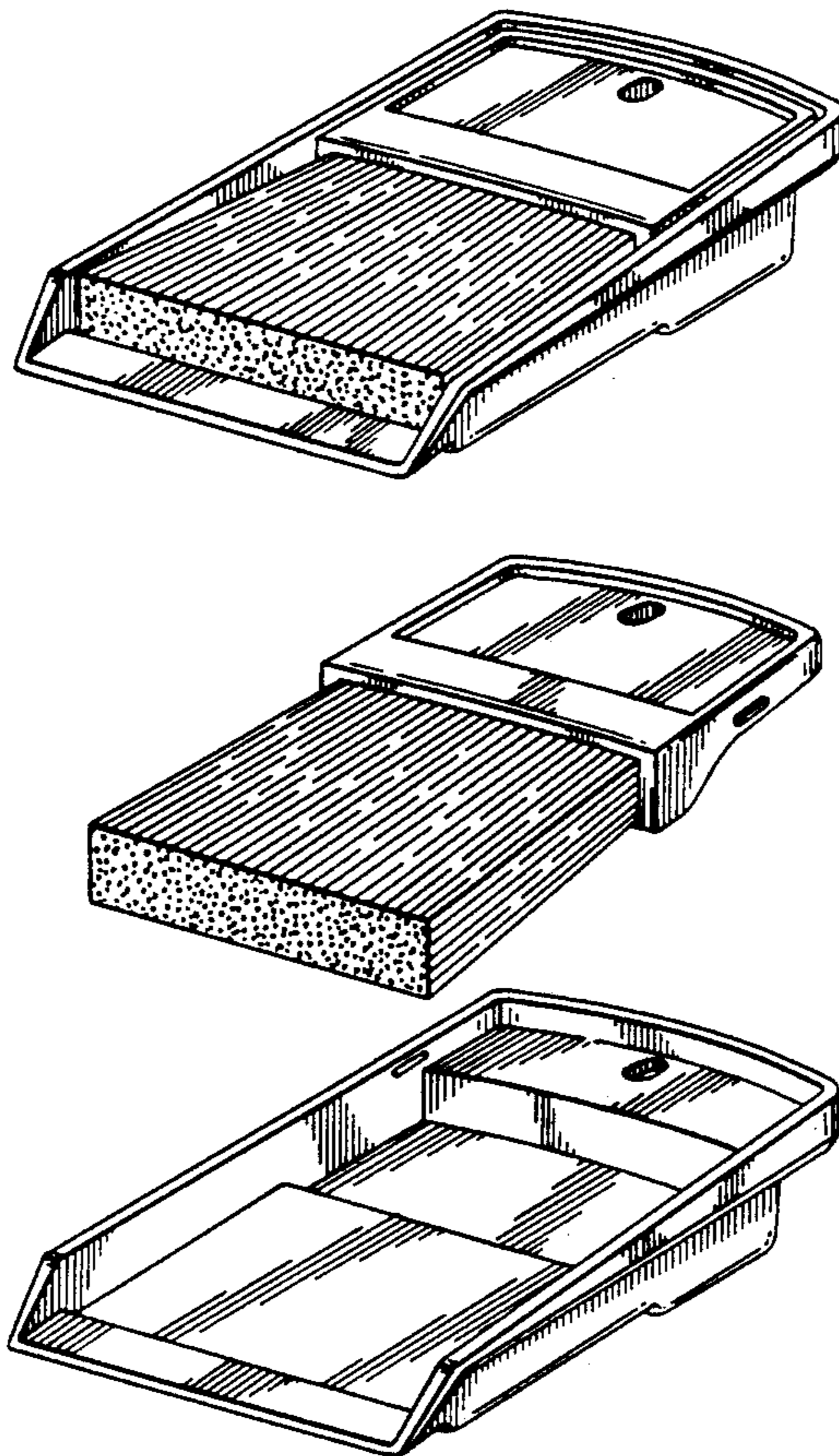
FIG. 3 is a top plan view of FIG. 1;

FIG. 4 is a side elevational view thereof, the opposite side being a mirror image;

FIG. 5 is a bottom plan view thereof;

FIG. 6 is a front elevational view thereof; and

FIG. 7 is a rear elevational view thereof.



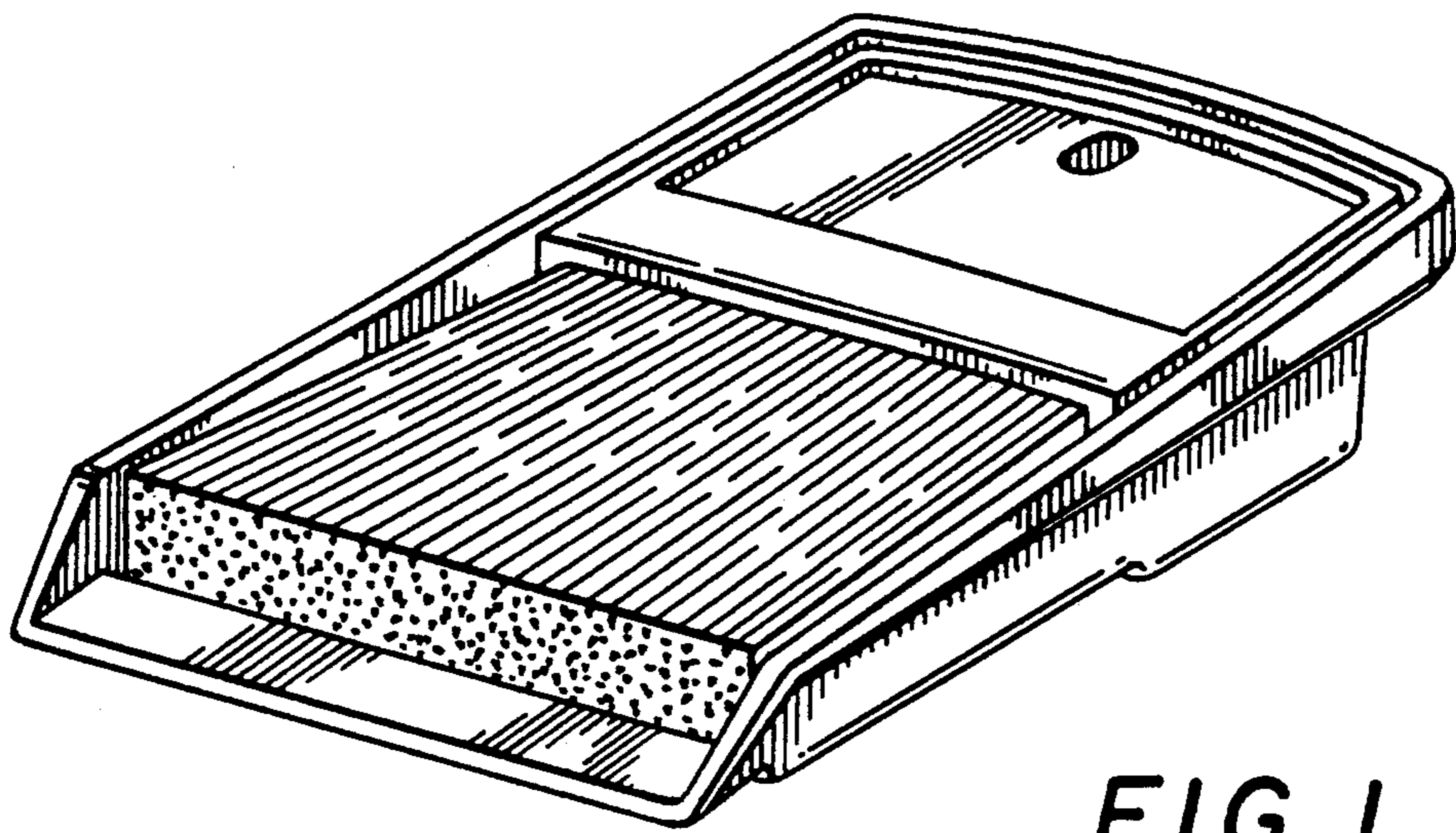


FIG. 1

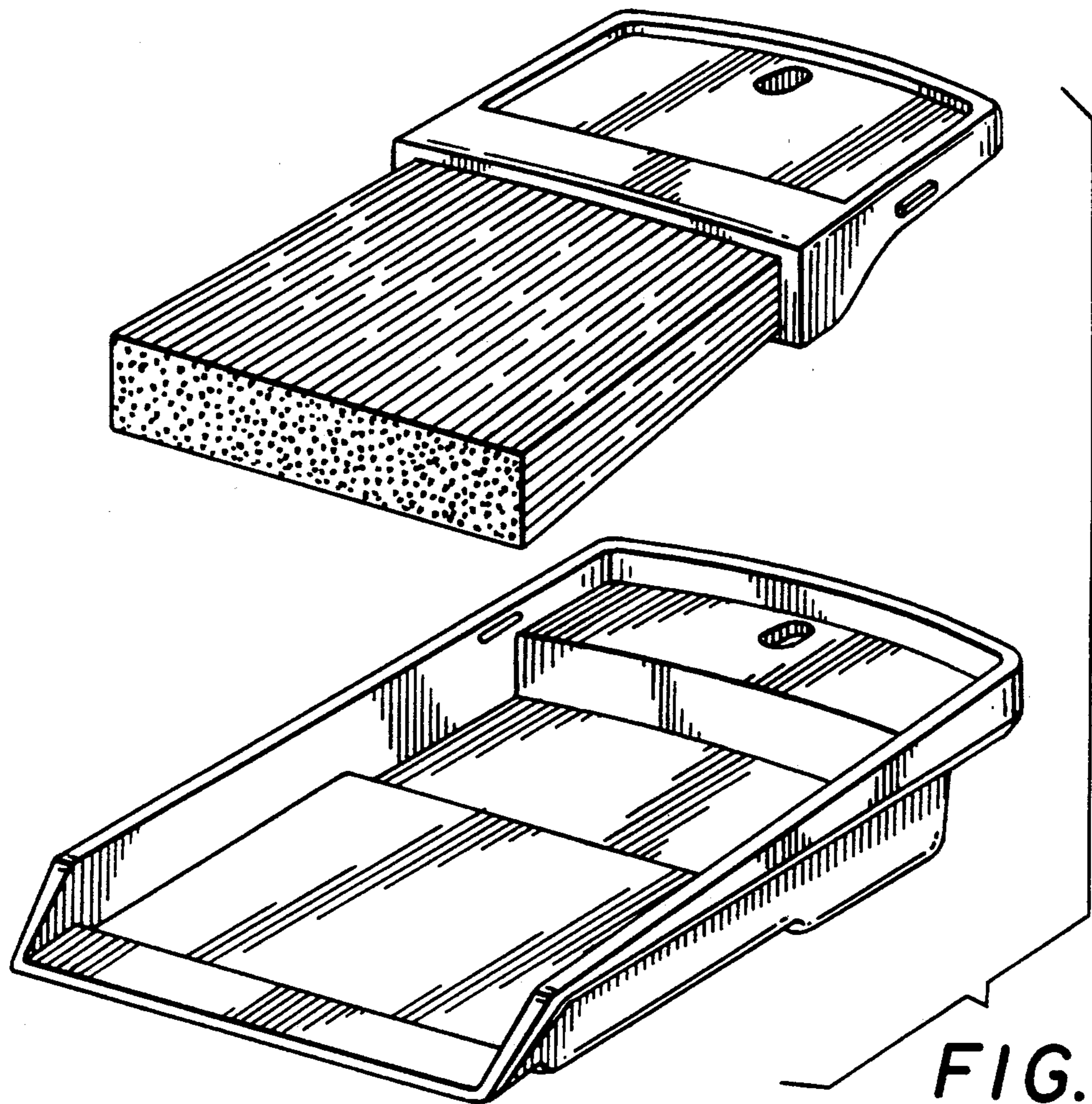
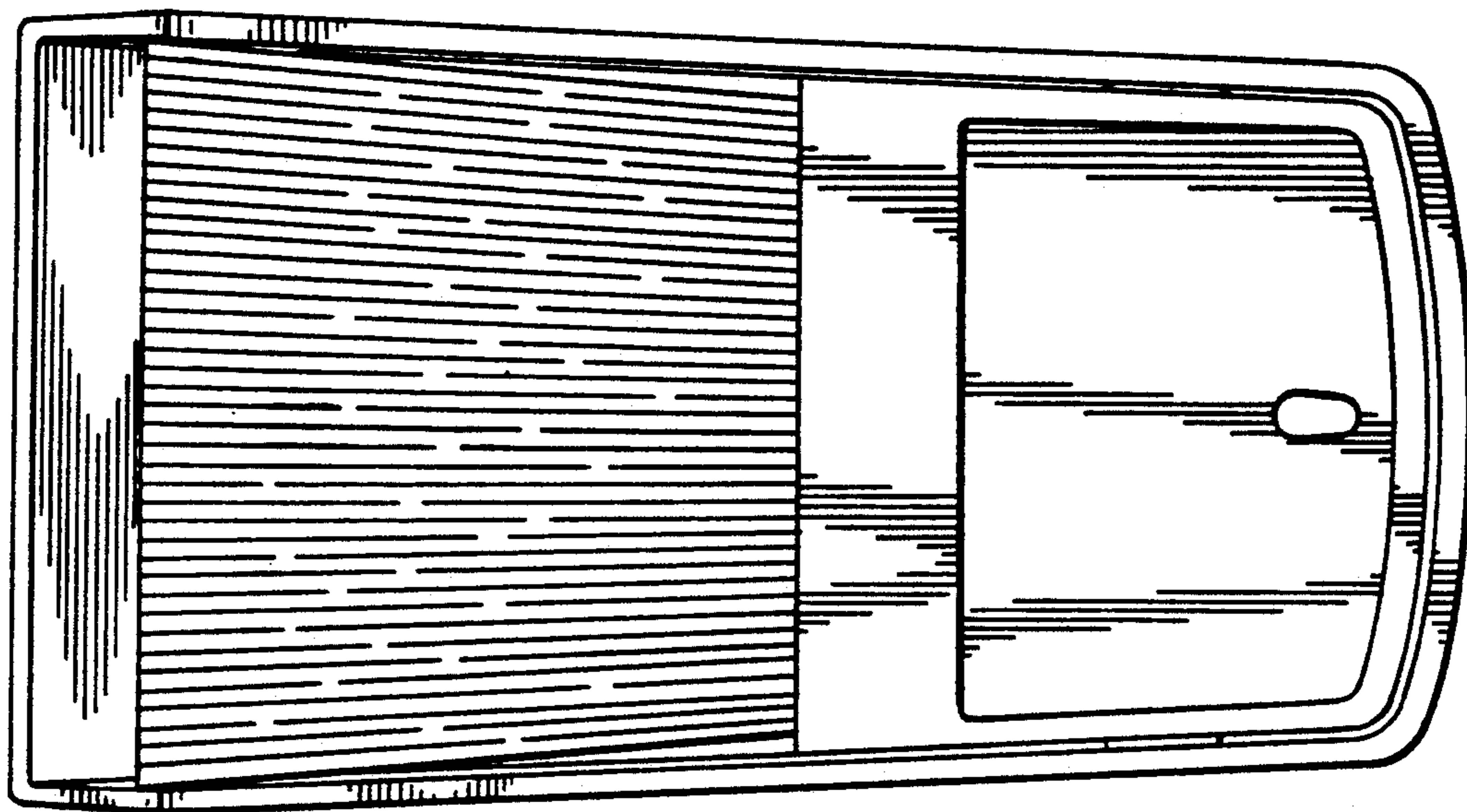
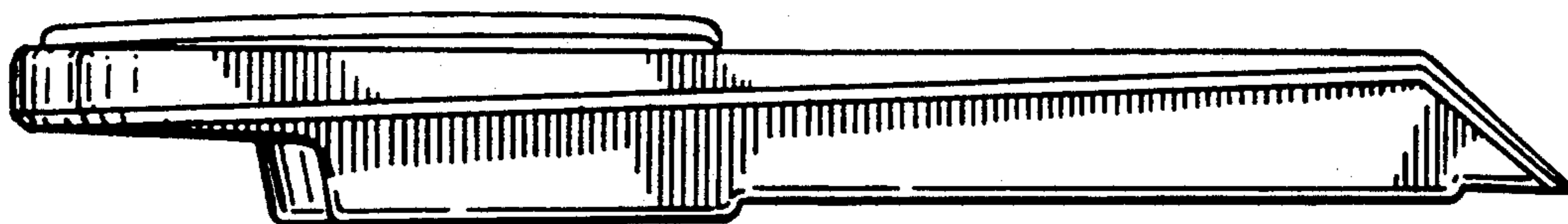


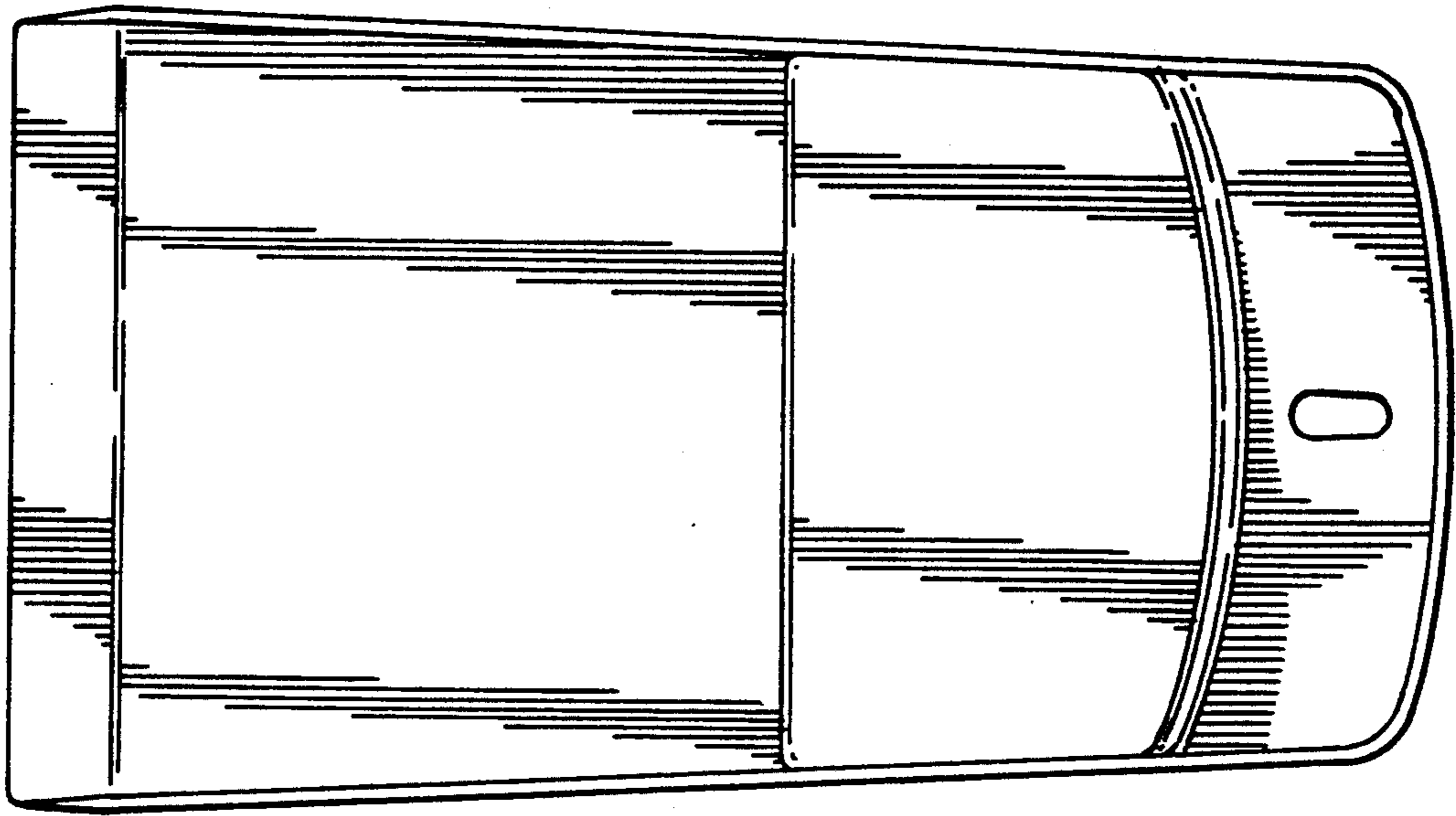
FIG. 2



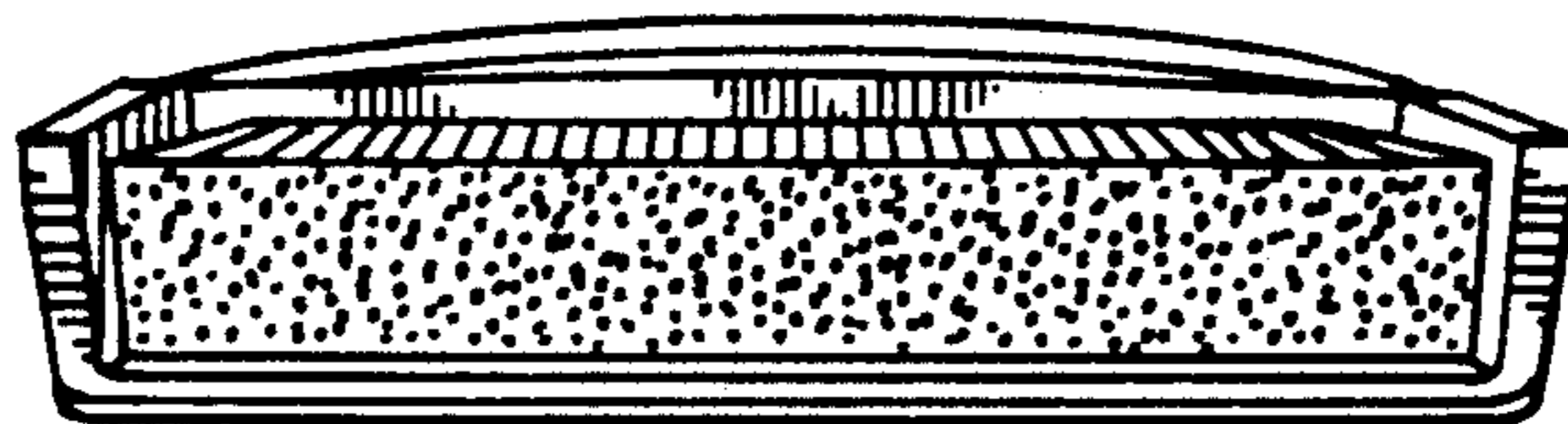
**FIG. 3**



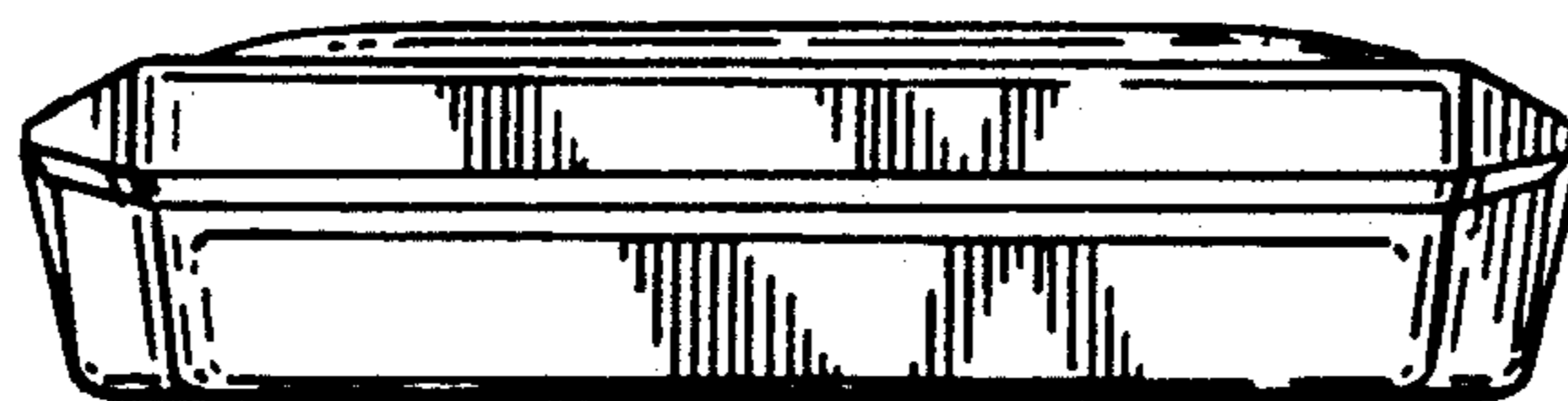
**FIG. 4**



**FIG. 5**



**FIG. 6**



**FIG. 7**