



US00D323935S

United States Patent [19]
Ward

[11] **Patent Number: Des. 323,935**

[45] **Date of Patent: ** Feb. 18, 1992**

[54] **CASE FOR ROUTER POWER TOOL**

[75] **Inventor: William W. Ward, Clayton, N.C.**

[73] **Assignee: Southern Case, Inc., Raleigh, N.C.**

[**] **Term: 14 Years**

[21] **Appl. No.: 373,485**

[22] **Filed: Jun. 30, 1989**

[52] **U.S. Cl. D3/73; D3/30.1**

[58] **Field of Search D3/76, 33, 74, 75, 36,
D3/30.1, 72, 73; 190/115, 119; 206/315.9, 379,
315.1, 349, 372, 373, 538, 533; D9/424;
D14/201**

D. 270,209 8/1983 Garth D3/73
2,693,258 11/1954 Fleisch D3/76 X
3,136,398 6/1964 Platt 206/315.9
3,266,603 8/1966 Anderson et al. 206/315.9
4,371,079 2/1983 Dembicks 206/349

Primary Examiner—Louis S. Zarfaz
Assistant Examiner—M. N. Pandozzi
Attorney, Agent, or Firm—Bell, Seltzer, Park & Gibson

[57] **CLAIM**

The ornamental design for a case for router power tool, as shown and described.

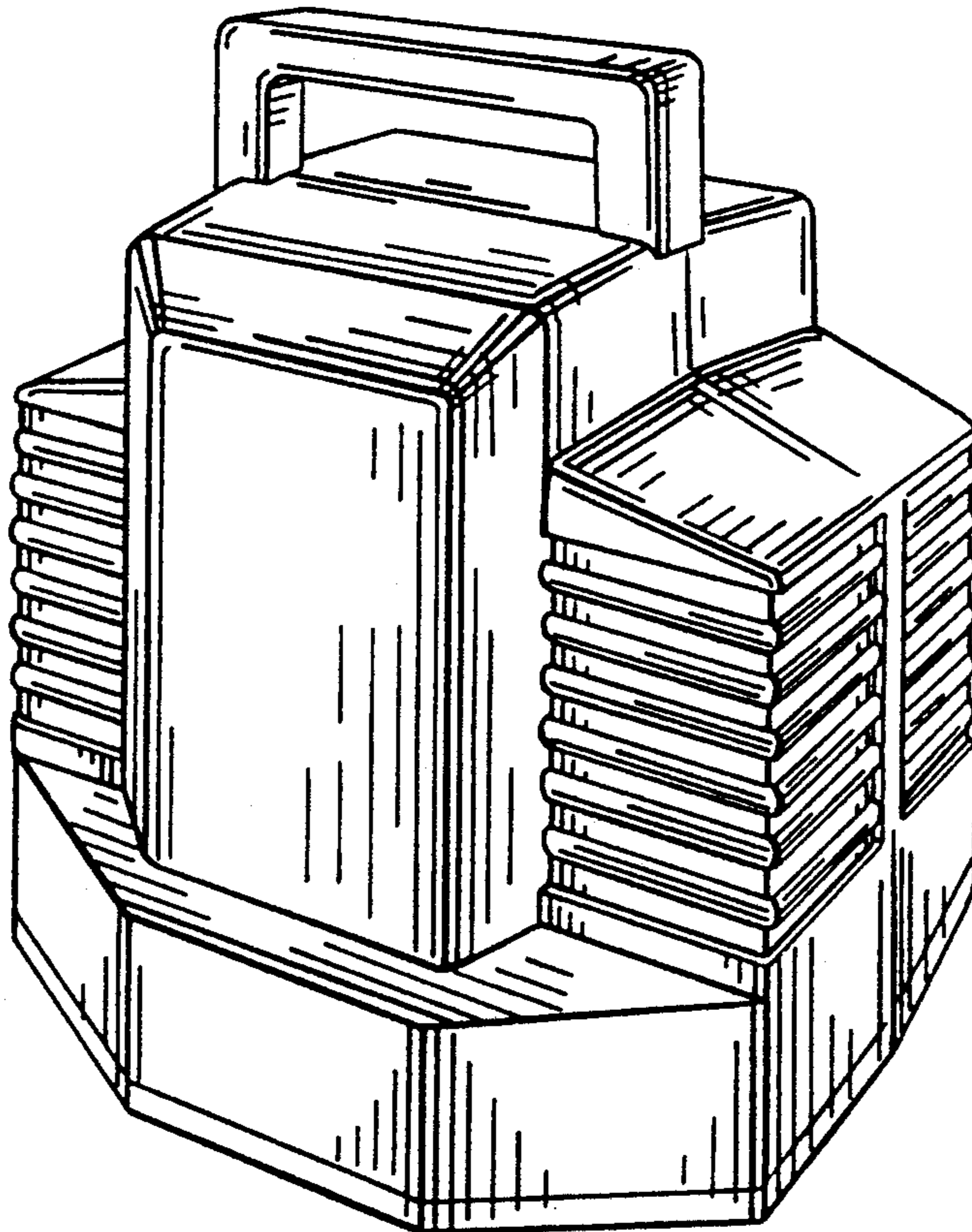
DESCRIPTION

FIG. 1 is a top, front, right perspective view of a case for router power tool showing my new design; FIG. 2 is a front elevational view thereof; FIG. 3 is a left side elevational view thereof; FIG. 4 is a rear elevational view thereof; FIG. 5 is a top plan view thereof; and FIG. 6 is a bottom plan view thereof.

[56] **References Cited**

U.S. PATENT DOCUMENTS

D. 108,941 3/1938 Goldberg D3/33
D. 217,107 4/1970 Cassidy et al. 190/115 X
D. 245,880 9/1977 Malcolm D3/73



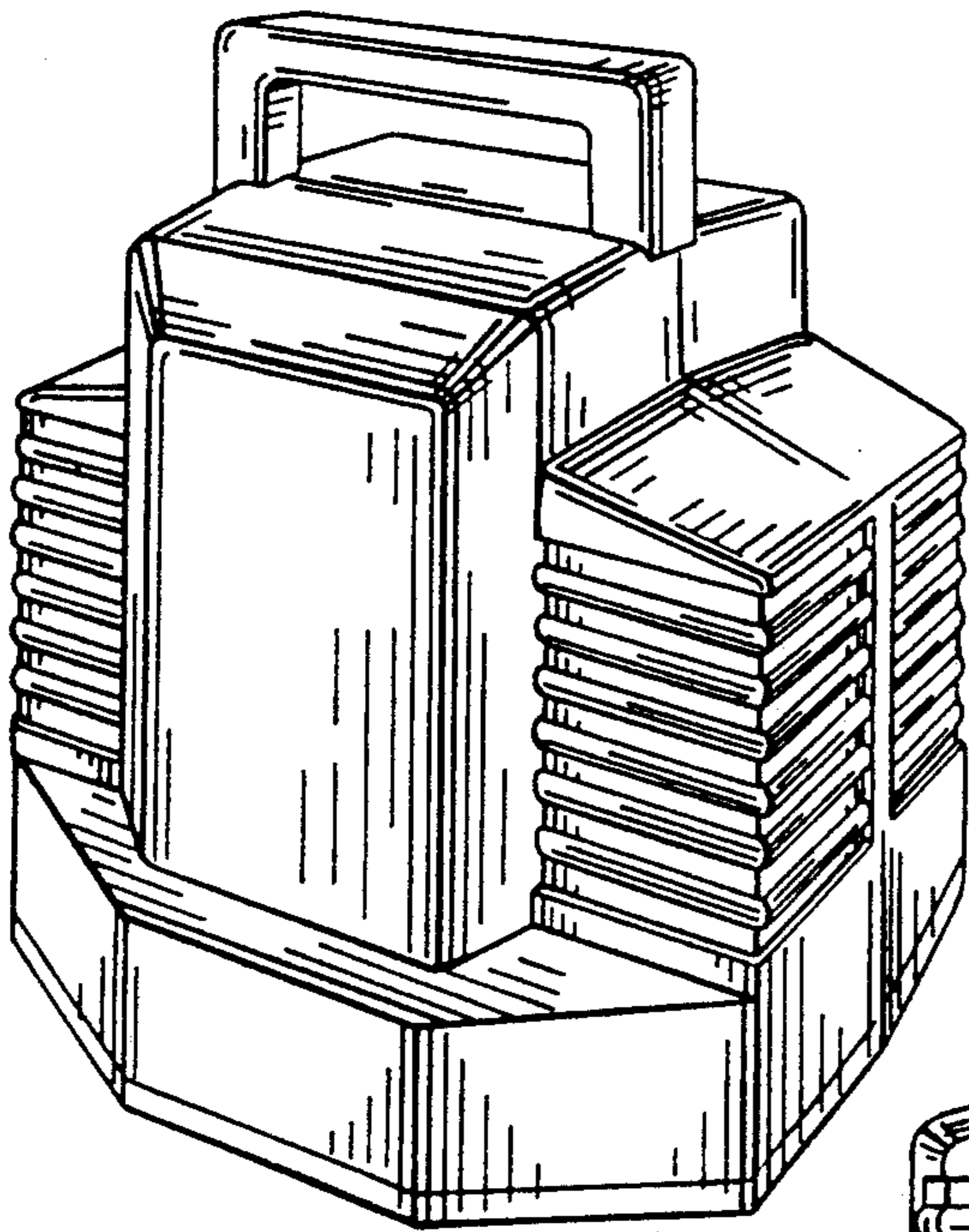


FIG. 1.

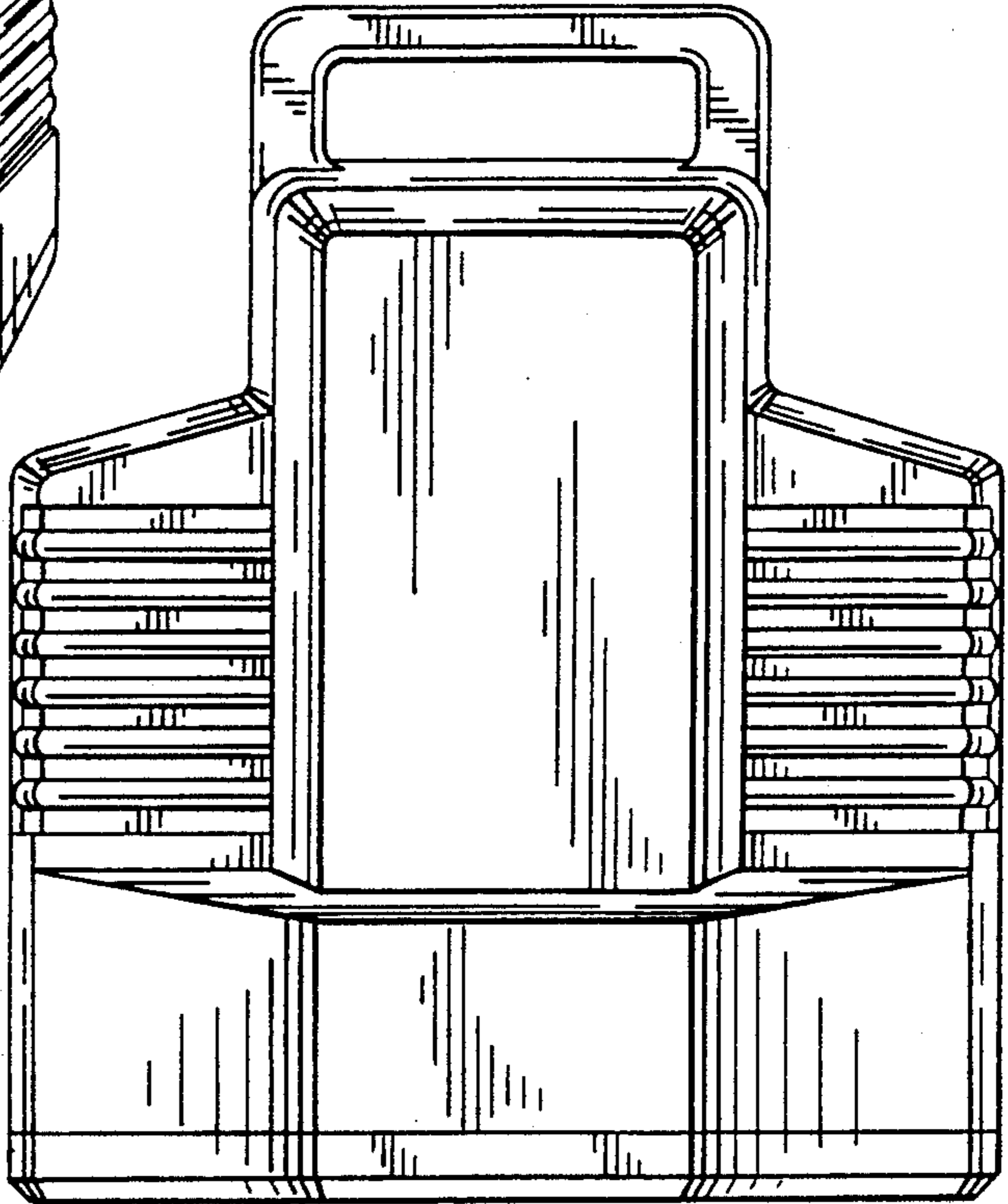


FIG. 2.

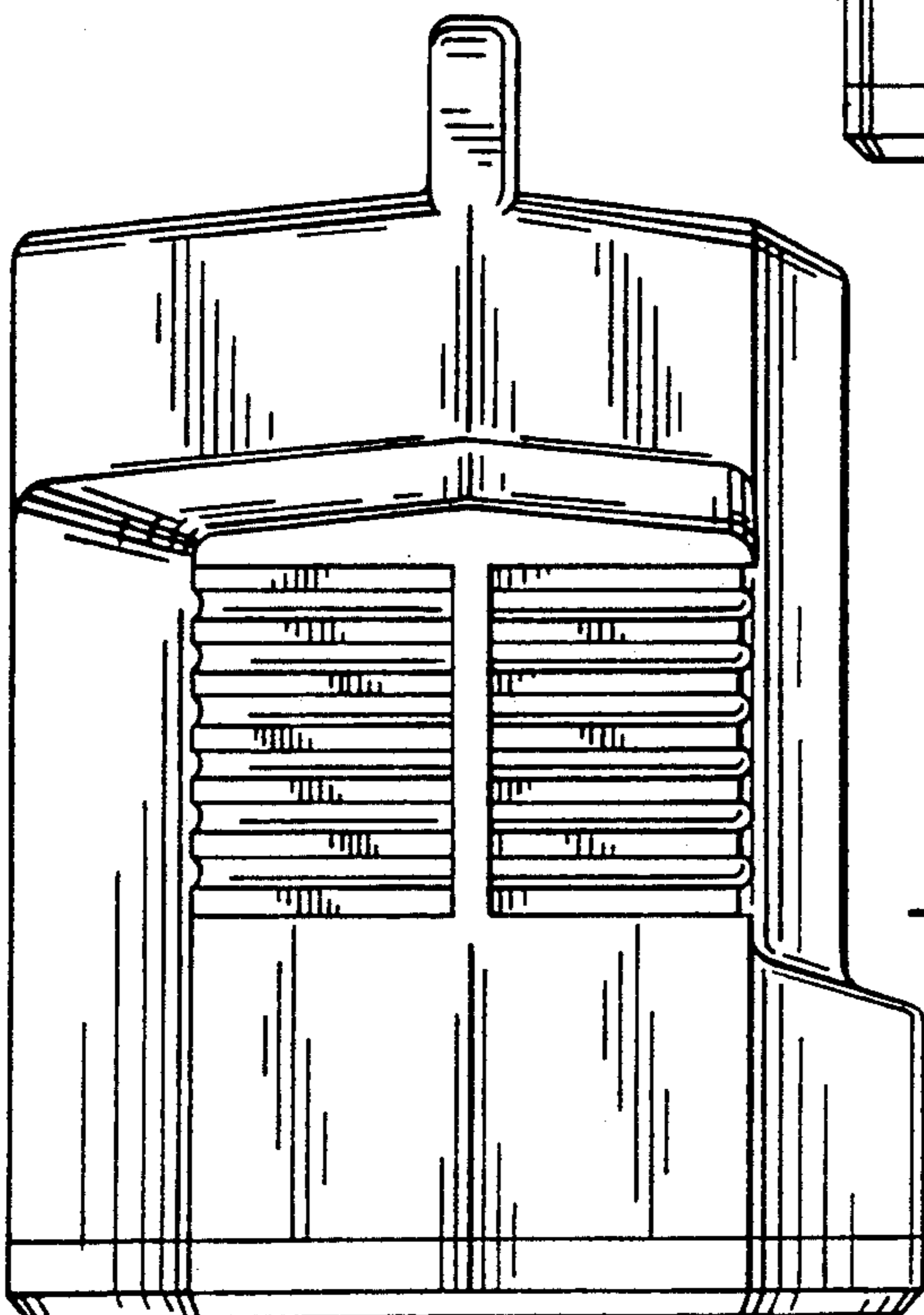


FIG. 3.

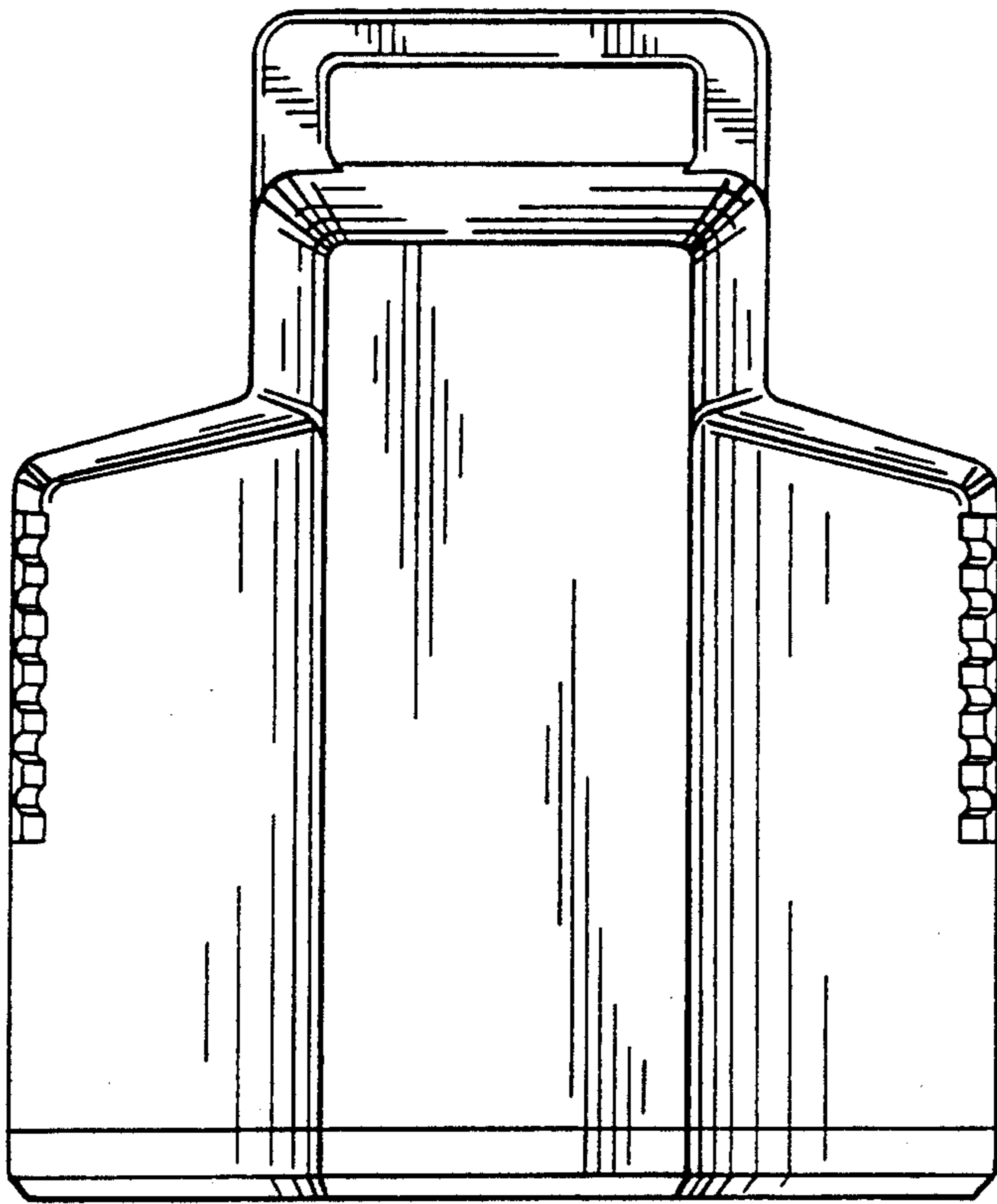


FIG. 4.

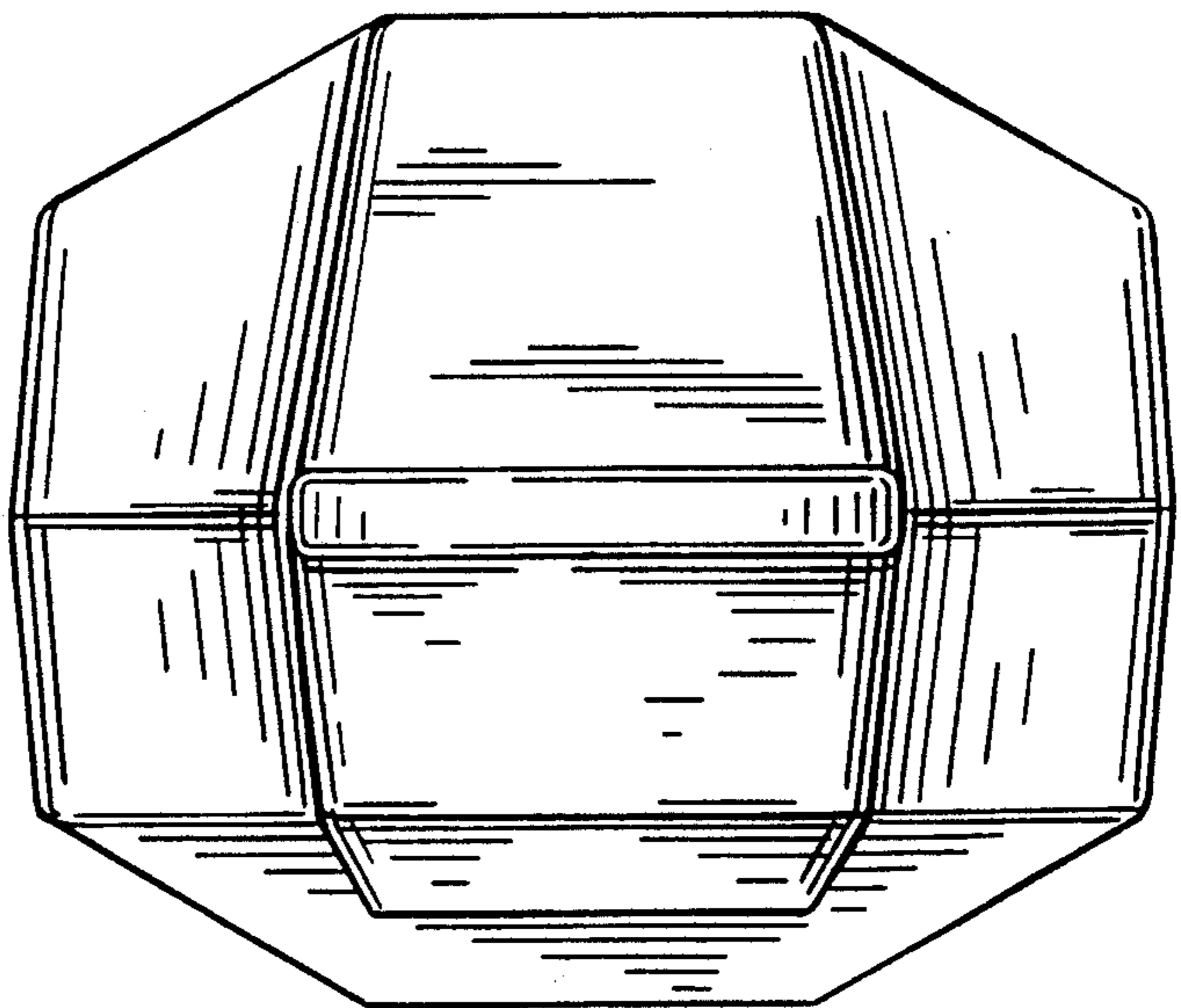


FIG. 5.

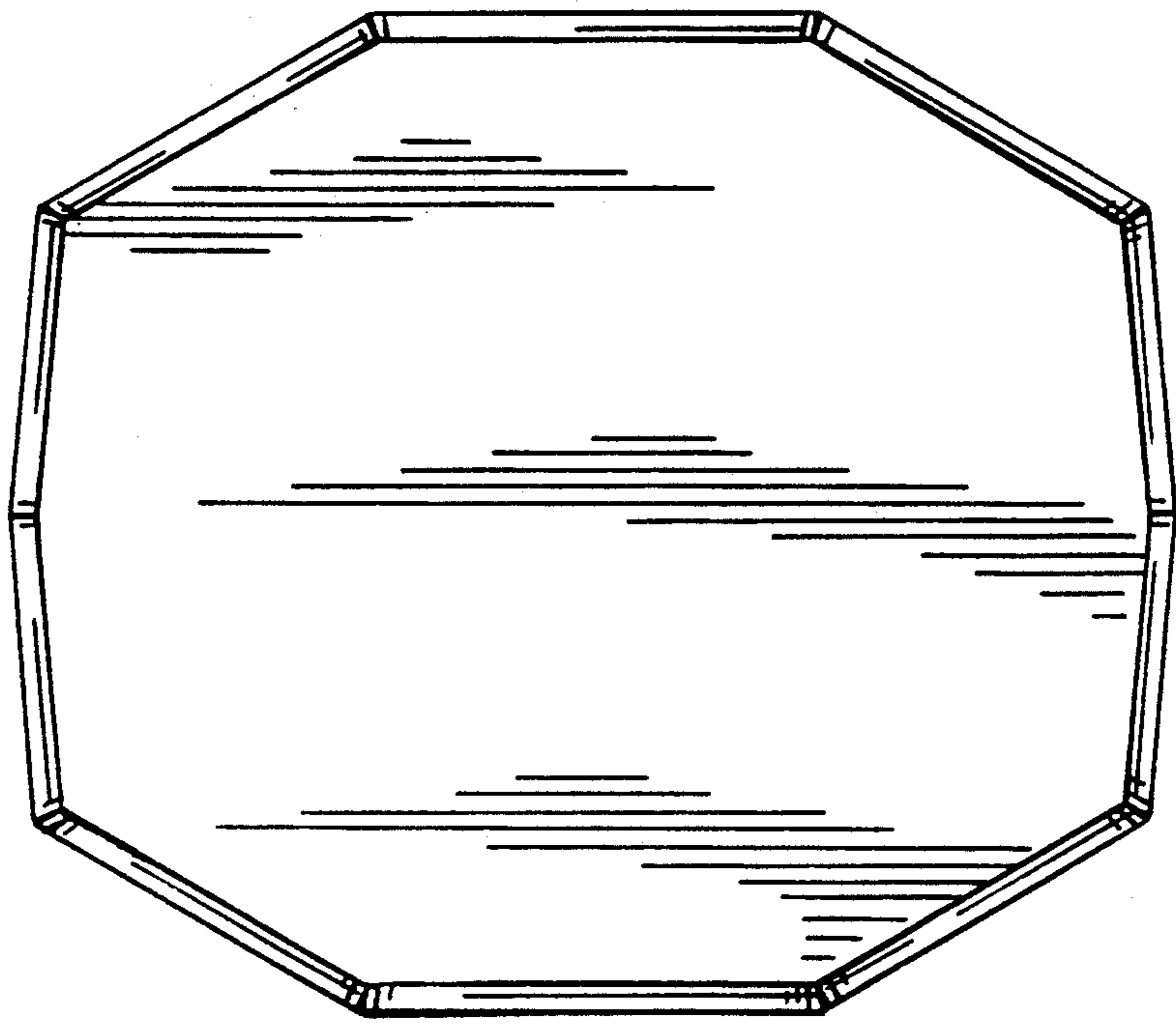


FIG. 6.