



US00D323931S

United States Patent [19]
Haynes

[11] **Patent Number: Des. 323,931**
[45] **Date of Patent: ** Feb. 18, 1992**

[54] **COMPACT DISC FILE**

[56]

References Cited

U.S. PATENT DOCUMENTS

[76] **Inventor: Michael W. Haynes, 855 Old Stratfield Rd., Fairfield, Conn. 06430**

D. 175,997	11/1955	Arellano	D6/407.
D. 218,175	7/1970	Lindley	D6/450
D. 234,325	2/1975	Snyder	D19/76
D. 252,970	9/1979	Gutkin	D6/456
D. 287,441	12/1986	Susoman	D6/456
D. 289,107	4/1987	McAlhany	D3/35

[**] **Term: 14 Years**

FOREIGN PATENT DOCUMENTS

[21] **Appl. No.: 240,117**

0757046 8/1951 Fed. Rep. of Germany 312/10

[22] **Filed: Sep. 2, 1988**

Primary Examiner—A. Hugo Word
Assistant Examiner—Celia A. Murphy
Attorney, Agent, or Firm—Leon Gilden

[52] **U.S. Cl. D3/35; D6/456; D6/470**

[57] **CLAIM**

[58] **Field of Search** D3/30.1, 34, 35, 42-44, D3/45, 50, 52, 53, 56, 58, 59, 61, 66, 71, 73, 74, 76-79, 99, 100, 105, 106; D6/407, 432, 440, 450, 456, 466-468, 470; D9/303, 308, 311, 315, 318, 326, 330, 331, 337, 341, 352, 373-377, 403, 418, 432, 446; D11/141; D14/11; D19/26, 86, 75, 76; D21/62, 63, 87, 101, 159, 160; D24/29, 47, 56; D34/40, 44, 46; 190/100, 101; 206/5, 5 R, 214, 217, 309-313, 370, 373-375, 387, 425, 444, 450, 571; 211/40, 42, 50; 215/11.1, 11.6; 220/8, 22, 23.2, 23-26, 85 D, 310, 375, 507; 224/94 R, 148, 227; 312/10, 13, 14; 422/181, 300; 434/317

The ornamental design for a compact disc file, as shown and described.

DESCRIPTION

FIG. 1 is a front elevational view of a compact disc file showing my new design;
FIG. 2 is a rear elevational view thereof;
FIG. 3 is a left side elevational view thereof;
FIG. 4 is a right side elevational view thereof;
FIG. 5 is a top plan view thereof;
FIG. 6 is a bottom plan view thereof; and
FIG. 7 is a perspective view thereof.

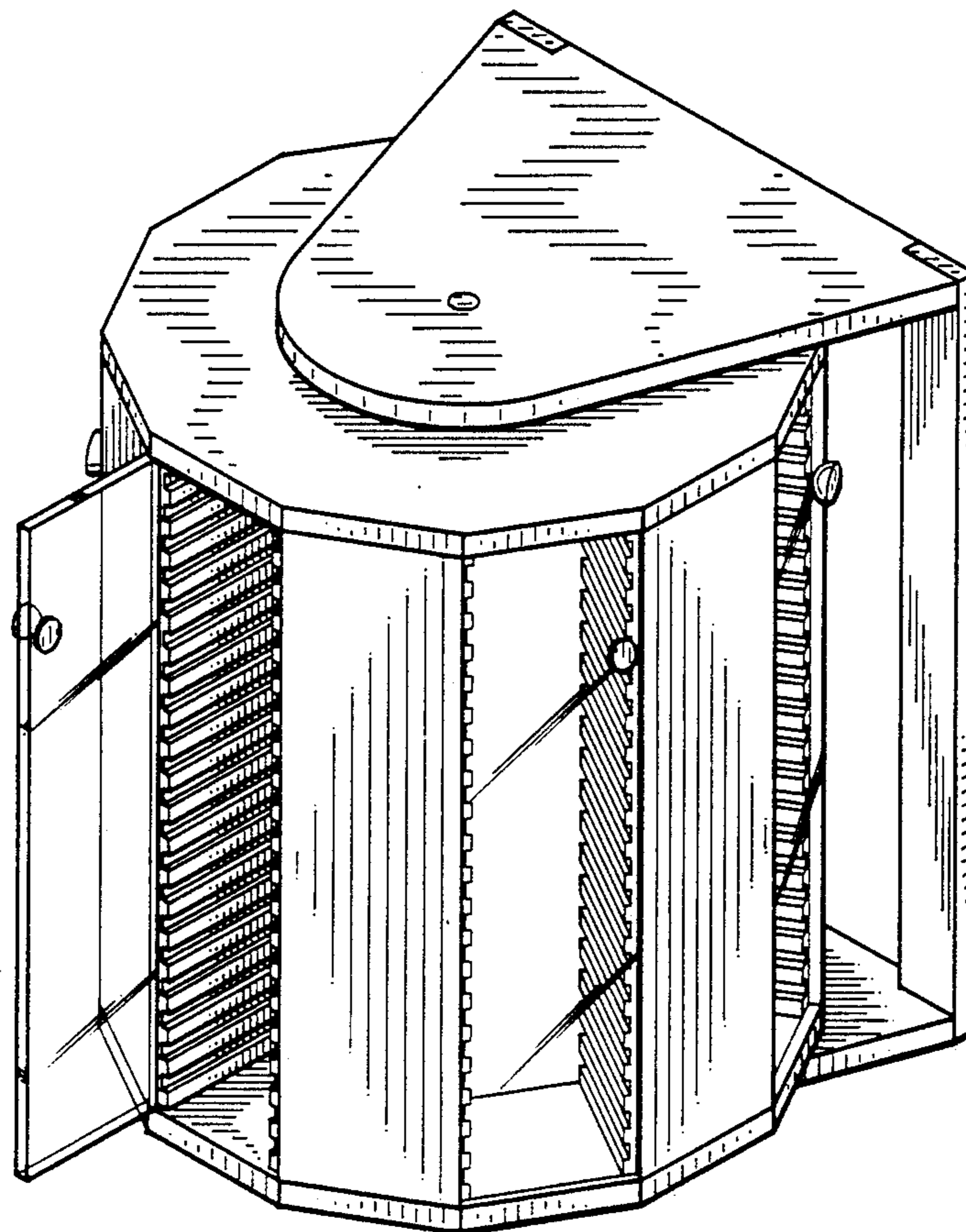


Fig. 1

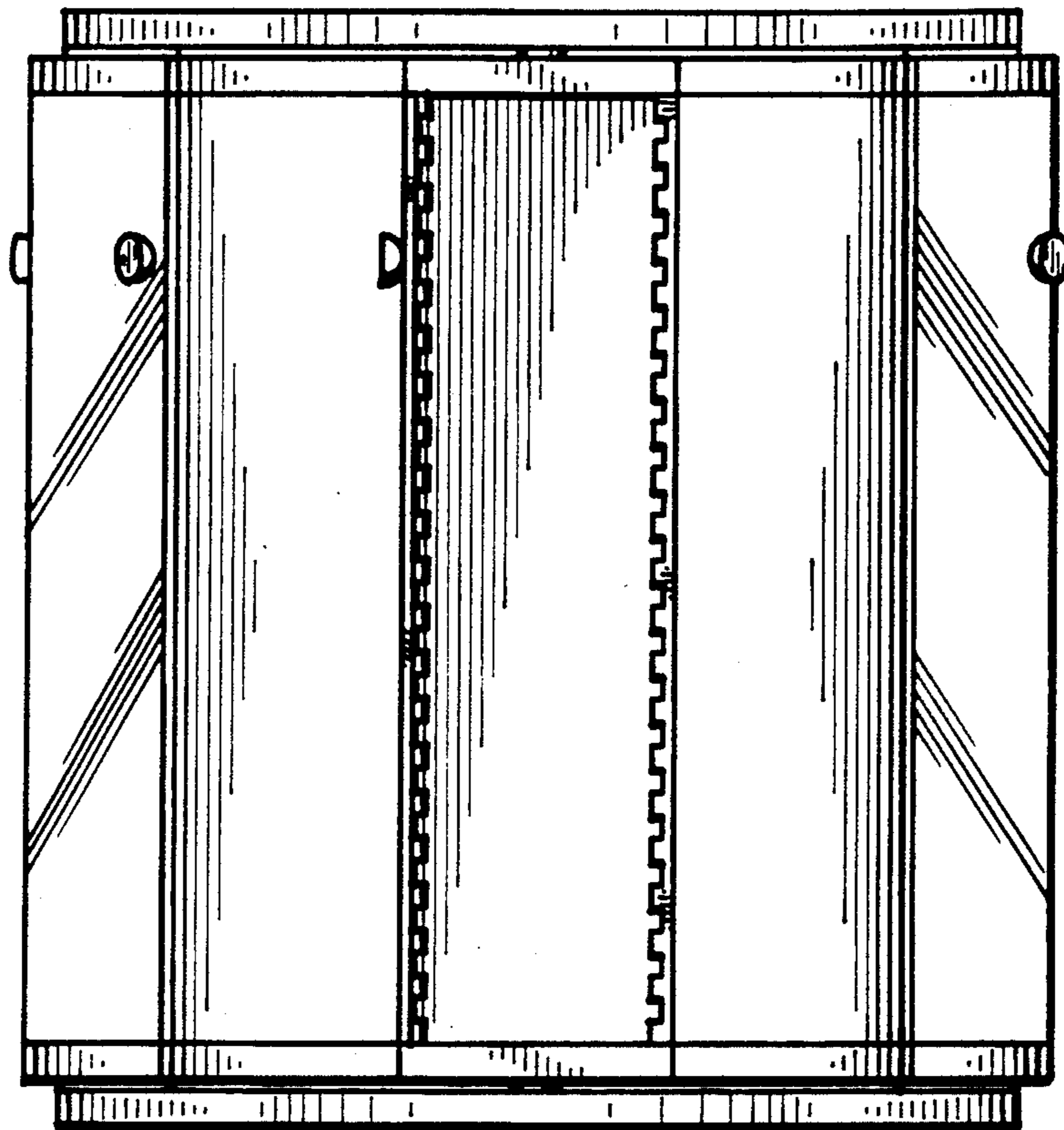


Fig. 2

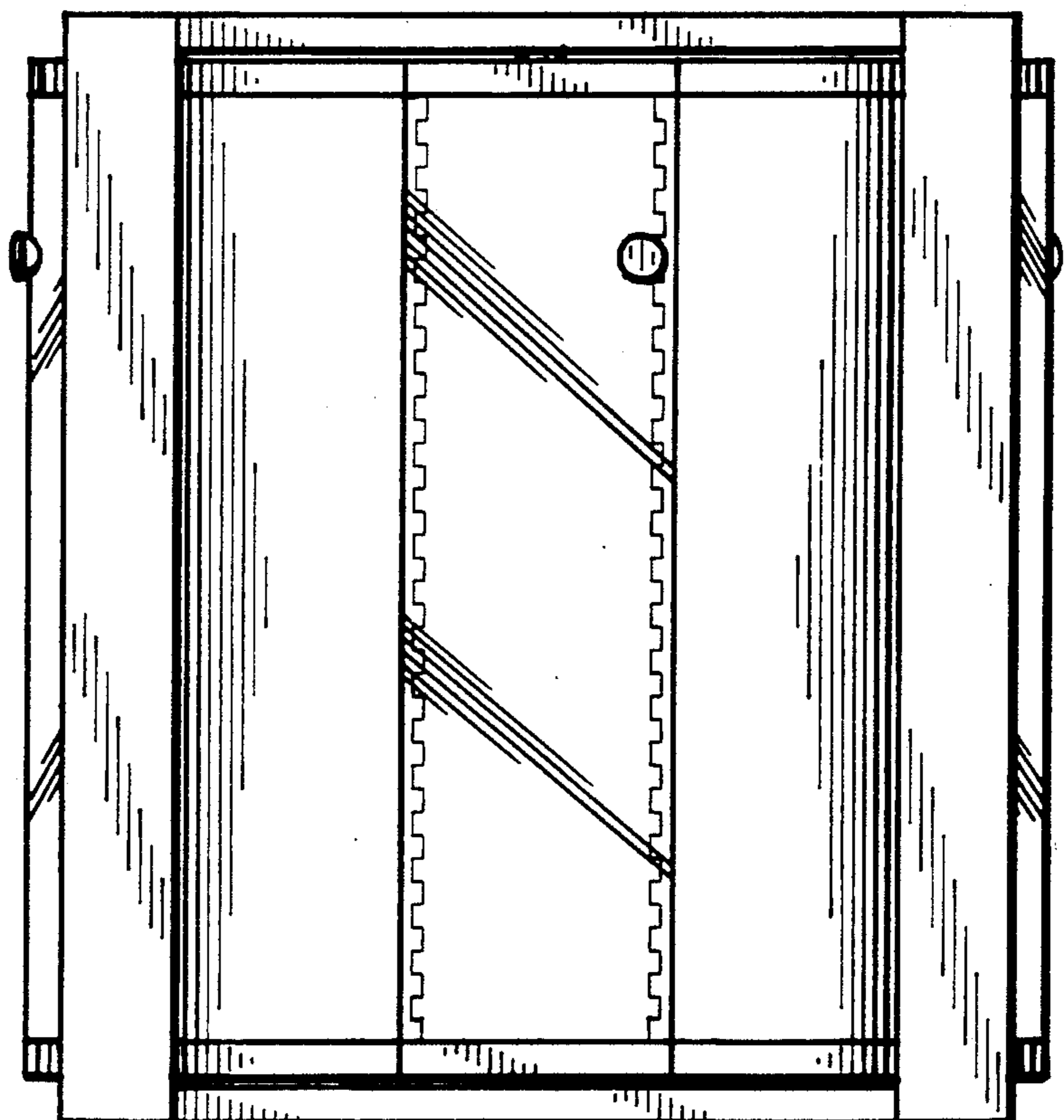


Fig. 3

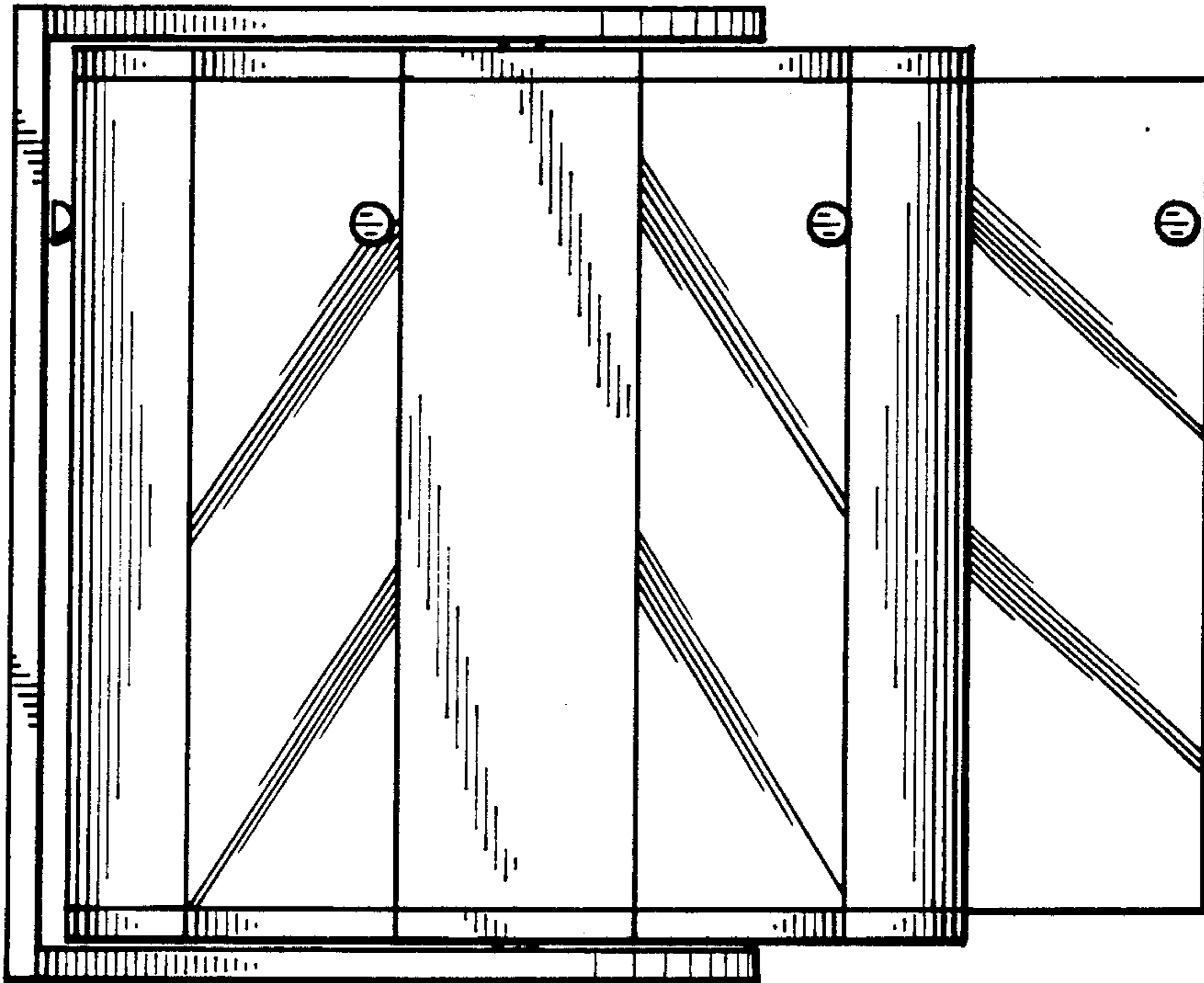
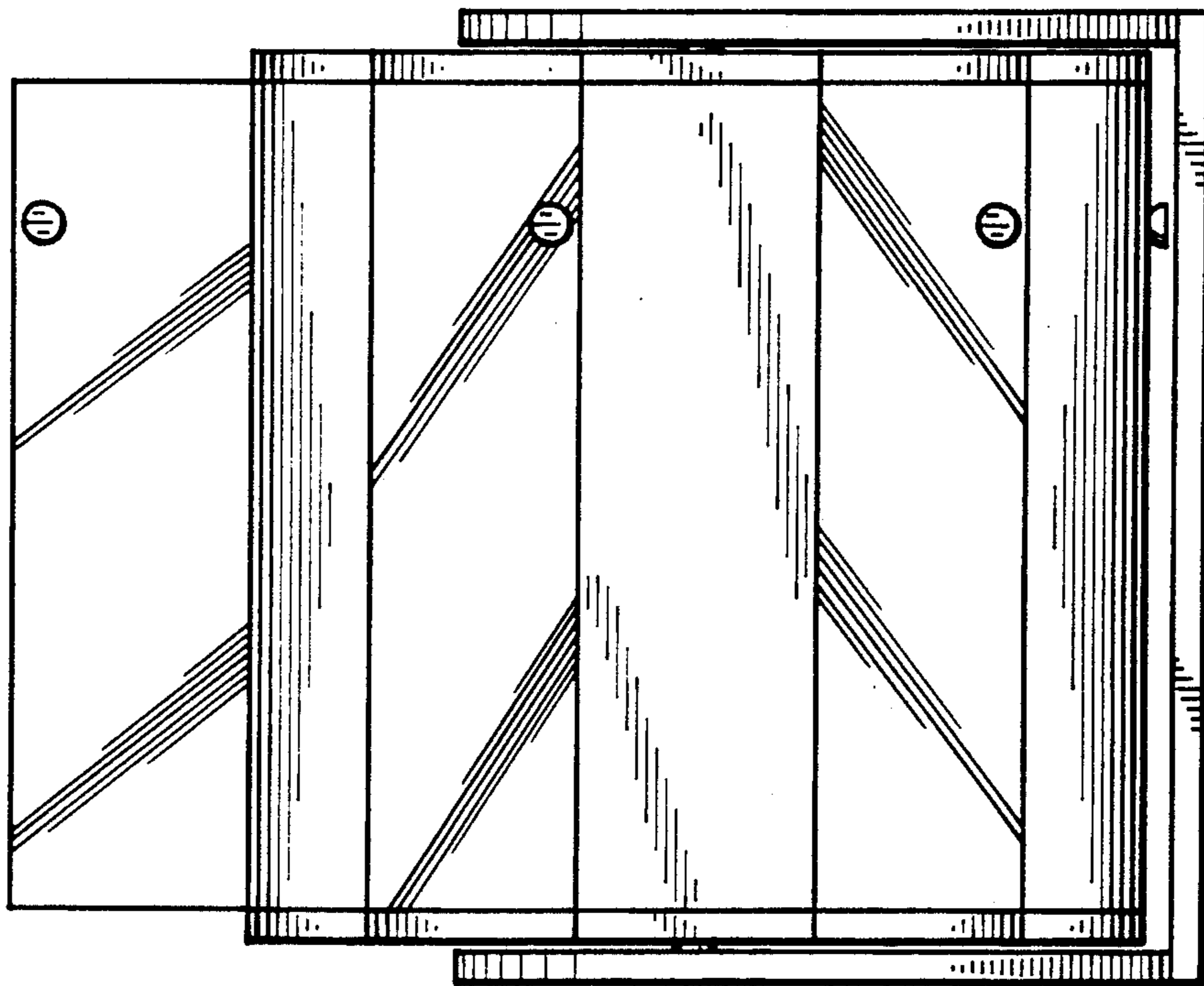
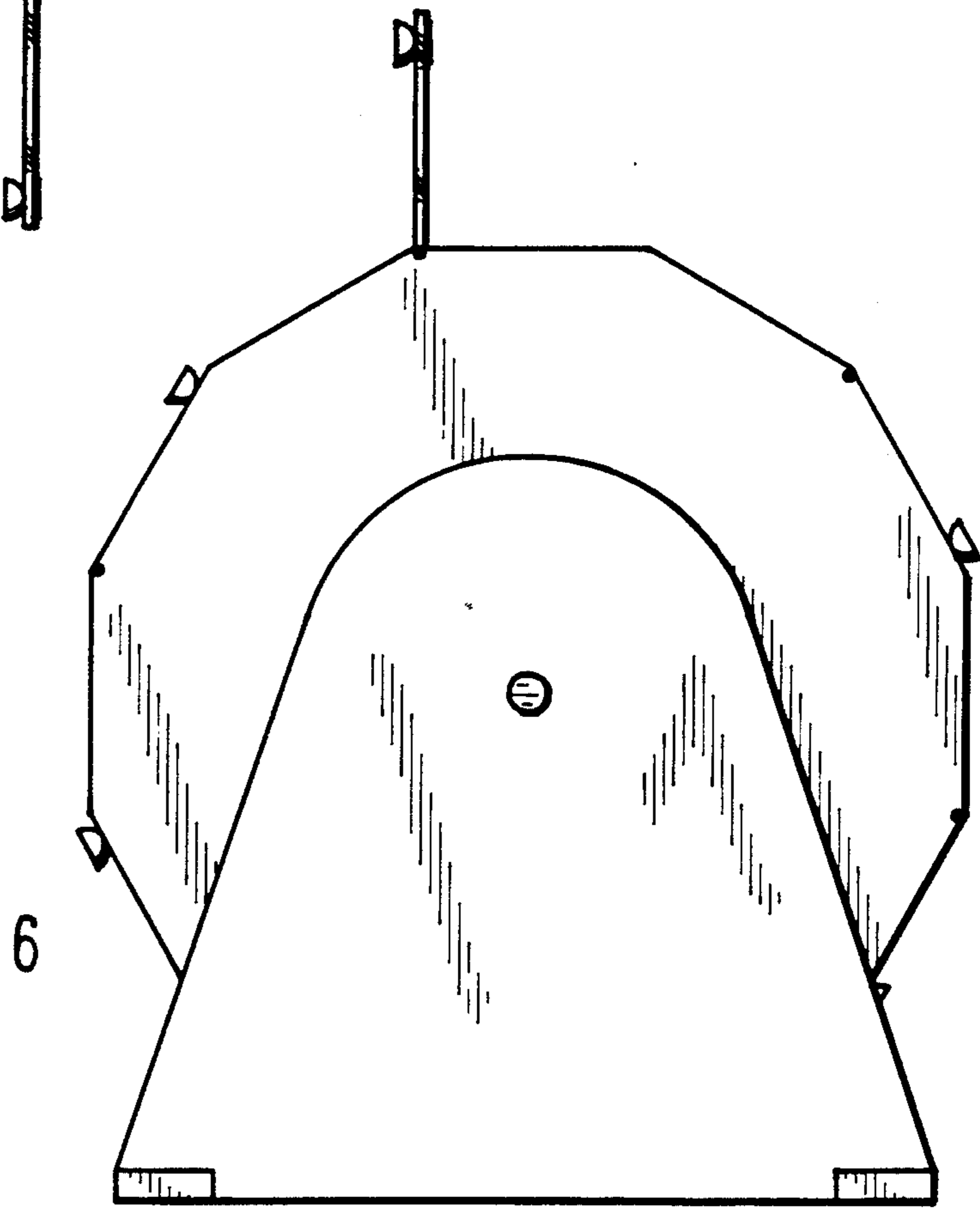
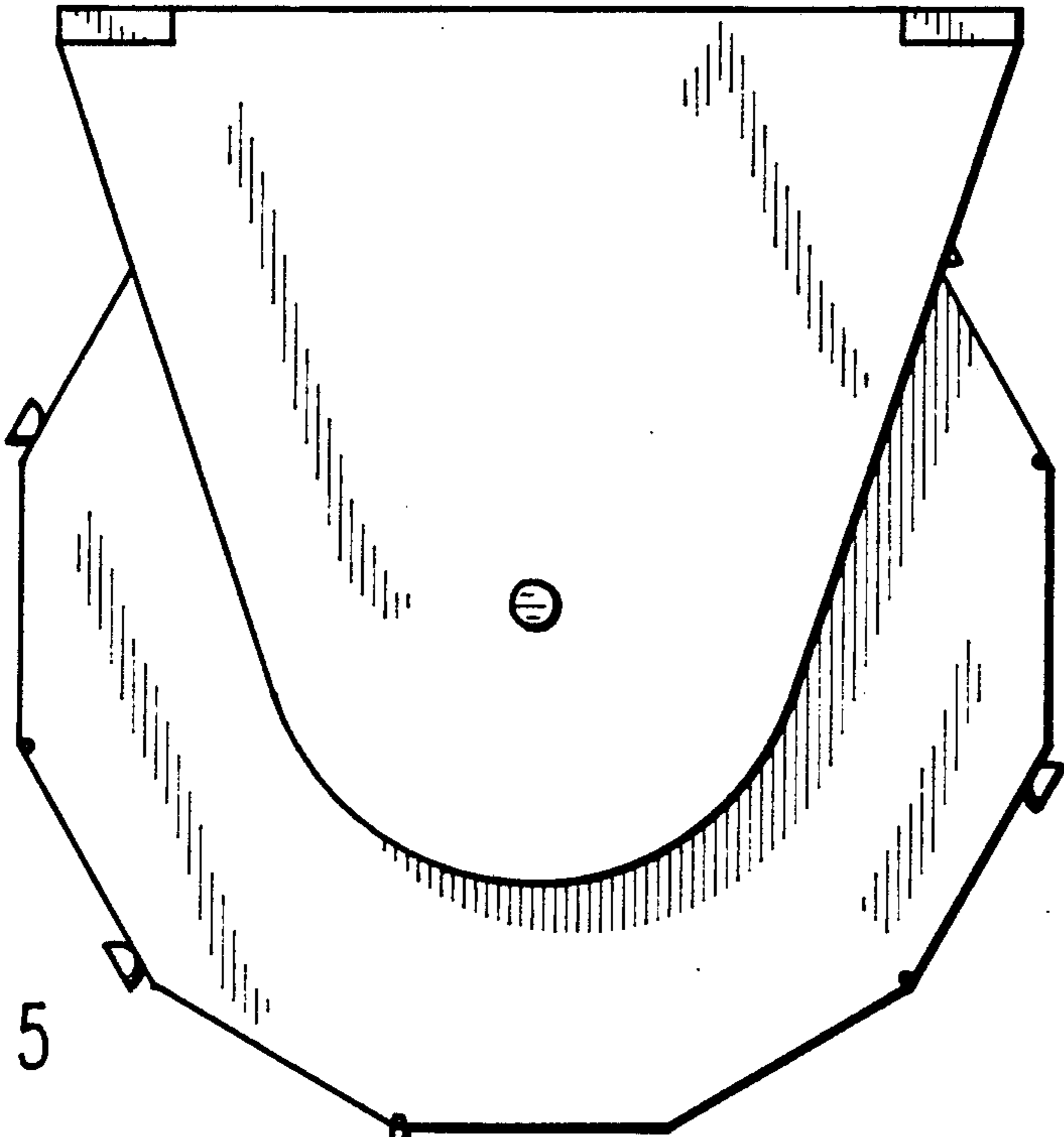


Fig. 4





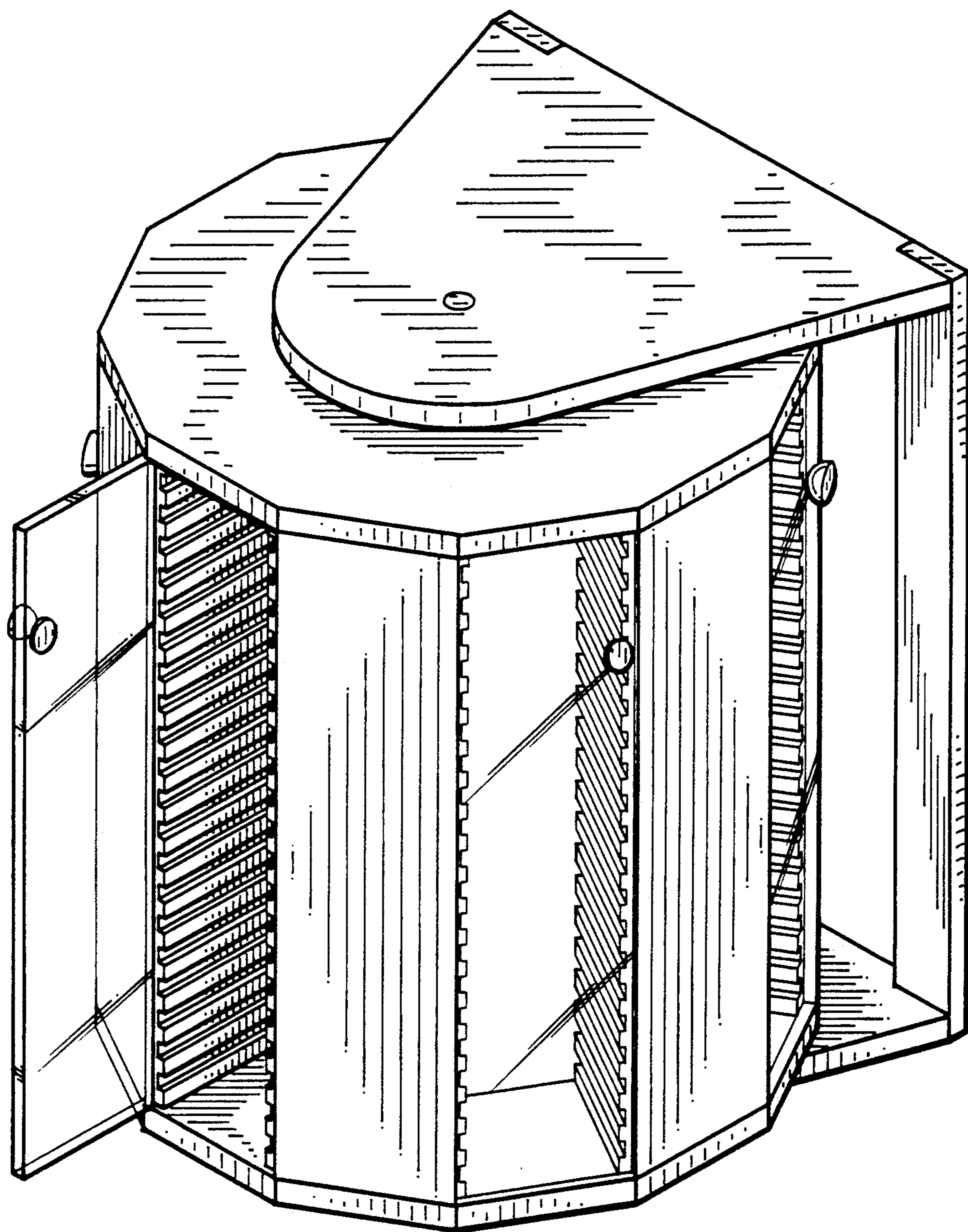


Fig. 7