



US00D323927S

United States Patent [19]

[11] Patent Number: **Des. 323,927**

Rogers

[45] Date of Patent: **** Feb. 18, 1992**

[54] OUTSOLE BOTTOM

[75] Inventor: **Bruce E. Rogers, Portland, Oreg.**

[73] Assignees: **Nike, Inc.; Nike International Ltd., both of Beaverton, Oreg.**

[**] Term: **14 Years**

[21] Appl. No.: **558,414**

[22] Filed: **Jul. 27, 1990**

[52] U.S. Cl. **D2/320**

[58] Field of Search **D2/264, 265, 274, 308-314, D2/317-321; 36/25 R, 28, 29, 30 R, 32 R, 43, 59 R, 59 C, 102-106, 112-116, 132, 136**

[56] References Cited

U.S. PATENT DOCUMENTS

D. 266,286	9/1982	Vermonet	D2/309
D. 281,370	11/1985	Peel	D2/319
D. 292,242	10/1987	Kelley	.	
D. 296,149	6/1988	Diaz	D2/320
D. 297,682	9/1988	Le	.	
D. 299,681	2/1989	Miller et al.	D2/320
D. 301,658	6/1989	Hase	D2/320
D. 304,259	10/1989	Nakano	D2/320
D. 308,592	6/1990	Kayano	D2/320
D. 311,447	10/1990	Hatfield	D2/320
D. 311,990	11/1990	Hatfield	D2/320
D. 313,114	12/1990	Avem	D2/320
D. 315,442	3/1991	Kilgore et al.	D2/320
D. 315,635	3/1991	Hatfield et al.	D2/320
4,130,947	12/1978	Denu	36/30 R

OTHER PUBLICATIONS

- Nike Fall 1989 Footwear Catalog, pp. 22, 28 and 126.
- Nike Spring 1990 Footwear Catalog, pp. 24, 30 and 32.
- Nike Fall Catalog 1988, 46.
- Nike Footwear Fall Catalog 1989, pp. 24, 26, 40, 56, 58, 60 and 62.
- Nike Footwear Spring 1990 Catalog, pp. 10, 22, 26, 28 and 34.
- Nike Footwear Fall 1990 Catalog, pp. 22, 28, 30, 34, 66 and 138.

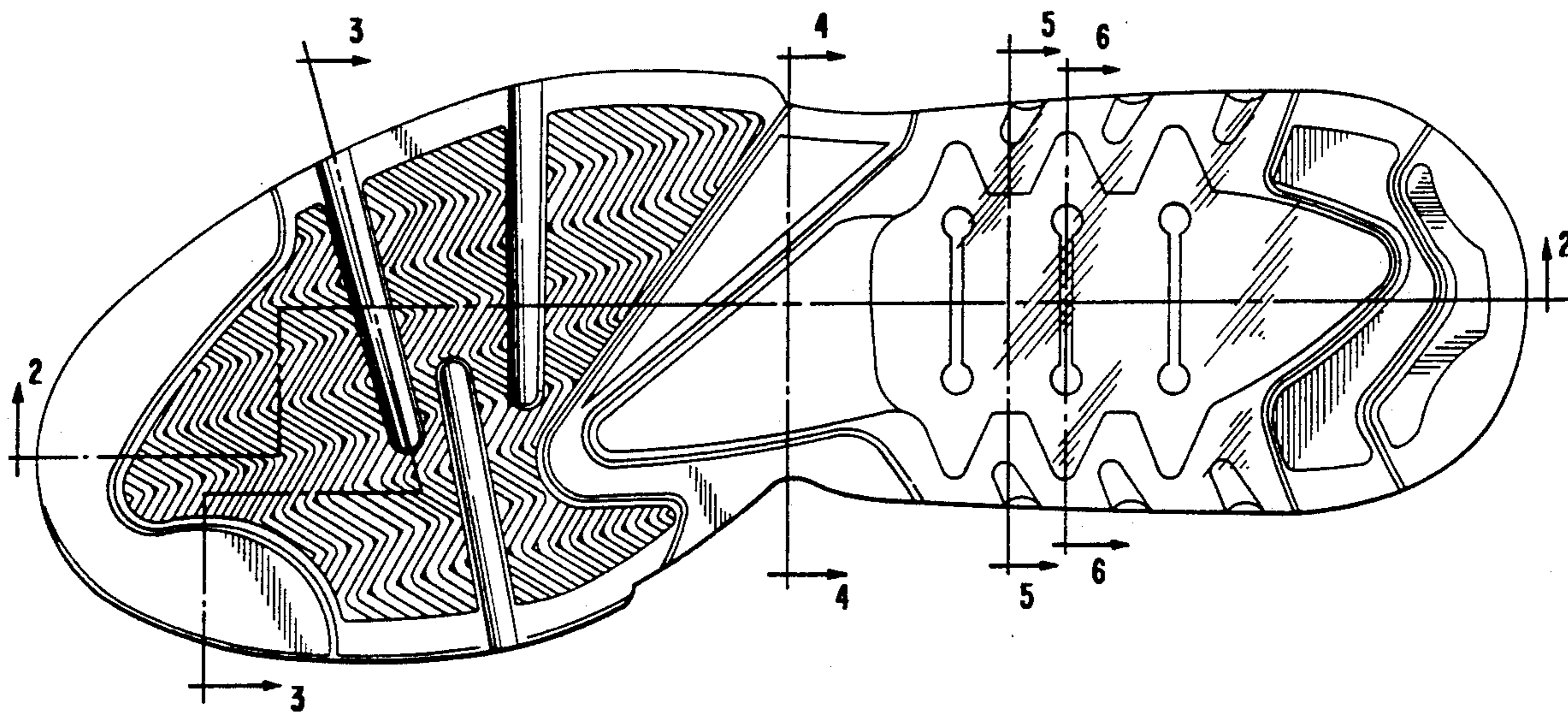
Primary Examiner—Louis S. Zarfes
Attorney, Agent, or Firm—Banner, Birch, McKie & Beckett

[57] CLAIM

The ornamental design for an outsole bottom, as shown and described.

DESCRIPTION

FIG. 1 is a bottom plan view of an outsole bottom showing my new design;
 FIG. 2 is a cross sectional view of the sole as shown in section 2—2 of FIG. 1;
 FIG. 3 is a cross sectional view of the sole as shown in section 3—3 of FIG. 1;
 FIG. 4 is a cross sectional view of the sole as shown in section 4—4 of FIG. 1;
 FIG. 5 is a cross sectional view of the sole as shown in section 5—5 in FIG. 1;
 FIG. 6 is a cross-sectional view of the sole as shown in section 6—6 of FIG. 1;
 The broken line showing of sole periphery in FIG. 2 is for illustrative purposes only and forms no part of the claimed design.



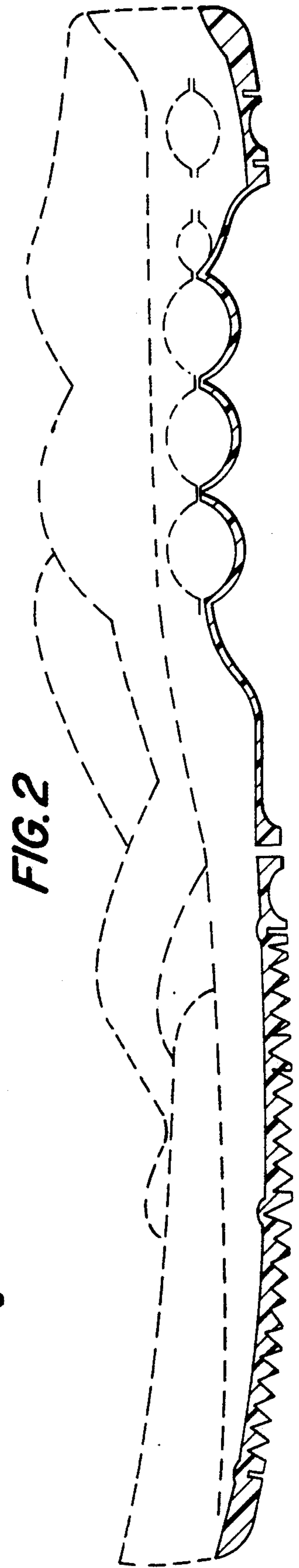
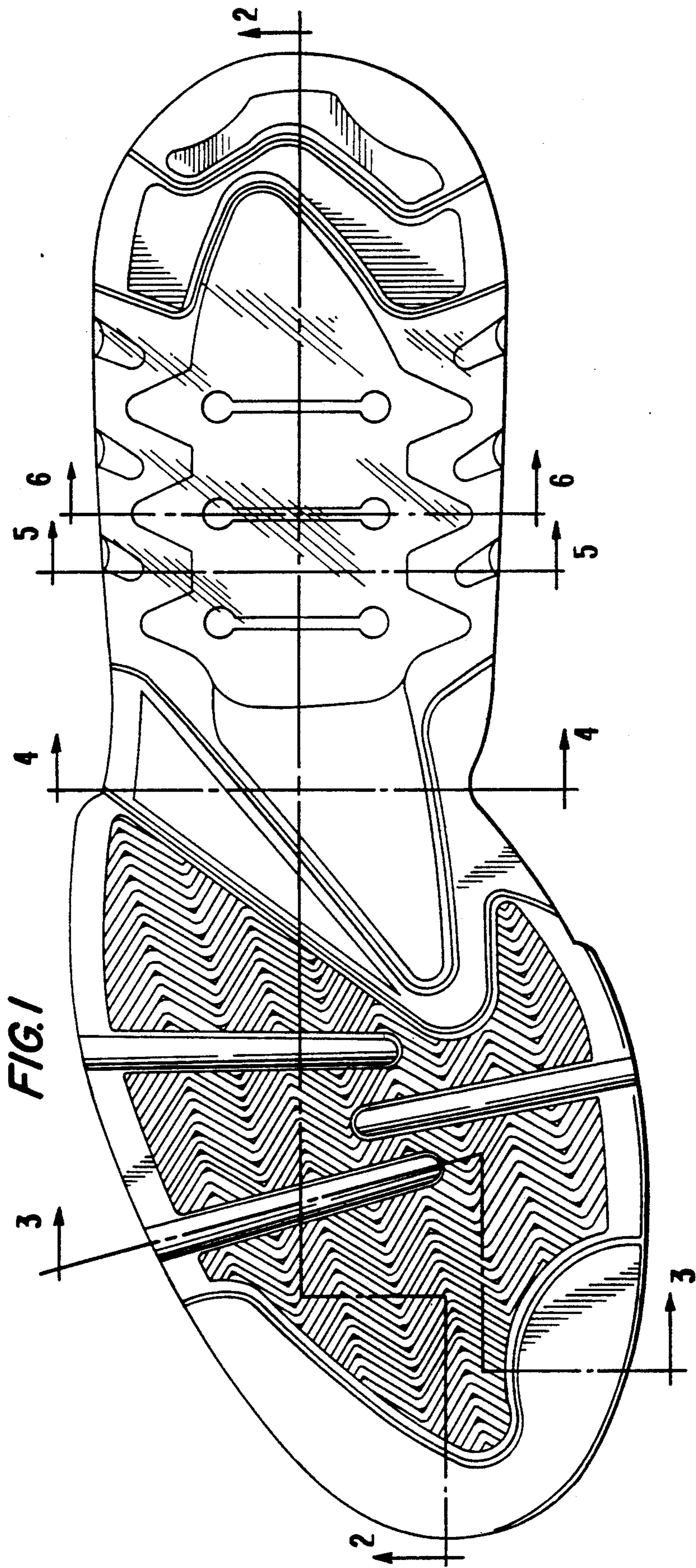


FIG. 3



FIG. 4



FIG. 5

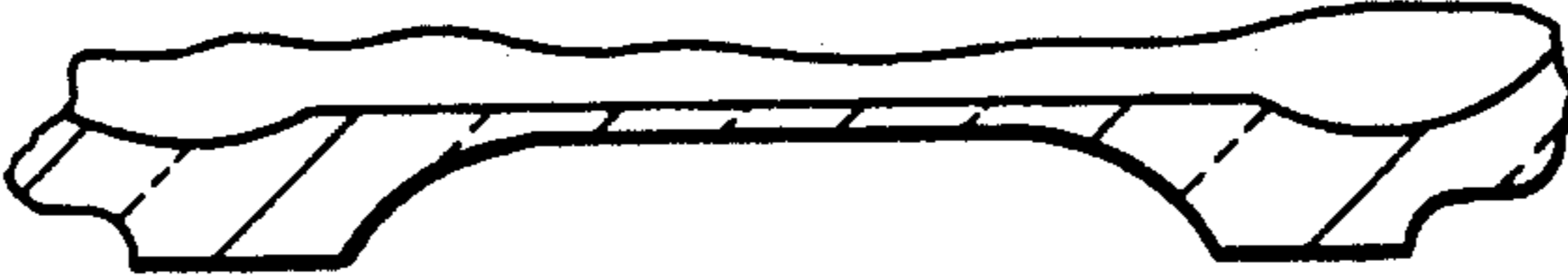


FIG. 6

