



US00D323916S

United States Patent [19]

[11] Patent Number: **Des. 323,916**

Sanchez, Jr. et al.

[45] Date of Patent: **** Feb. 11, 1992**

[54] **HOSE CART WITH TRAY**

4,974,627 12/1990 Nelson 137/355.2
5,007,598 4/1991 Spear et al. 242/86.2

[75] Inventors: **Joseph J. Sanchez, Jr.; Stephen P. Whitehead**, both of Elgin, Ill.

Primary Examiner—Kay H. Chin
Attorney, Agent, or Firm—Fitch, Even, Tabin & Flannery

[73] Assignee: **Suncast Corporation**, Batavia, Ill.

[**] Term: **14 Years**

[57] **CLAIM**

[21] Appl. No.: **493,714**

The ornamental design for a hose cart with tray, as shown and described.

[22] Filed: **Mar. 14, 1990**

[52] U.S. Cl. **D34/24; D34/26**

[58] Field of Search **D34/26, 24, 12, 25; 242/86.2; 137/355.27, 355.2, 355.12**

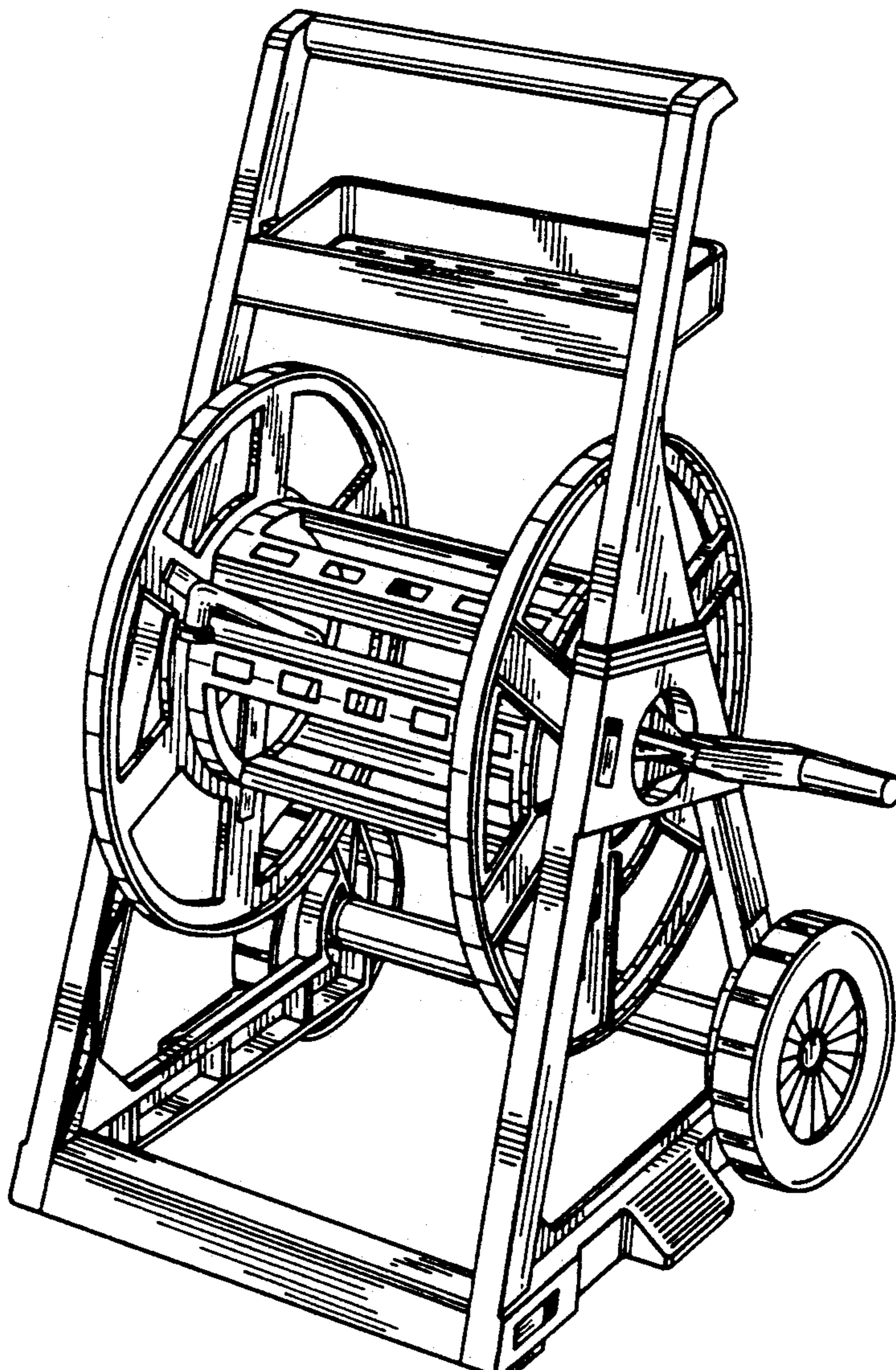
DESCRIPTION

[56] **References Cited**

U.S. PATENT DOCUMENTS

- Re. 32,510 9/1987 Tisbo et al. 137/355.27
- D. 303,446 9/1989 Kitts et al. D34/26
- 4,768,546 9/1988 Brusadin et al. 137/355.27

FIG. 1 is a top and right side perspective view of a hose cart with tray showing our new design; FIG. 2 is a right side elevational view thereof; FIG. 3 is a left side elevational view thereof; FIG. 4 is a front elevational view thereof; FIG. 5 is a rear elevational view thereof; FIG. 6 is a top plan view thereof; and FIG. 7 is a bottom plan view thereof.



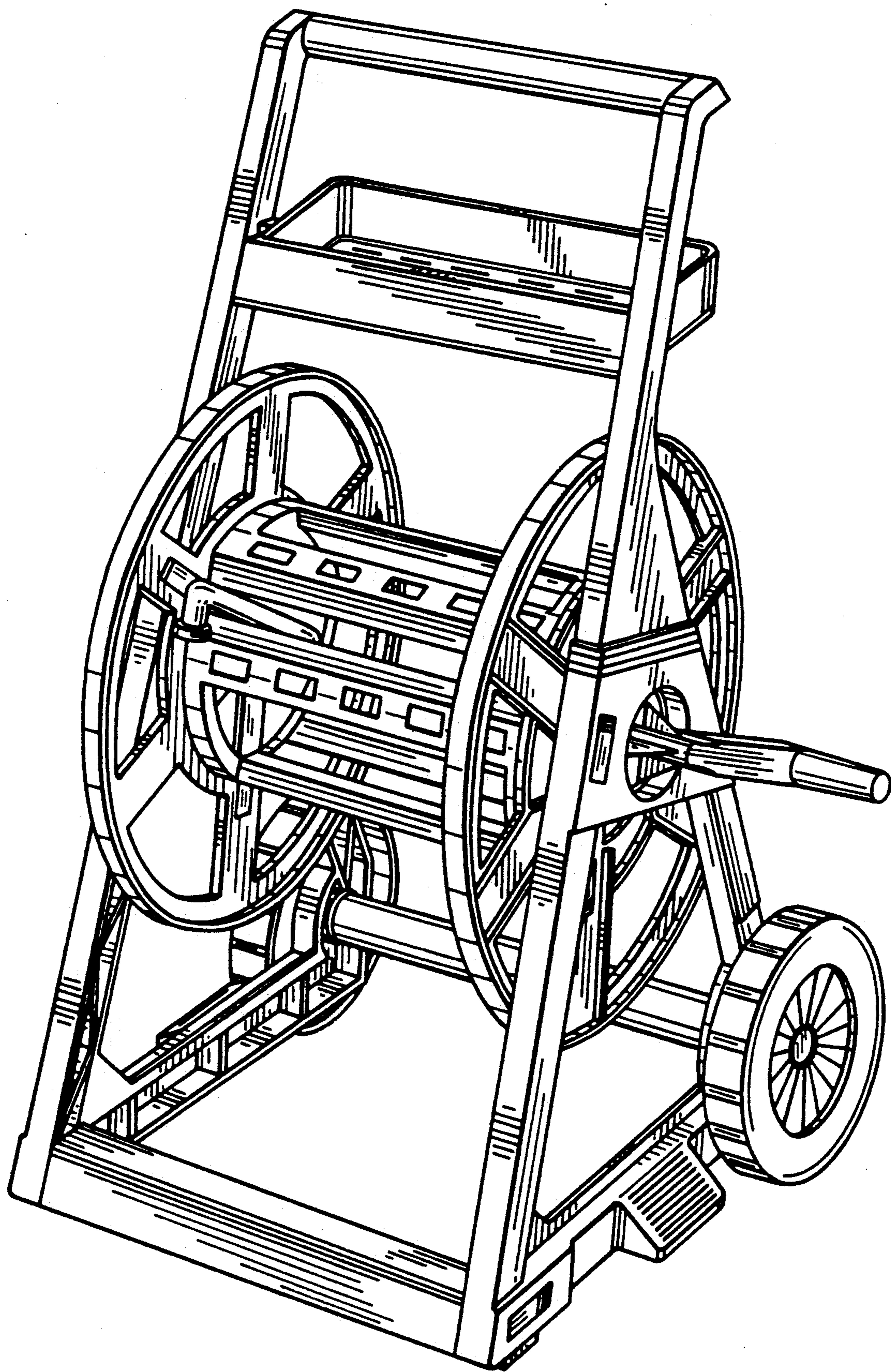


FIG. 1

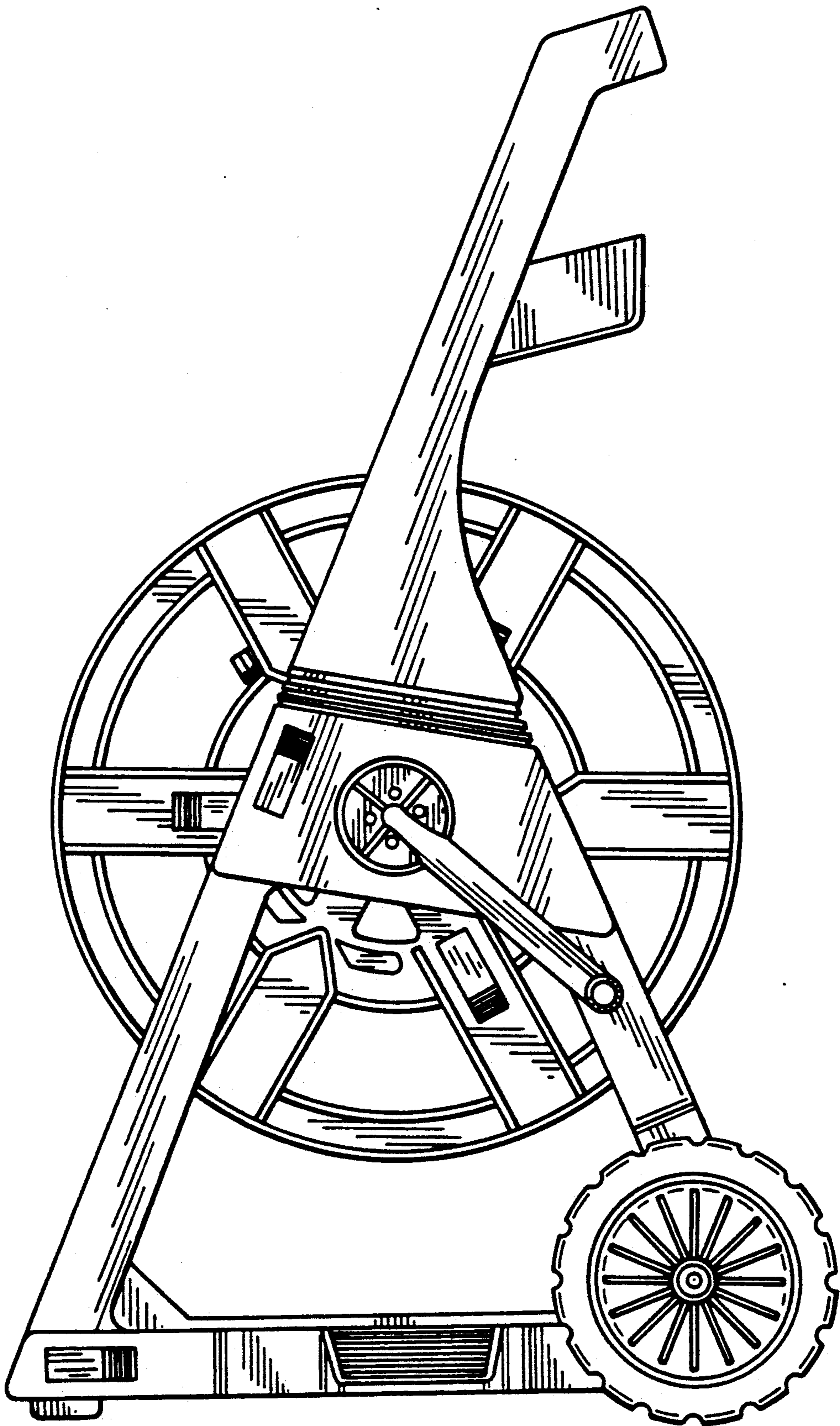


FIG. 2

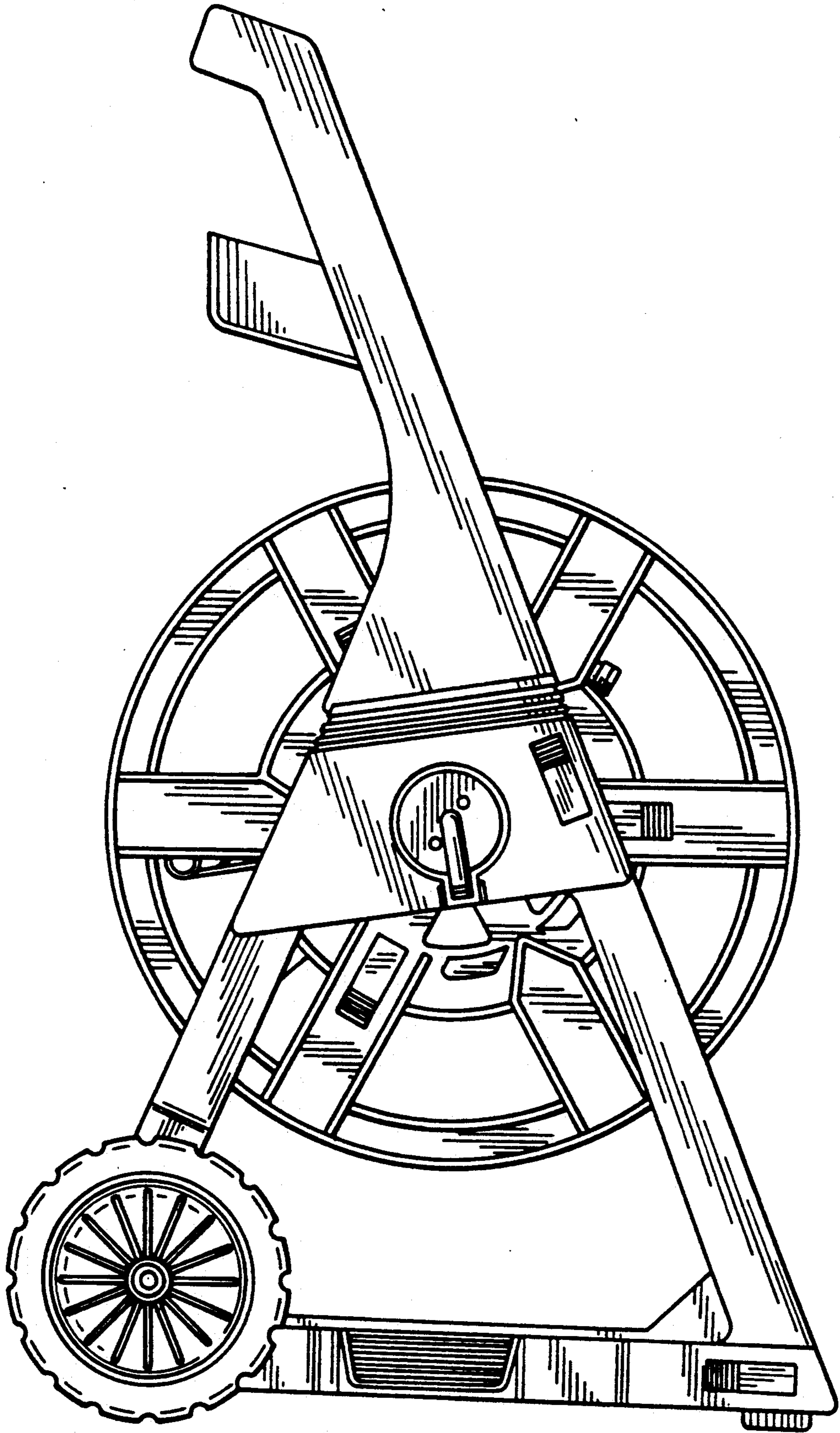


FIG. 3

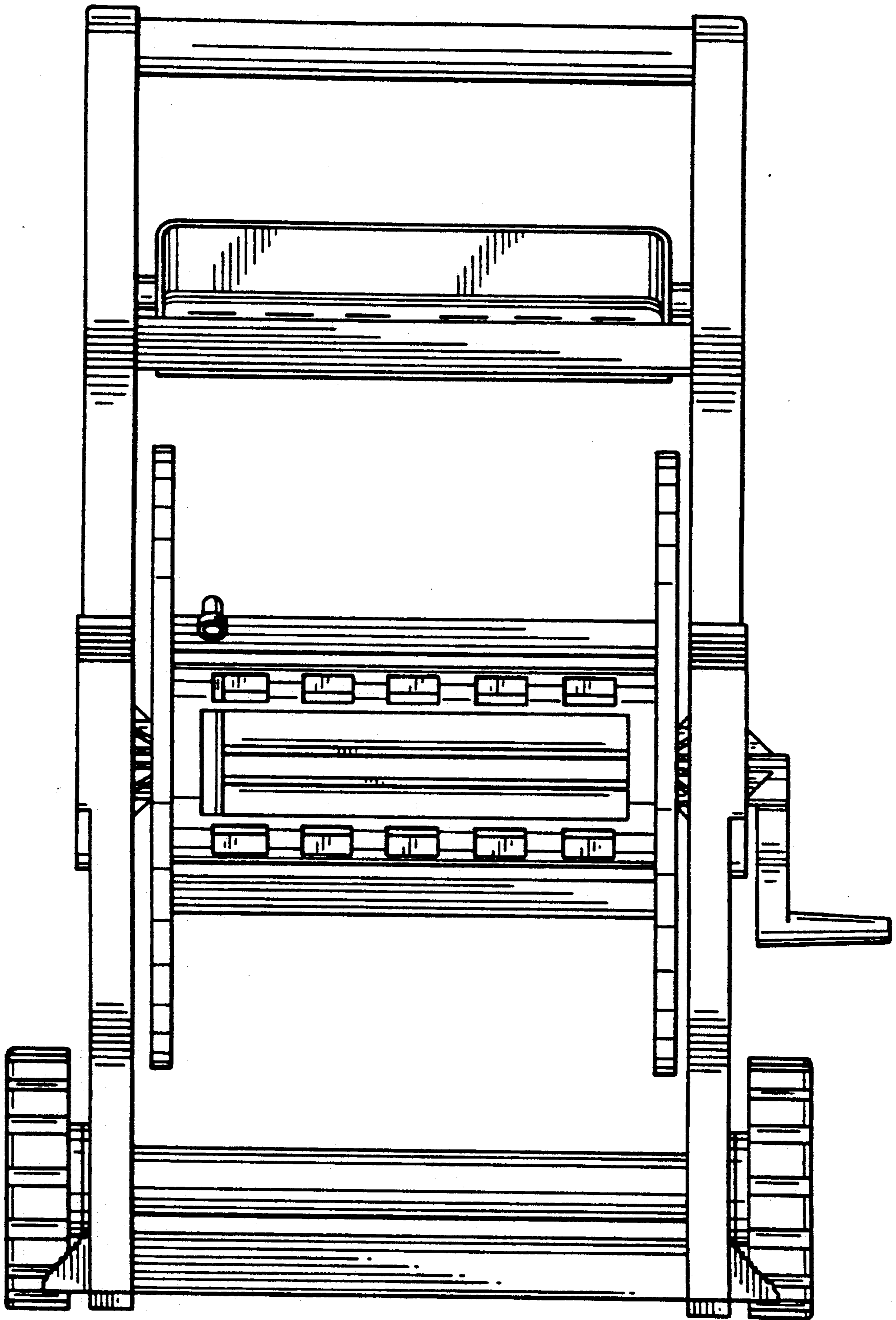


FIG. 4

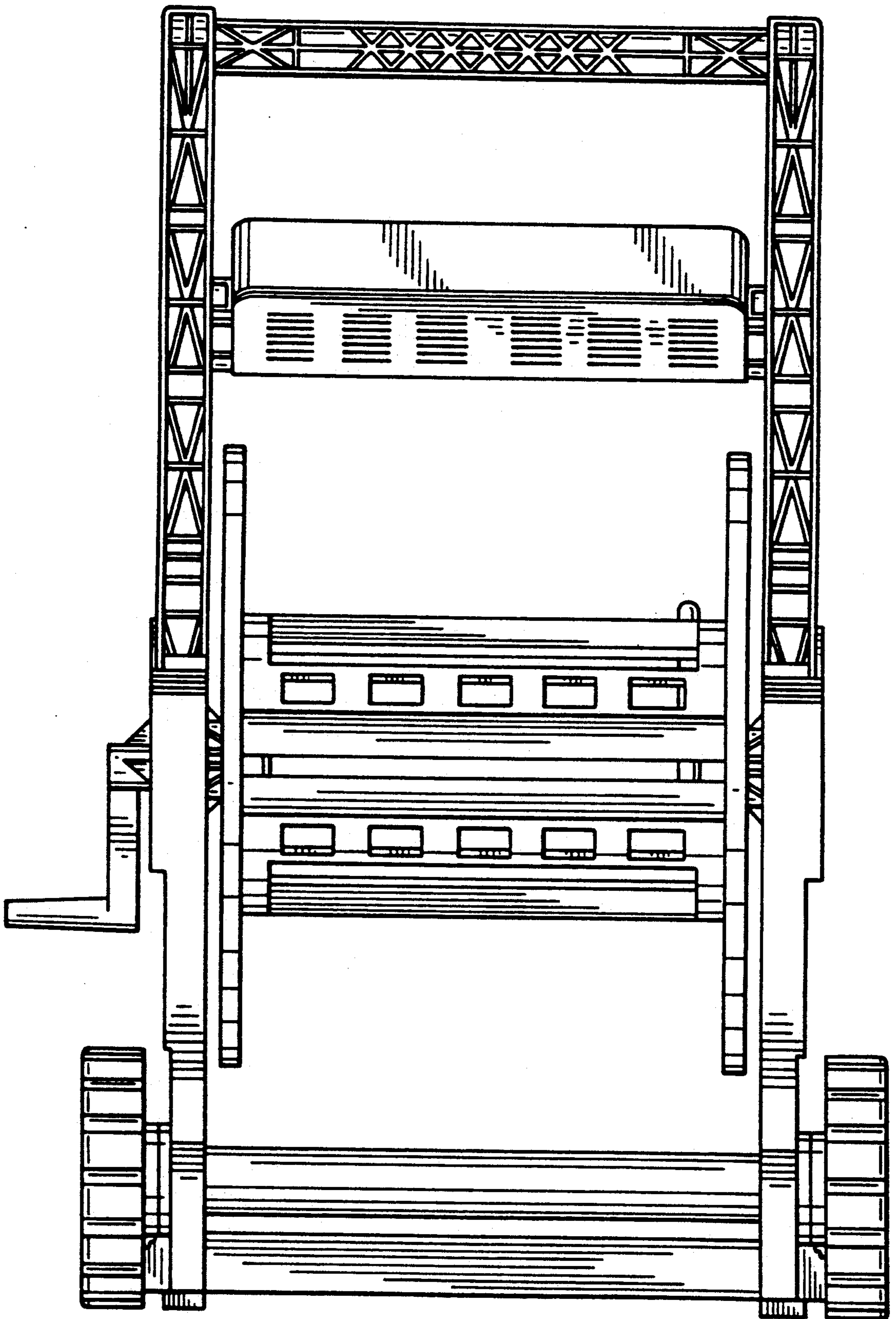


FIG. 5

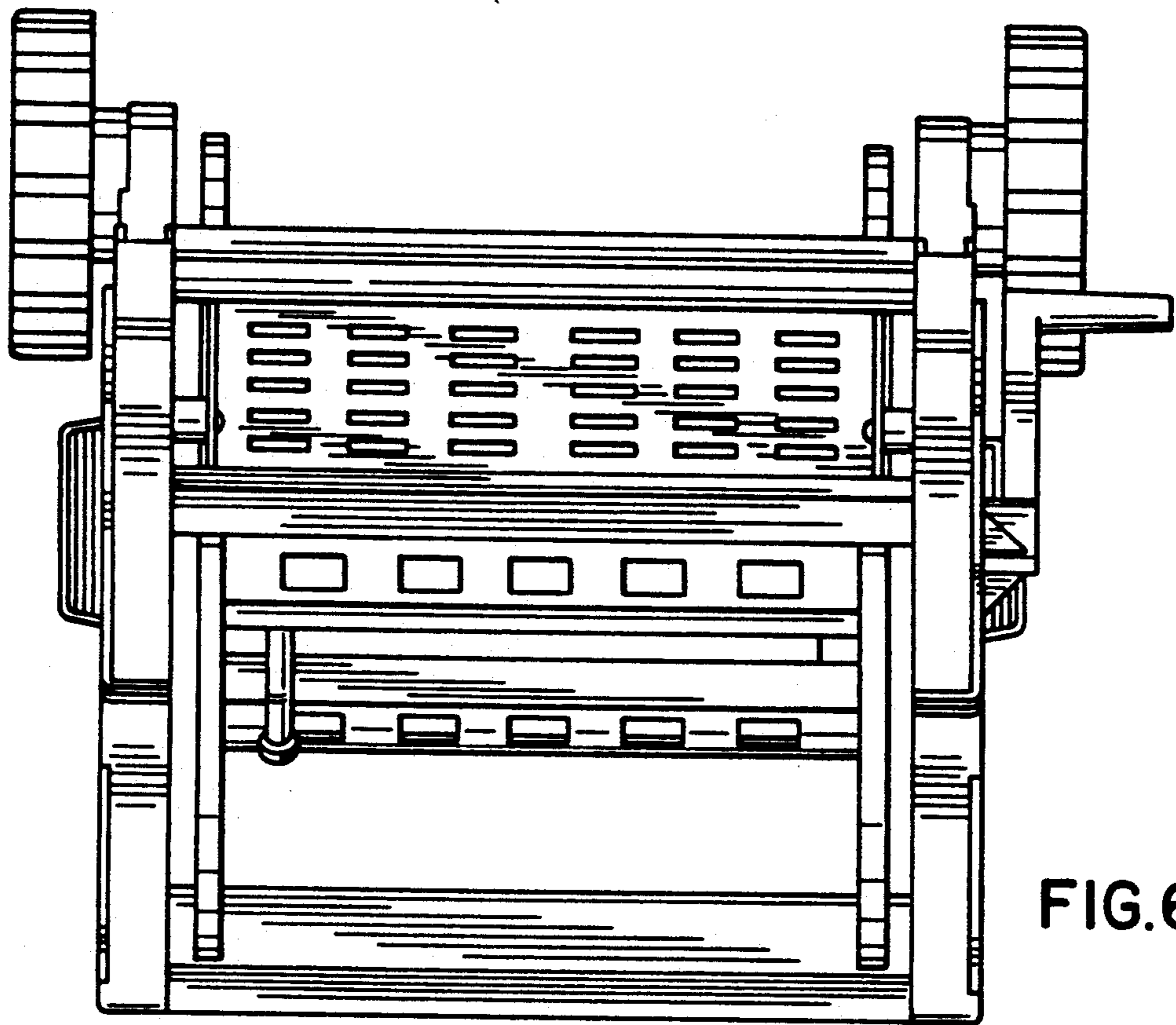


FIG. 6

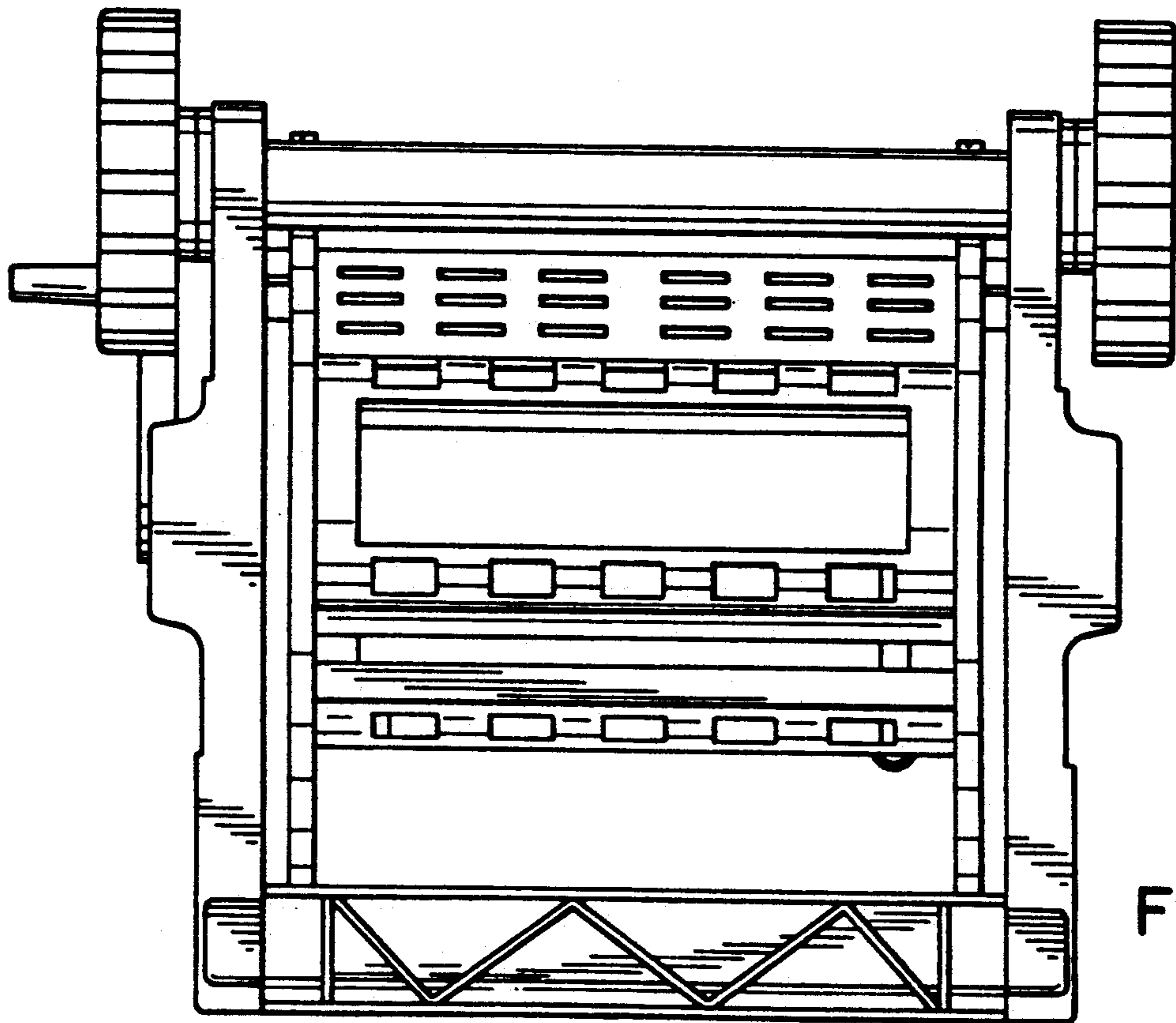


FIG. 7