



US00D323915S

United States Patent [19]

[11] Patent Number: Des. 323,915

Welch

[45] Date of Patent: ** Feb. 11, 1992

[54] MODULAR UTILITY CART

[75] Inventor: Robert J. Welch, Dallas, Pa.

[73] Assignee: InterMetro Industries, Wilkes-Barre, Pa.

[**] Term: 14 Years

[21] Appl. No.: 305,653

[22] Filed: Feb. 3, 1989

[52] U.S. Cl. D34/21; D34/20

[58] Field of Search D34/21, 20, 12, 17; 280/79.11, 79.3, 47.35; 108/59, 91; D6/476, 478, 479, 480

[56] References Cited

U.S. PATENT DOCUMENTS

D. 275,044	8/1984	Hampshire et al.	D34/21
D. 283,769	5/1986	Cohn	D6/446
D. 286,819	11/1986	Cohn	D34/19
D. 300,491	4/1989	Grossman	D34/21
D. 301,652	6/1989	Roberts	D34/21
4,595,107	6/1986	Welsch	211/187
4,620,637	11/1986	Karashima	D34/21
4,763,799	8/1988	Cohn et al.	211/187
4,790,610	12/1988	Welch et al.	312/218

Primary Examiner—Kay H. Chin

Attorney, Agent, or Firm—Fitzpatrick, Cella, Harper & Scinto

[57] CLAIM

The ornamental design for a modular utility cart, as shown and described.

DESCRIPTION

FIG. 1 is a top and front perspective view of a modular utility cart showing my new design;

FIG. 2 is a front perspective view thereof without drawers installed;

FIG. 3 is a front elevational view of FIG. 2;

FIG. 4 is a front elevational view of FIG. 2 with the rear upper and low panels removed;

FIG. 5 is a right side elevational view of FIG. 4;

FIG. 6 is a left side elevational view thereof;

FIG. 7 is a rear elevational view thereof, the broken lines are for illustrative purposes only;

FIG. 8 is a rear perspective view thereof without the electrical bus;

FIG. 9 is a rear elevational view thereof without drawers and with the rear upper and lower panels removed;

FIG. 10 is a rear and right side perspective view thereof without the electrical bus;

FIG. 11 is a front and left side perspective view thereof without drawers installed;

FIG. 12 is a front and left side perspective view thereof without drawers and with rear upper and lower panels removed;

FIG. 13 is a rear perspective view of FIG. 12;

FIG. 14 is a top plan view thereof;

FIG. 15 is a bottom plan view thereof with casters removed; and

FIG. 16 is an enlarged bottom plan view thereof.

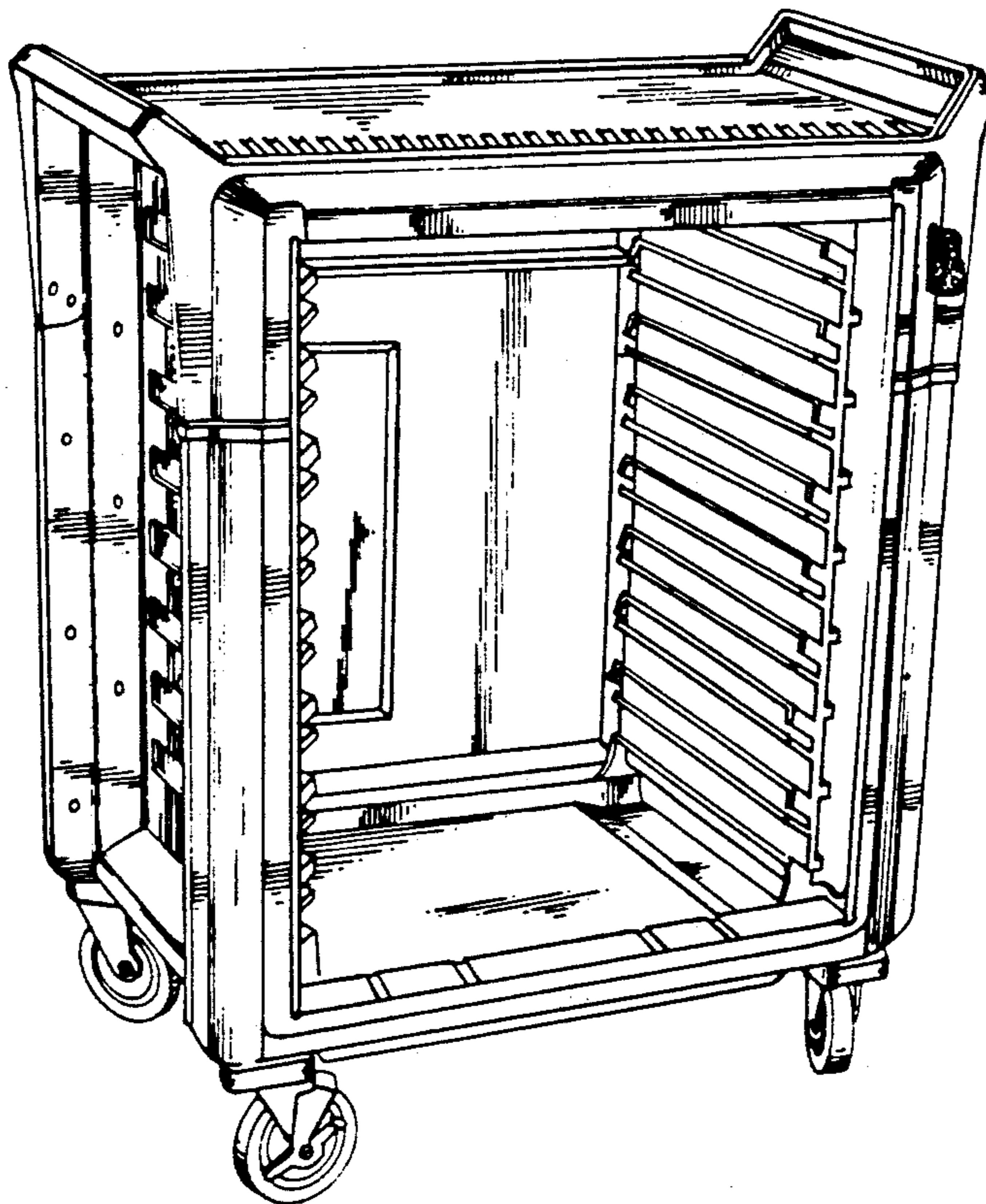
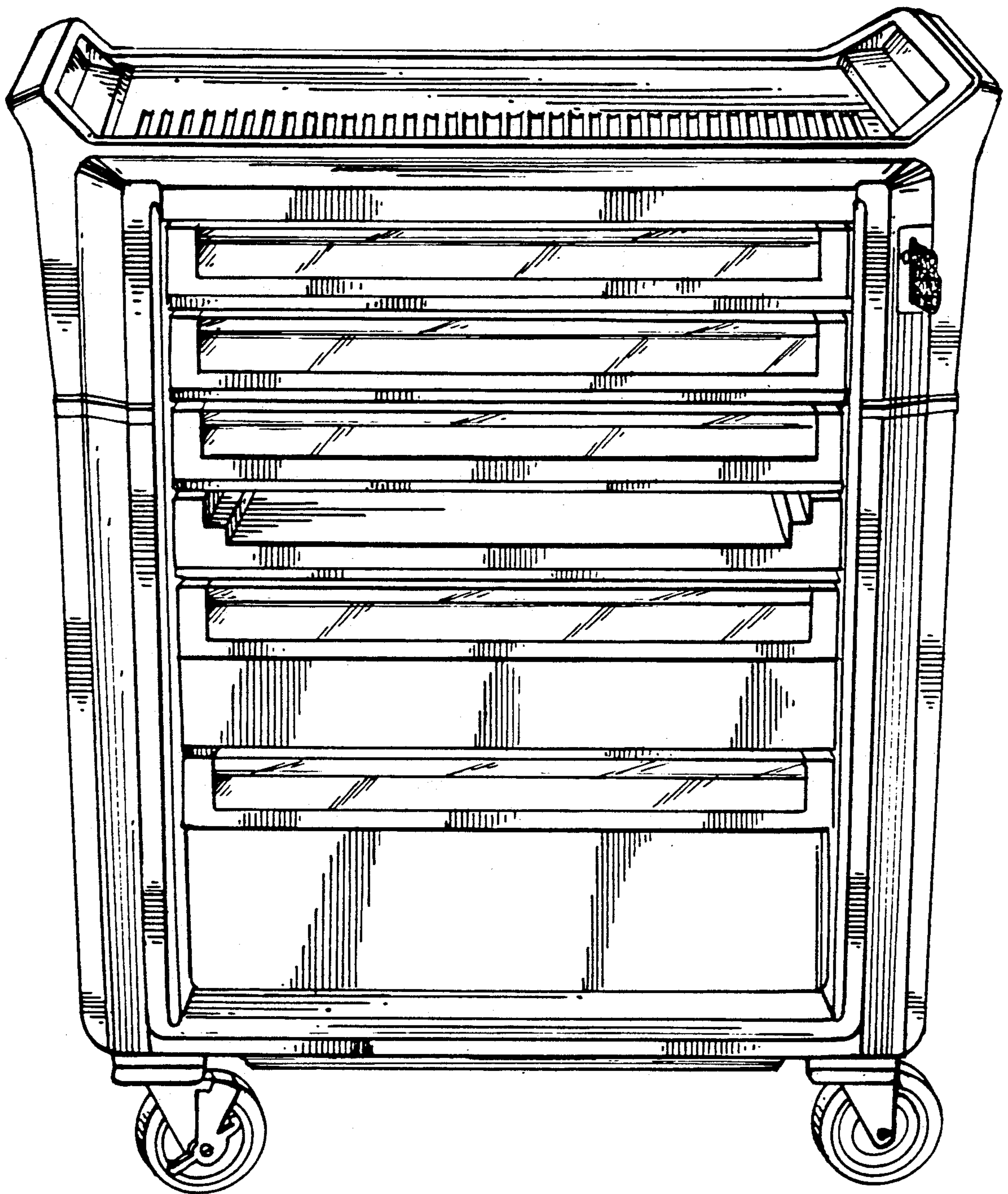
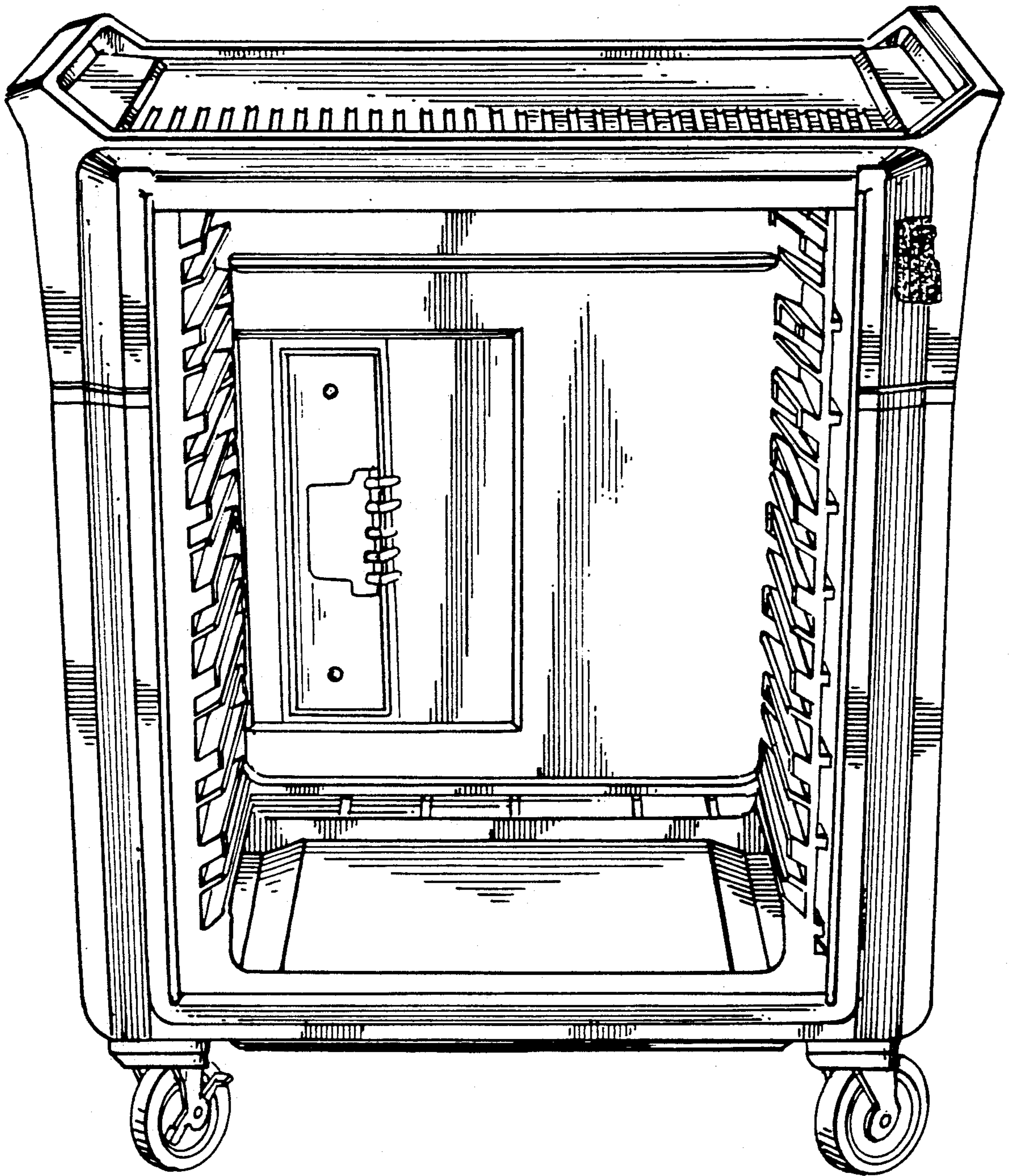


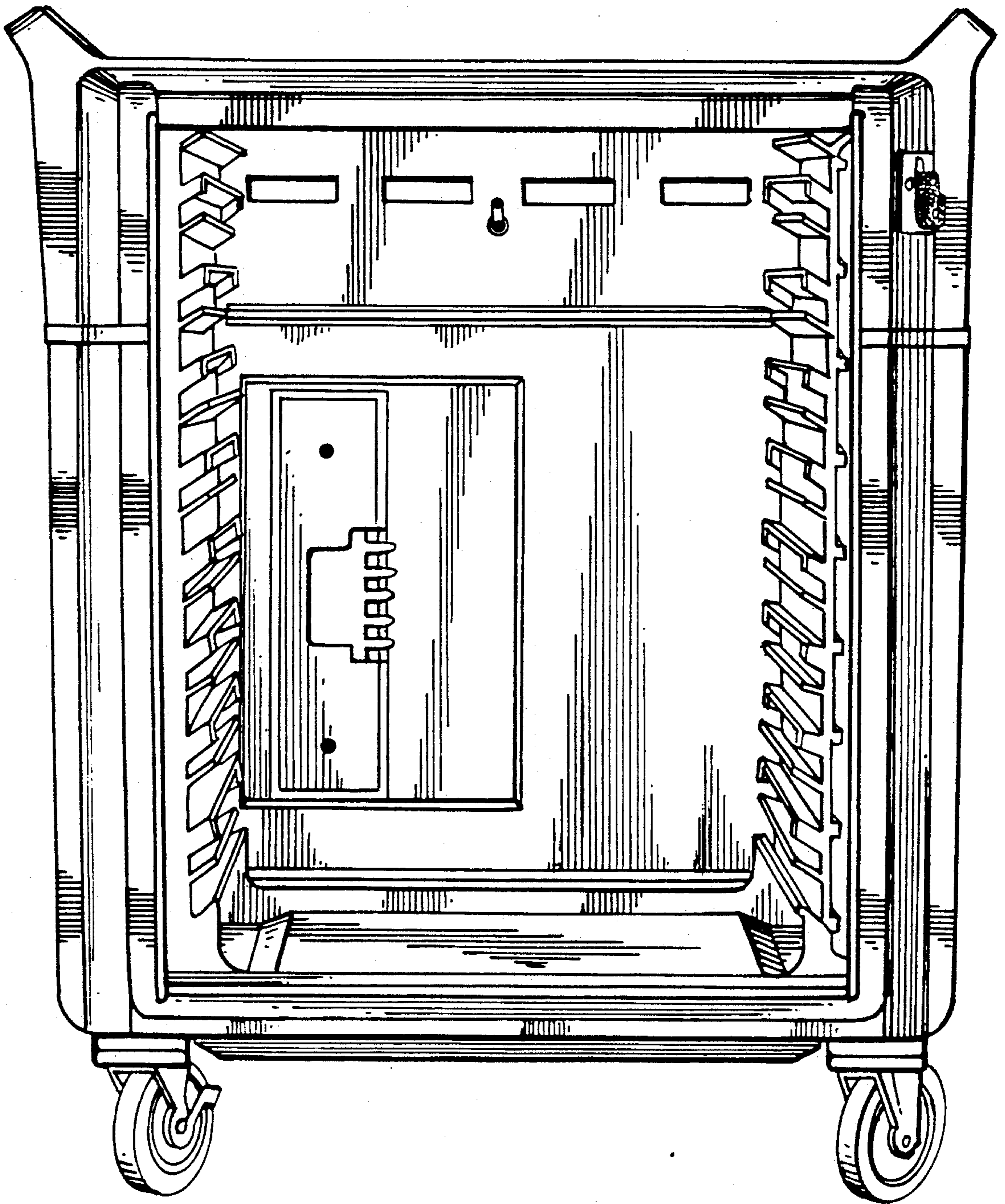
FIG. 1



F I G. 2



F I G. 3



F I G. 4

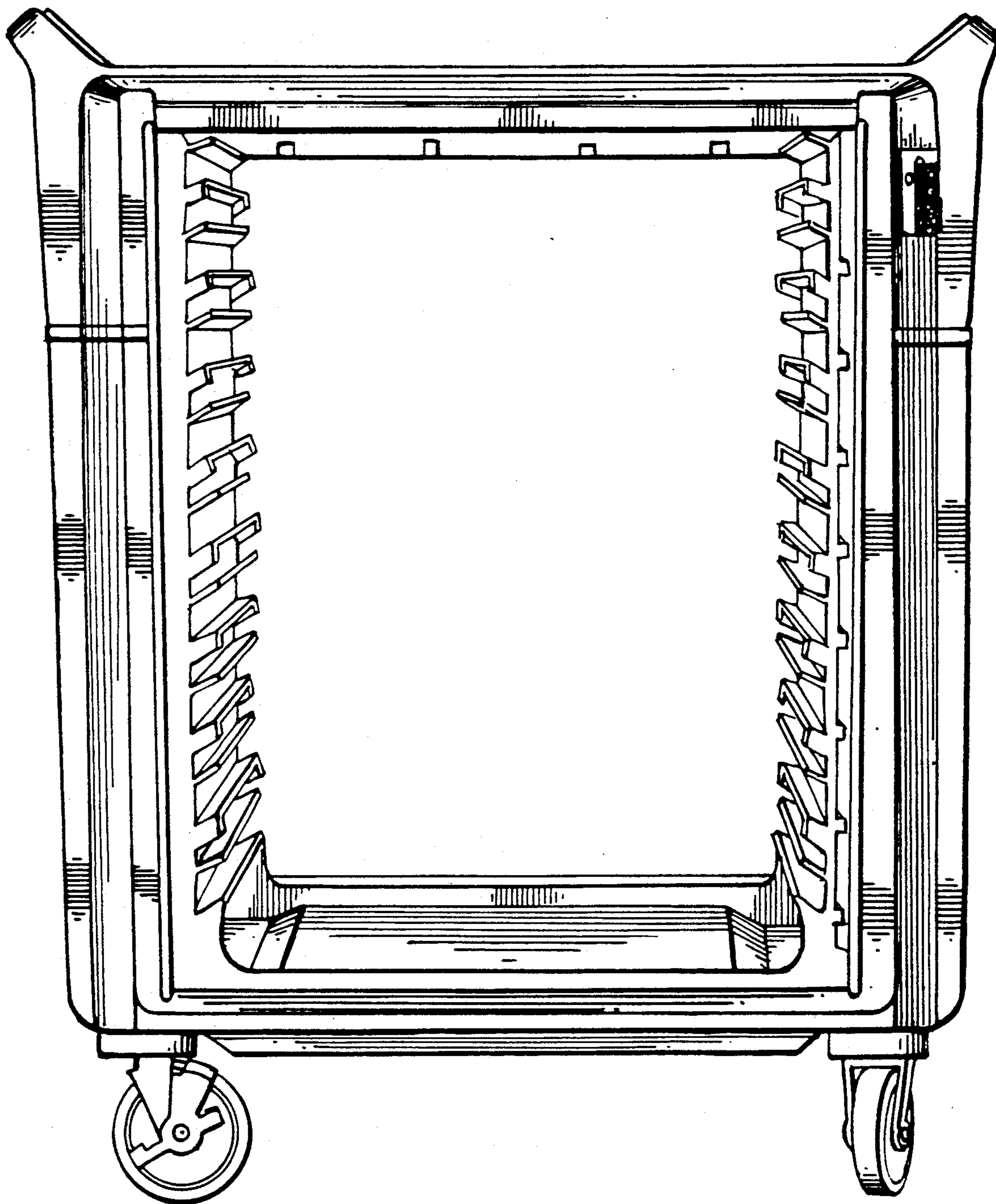
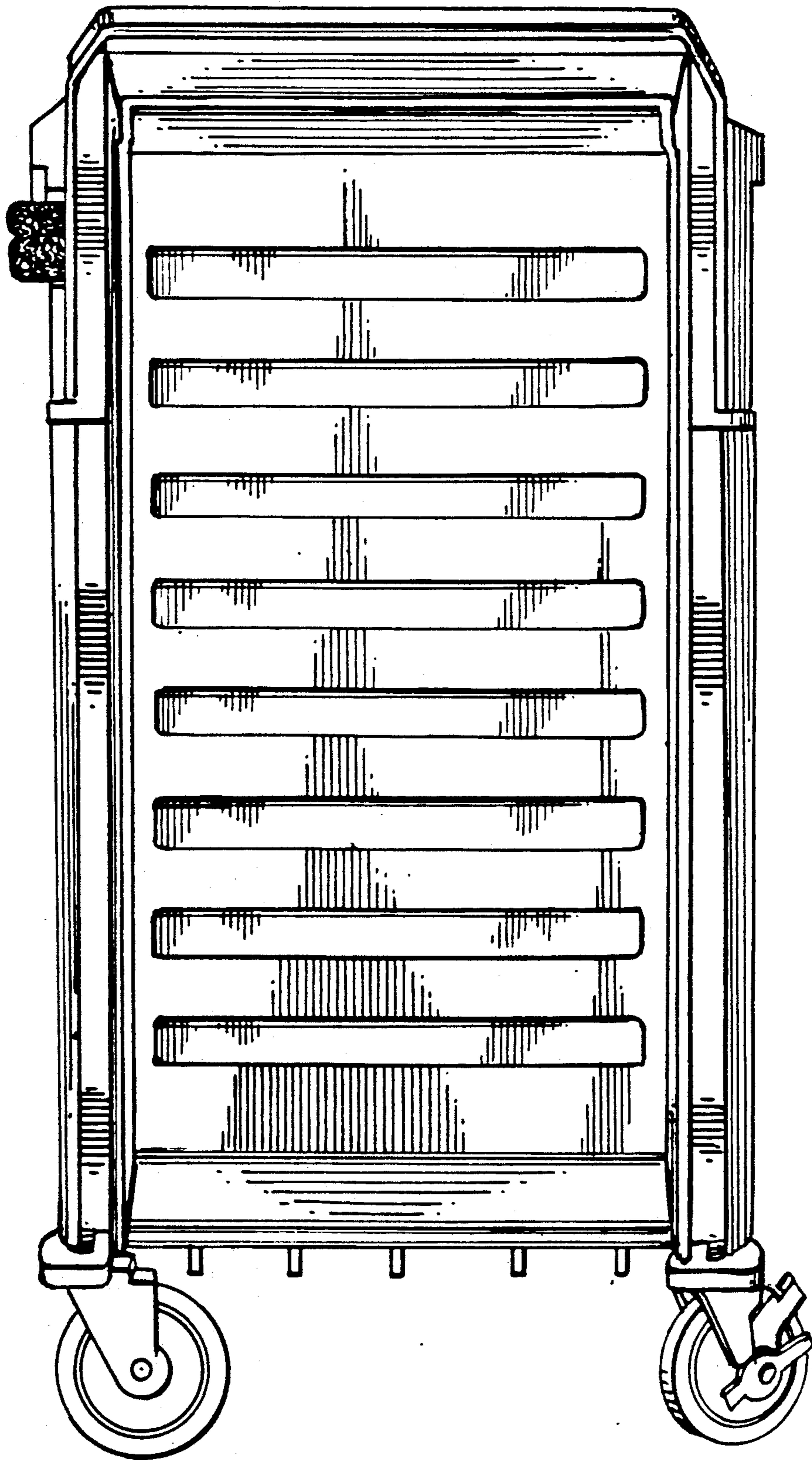


FIG. 5



F I G. 6

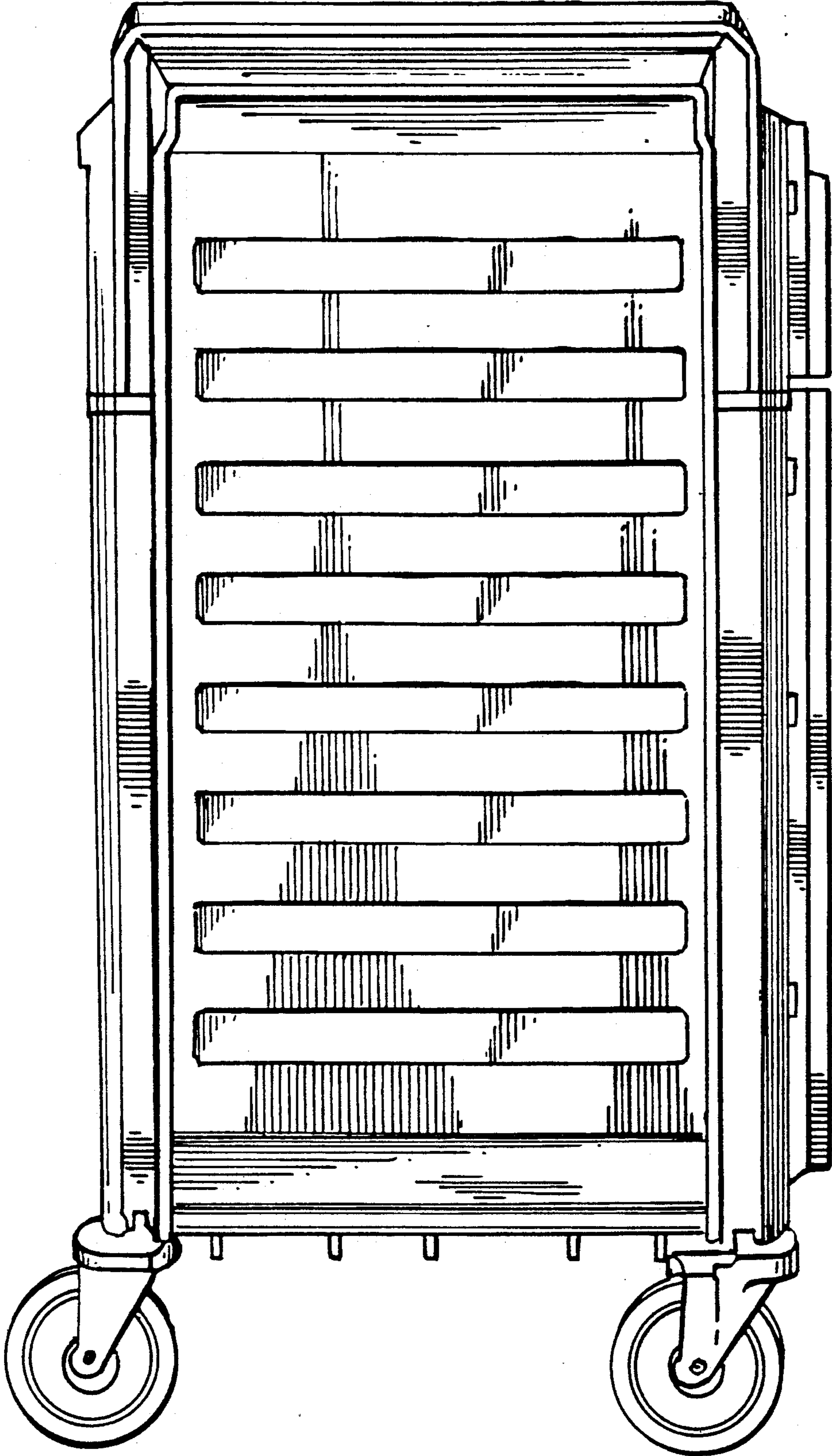
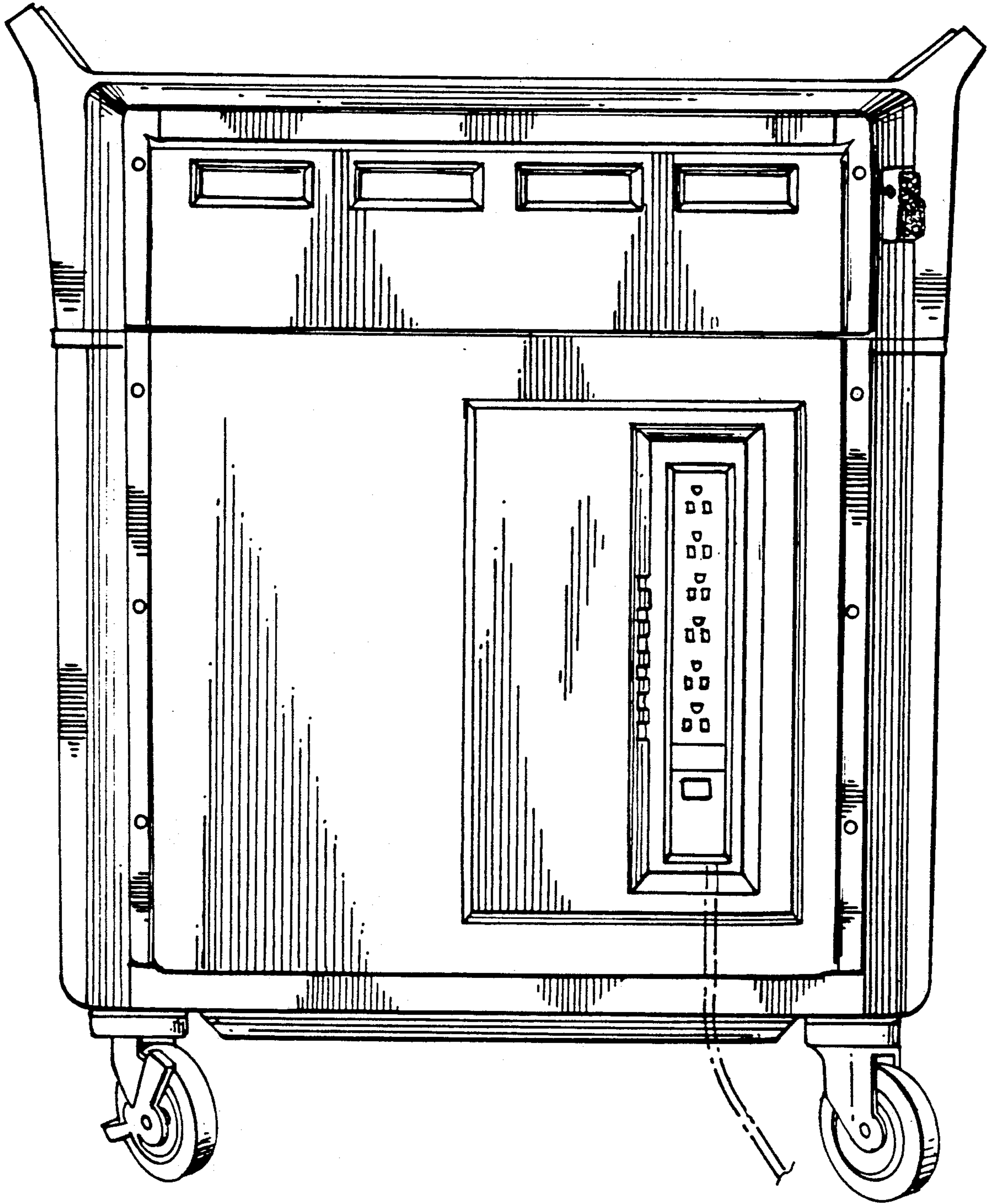
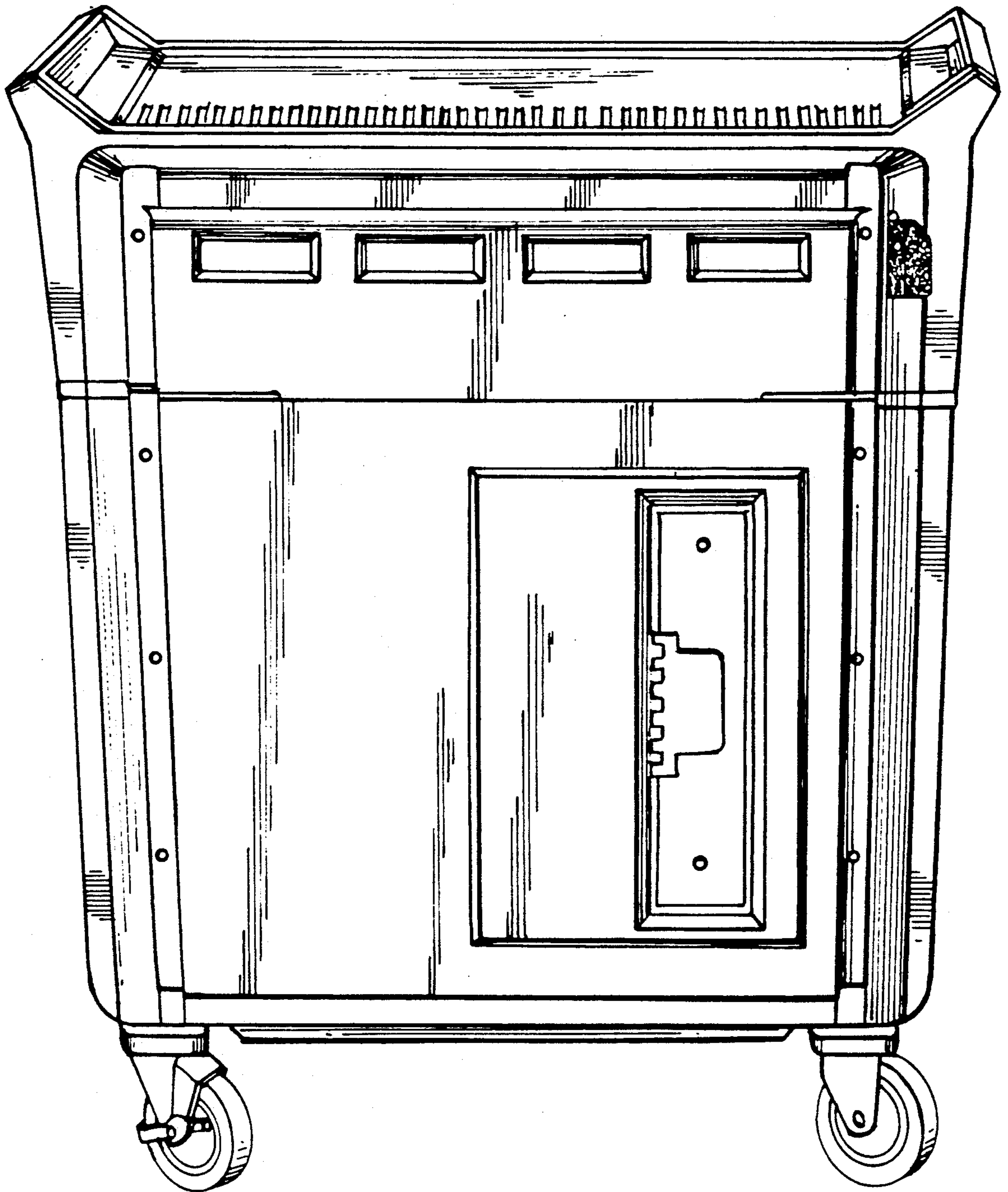


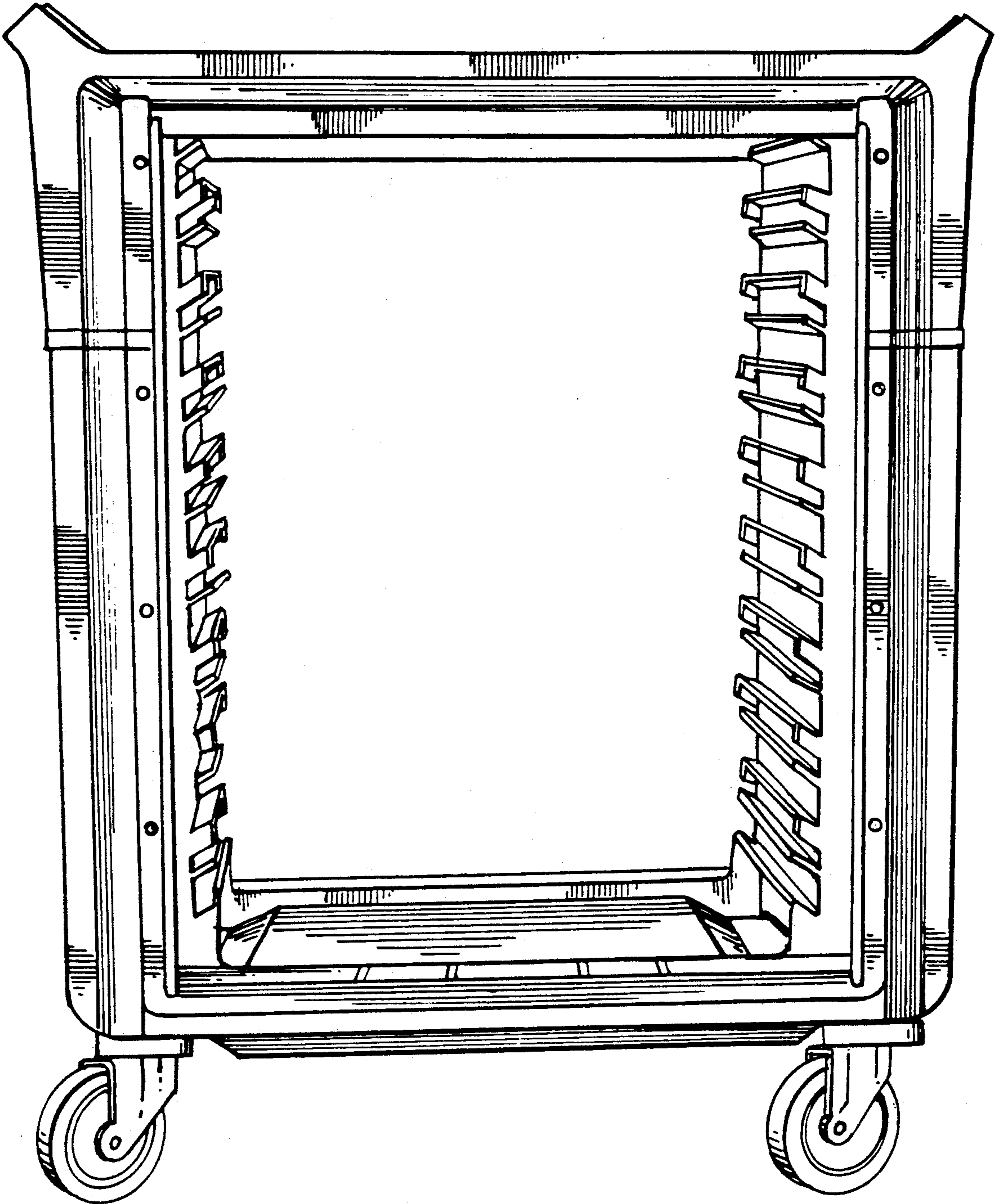
FIG. 7



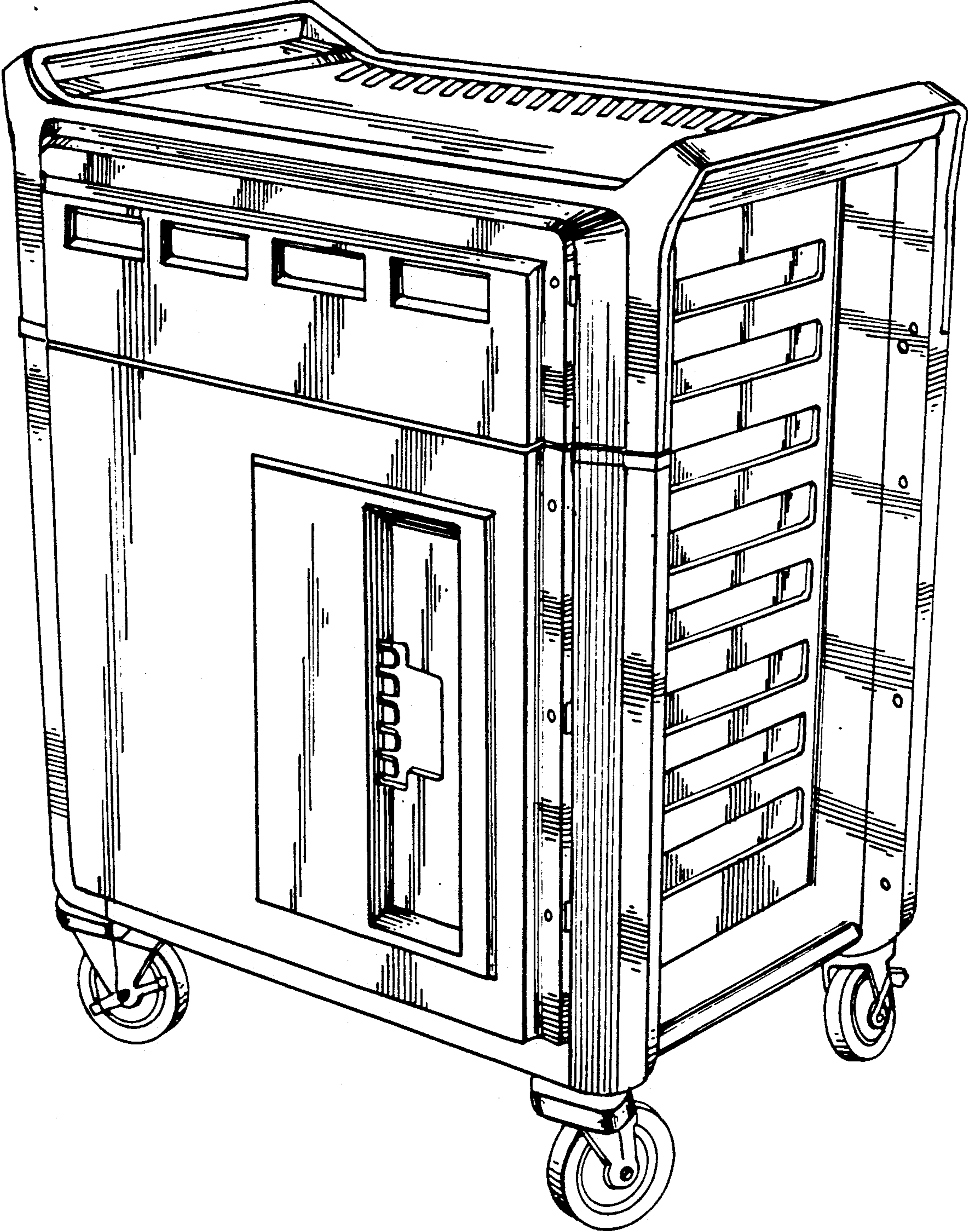
F I G. 8



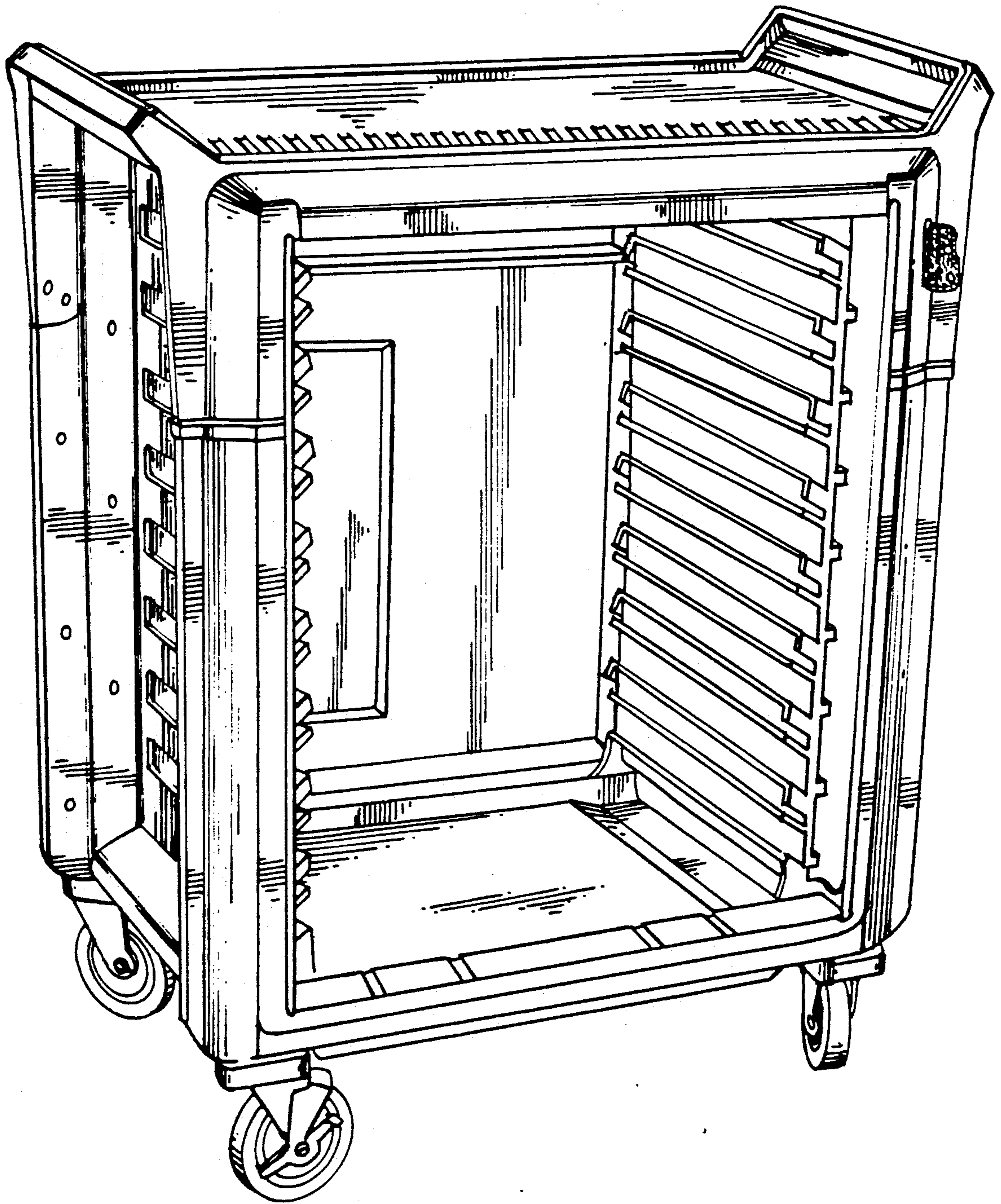
F I G. 9



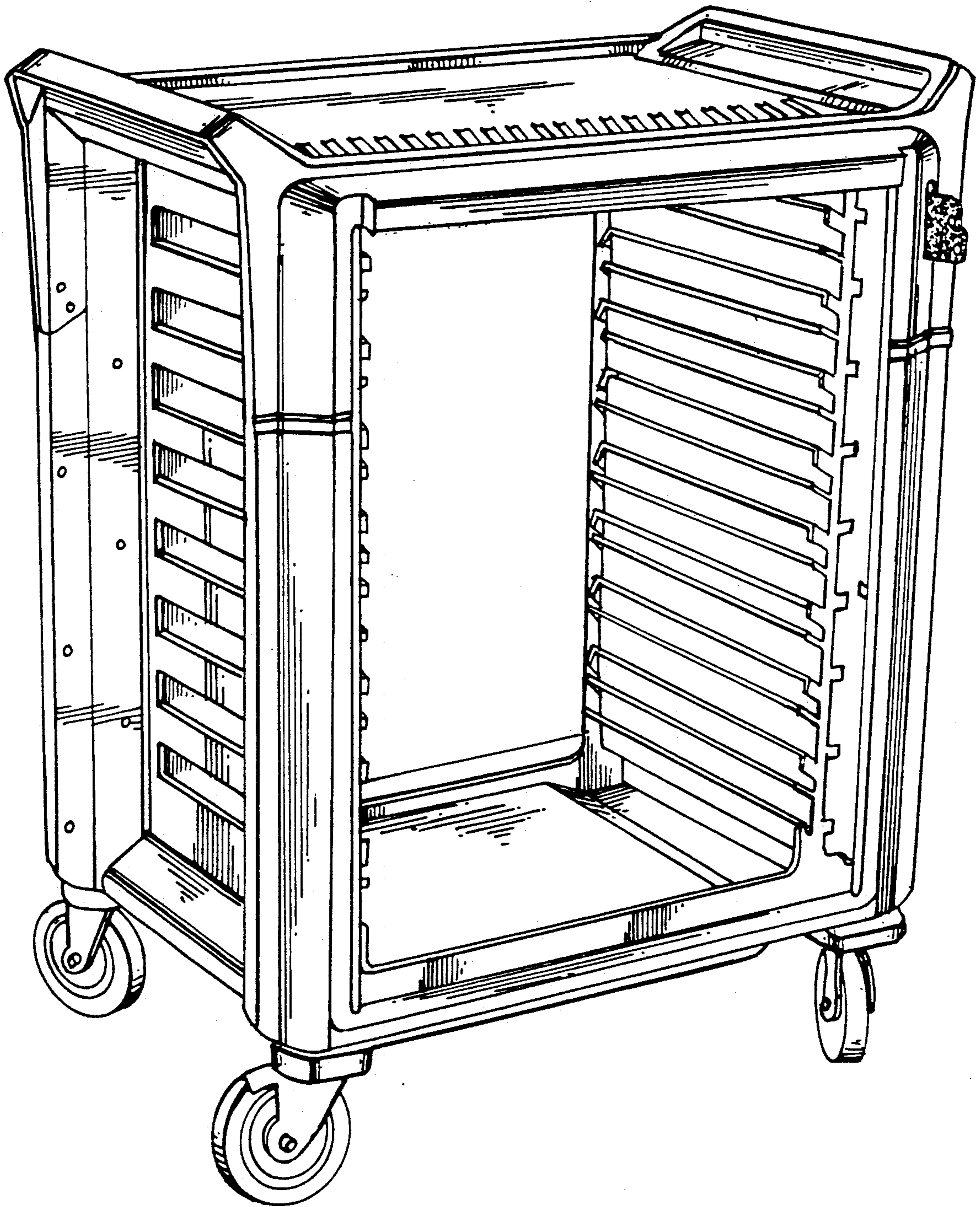
F I G. 10



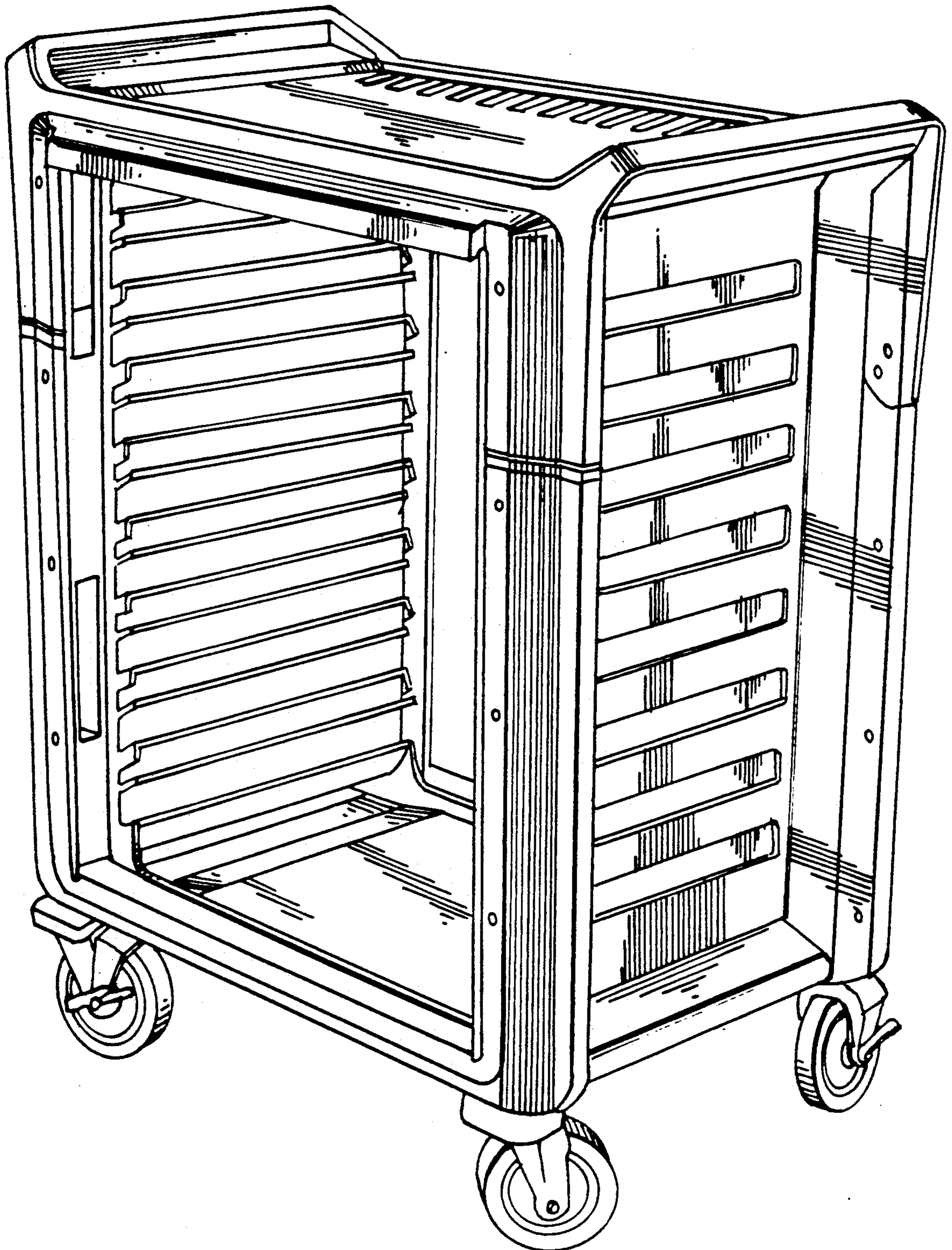
F I G. 11



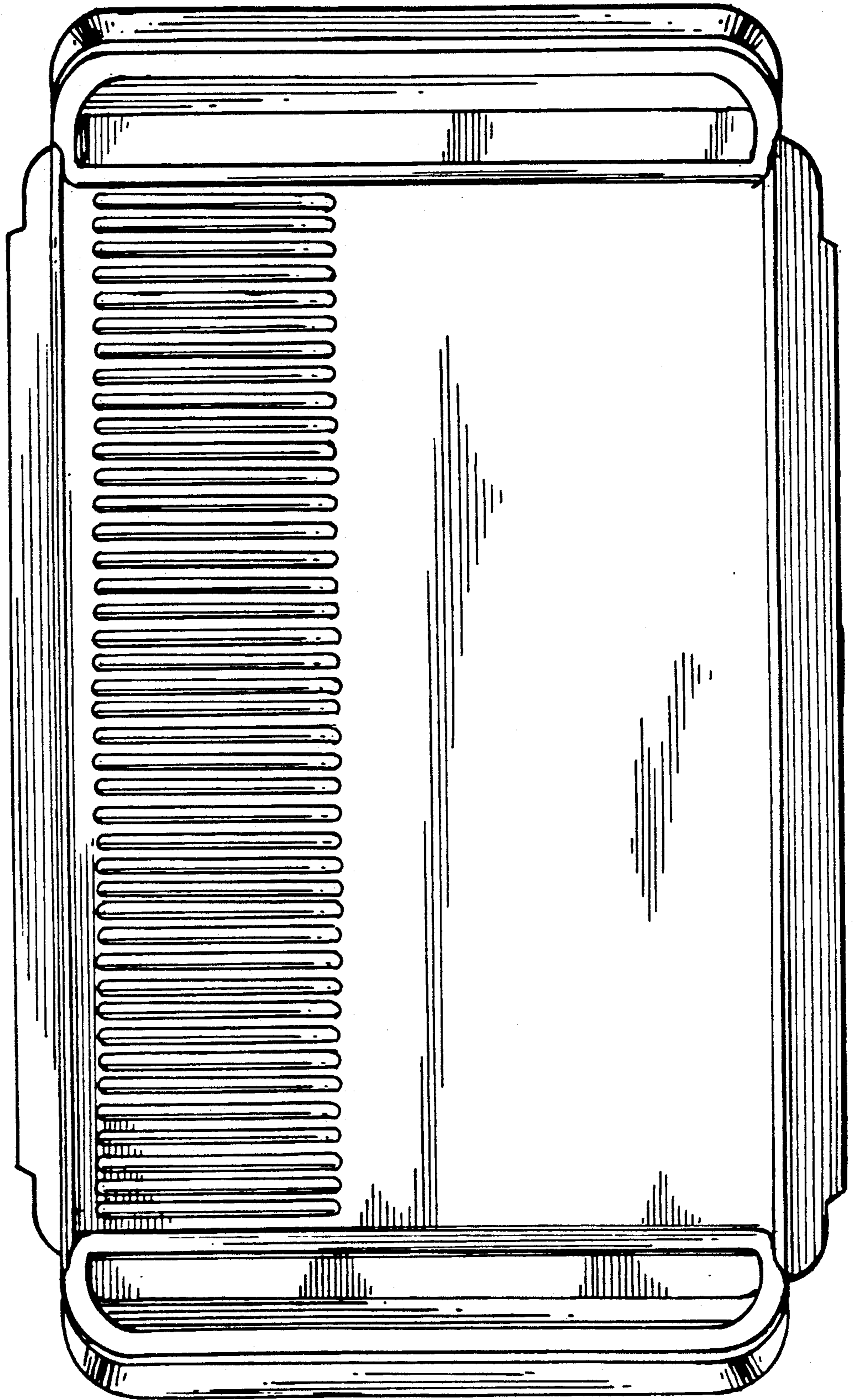
F I G. 12

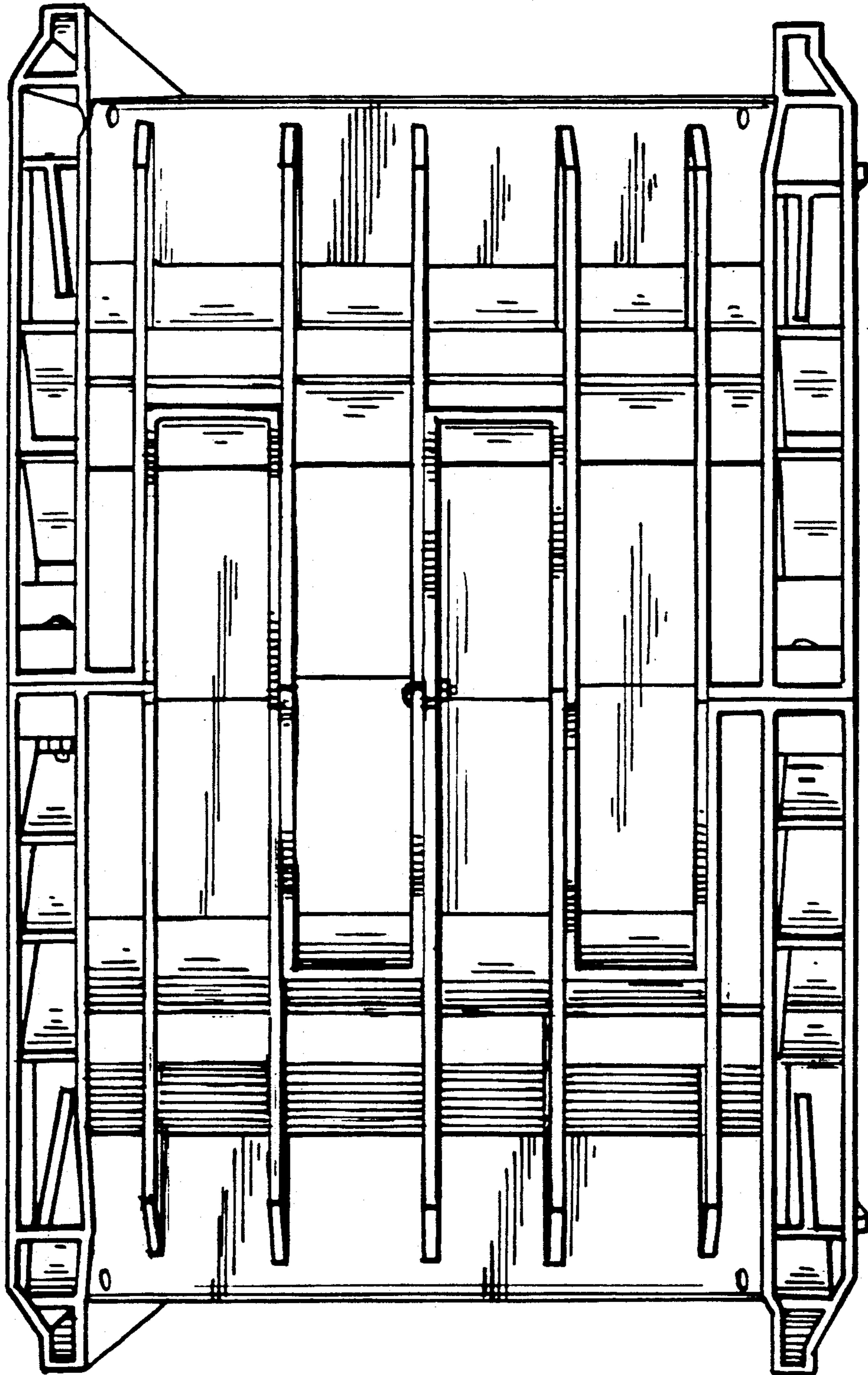


F I G. 13



F I G. 14





F I G. 15

F I G. 16

