



US00D323912S

# United States Patent [19]

[11] Patent Number: Des. 323,912

Delmerico

[45] Date of Patent: \*\* Feb. 11, 1992

## [54] WHEELED REFUSE CONTAINER

[75] Inventor: Paul E. Delmerico, Winchester, Va.

[73] Assignee: Rubbermaid Commercial Products Inc., Winchester, Va.

[\*\*] Term: 14 Years

[21] Appl. No.: 572,095

[22] Filed: Aug. 23, 1990

[52] U.S. Cl. .... D34/5; D34/7

[58] Field of Search ..... D34/1, 5, 7, 8, 9, 11; 220/908, 909, 343, 337, 338, 331, 345; 232/1 R, 43.2; 280/47.26

### [56] References Cited

#### U.S. PATENT DOCUMENTS

D. 270,675	9/1983	Parker	.....	D34/5
D. 291,739	9/1987	Orlowski	.....	D34/5
D. 292,638	11/1987	Carville	.....	D34/5
D. 302,884	8/1989	Poisat	.....	D34/5
D. 313,491	1/1991	Edelhoff et al.	.....	D34/5
4,836,394	6/1989	Glomski	.....	220/908
5,031,796	7/1991	Schäfer et al.	.....	220/908

## OTHER PUBLICATIONS

Rubbermaid Incorporated, Wooster, Ohio; 1990; 1 page brochure.

Otto Industries, Inc., Charlotte, N.C.; 1989; 7 page brochure.

Zarn, Inc., Reidsville, N.C.; 1989; 7 page brochure.

Continental Co., St. Louis, Mo.; 1990; 1 page brochure.

*Primary Examiner*—Kay H. Chin

*Attorney, Agent, or Firm*—Renner, Kenner, Greive, Bobak, Taylor & Weber

## [57] CLAIM

The ornamental design for a wheeled refuse container, as shown and described.

## DESCRIPTION

FIG. 1 is a perspective view of a wheeled refuse container showing my new design;

FIG. 2 is a top plan view thereof with the cover closed;

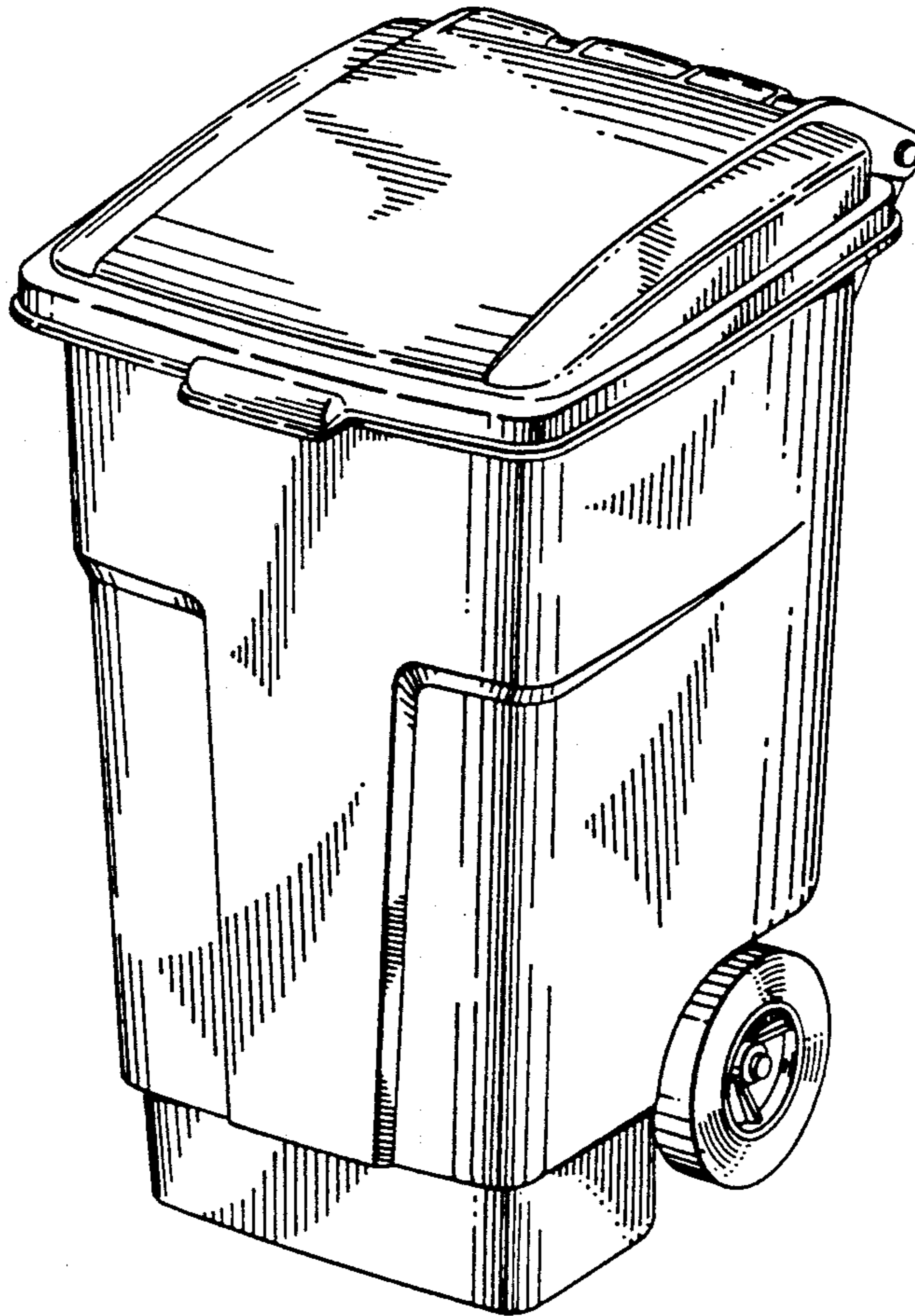
FIG. 3 is a top plan view thereof with the cover open;

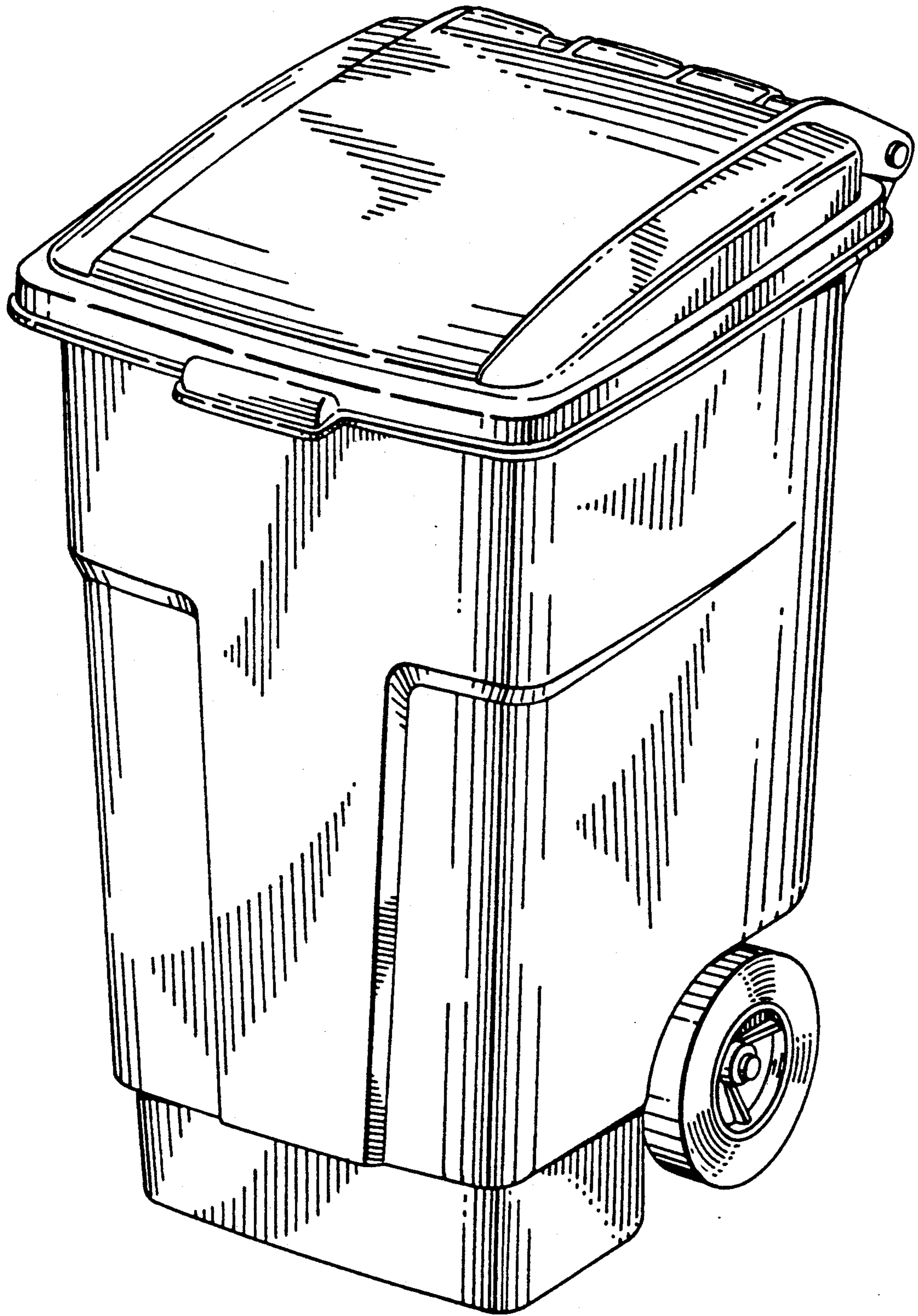
FIG. 4 is a front elevational view thereof;

FIG. 5 is a side elevational view thereof showing the side opposite to that shown in FIG. 1, the other side being a mirror image thereof;

FIG. 6 is a rear elevational view thereof; and

FIG. 7 is a bottom plan view thereof.





*FIG. 1*



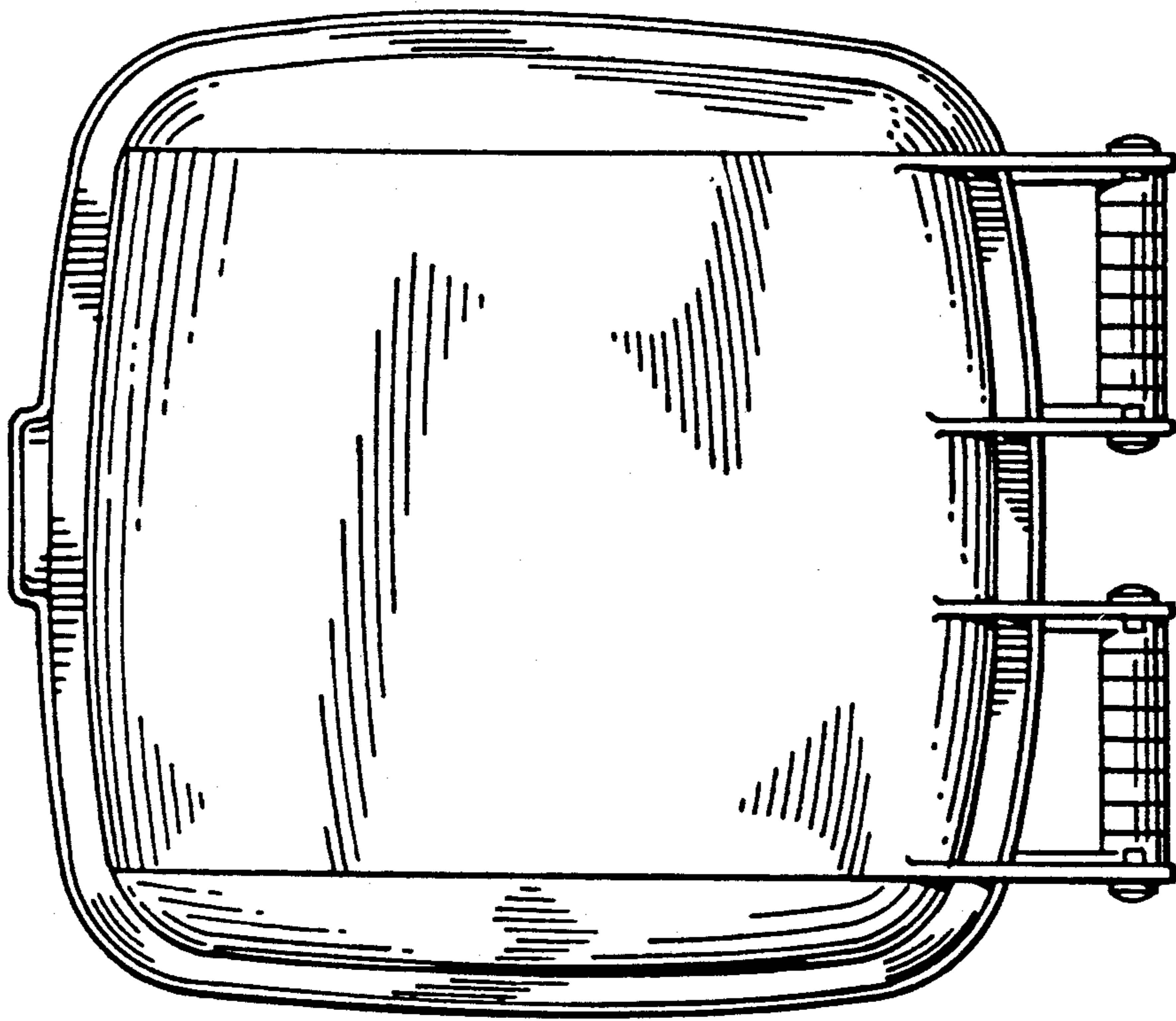


FIG. 2

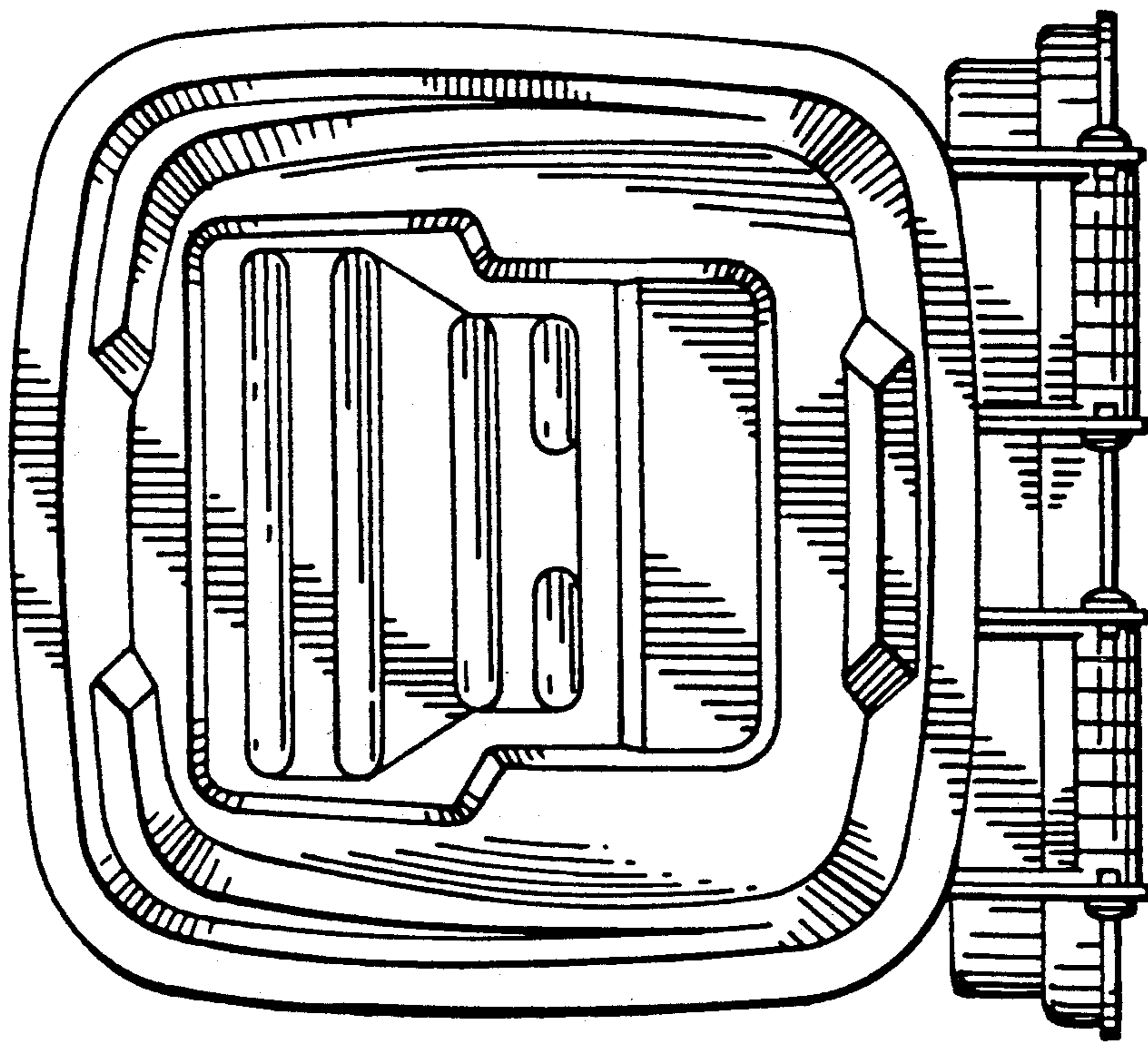


FIG. 3

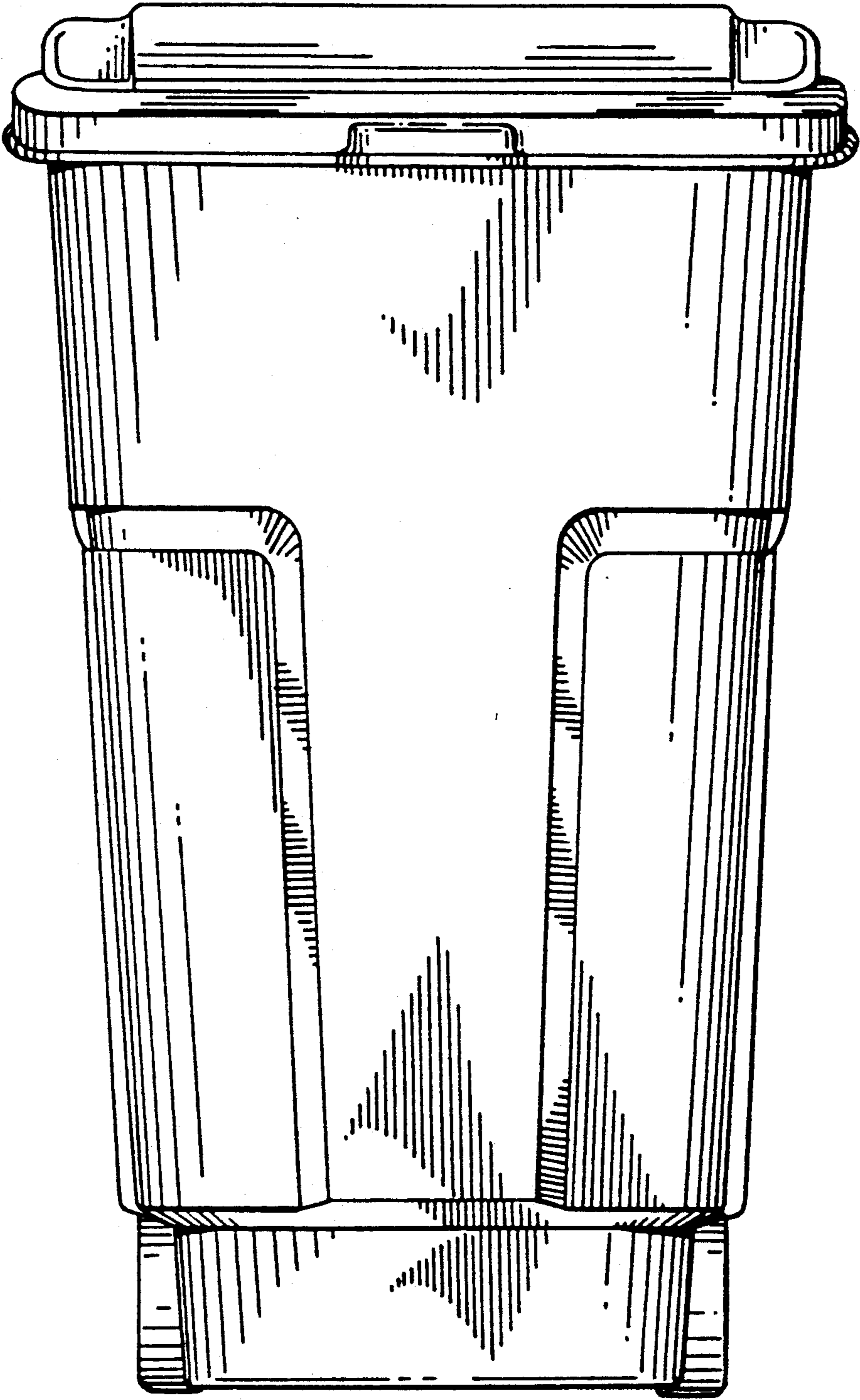
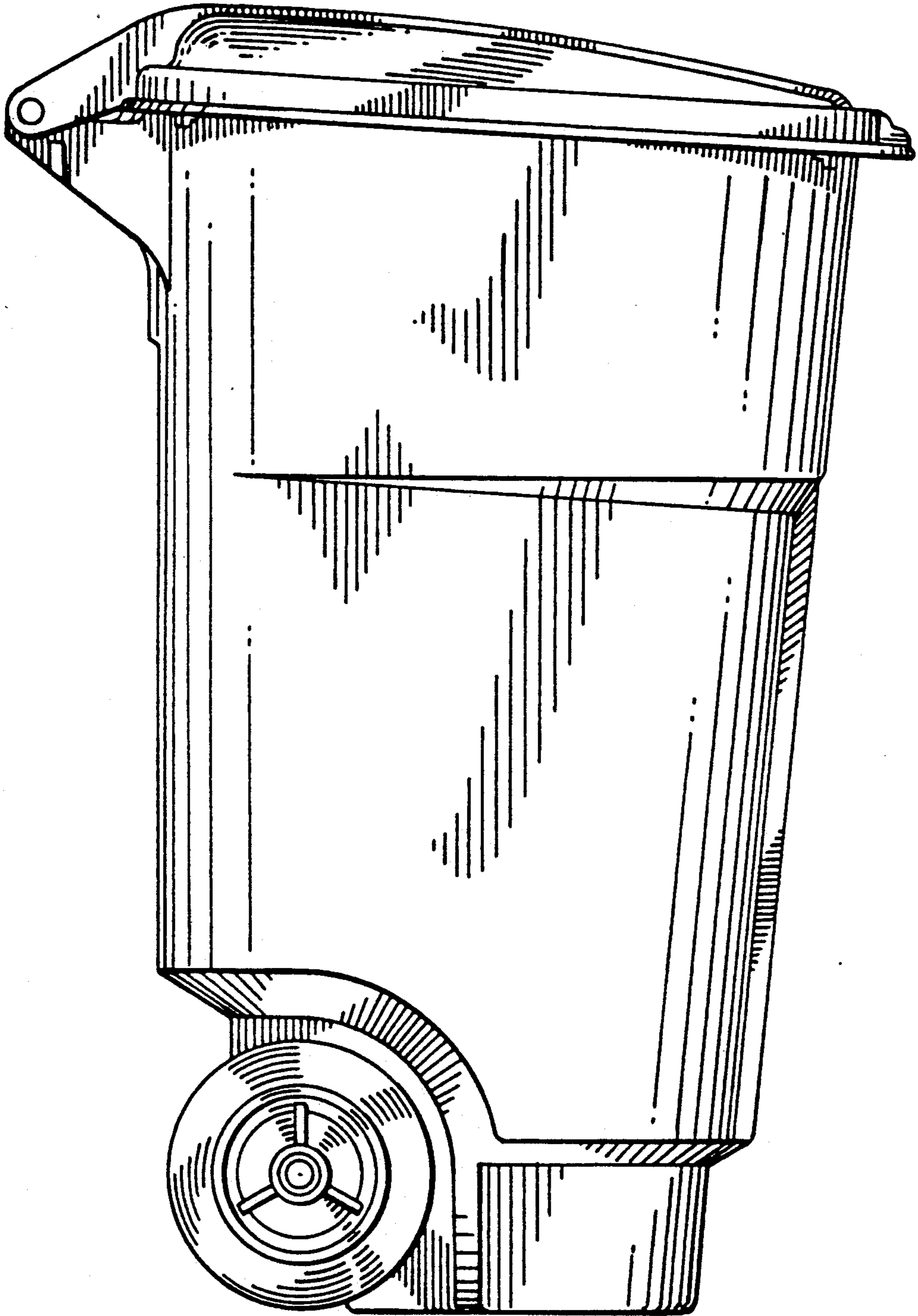


FIG. 4



*FIG. 5*

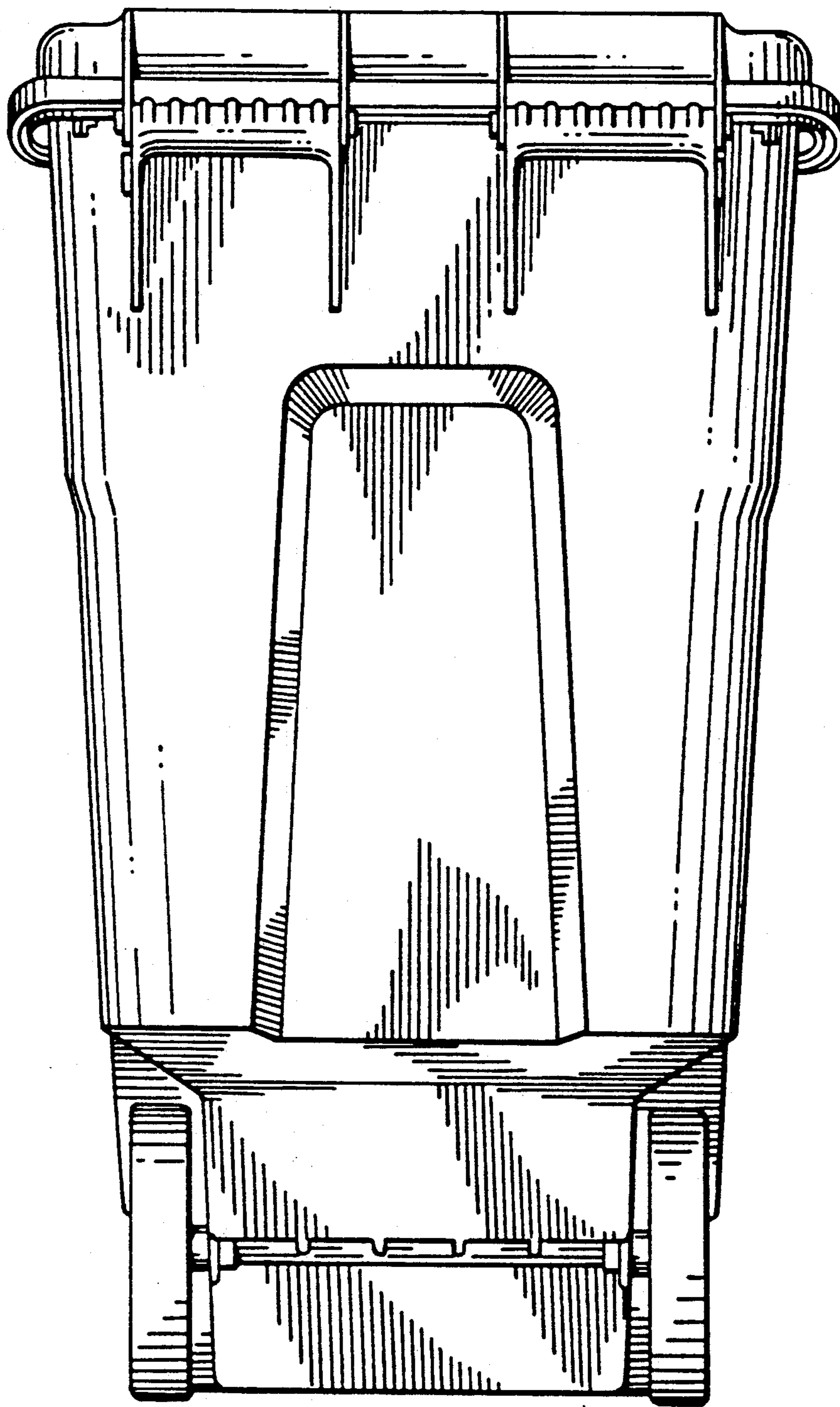
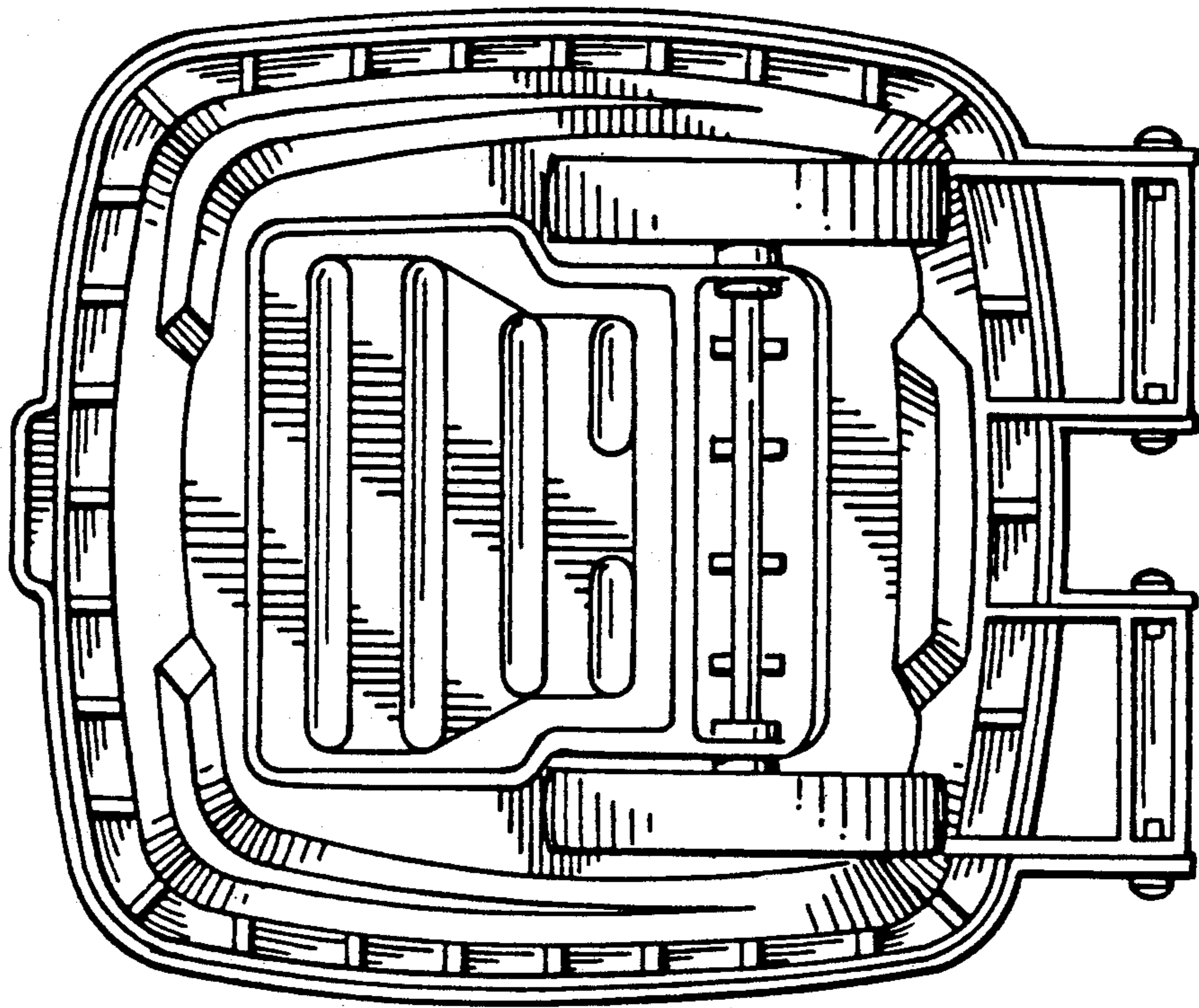


FIG. 6





*FIG. 7*