



US00D323906S

United States Patent [19]

Miranda et al.

[11] Patent Number: **Des. 323,906**

[45] Date of Patent: **** Feb. 11, 1992**

[54] WALL LAMP

[75] Inventors: **Santiago Miranda; Perry A. King,**
both of Milan, Italy

[73] Assignee: **Flos, S.p.A.,** Brescia, Italy

[**] Term: **14 Years**

[21] Appl. No.: **492,875**

[22] Filed: **Mar. 13, 1990**

[52] U.S. Cl. **D26/85**

[58] Field of Search **D26/72, 80-92;**
362/147, 404-408, 432

[56] **References Cited**

U.S. PATENT DOCUMENTS

D. 190,671	6/1961	Rambusch	D26/85
D. 288,247	2/1987	DeLucchi	D26/85
1,864,145	6/1932	Ohm	D26/85 X

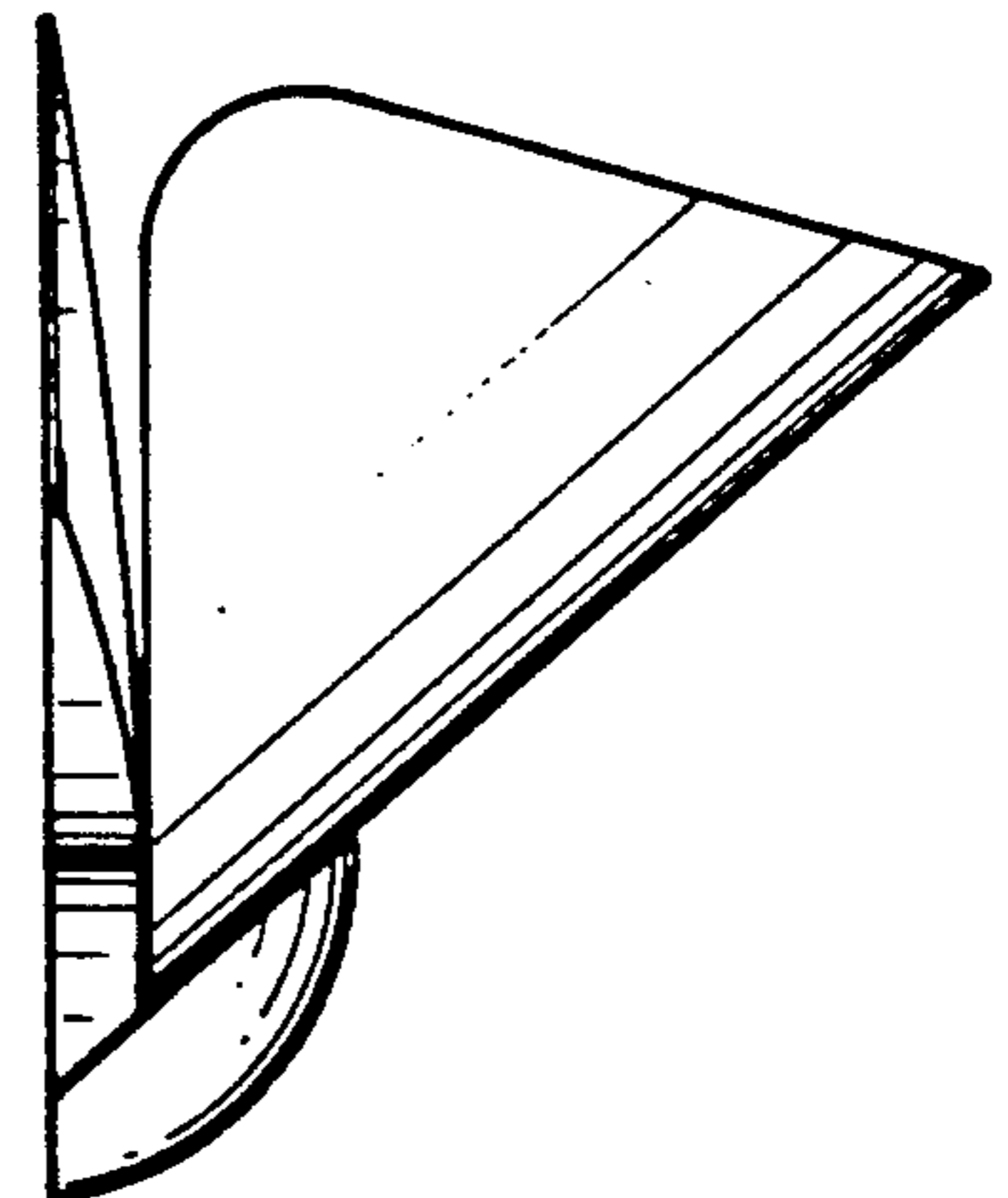
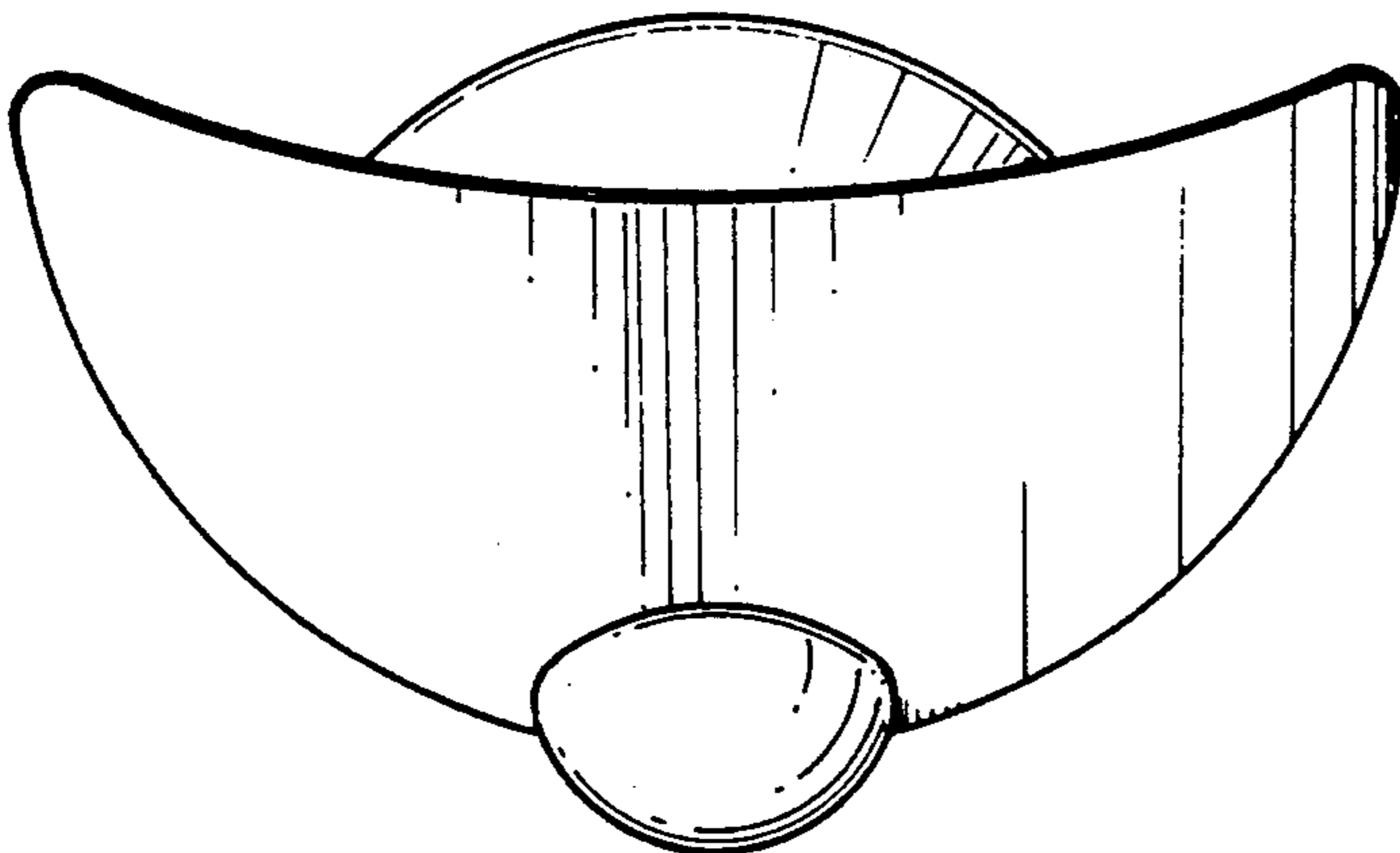
Primary Examiner—Susan J. Lucas
Attorney, Agent, or Firm—McGlew & Tuttle

[57] **CLAIM**

The ornamental design for a wall lamp, as shown and described.

DESCRIPTION

FIG. 1 is a front elevation view of a wall lamp showing our new design;
FIG. 2 is a side elevation view thereof;
FIG. 3 is a top plan view thereof;
FIG. 4 is a bottom plan view thereof; and
FIG. 5 is a rear elevation view thereof.



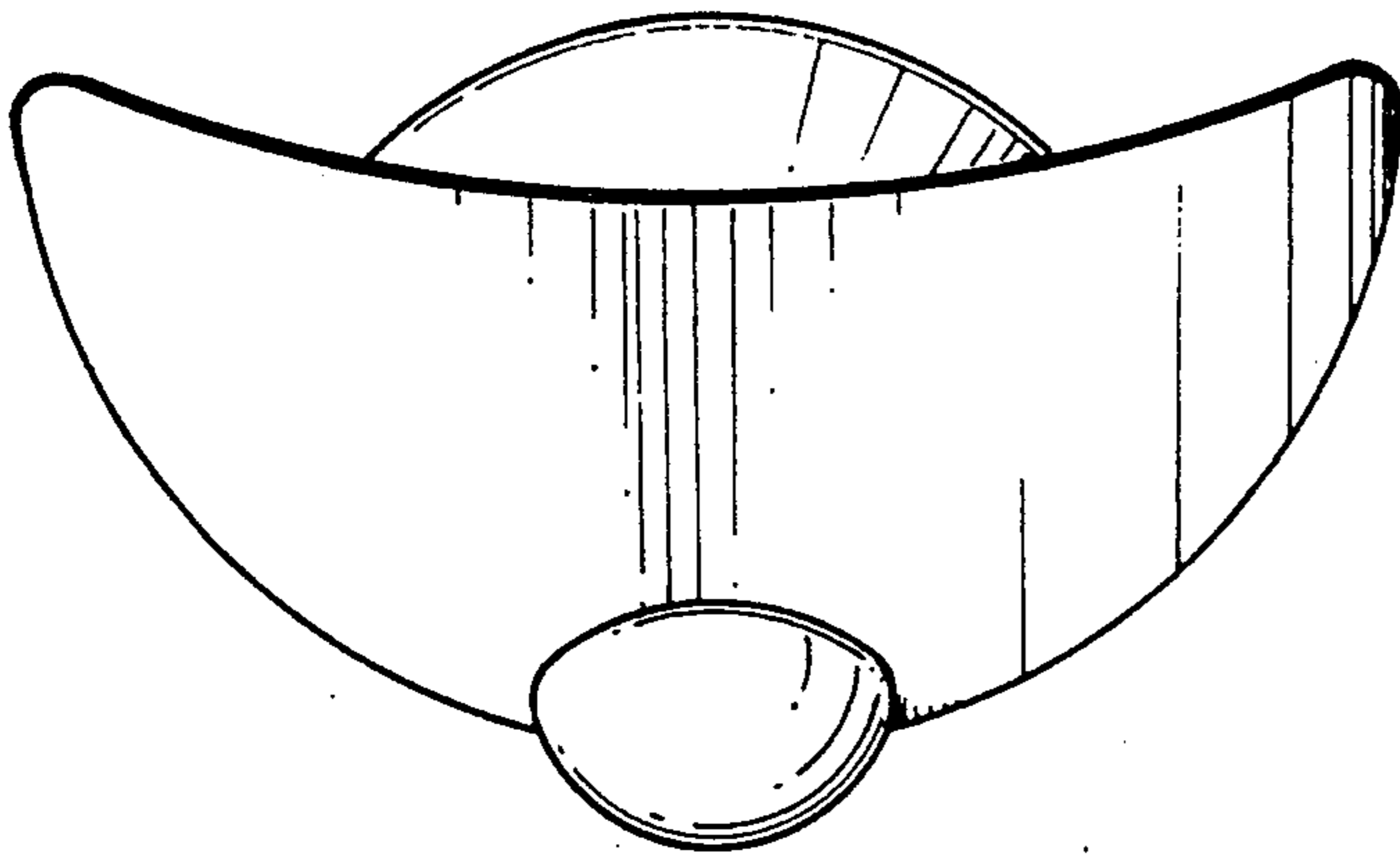


Fig. 1

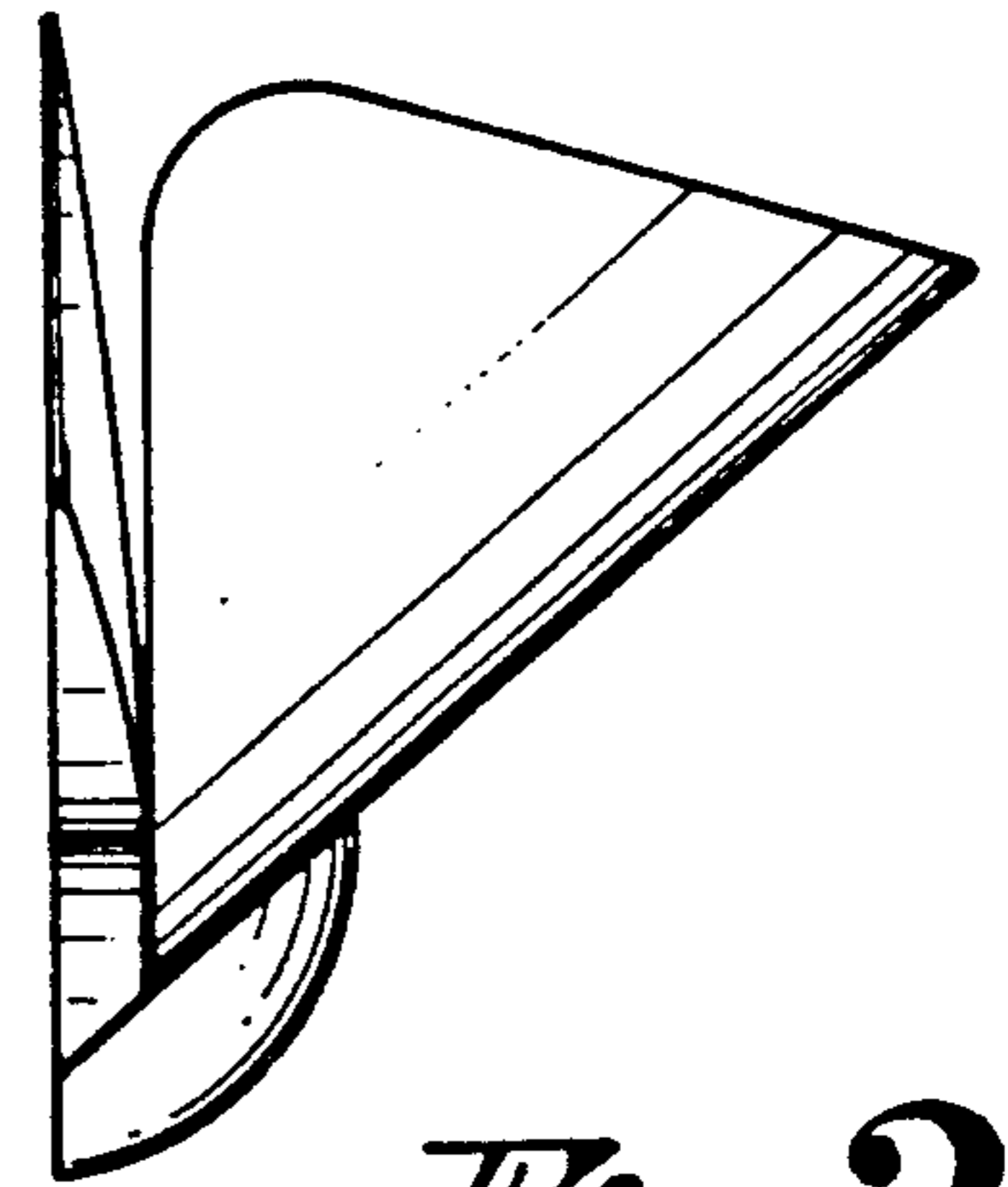


Fig. 2

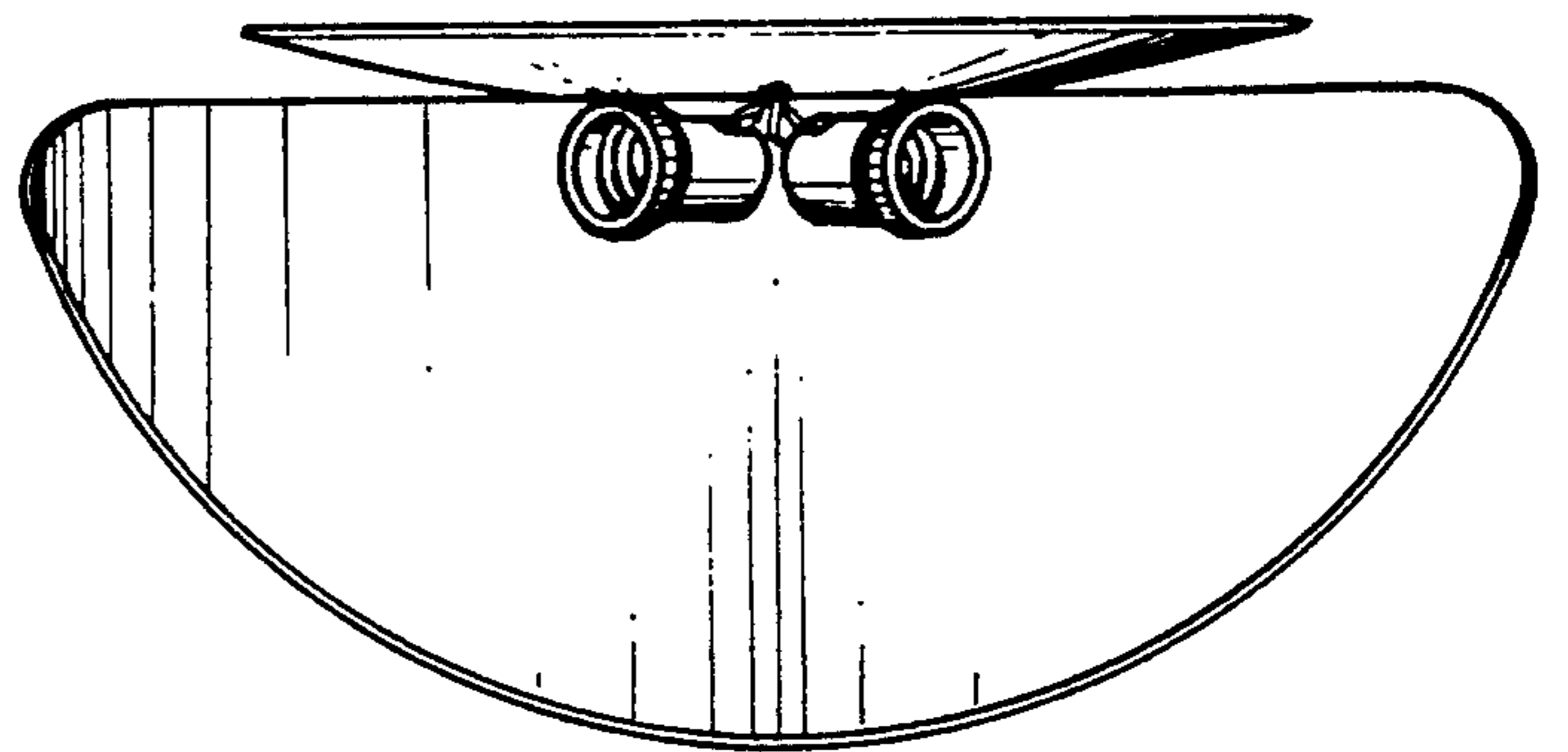


Fig. 3

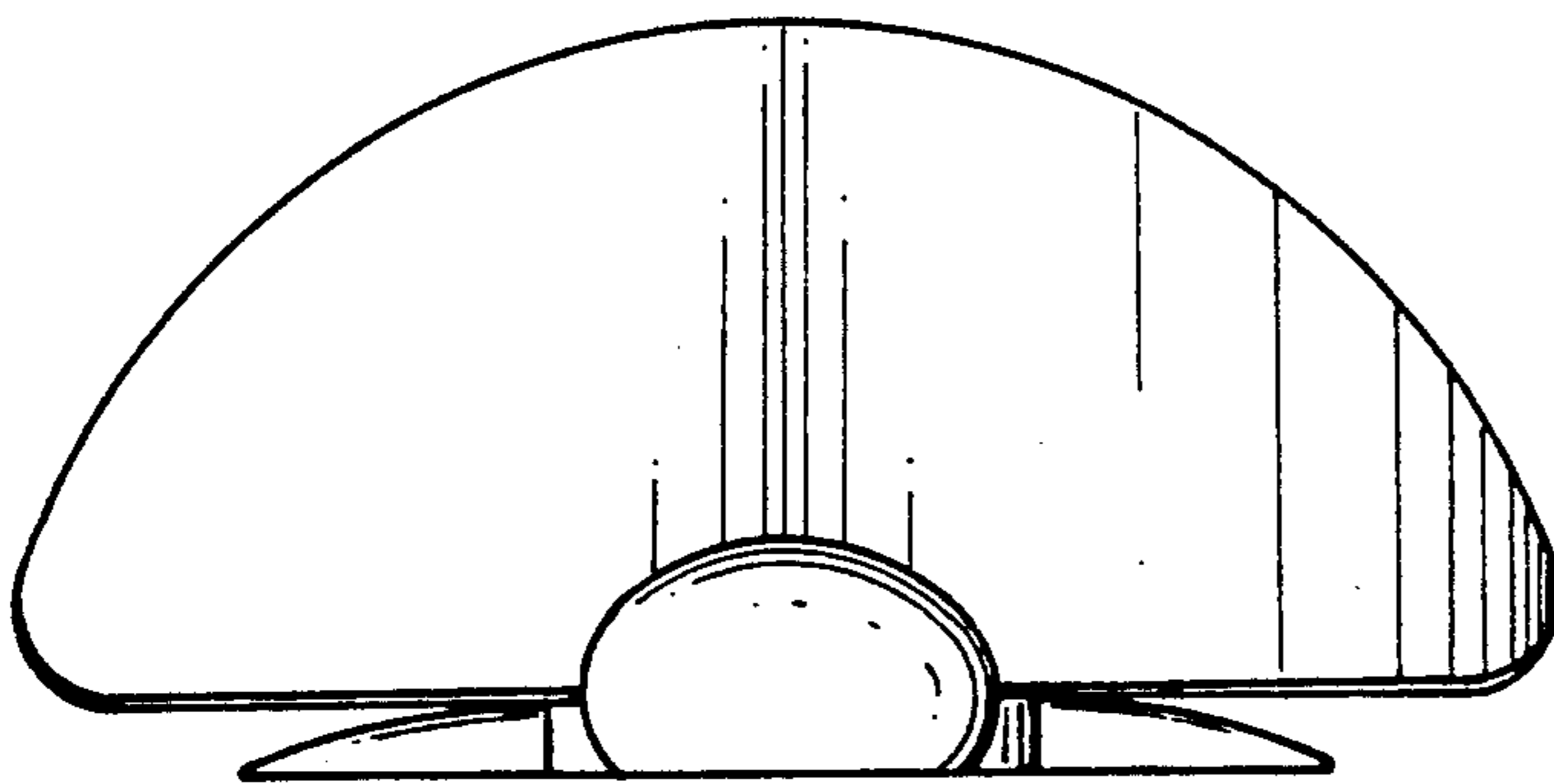


Fig. 4

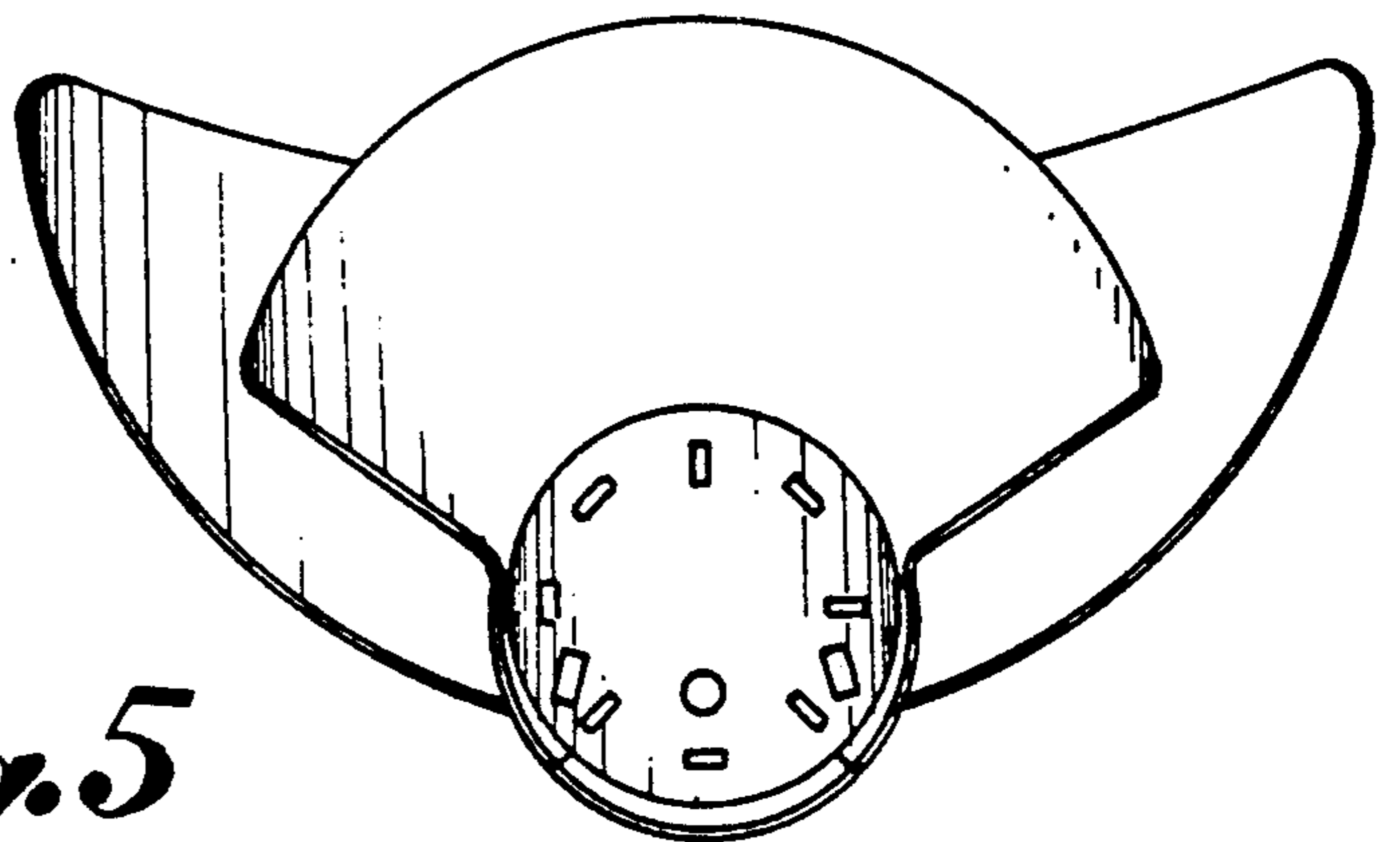


Fig. 5