



US00D323905S

United States Patent [19]

[11] Patent Number: Des. 323,905

von Kluck

[45] Date of Patent: ** Feb. 11, 1992

[54] WALL SCONCE

[75] Inventor: Kevin von Kluck, Western Springs, Ill.

[73] Assignee: Cooper Industries, Inc., Houston, Tex.

[**] Term: 14 Years

[21] Appl. No.: 432,278

[22] Filed: Nov. 6, 1989

[52] U.S. Cl. D26/85

[58] Field of Search D26/72, 80-92;
362/147, 404-408, 432, 362

[56] References Cited

U.S. PATENT DOCUMENTS

D. 124,018 12/1940 Davis D26/86
1,864,145 6/1932 Ohm D26/85 X

OTHER PUBLICATIONS

Architectural Lighting System, Inc. Light Bracket brochure, 1988, p. 2, wall sconce #271.

Visa Lighting brochure, 1987, p. 2, wall sconce #CB2000.

Primary Examiner—Susan J. Lucas

Attorney, Agent, or Firm—Eddie E. Scott; Alan R. Thiele; Hubert E. Cox

[57] CLAIM

The ornamental design for a wall sconce, as shown and described.

DESCRIPTION

FIG. 1 is a top, front perspective view of a wall sconce showing my new design;

FIG. 2 is a reversed bottom, front perspective view thereof;

FIG. 3 is a front elevational view thereof;

FIG. 4 is a top plan view thereof;

FIG. 5 is a rear elevational view thereof;

FIG. 6 is a bottom plan view thereof;

FIG. 7 is a left side elevational view thereof;

FIG. 8 is a right side elevational view thereof;

FIG. 9 is a front elevational view of a second embodiment of my new design;

FIG. 10 is a rear elevational view thereof;

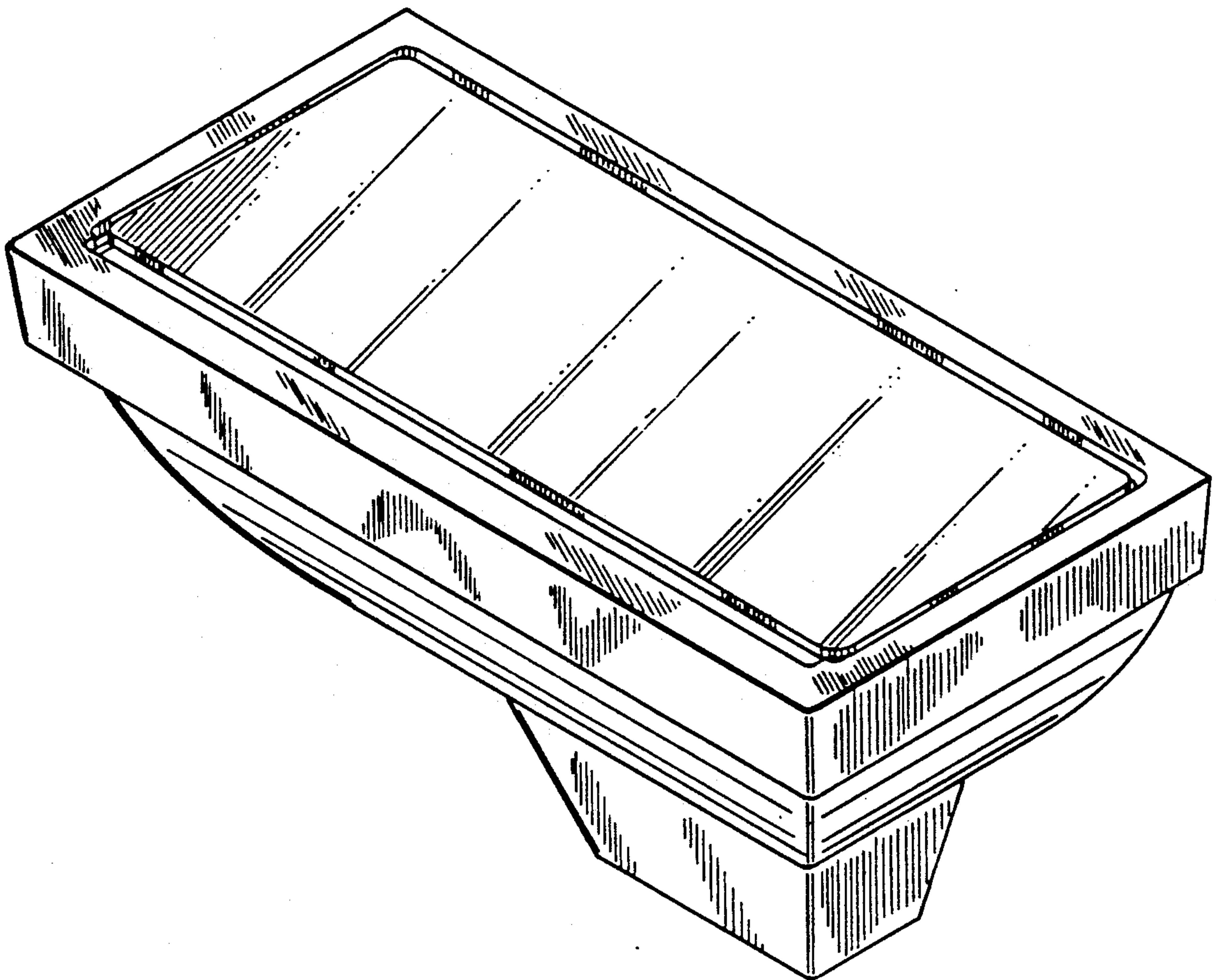
FIG. 11 is a bottom plan view thereof;

FIG. 12 is a right side elevational view thereof;

FIG. 13 is a left side elevational view thereof; and

FIG. 14 is a fragmentary, reversed bottom perspective view thereof.

The bottom element on the sconce is shaded with oblique lines to indicate translucency.



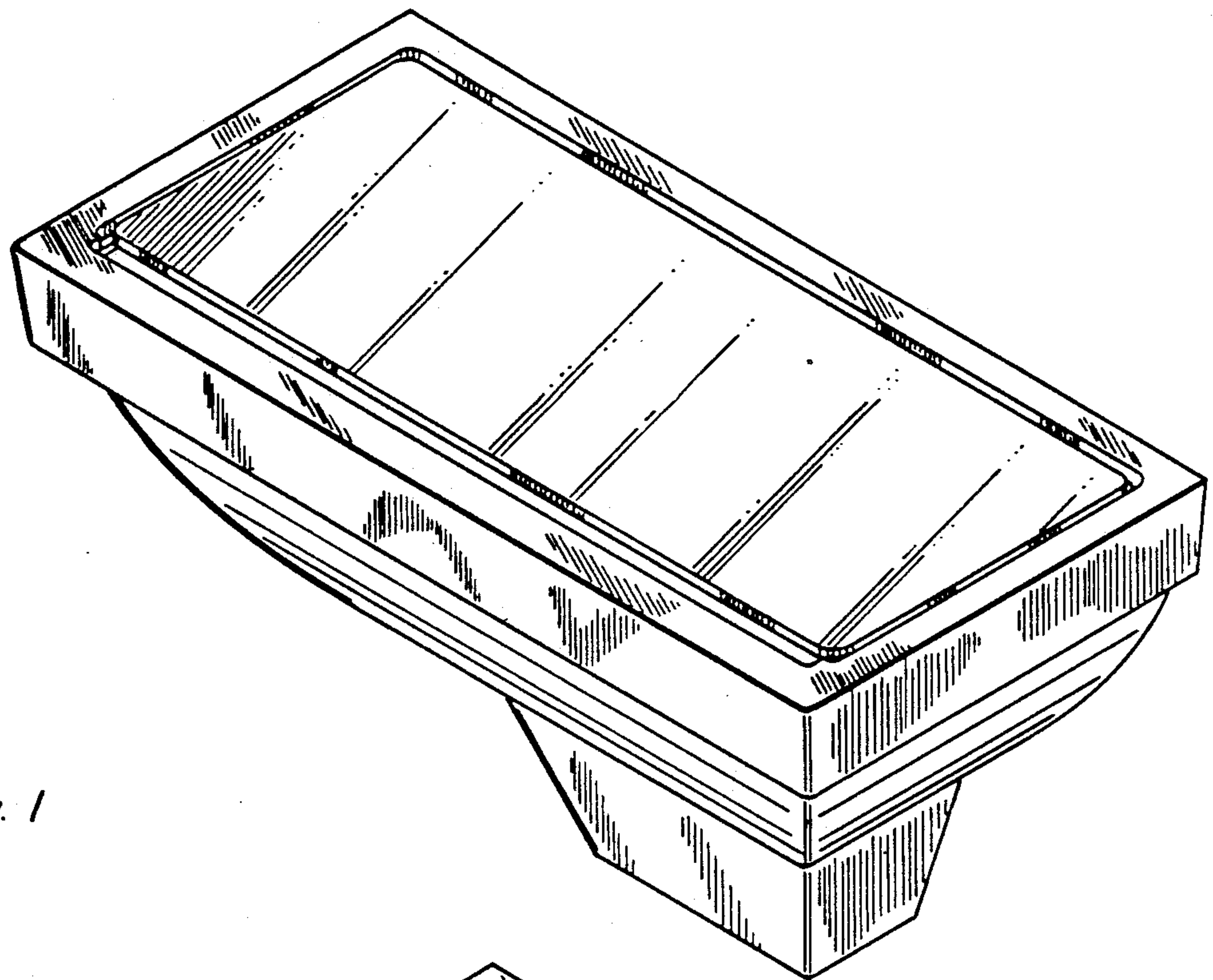


Fig. 1

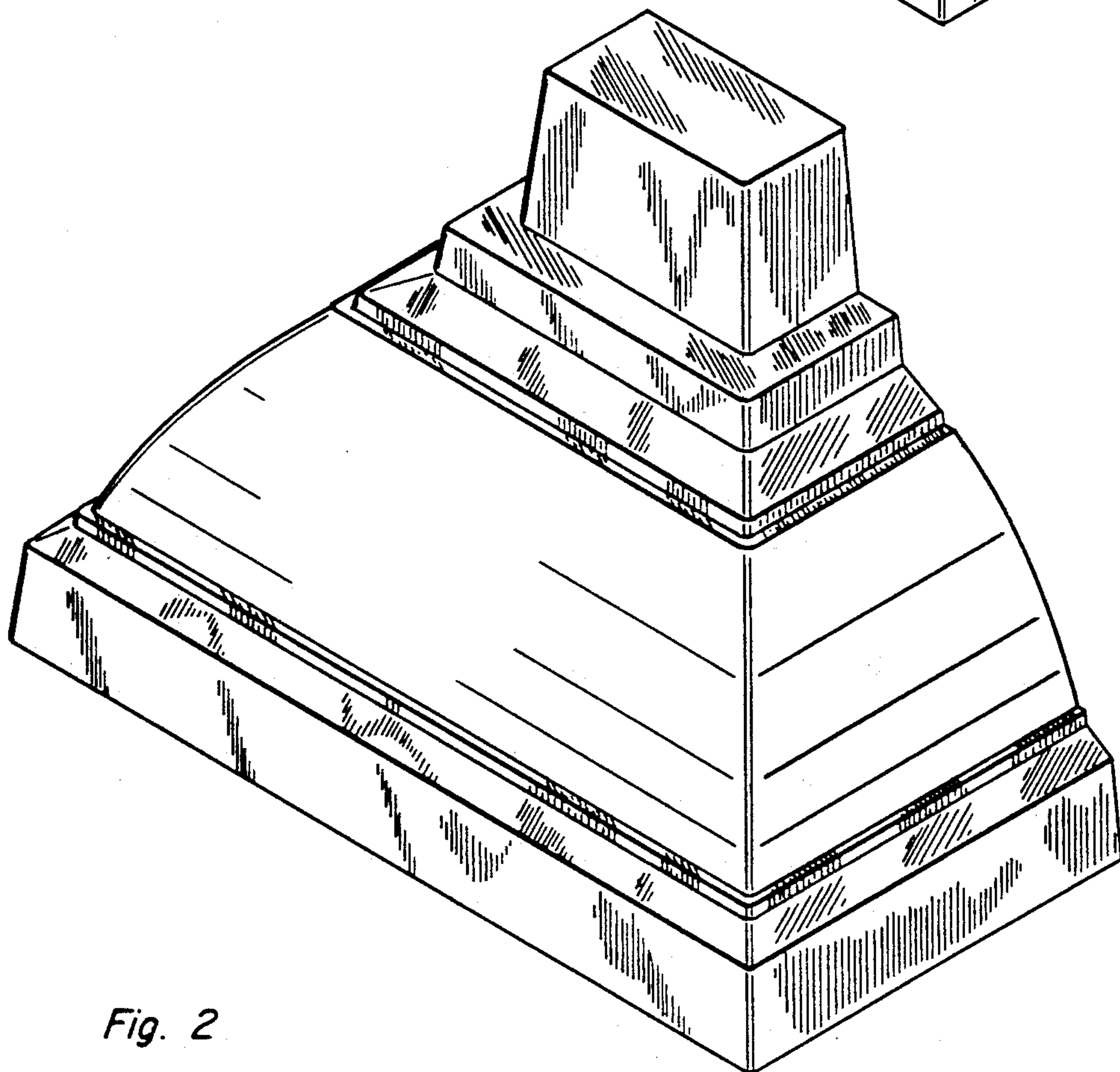


Fig. 2

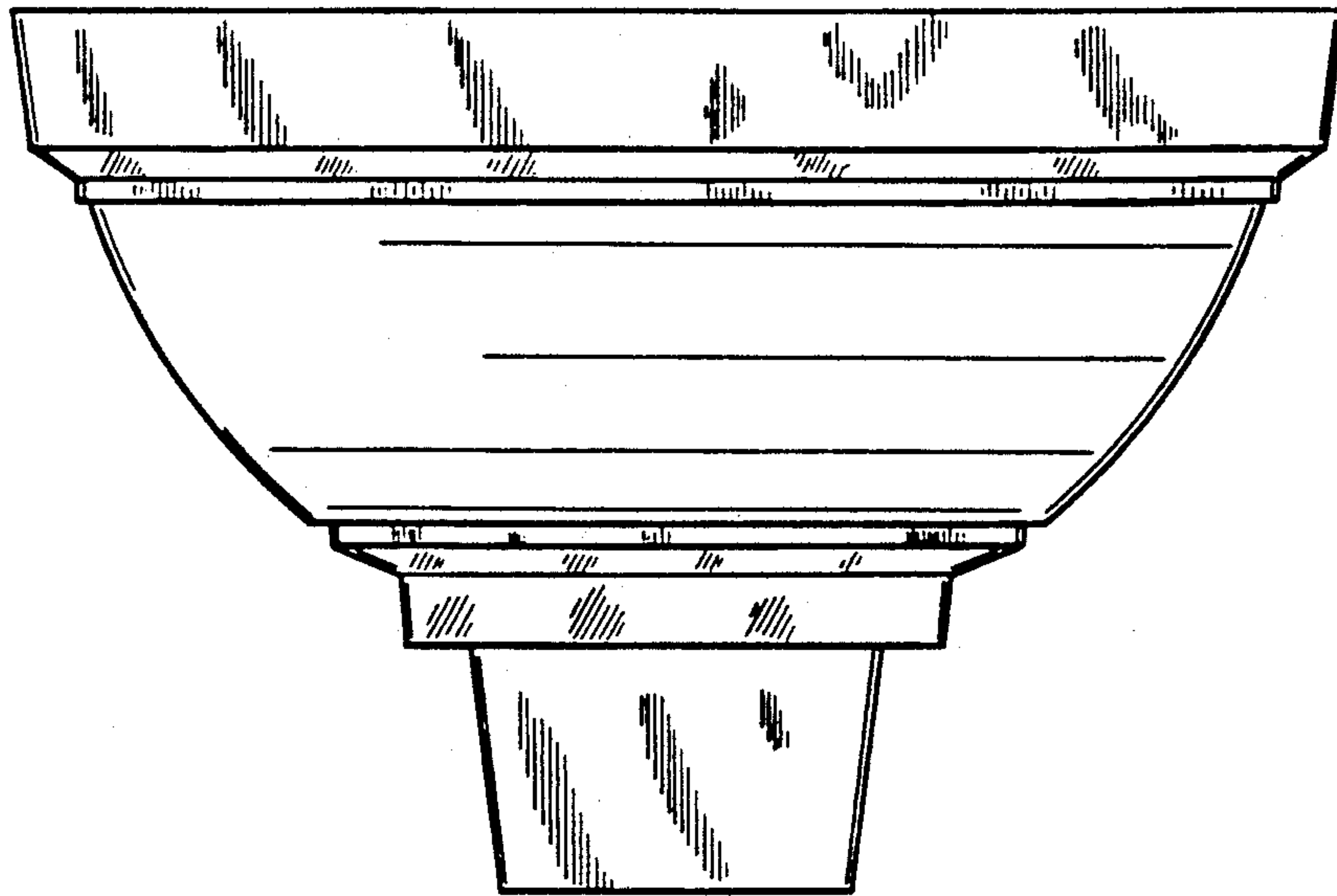


Fig. 3

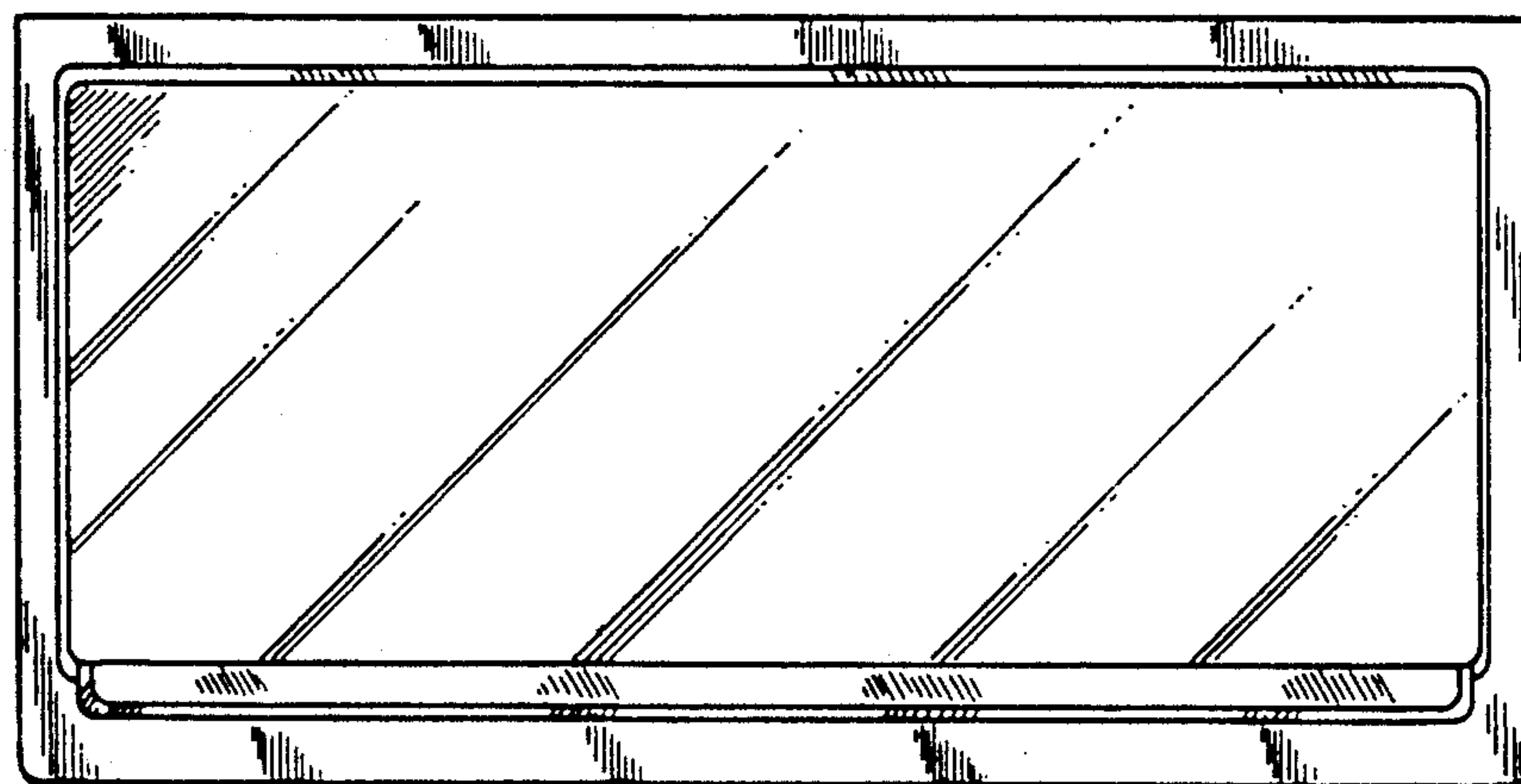


Fig. 4

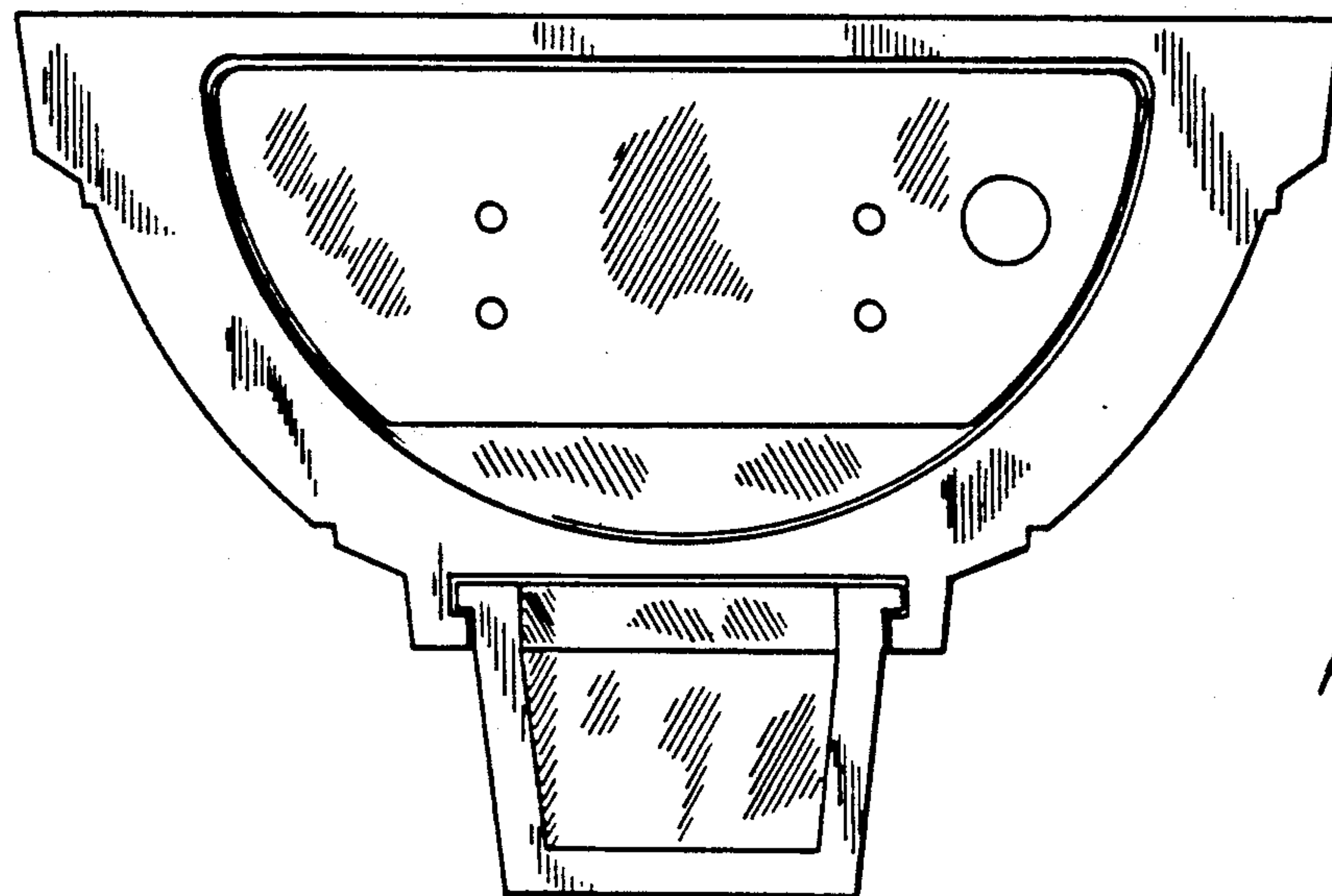


Fig. 5

Fig. 6

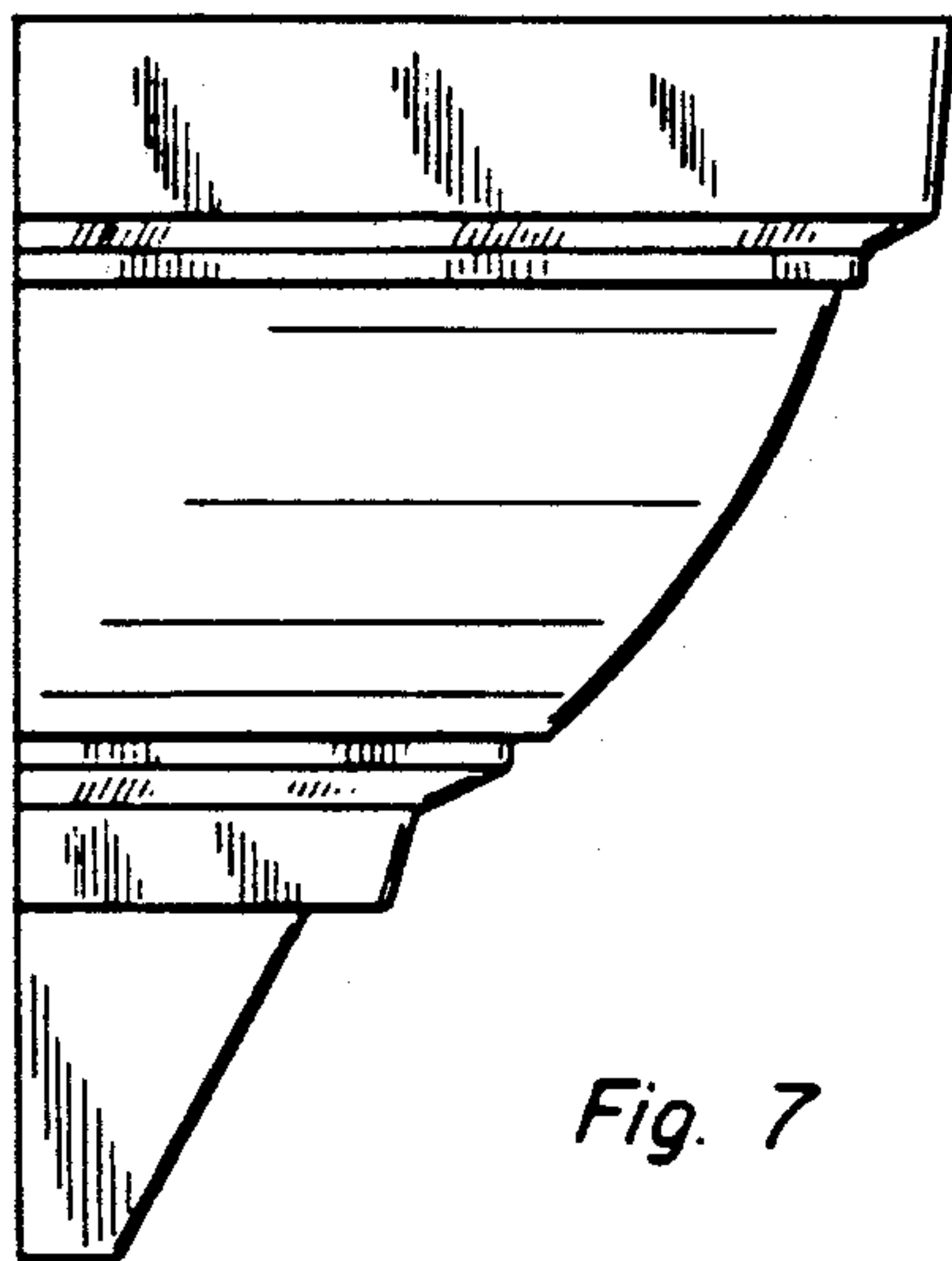
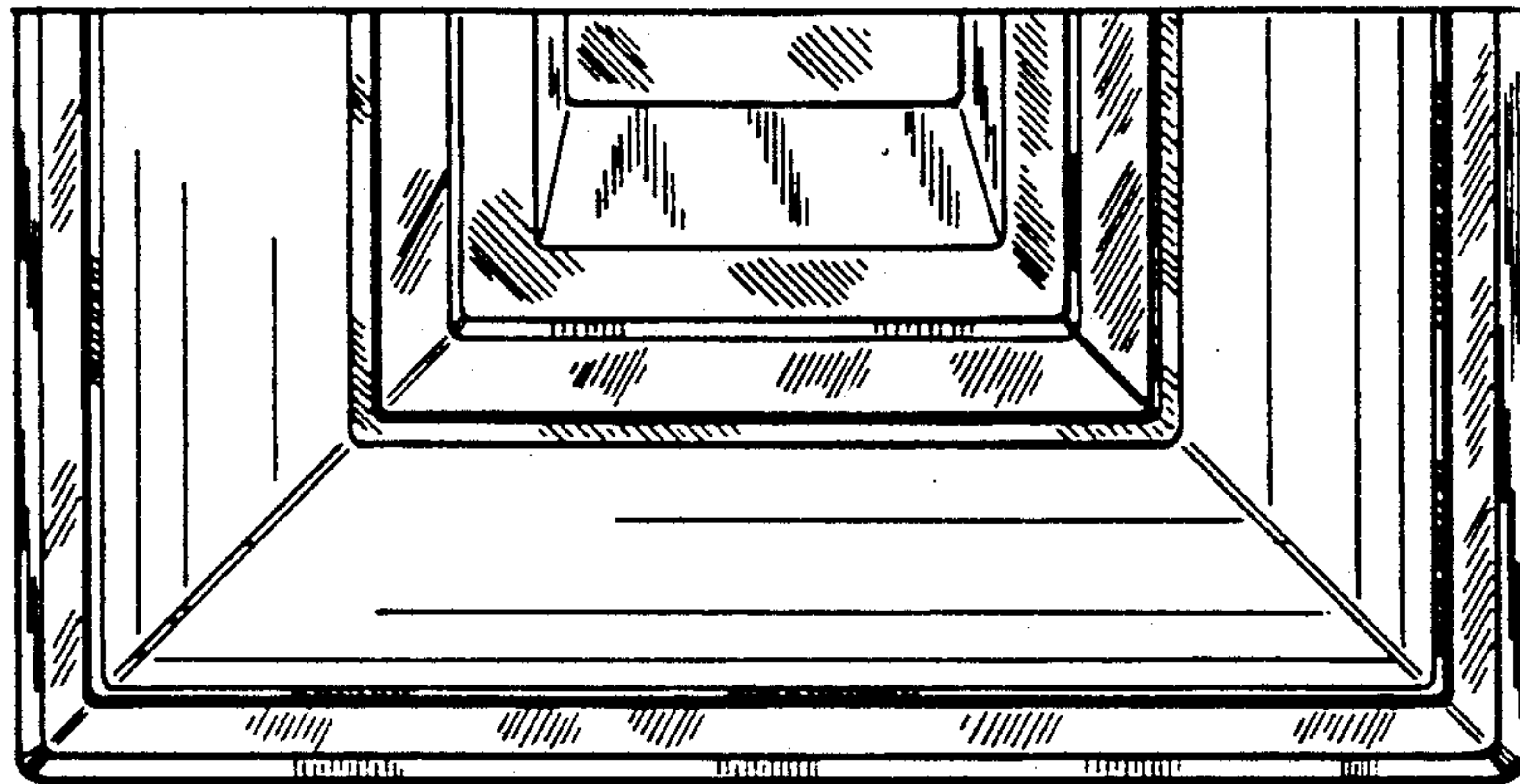


Fig. 7

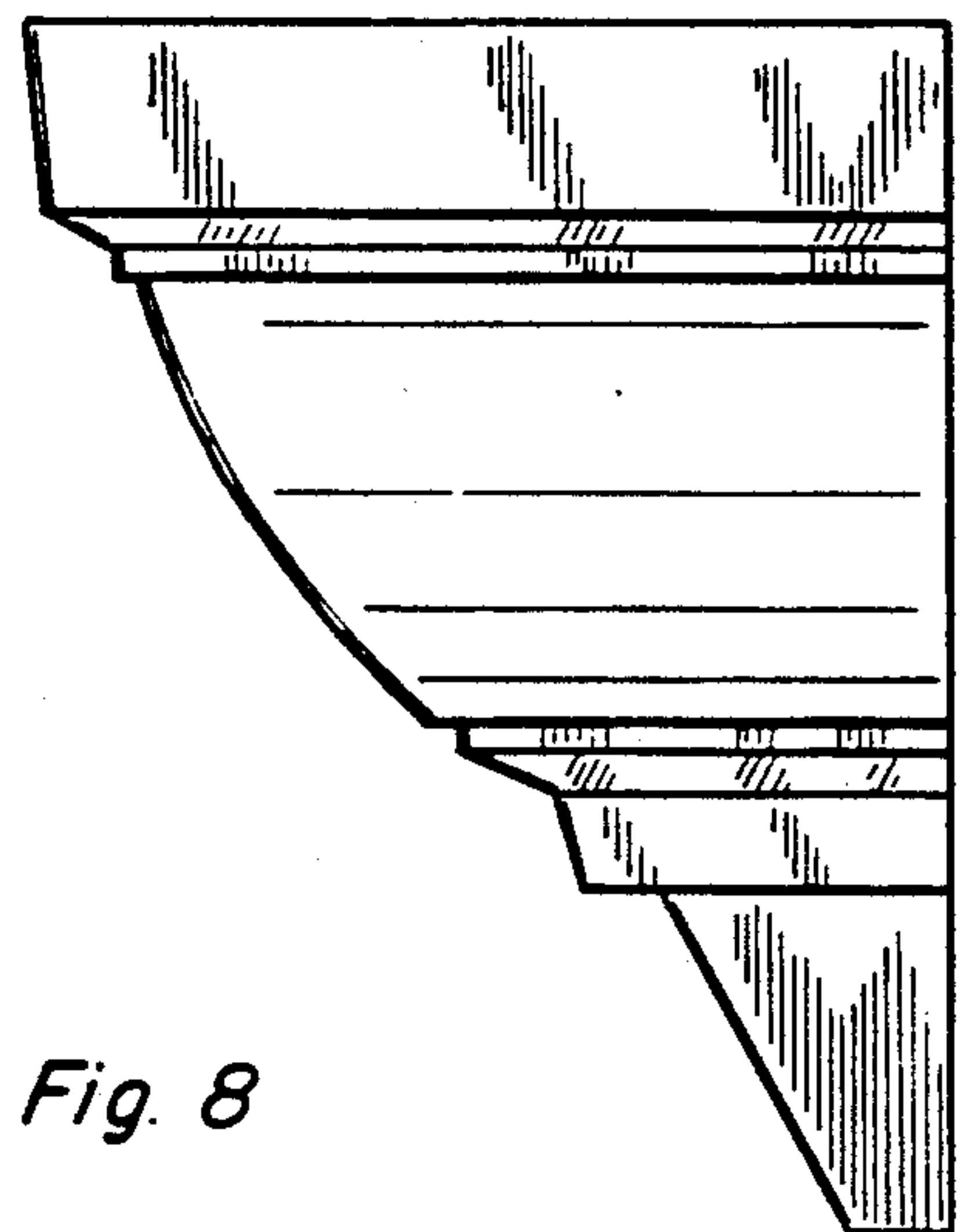


Fig. 8

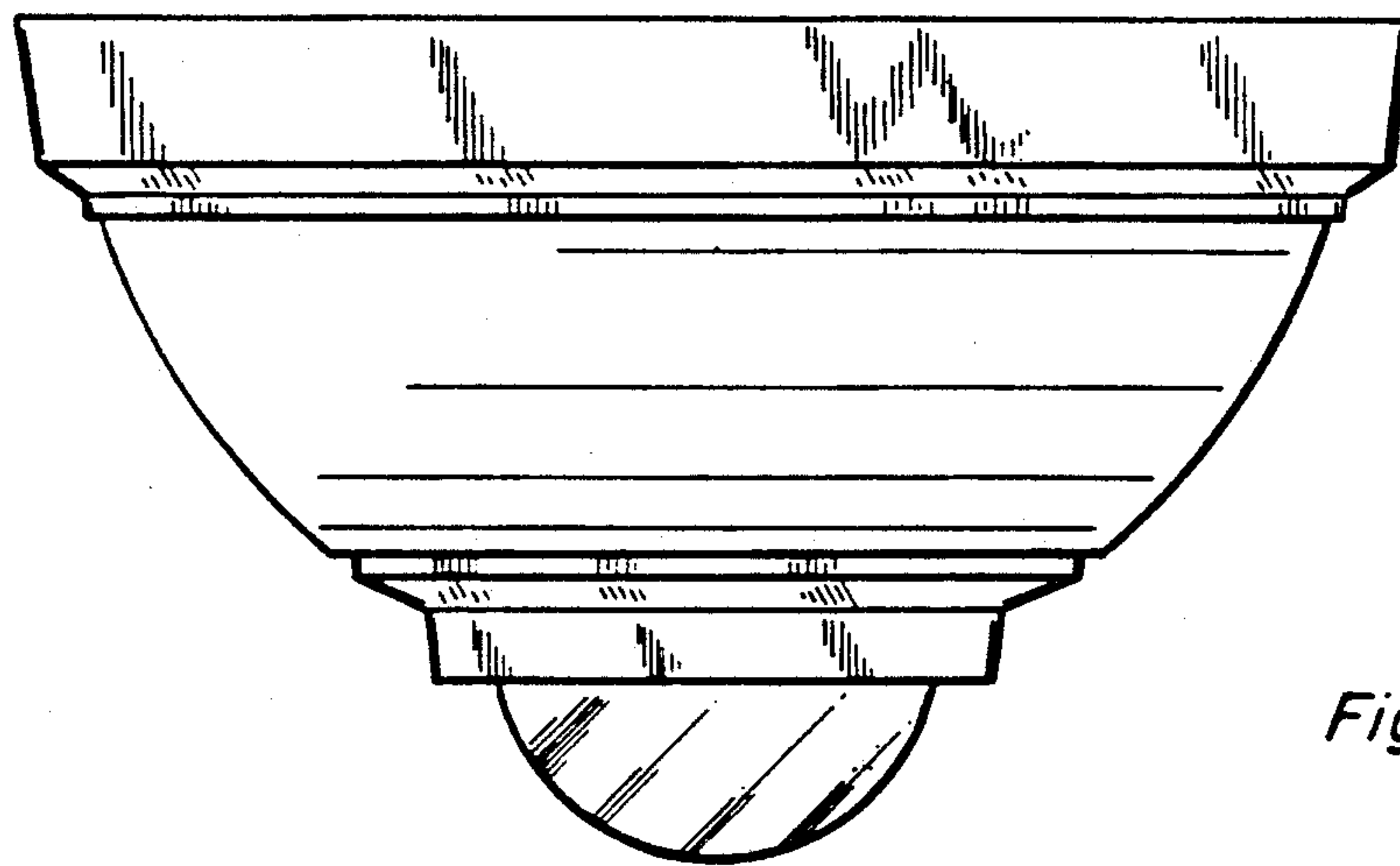


Fig. 9

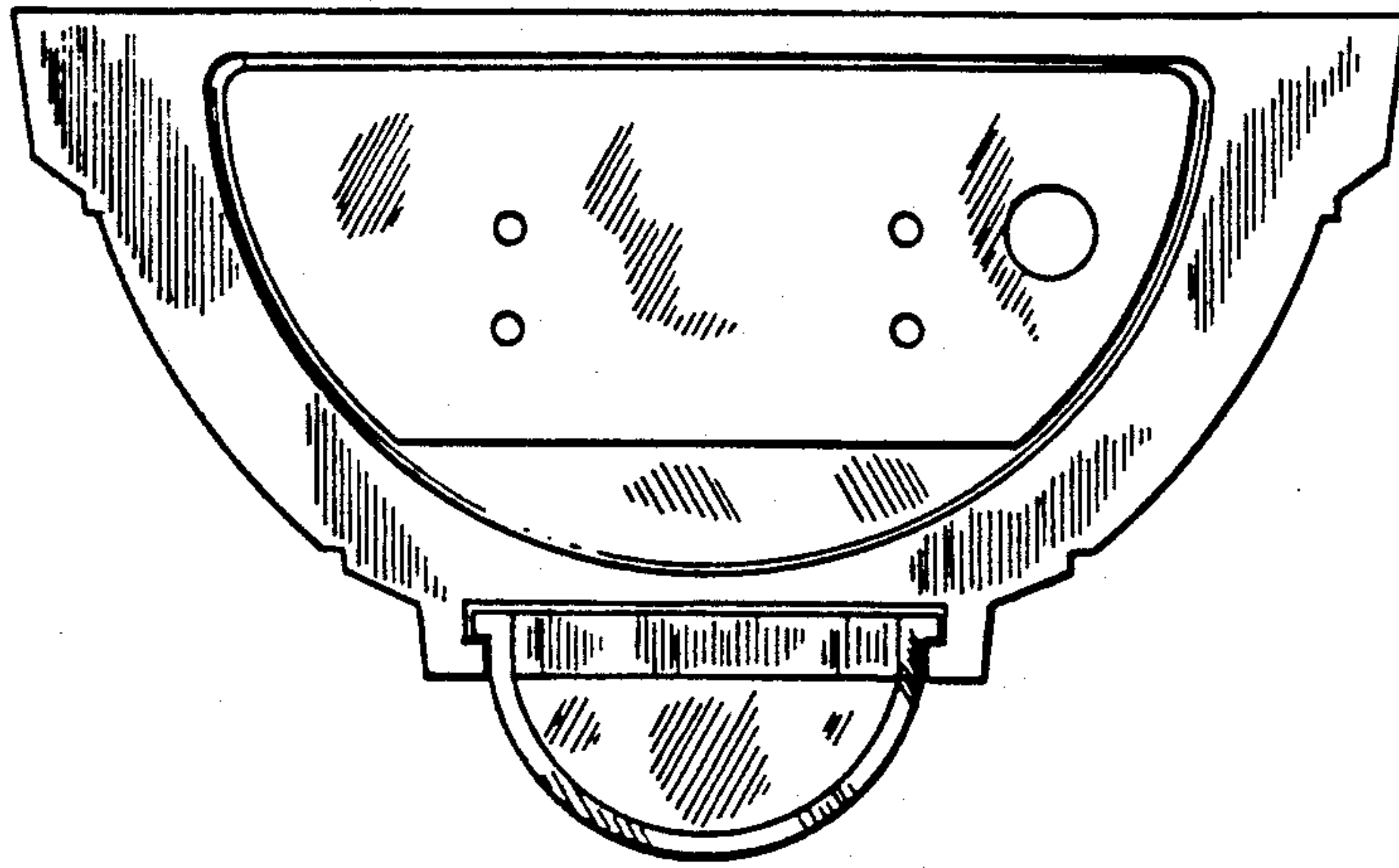


Fig. 10

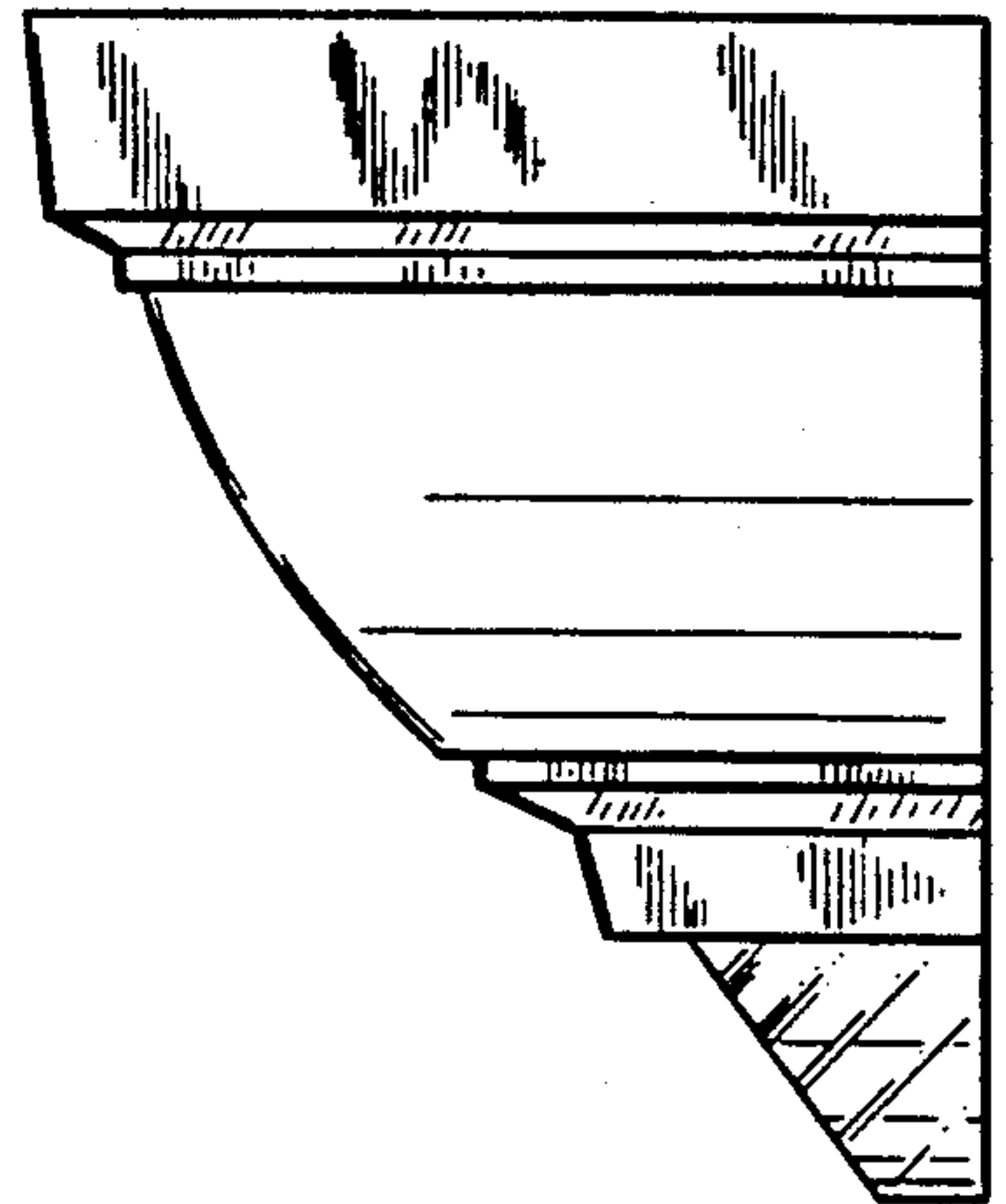


Fig. 12

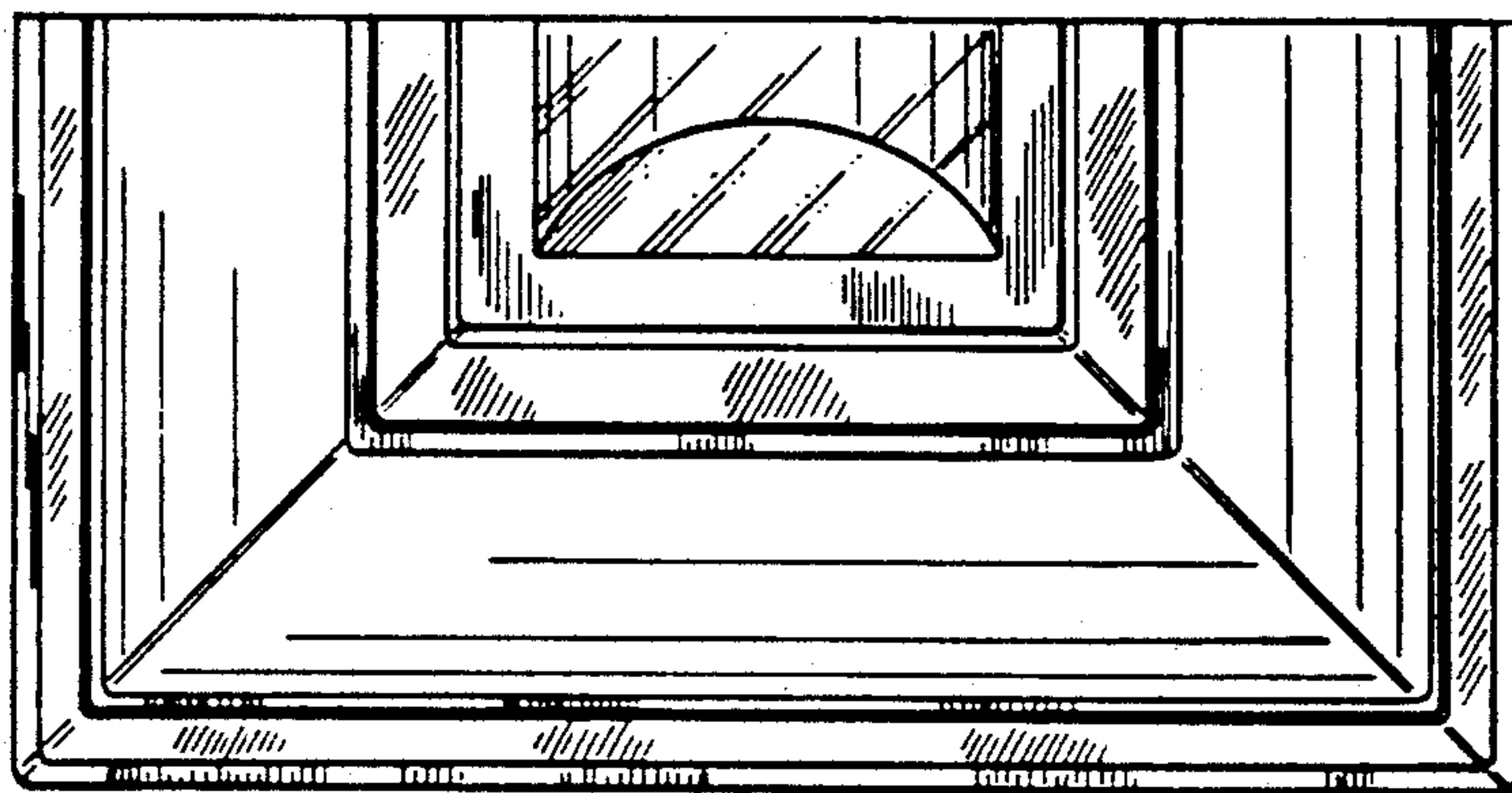


Fig. 11

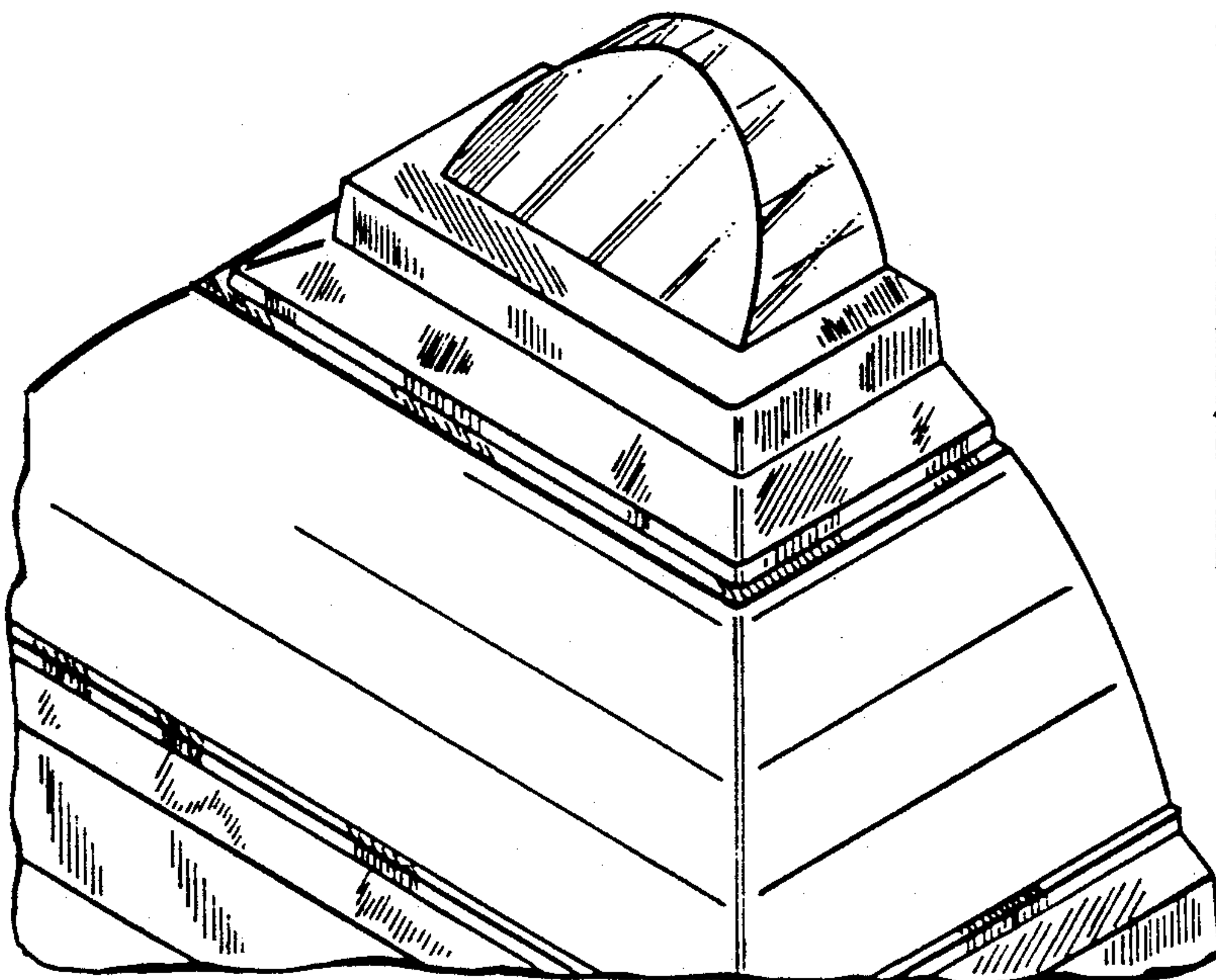


Fig. 14

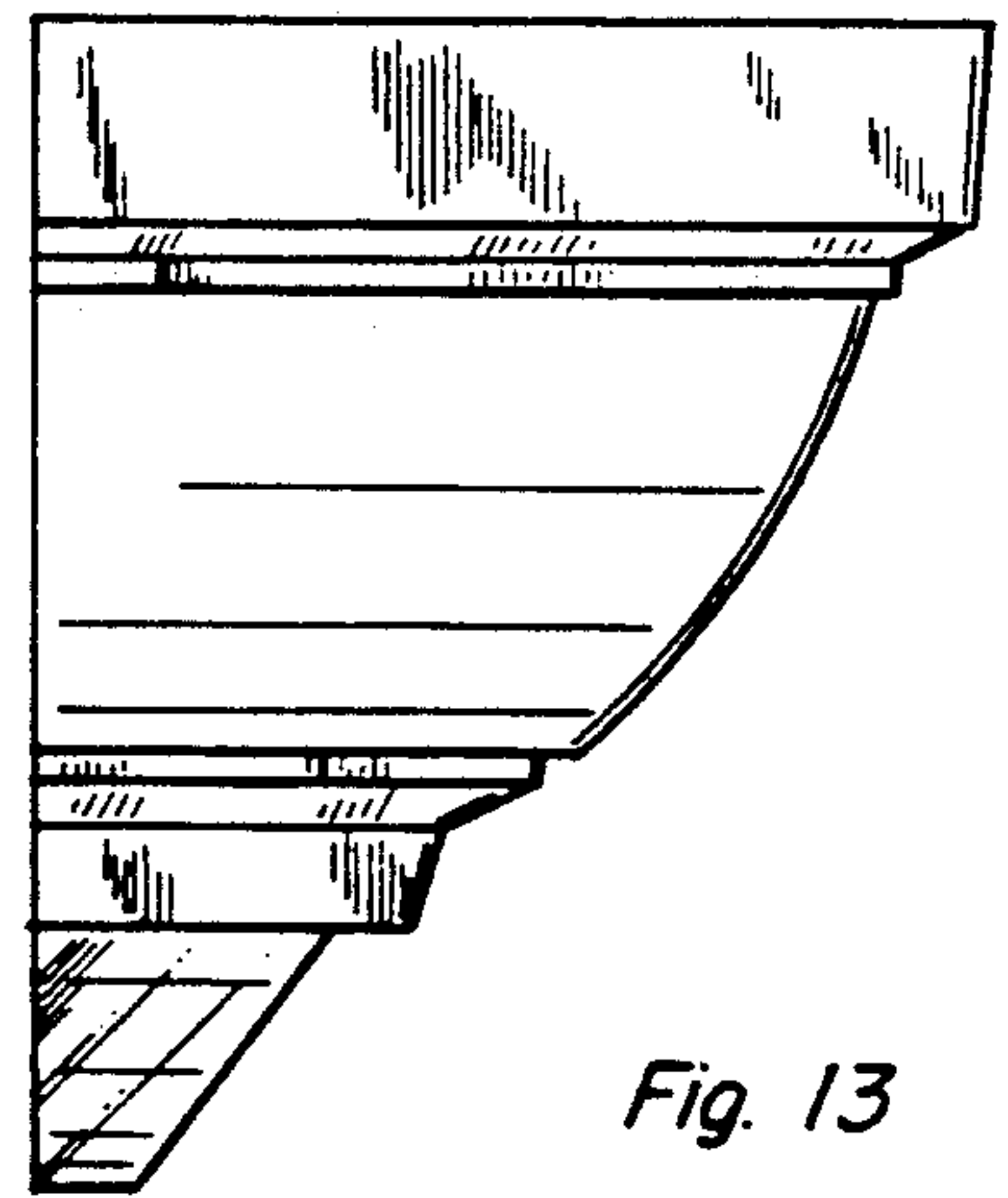


Fig. 13